



US00D642006S

(12) **United States Design Patent**
Seymour

(10) **Patent No.:** **US D642,006 S**
(45) **Date of Patent:** **** Jul. 26, 2011**

(54) **POPCORN POPPER**

(75) Inventor: **Justun C. Seymour**, Eau Claire, WI (US)

(73) Assignee: **National Presto Industries, Inc.**, Eau Claire, WI (US)

(**) Term: **14 Years**

(21) Appl. No.: **29/384,290**

(22) Filed: **Jan. 28, 2011**

(51) **LOC (9) Cl.** **31-00**

(52) **U.S. Cl.** **D7/325**

(58) **Field of Classification Search** D7/323–331, D7/339, 346–347, 350.1–350.4, 353–367, D7/391, 393, 395, 402, 406, 538, 542, 665; 99/323.5–323.9, 324–325, 331–332, 337–340, 99/369, 400–418, 422, 425, 444, 483; 126/37 R, 126/261, 374.1, 378.1; 206/501–505, 507–508; 219/400, 405, 429–442, 620–624, 725, 730–735; 220/203.05, 203.07, 203.09, 298, 315–316, 220/573.1–573.5, 912

See application file for complete search history.

(56) **References Cited**

U.S. PATENT DOCUMENTS

D193,260 S *	7/1962	Dewenter	D7/665
4,152,974 A	5/1979	Tienor	
D256,019 S	7/1980	Boldt et al.	
D259,385 S *	6/1981	Levin	D7/325
D260,649 S *	9/1981	Wongergem	D7/325
D262,426 S *	12/1981	Bluestein et al.	D7/325

D279,070 S	6/1985	Morrison	
D279,448 S *	7/1985	Spoeth, Jr.	D7/325
4,702,158 A *	10/1987	Ishihara	99/323.5
D294,673 S *	3/1988	Solomon	D7/325
4,748,903 A *	6/1988	Fereshetian	99/340
D298,202 S *	10/1988	Levin	D7/325
D317,238 S *	6/1991	Busick et al.	D7/325
D338,800 S *	8/1993	Duquaine et al.	D7/325
5,397,879 A	3/1995	Geissler	
D360,102 S	7/1995	Geissler et al.	
D361,918 S *	9/1995	Cesaroni et al.	D7/325
5,501,139 A *	3/1996	Lee	99/323.9
D615,797 S	5/2010	Berge et al.	

* cited by examiner

Primary Examiner — Ricky Pham

(74) *Attorney, Agent, or Firm* — Patterson Thunte Christensen Pedersen, P.A.

(57) **CLAIM**

The ornamental design for a popcorn popper, as shown and described.

DESCRIPTION

FIG. 1 is a front, perspective view of a popcorn popper according to an embodiment of the invention.

FIG. 2 is a left side view of the popcorn popper of FIG. 1.

FIG. 3 is a right side view of the popcorn popper of FIG. 1.

FIG. 4 is a front view of the popcorn popper of FIG. 1.

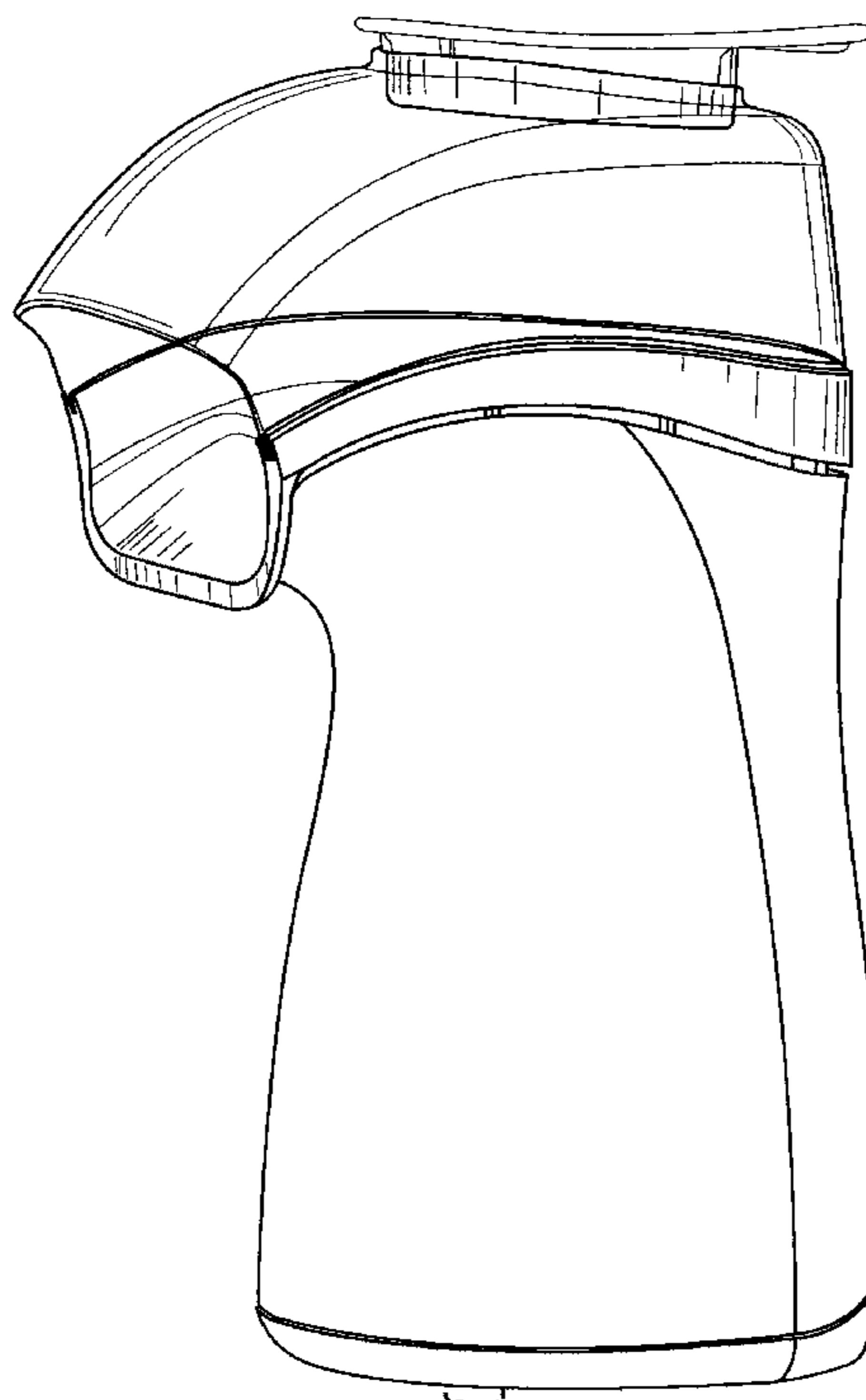
FIG. 5 is a rear view of the popcorn popper of FIG. 1.

FIG. 6 is a top view of the popcorn popper of FIG. 1; and,

FIG. 7 is a bottom view of the popcorn popper of FIG. 1.

Items shown in broken lines are for illustrative purposes only and form no part of the claimed invention.

1 Claim, 7 Drawing Sheets



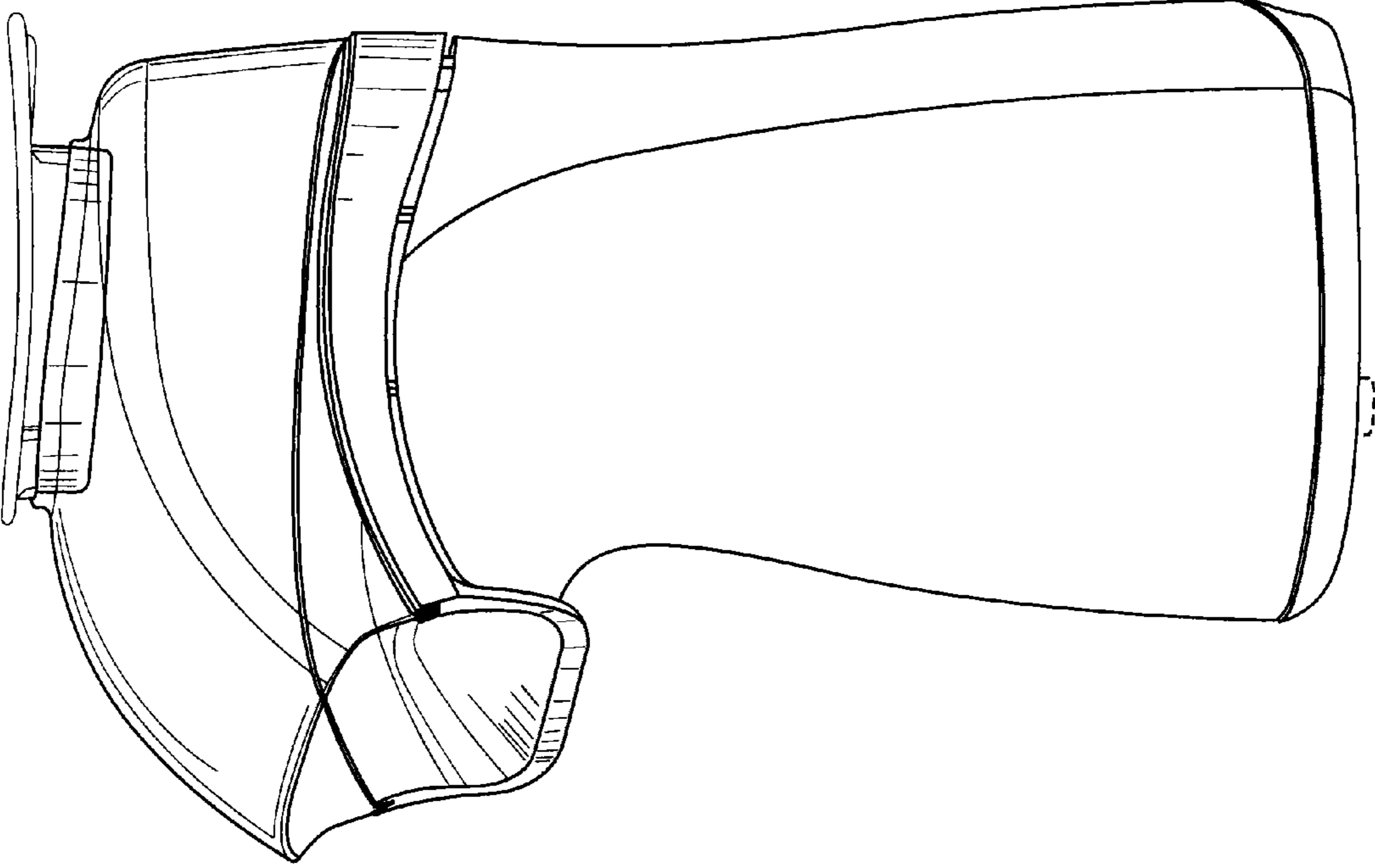


Fig. 1

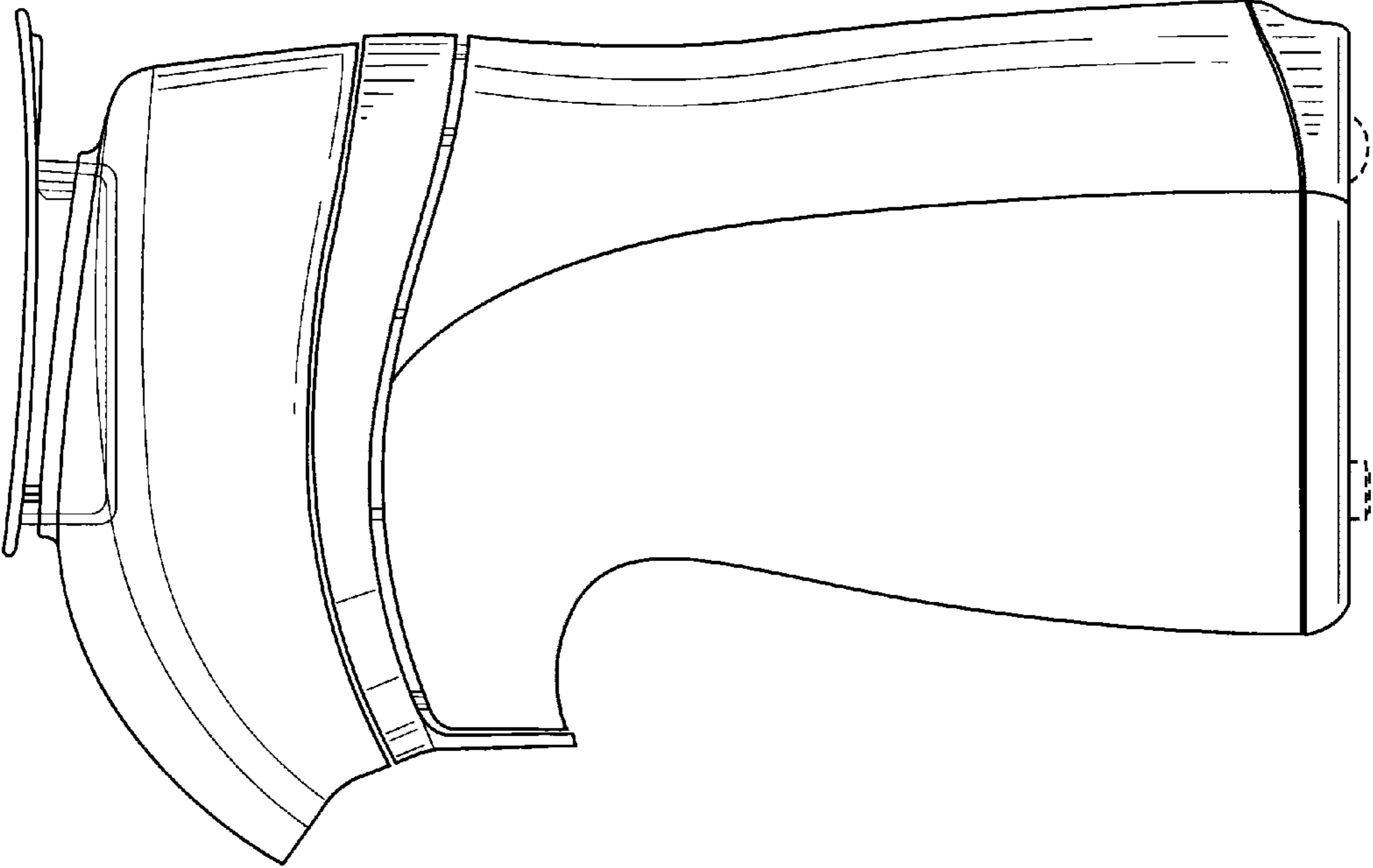


Fig. 2

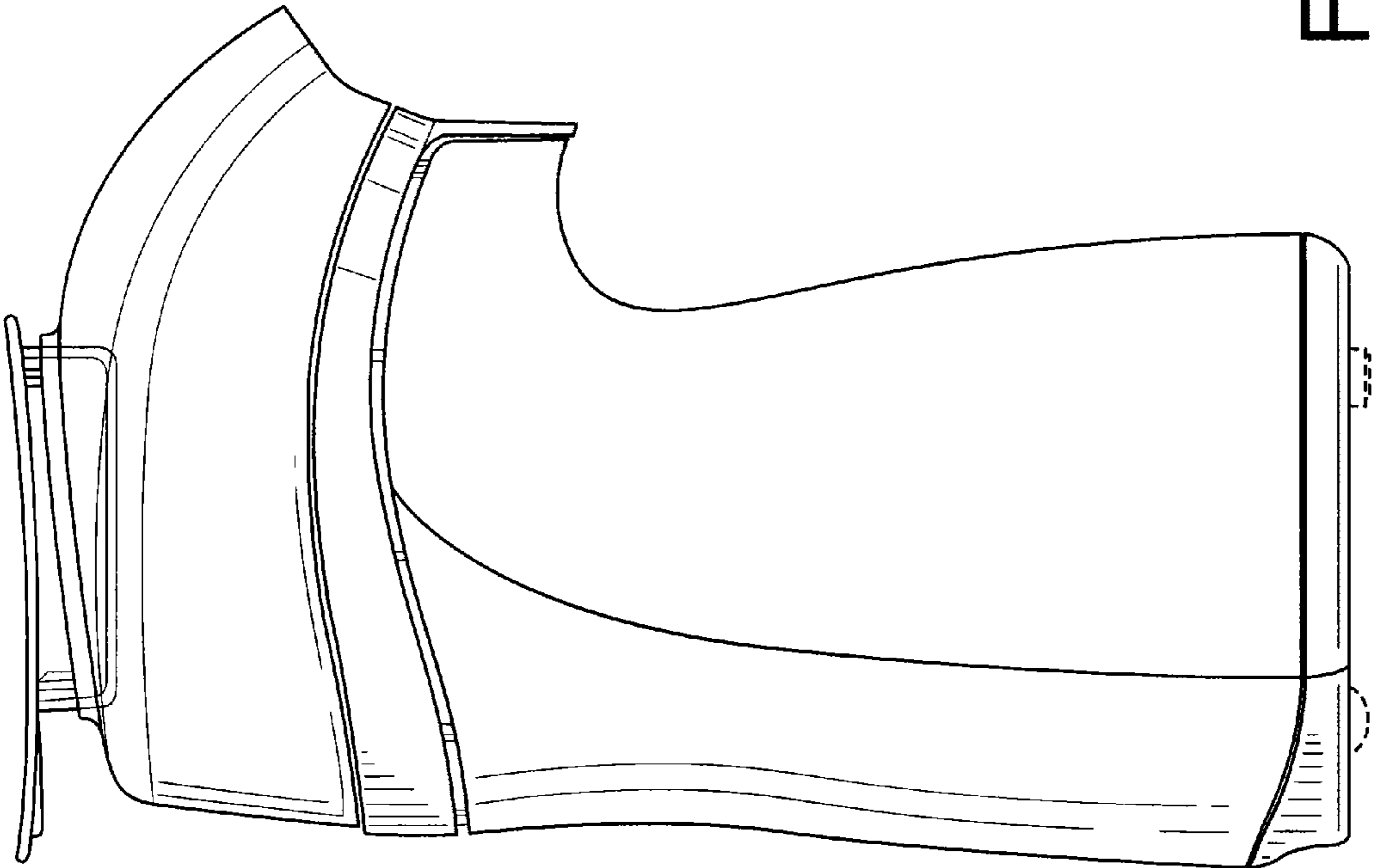


Fig. 3

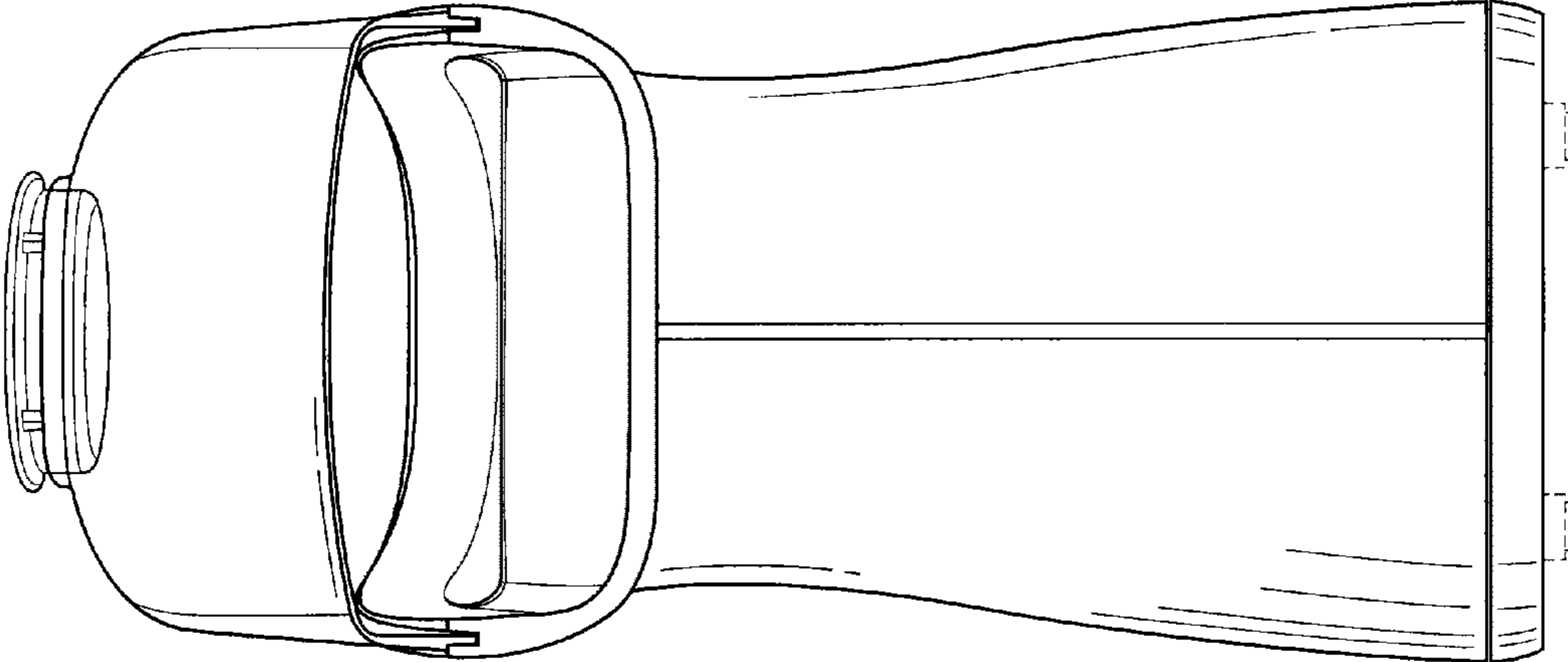


Fig. 4

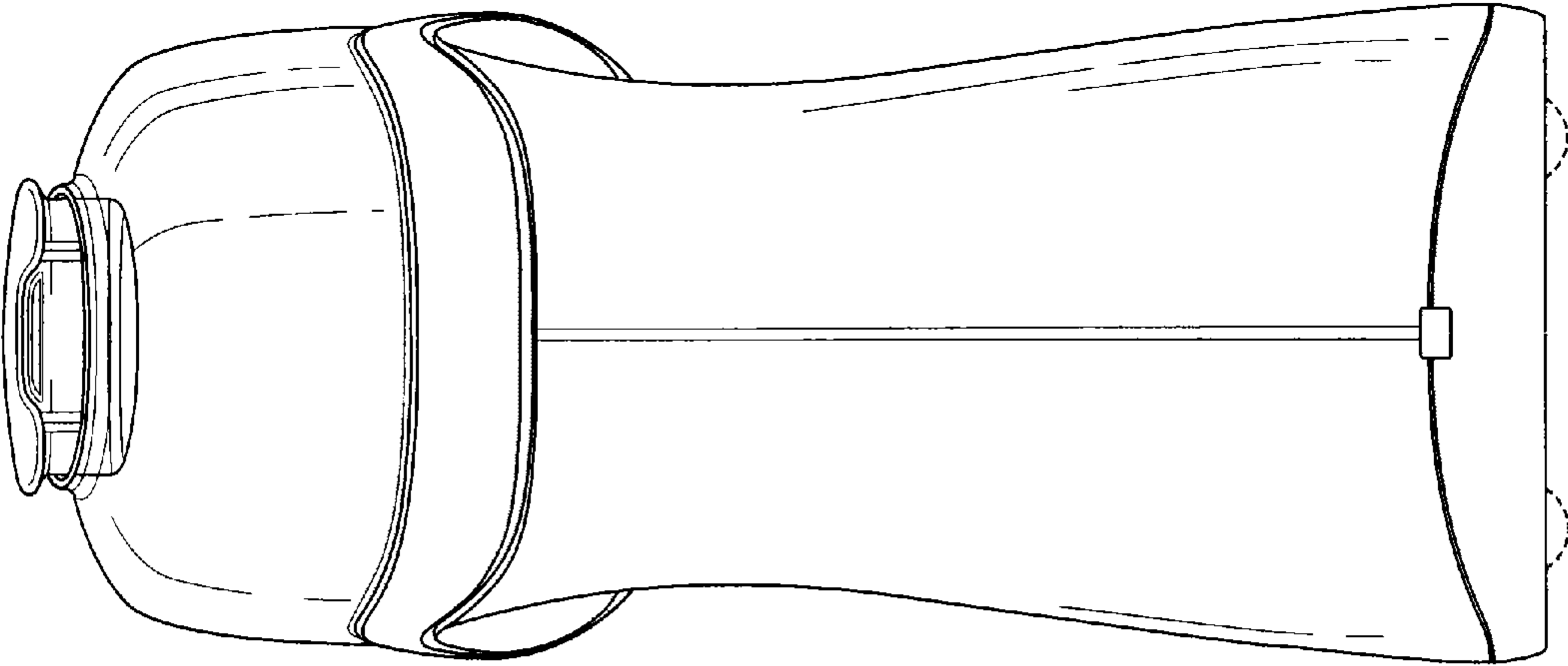


Fig. 5

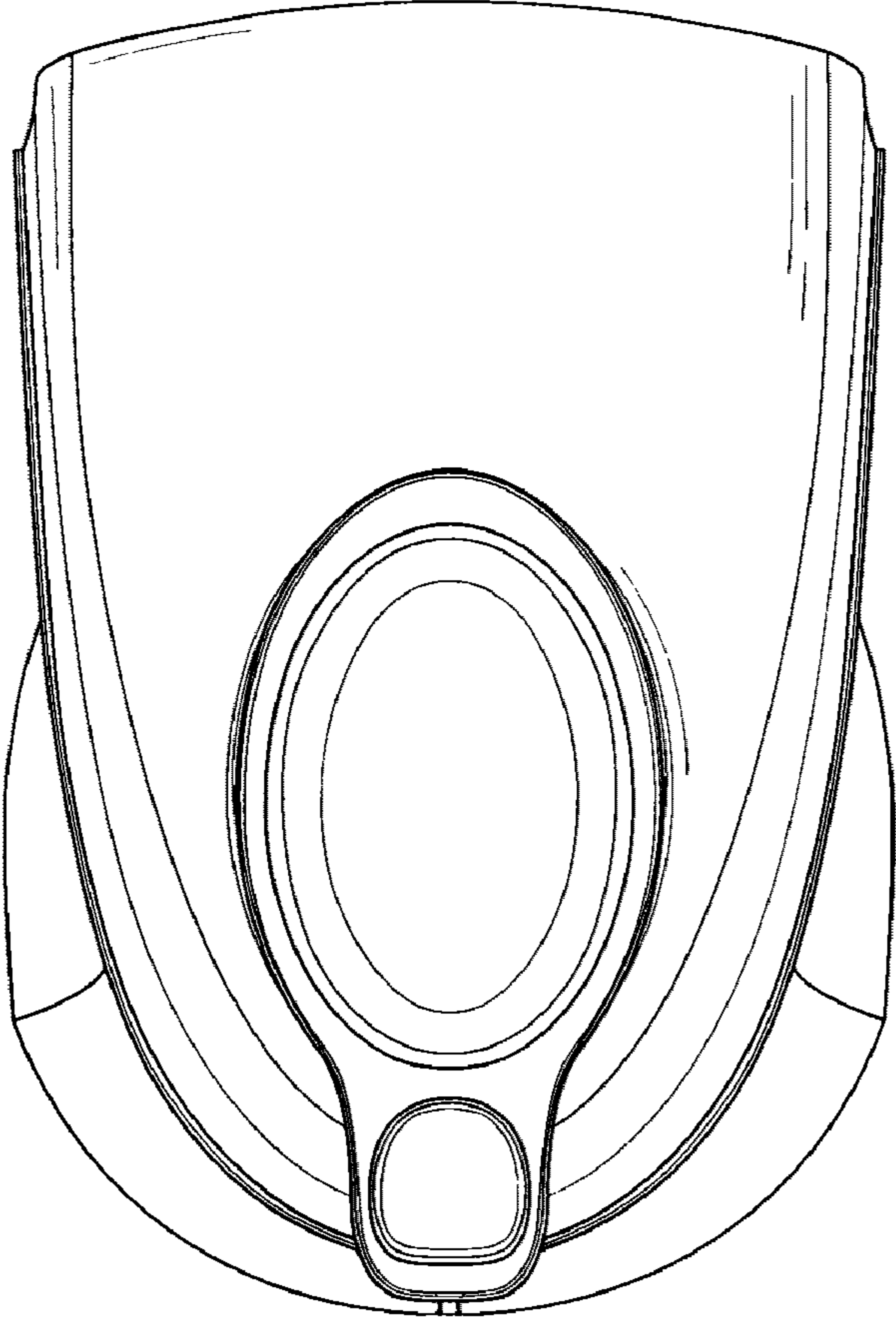


Fig. 6

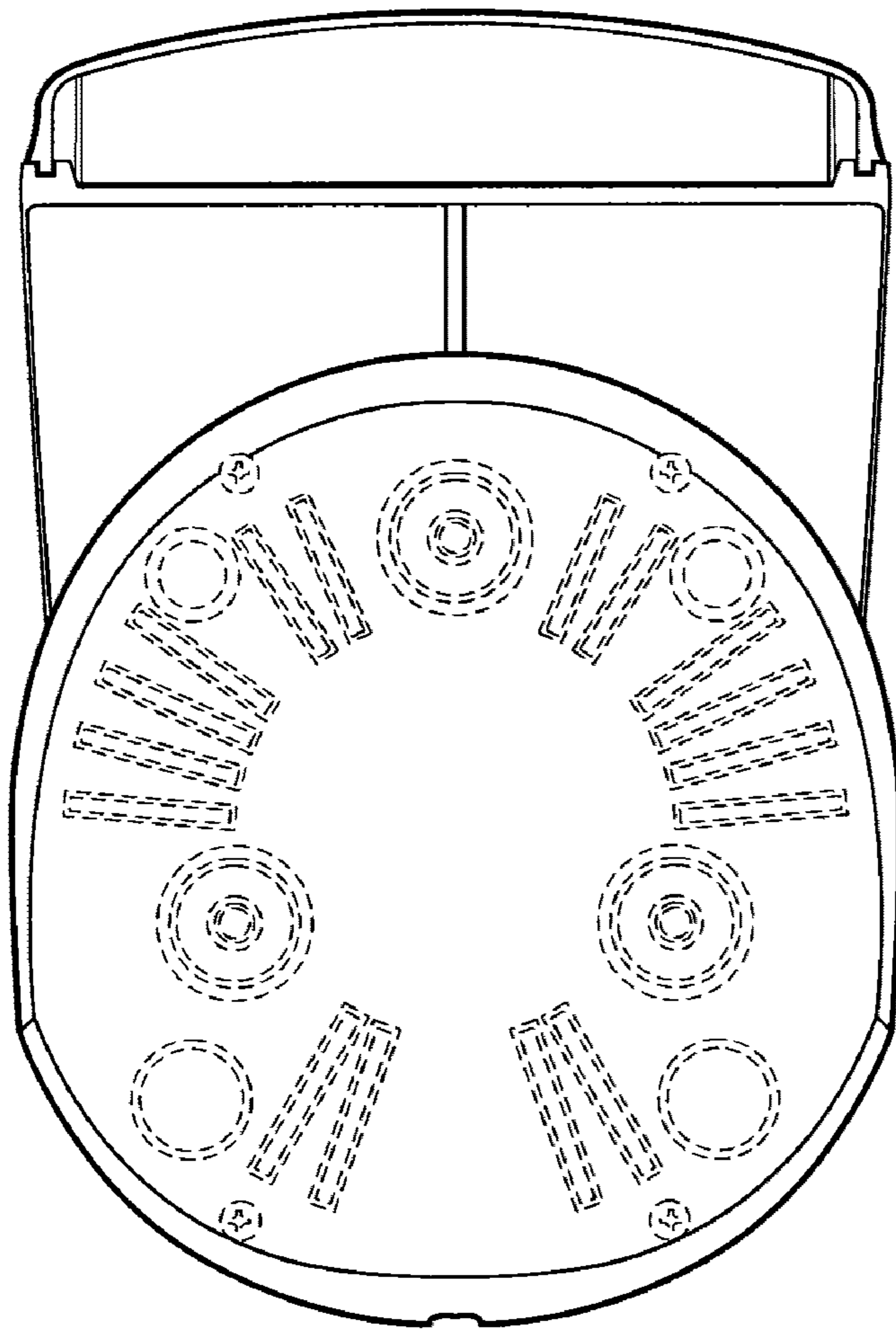


Fig. 7