



US00D642005S

(12) **United States Design Patent**
Geissler et al.

(10) **Patent No.:** **US D642,005 S**

(45) **Date of Patent:** **** Jul. 26, 2011**

(54) **TEA KETTLE**

(75) Inventors: **Richard L. Geissler**, Chippewa Falls, WI (US); **Michael R. Berge**, Eau Claire, WI (US)

(73) Assignee: **National Presto Industries, Inc.**, Eau Claire, WI (US)

(**) Term: **14 Years**

(21) Appl. No.: **29/368,132**

(22) Filed: **Aug. 18, 2010**

(51) **LOC (9) Cl.** **07-01**

(52) **U.S. Cl.** **D7/319; D7/321; D7/312; D7/317**

(58) **Field of Classification Search** D7/319, D7/318, 317, 322, 321, 312, 300; 222/475.1, 222/570

See application file for complete search history.

(56) **References Cited**

U.S. PATENT DOCUMENTS

D146,999	S *	6/1947	Wemyss	D7/321
D219,057	S *	10/1970	Gulotta et al.	D7/317
D269,318	S *	6/1983	Blanchard	D7/312
D272,884	S *	3/1984	Seibel	D7/321
4,683,812	A	8/1987	Tarlow et al.		
4,888,466	A	12/1989	Hoffmann		
5,188,019	A	2/1993	Vahabpour		
5,245,914	A	9/1993	Vitous		
D369,058	S *	4/1996	Simmons	D7/319
5,715,742	A	2/1998	Cheich et al.		
D411,404	S *	6/1999	Littmann	D7/319
6,139,888	A	10/2000	Knepler		
6,142,063	A	11/2000	Beaulieu et al.		
D439,789	S *	4/2001	Kaposi et al.	D7/316
RE37,173	E	5/2001	Jefferson, Jr. et al.		

D442,014	S *	5/2001	Haring et al.	D7/319
D444,988	S *	7/2001	Conran	D7/319
6,283,013	B1	9/2001	Romandy et al.		
6,561,390	B2 *	5/2003	Boyte et al.	222/475.1
6,612,224	B2	9/2003	Mercier et al.		
D500,627	S *	1/2005	Ranzoni	D7/322
D506,635	S *	6/2005	Krent et al.	D7/321
6,964,222	B1	11/2005	Tucker		
D541,099	S *	4/2007	Lebowitz	D7/319
D555,427	S *	11/2007	Picozza et al.	D7/412
7,594,469	B2	9/2009	O'Connor et al.		

OTHER PUBLICATIONS

Presto® Whistling Electric Tea Kettle Instructions, 2003, 3 pages.

* cited by examiner

Primary Examiner — Marianne Pandozzi

(74) *Attorney, Agent, or Firm* — Patterson Thunte Christensen Pedersen, P.A.

(57) **CLAIM**

The ornamental design for a tea kettle, as shown and described.

DESCRIPTION

FIG. 1 is a perspective view of a tea kettle showing our new design;
FIG. 2 is a front view of the tea kettle of FIG. 1.
FIG. 3 is a rear view of the tea kettle of FIG. 1.
FIG. 4 is a left side view of the tea kettle of FIG. 1.
FIG. 5 is a right side view of the tea kettle of FIG. 1.
FIG. 6 is a top view of the tea kettle of FIG. 1; and,
FIG. 7 is a bottom view of the tea kettle of FIG. 1.
Items shown in broken lines are for illustrative purposes only and form no part of the claimed design.

1 Claim, 7 Drawing Sheets

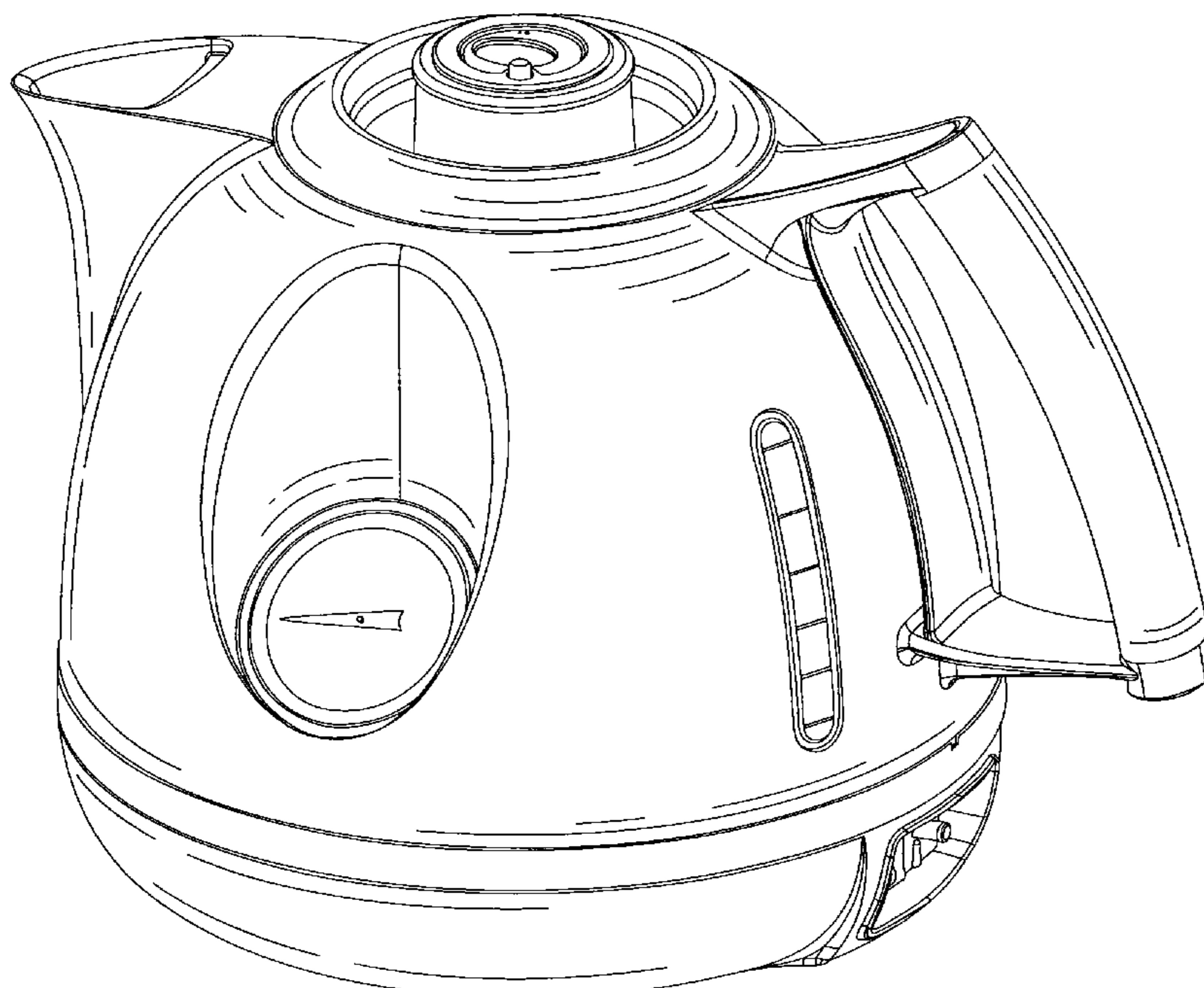


Fig. 1

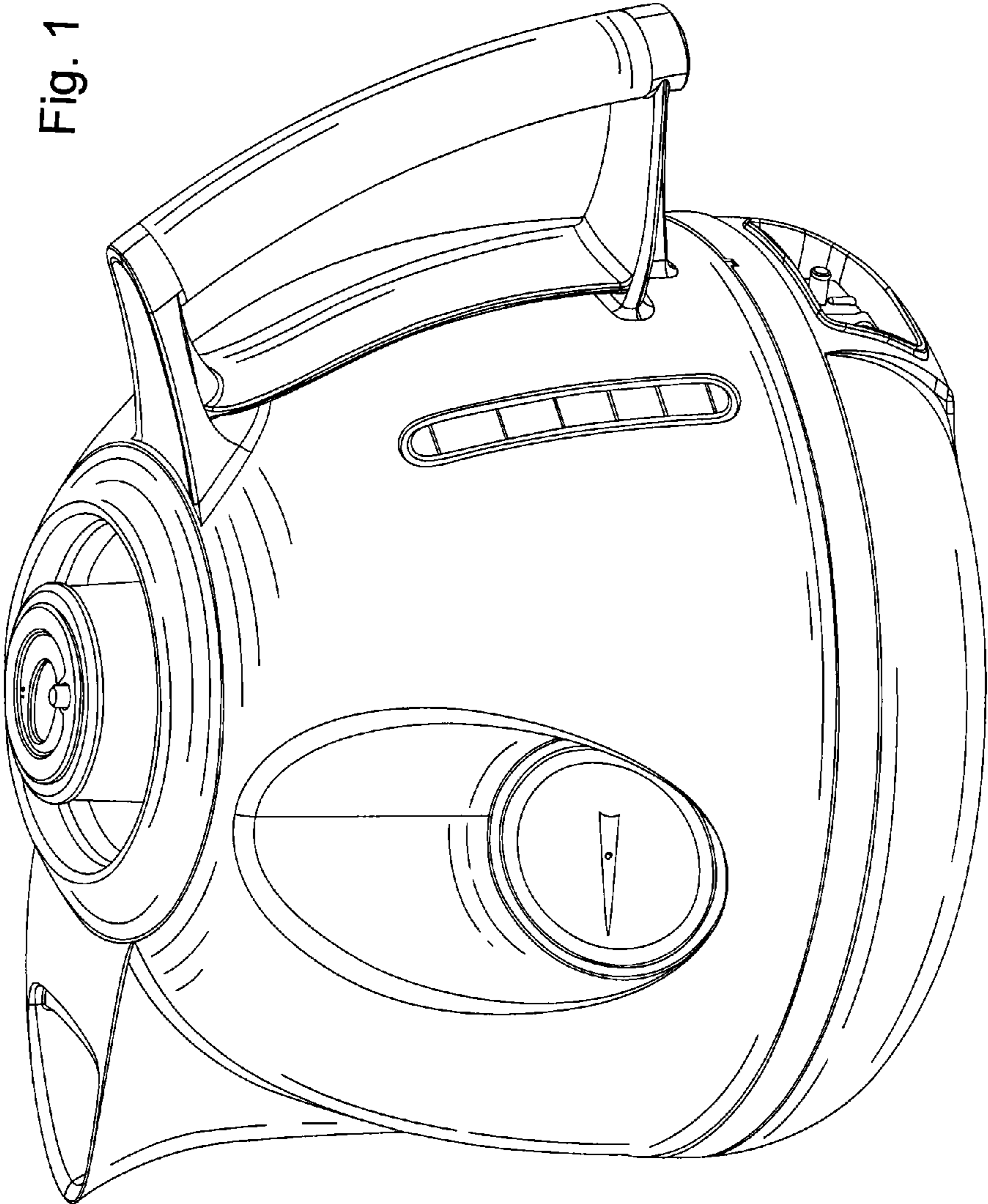


Fig. 2

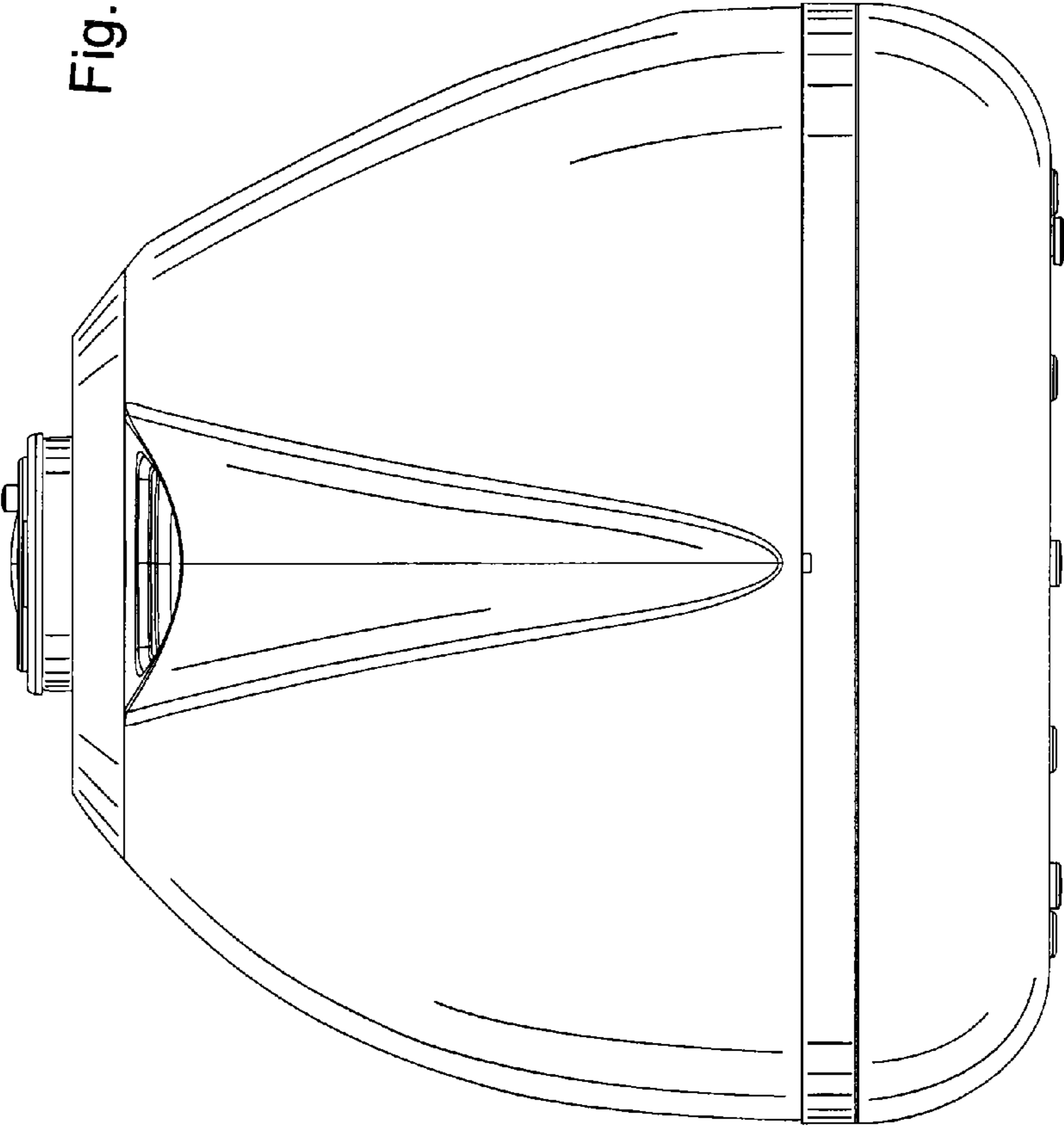


Fig. 3

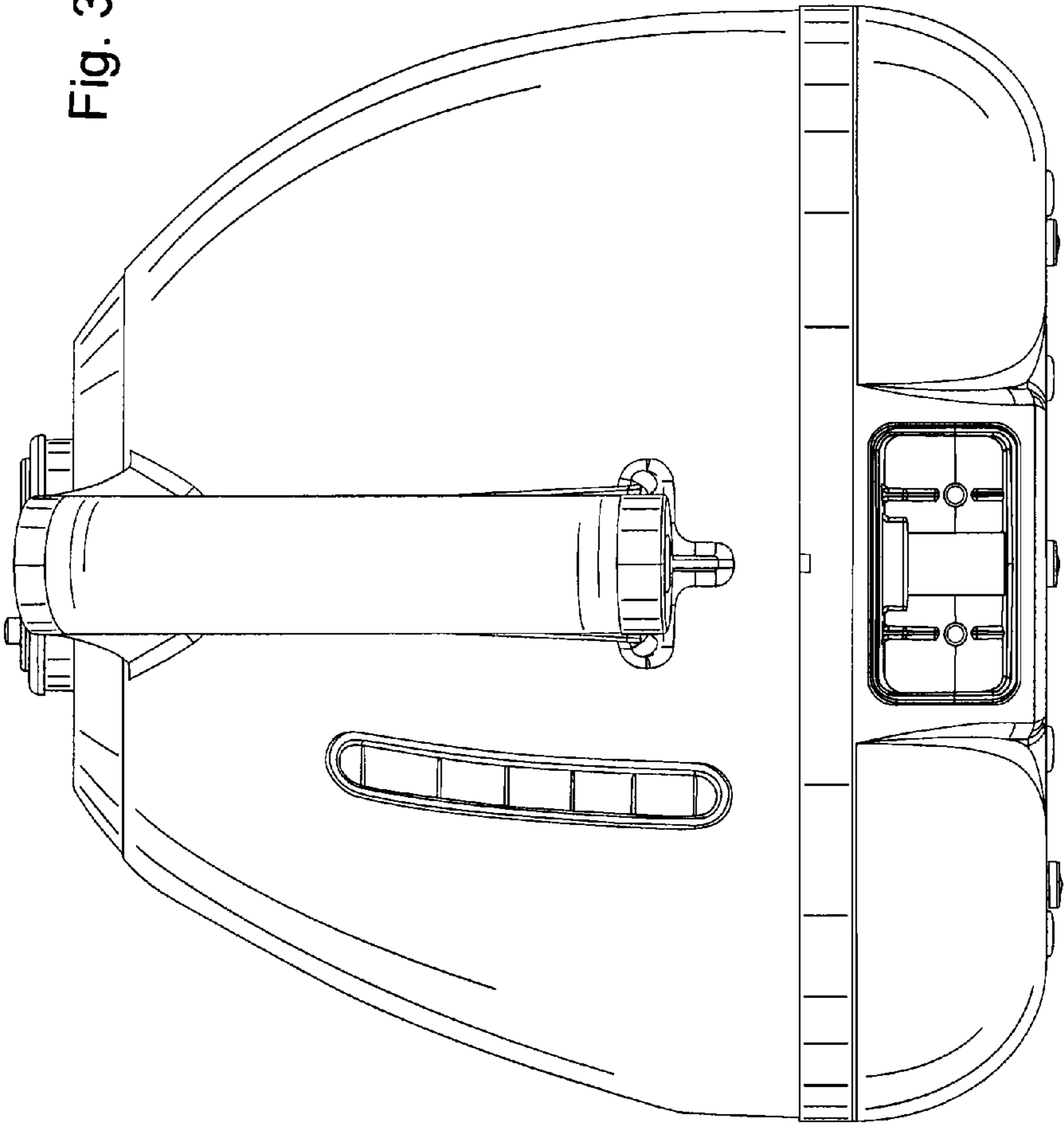
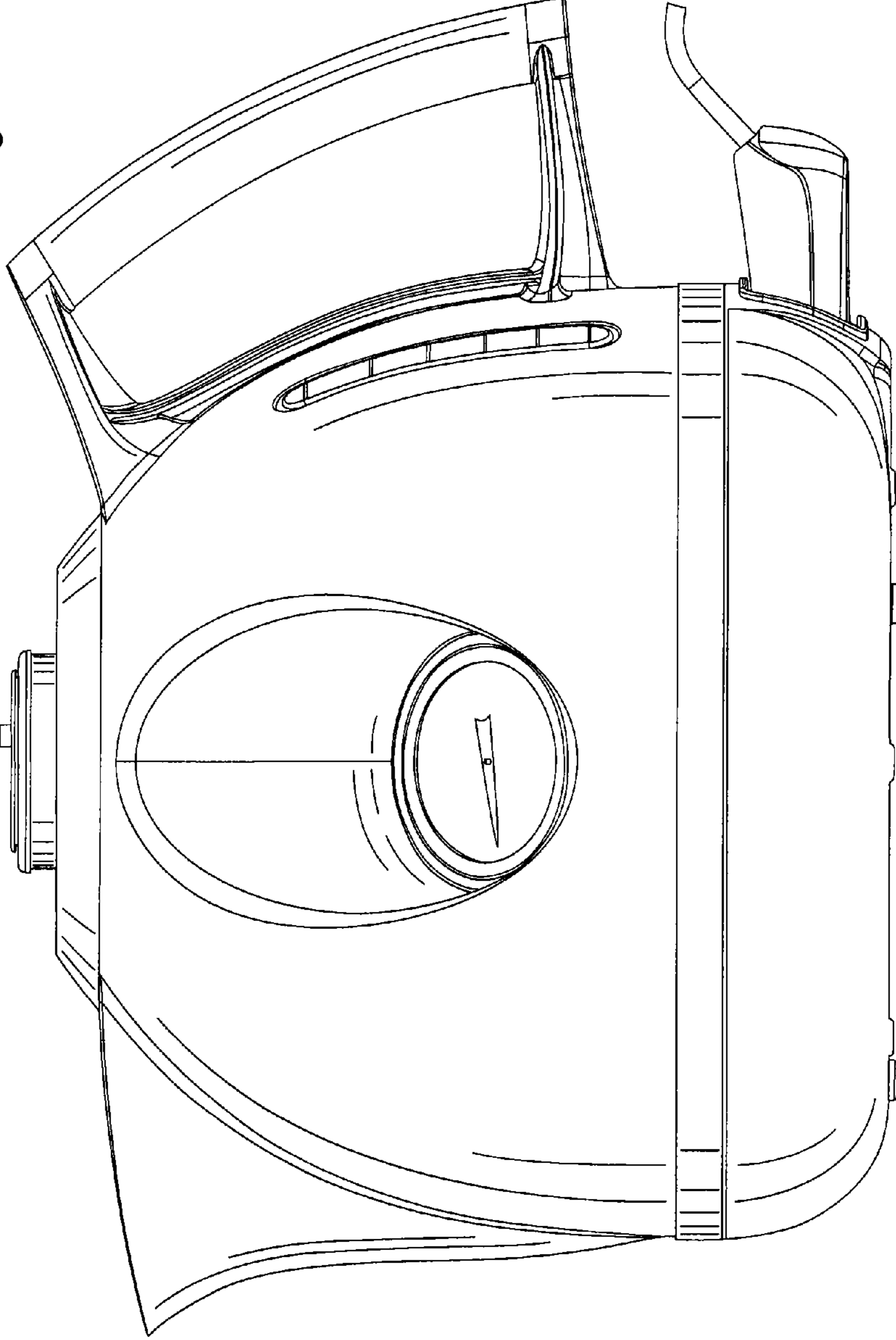


Fig. 4



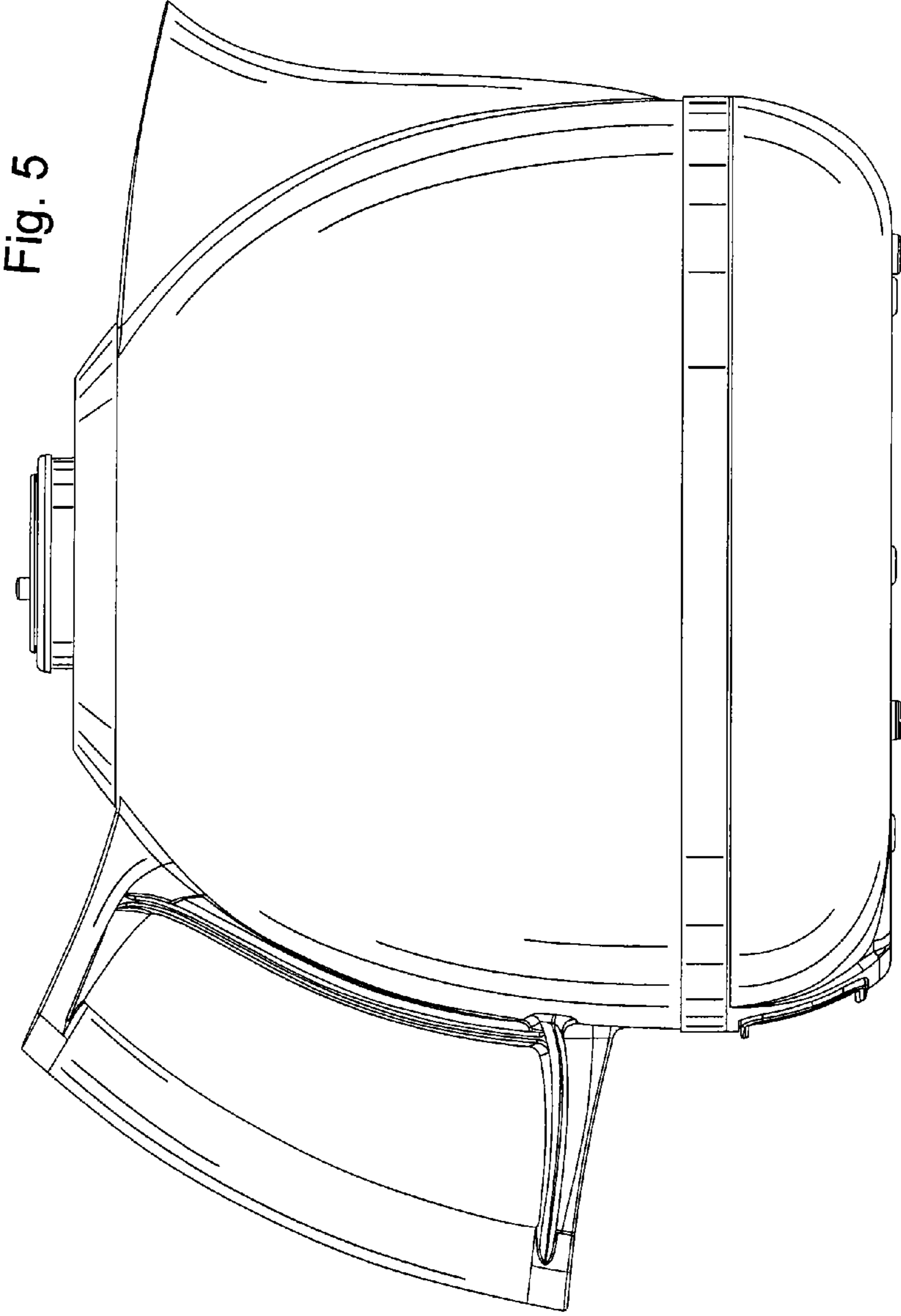


Fig. 6

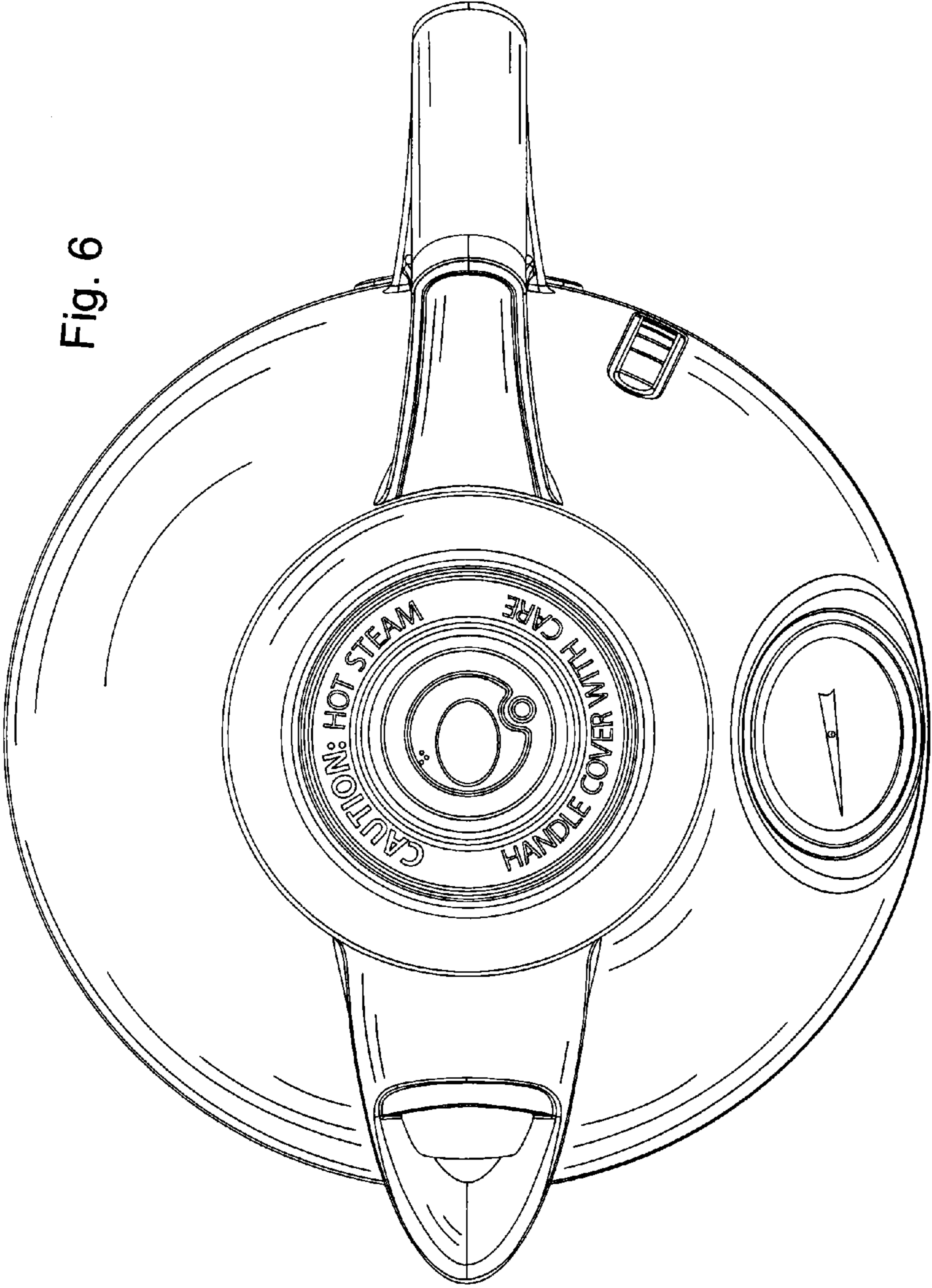


Fig. 7

