



US00D642004S

(12) **United States Design Patent**
Lau

(10) **Patent No.:** **US D642,004 S**
(45) **Date of Patent:** **** Jul. 26, 2011**

(54) **DISC CASE**
(75) Inventor: **Kwok Din Lau**, Chai Wan (HK)
(73) Assignee: **Finest Products Limited**, Chai Wan (HK)

D495,913 S * 9/2004 Hsiao D6/635
D505,565 S * 5/2005 Chen D6/407
D519,772 S * 5/2006 Jun D6/632
D519,773 S * 5/2006 Jun D6/632
D522,791 S * 6/2006 Ho D6/634
7,066,325 B2 * 6/2006 Bird et al. 206/308.1
D525,069 S * 7/2006 Farrar et al. D6/632

(**) Term: **14 Years**

(Continued)

(21) Appl. No.: **29/357,983**

Primary Examiner — T. Chase Nelson
(74) *Attorney, Agent, or Firm* — Baker & Daniels LLP

(22) Filed: **Mar. 19, 2010**

(30) **Foreign Application Priority Data**

Jan. 25, 2010 (CN) 2010 3 0100242

(51) **LOC (9) Cl.** **06-04**
(52) **U.S. Cl.** **D6/634**
(58) **Field of Classification Search** D6/406.3,
D6/707, 510, 626–635; D9/415, 418, 420,
D9/422–426, 428, 432–433; D19/26–27;
206/307, 307.1, 308.1, 309–313, 308.2, 308.3,
206/445, 387.15, 749, 751; D3/273, 294,
D3/295, 299–301, 303–304, 218, 201, 270;
312/9.1, 902, 9.9, 9.48, 9.55, 9.64, 9.47,
312/9.53; D14/478–479

See application file for complete search history.

(56) **References Cited**

U.S. PATENT DOCUMENTS

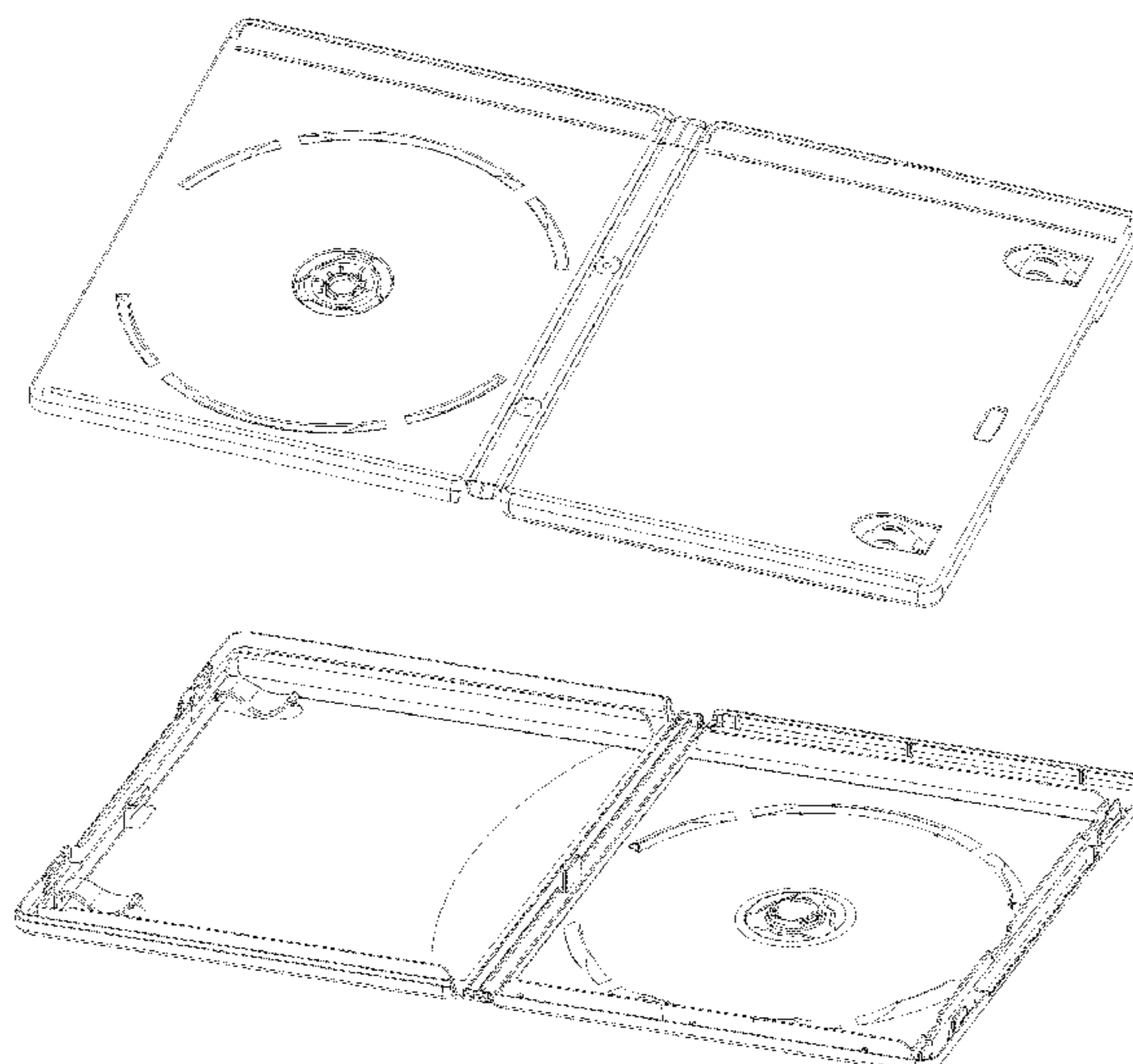
5,944,181 A * 8/1999 Lau 206/308.1
D420,240 S * 2/2000 Sorenson et al. D6/632
D437,171 S * 2/2001 Cuadrado-Serena D6/632
D451,747 S * 12/2001 Tang D6/632
D452,104 S * 12/2001 Tang D6/632
D452,105 S * 12/2001 Chan D6/635
D452,793 S * 1/2002 Lee D6/632
D459,935 S * 7/2002 Takahashi et al. D6/634
D465,960 S * 11/2002 Yau D6/632
D470,707 S * 2/2003 Lopez Mas D6/634
D481,251 S * 10/2003 Yau D6/632
D485,698 S * 1/2004 Yu D6/407
D493,661 S * 8/2004 Yau D6/635

(57) **CLAIM**
The ornamental design for the disc case, as shown and described.

DESCRIPTION

FIG. 1 is an outer perspective view of the disc case in an open state.
FIG. 2 is an inner perspective view thereof in an open state.
FIG. 3 is a perspective view thereof in closed state.
FIG. 4 is a perspective view thereof in closed state.
FIG. 5 is a right side elevational view thereof in closed state.
FIG. 6 is a front view thereof in closed state.
FIG. 7 is a left side elevational view thereof in closed state.
FIG. 8 is a top view thereof in closed state.
FIG. 9 is a bottom view thereof in closed state.
FIG. 10 is a rear view thereof in closed state.
FIG. 11 is an outer plan view thereof in open state.
FIG. 12 is an inner plan view thereof in open state.
FIG. 13 is a top view thereof in open state.
FIG. 14 is a bottom view thereof in open state.
FIG. 15 is a left side view thereof in open state.
FIG. 16 is a right side view thereof in open state.
FIG. 17 is a plan view thereof in an open state to show where the sectional views of FIG. 18 and FIG. 19 are taken.
FIG. 18 is a sectional view taken along the line 18—18 of FIG. 17; and,
FIG. 19 is a sectional view taken along the line 19—19 of FIG. 17.

1 Claim, 7 Drawing Sheets



US D642,004 S

Page 2

U.S. PATENT DOCUMENTS

D543,067	S *	5/2007	Ng	D6/634
D543,068	S *	5/2007	Ng	D6/634
D554,928	S *	11/2007	Chen	D6/627
D557,054	S *	12/2007	Grubstein et al.	D6/634
D557,055	S *	12/2007	Gelardi et al.	D6/634
D557,546	S *	12/2007	Gelardi et al.	D6/634
D557,968	S *	12/2007	Gelardi et al.	D6/634
7,320,235	B2 *	1/2008	Belden et al.	70/57.1
D562,049	S *	2/2008	Abolfazlian	D6/632
D562,615	S *	2/2008	Gelardi et al.	D6/634
D563,141	S *	3/2008	Gelardi et al.	D6/634
D564,822	S *	3/2008	Goto	D6/632
D572,962	S *	7/2008	Freitag et al.	D6/634
D572,963	S *	7/2008	Gelardi et al.	D6/634
D572,964	S *	7/2008	Gelardi et al.	D6/634
D573,831	S *	7/2008	Gelardi et al.	D6/634
7,416,079	B2 *	8/2008	Osborn et al.	206/308.1
D580,190	S *	11/2008	Marsilio	D6/407
D598,692	S *	8/2009	Kwan	D6/634
D600,053	S *	9/2009	Chen	D6/510
D603,202	S *	11/2009	Choi	D6/634
7,610,782	B2 *	11/2009	Lax et al.	70/57.1
D605,887	S *	12/2009	Lau	D6/632
D614,903	S *	5/2010	Lau	D6/634
D614,904	S *	5/2010	Lau	D6/634
D615,796	S *	5/2010	Lau	D6/632
D616,240	S *	5/2010	Kostyun et al.	D6/634
7,721,882	B2 *	5/2010	Lau	206/308
7,721,883	B2 *	5/2010	Lau	206/310
D619,845	S *	7/2010	Gelardi et al.	D6/634
2001/0047947	A1 *	12/2001	Lau	206/310
2003/0116455	A1 *	6/2003	Marsilio et al.	206/308.2
2004/0112773	A1 *	6/2004	Chu	206/310
2005/0115847	A1 *	6/2005	Wawrzynowski	206/308.1
2005/0279658	A1 *	12/2005	Bergh et al.	206/308.1
2007/0012583	A1 *	1/2007	Choi et al.	206/308.1
2008/0006546	A1 *	1/2008	Lau	206/308.1
2009/0205984	A1 *	8/2009	Choi	206/308.1

* cited by examiner

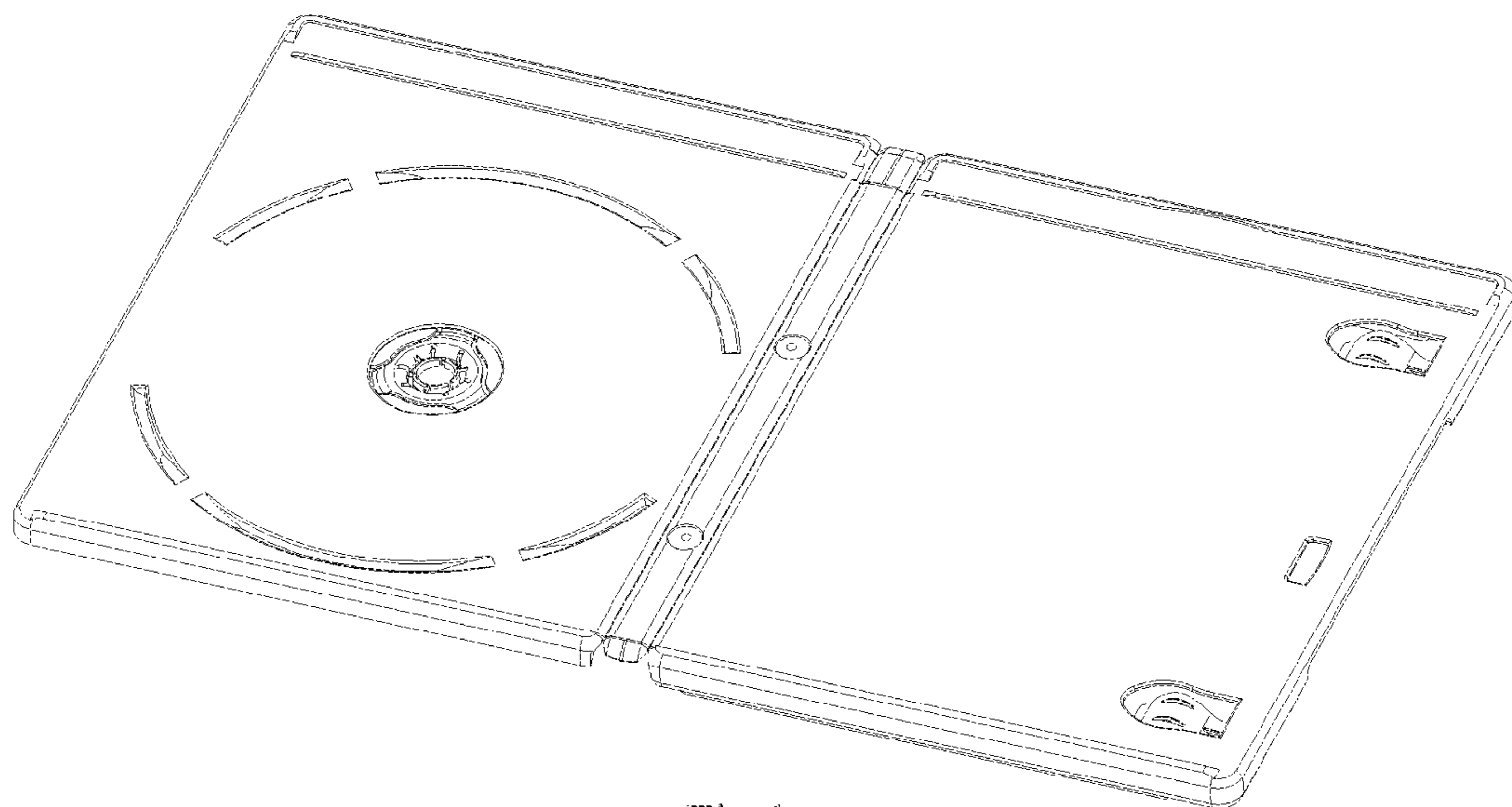


Fig.1

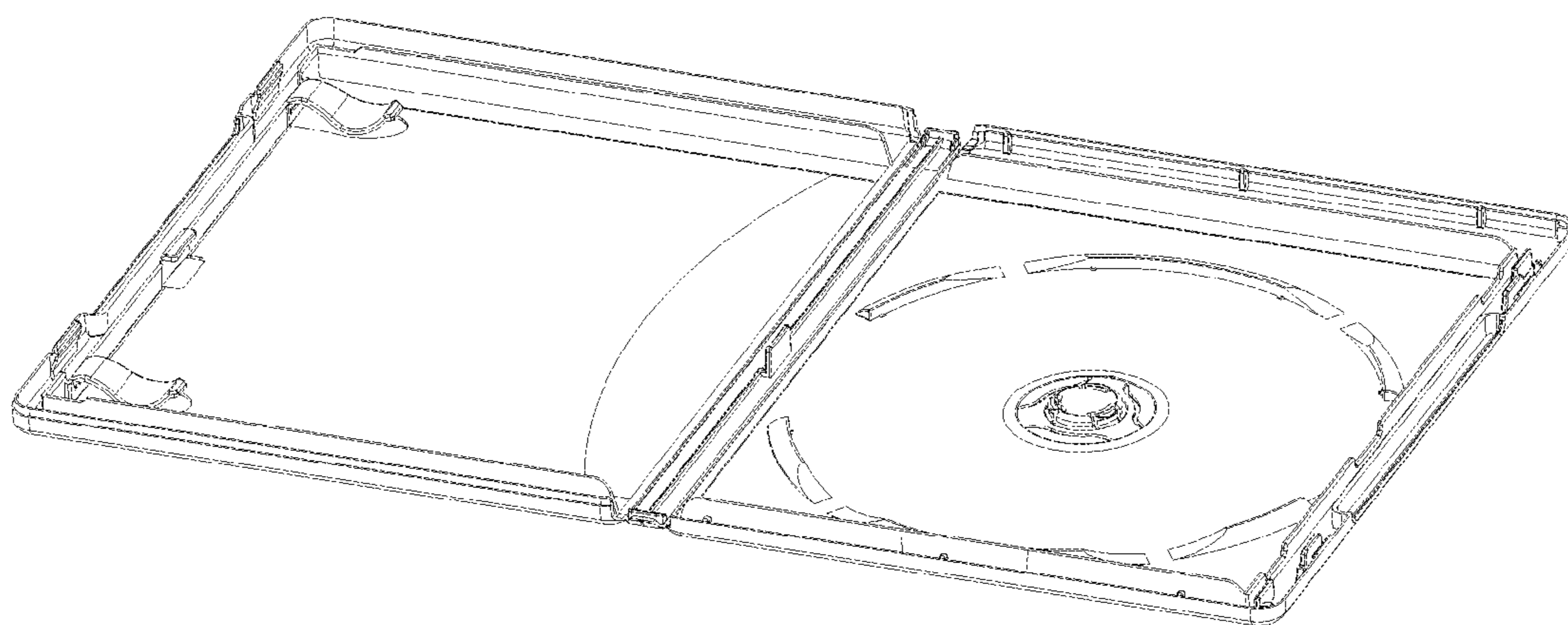


Fig.2

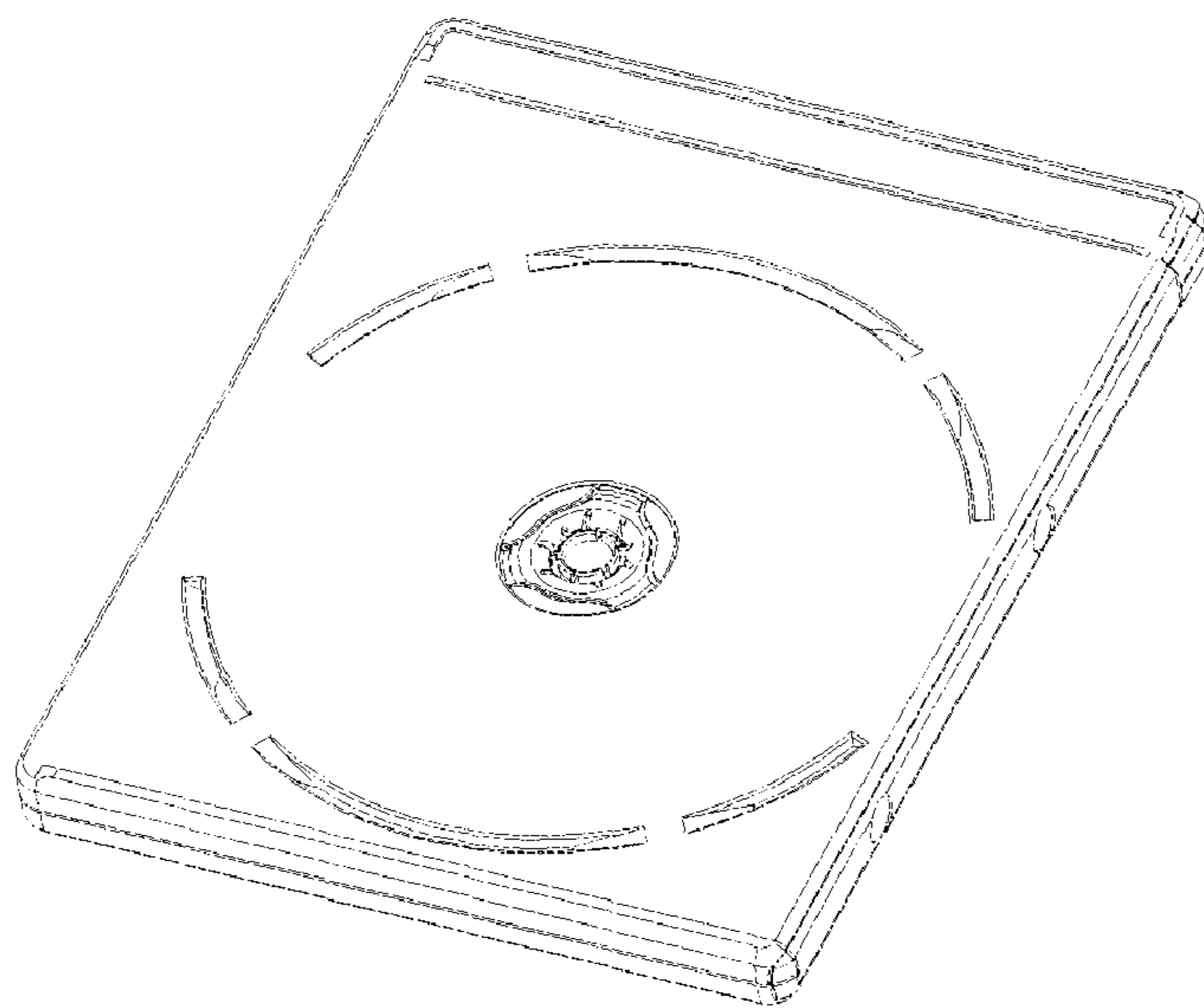


Fig. 3

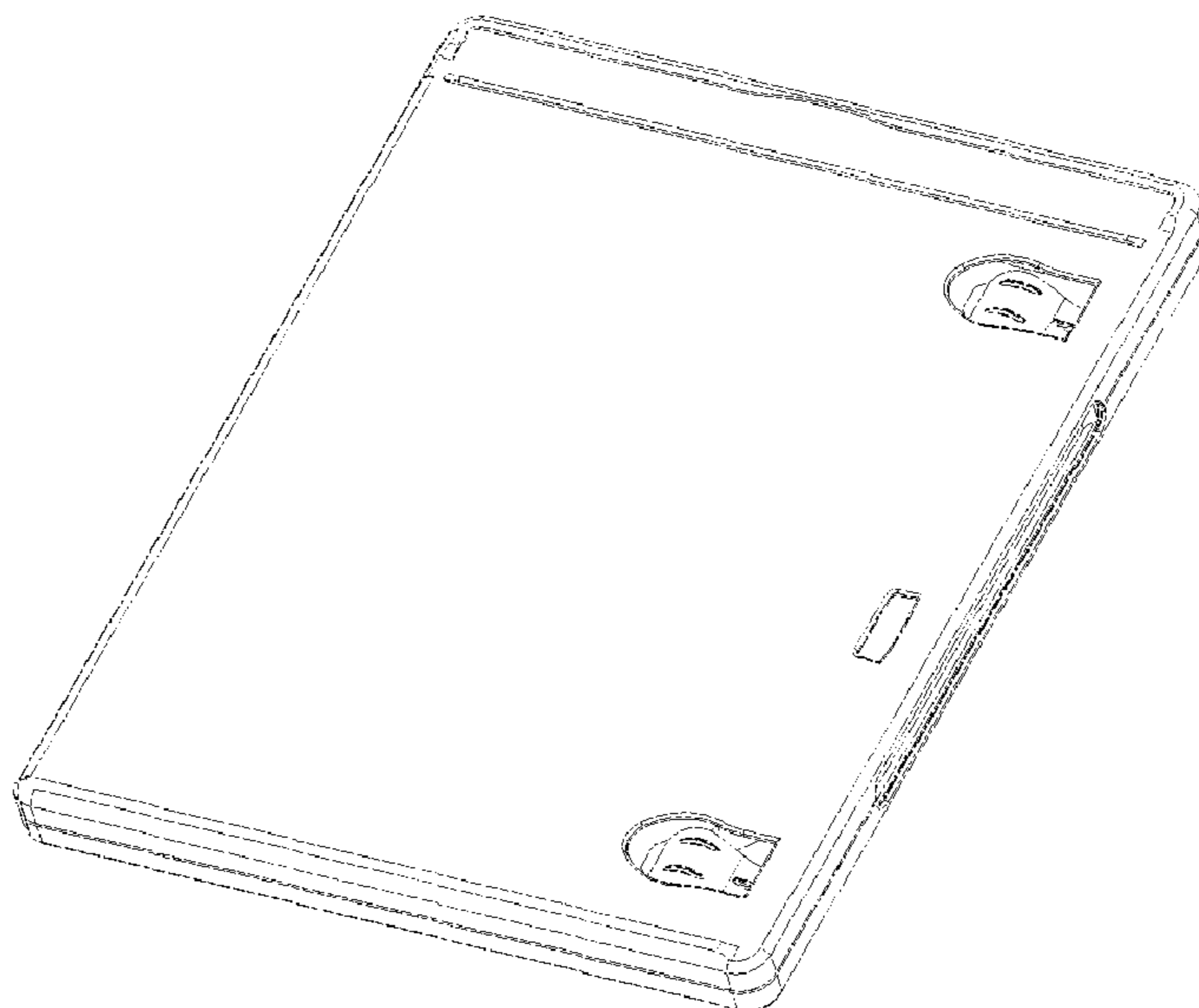


Fig. 4

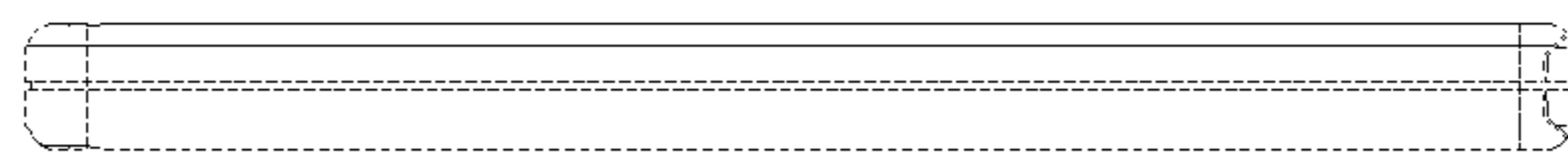


Fig. 8

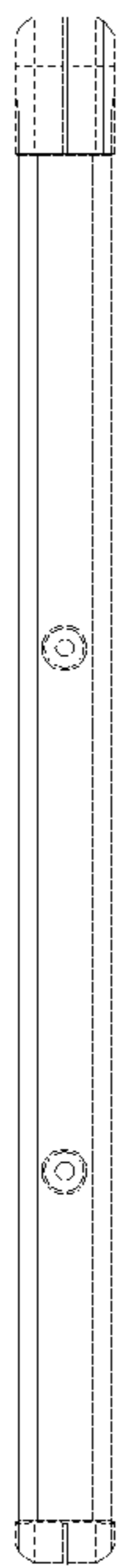


Fig. 5

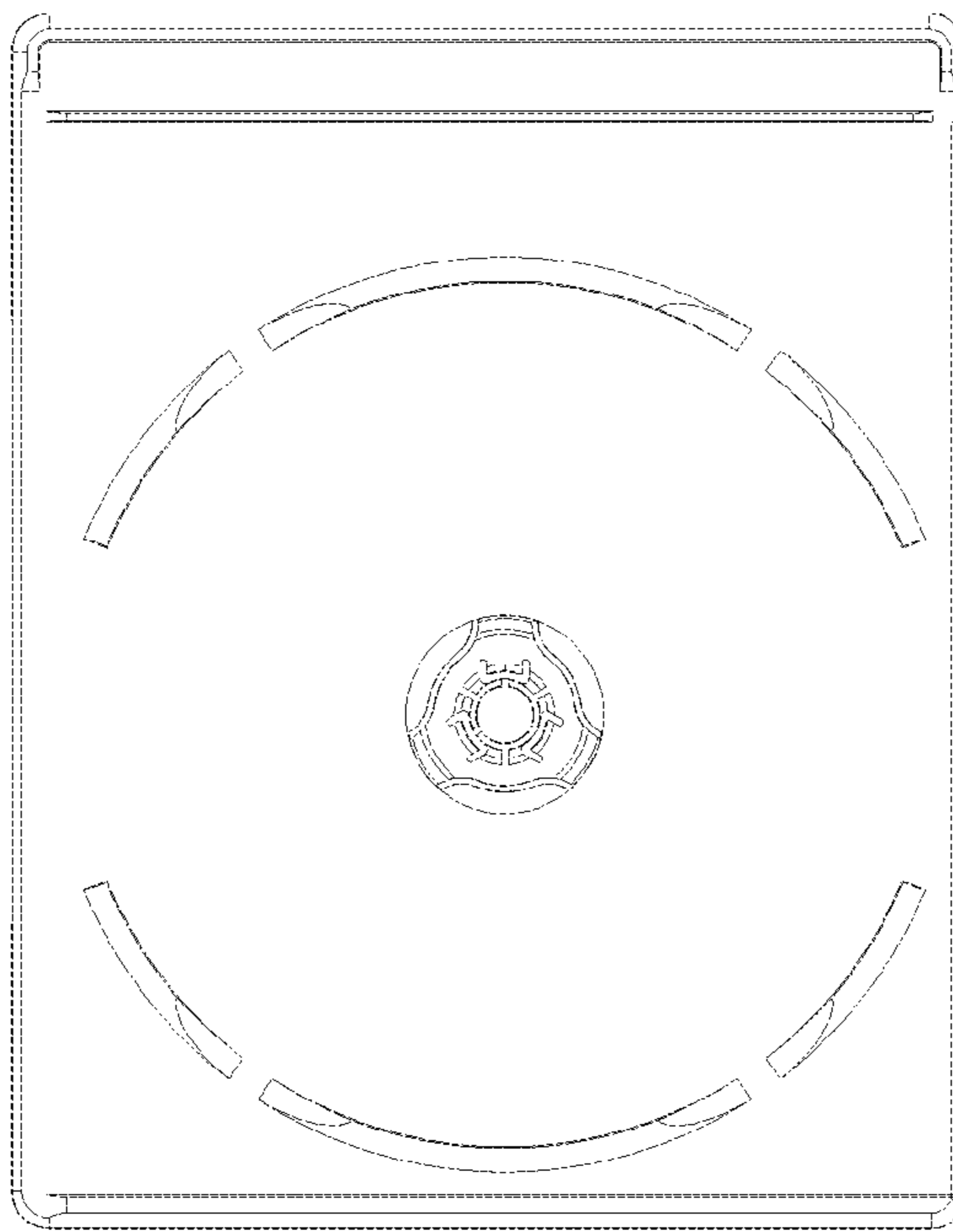


Fig. 6

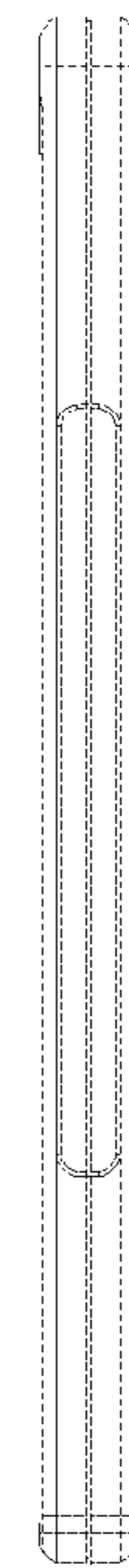


Fig. 7

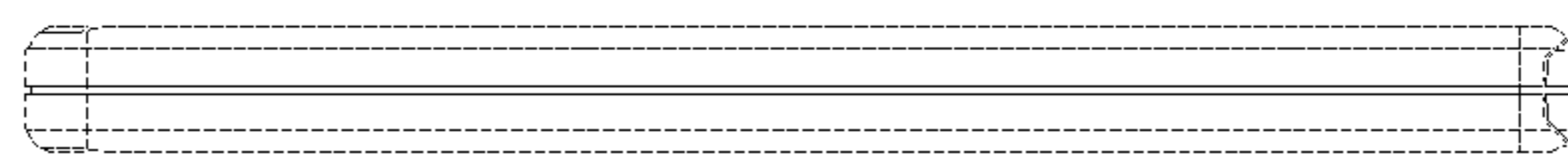


Fig. 9

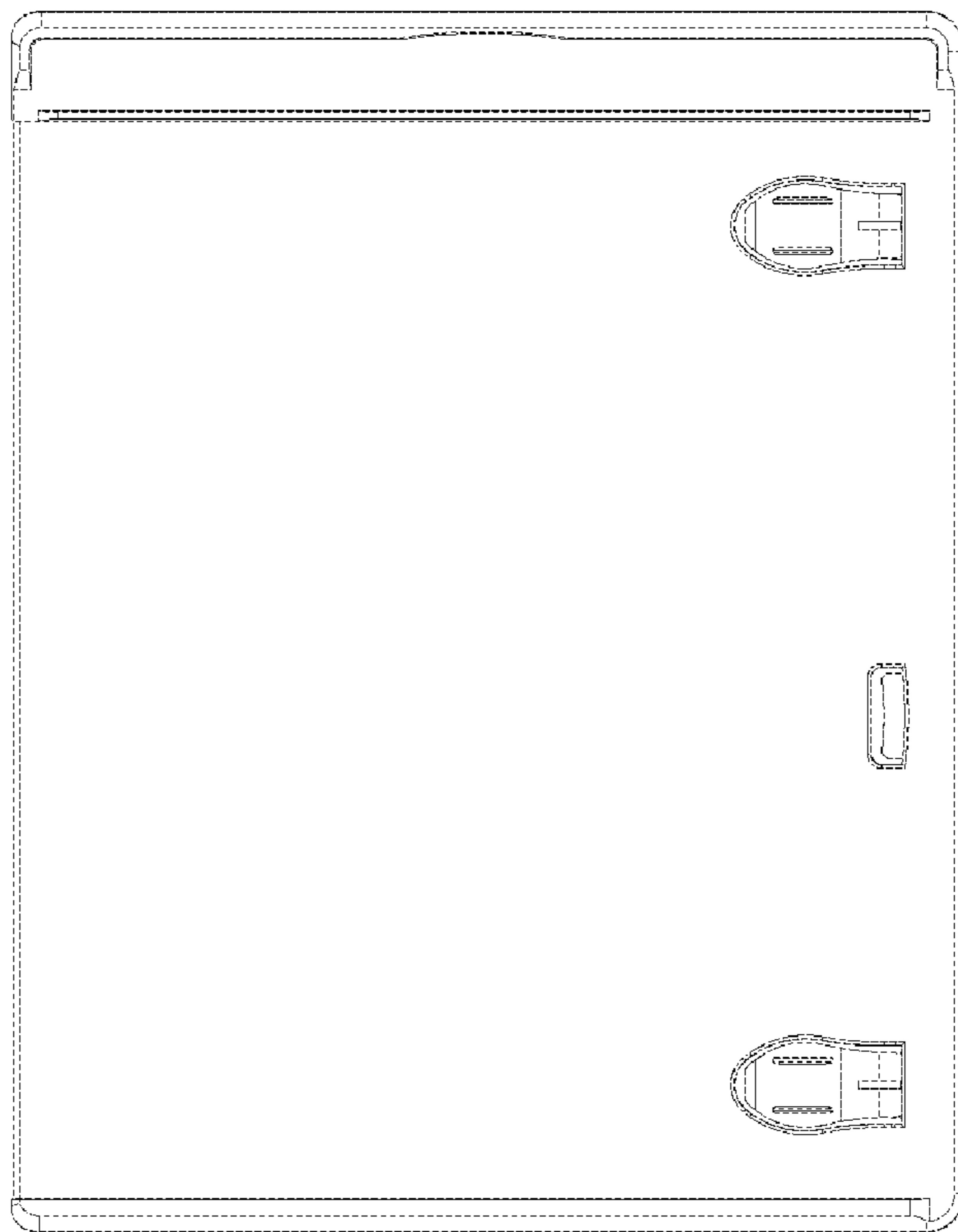


Fig. 10

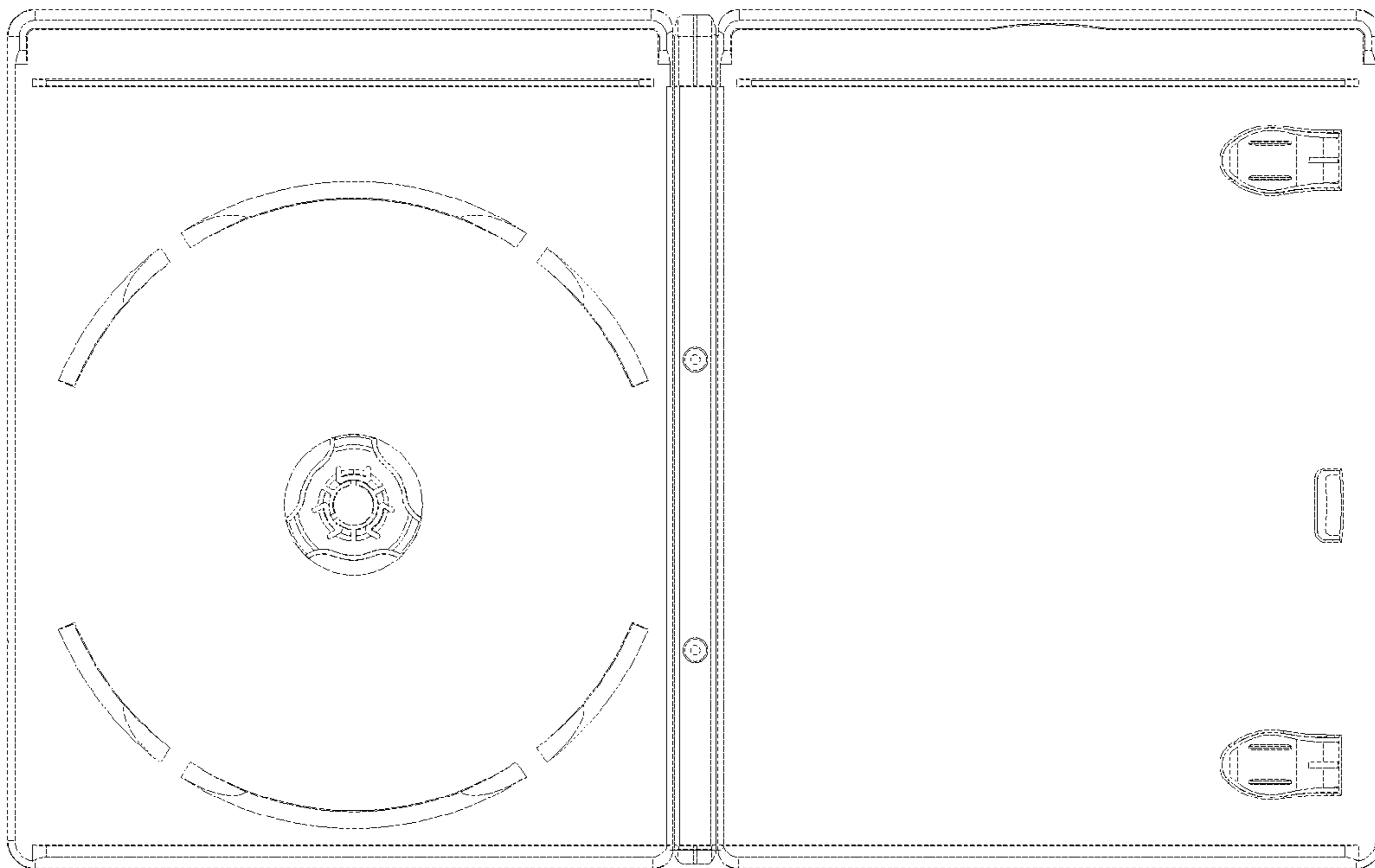


Fig. 11



FIG. 13

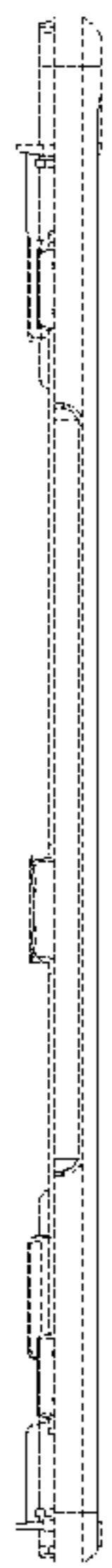


Fig. 15

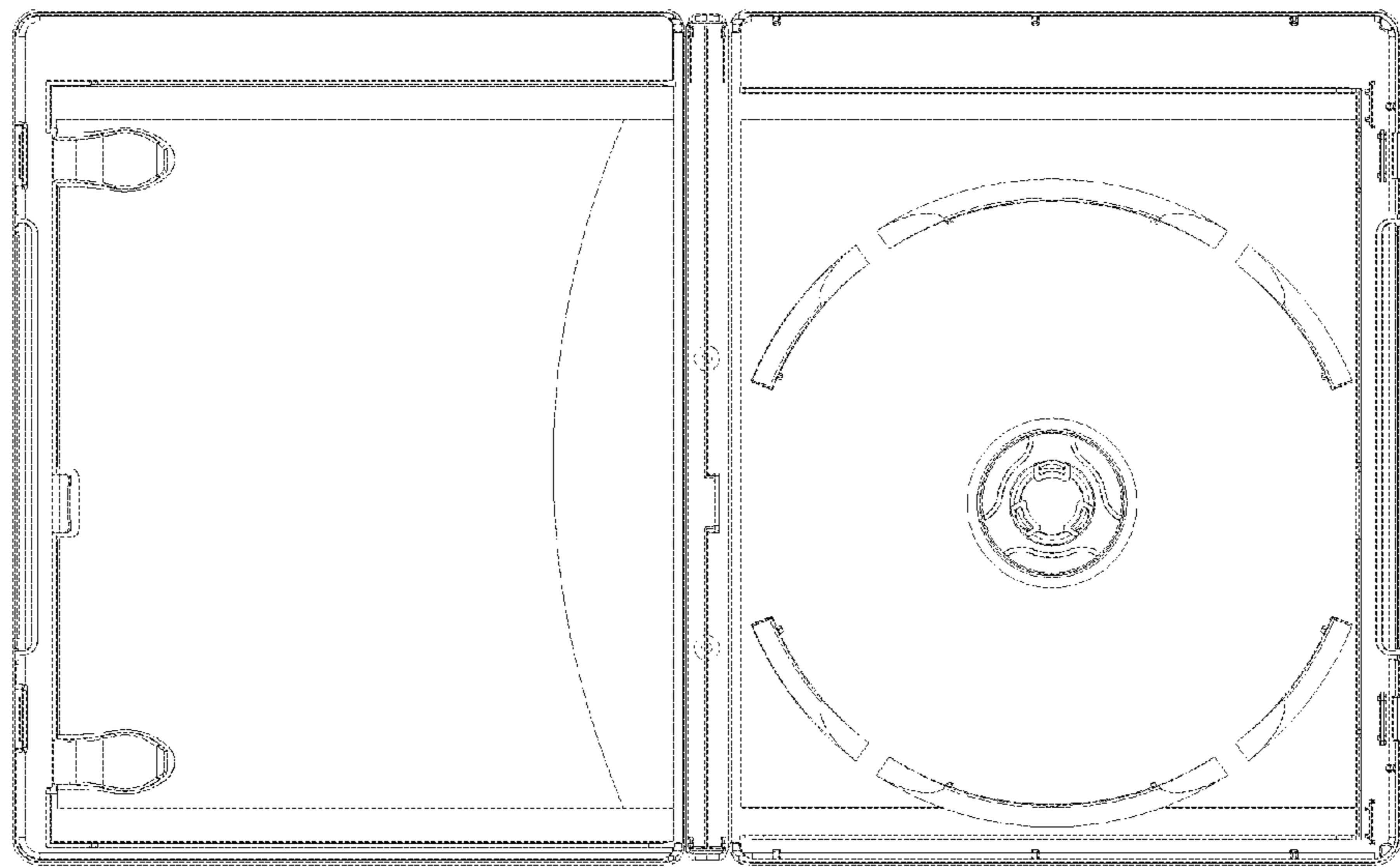


Fig. 12

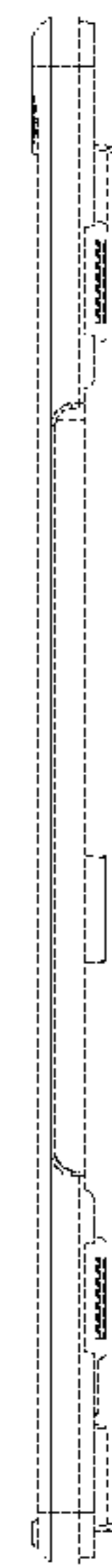


Fig. 16

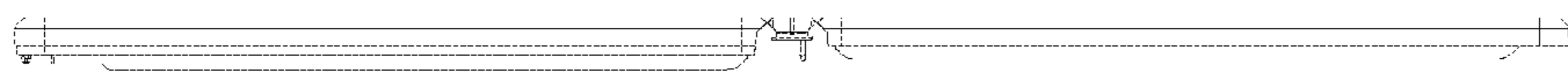


Fig. 14

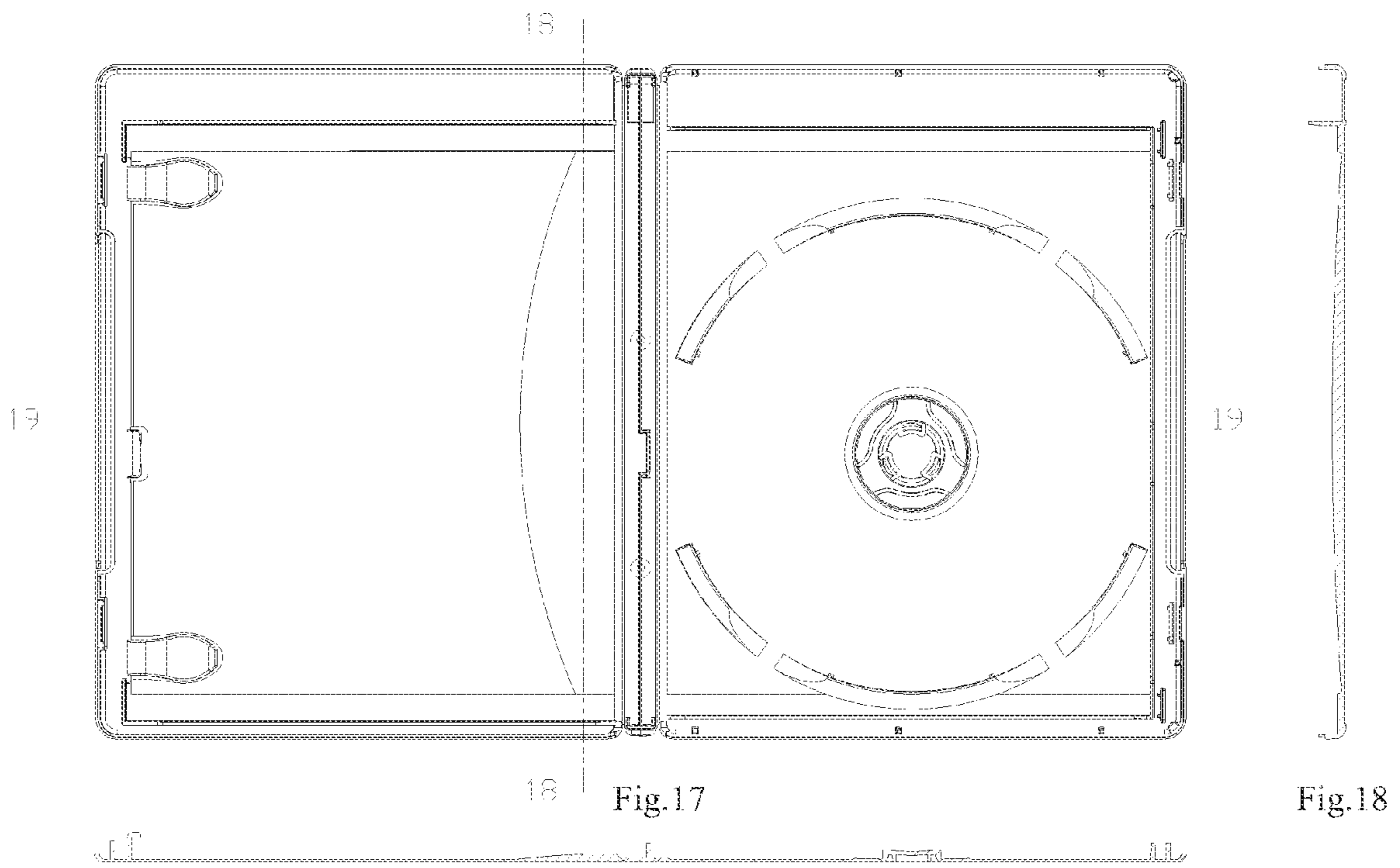


Fig.17

Fig.18

Fig.19