



US00D642003S

(12) **United States Design Patent**  
**Wright**

(10) **Patent No.:** **US D642,003 S**

(45) **Date of Patent:** **\*\* Jul. 26, 2011**

(54) **SURFACE PROTECTION MAT**

(76) Inventor: **Rickie J. Wright**, Canton, MI (US)

(\*\*) Term: **14 Years**

(21) Appl. No.: **29/359,655**

(22) Filed: **Apr. 14, 2010**

**Related U.S. Application Data**

(63) Continuation-in-part of application No. 12/175,964, filed on Jul. 18, 2008, which is a continuation-in-part of application No. 11/451,706, filed on Jun. 13, 2006, now Pat. No. 7,597,949.

(51) **LOC (9) Cl.** ..... **06-11**

(52) **U.S. Cl.** ..... **D6/592**

(58) **Field of Classification Search** ..... D5/1, 2, D5/9, 11, 12, 43, 47, 50, 54, 56, 59; D6/582, D6/583, 585, 586, 592, 594, 605; D9/707, D9/713; D12/203; 4/581, 582; 5/420; 15/215; 52/660; 66/169 R; 428/15, 32, 66.5, 112, 428/187, 221, 542.6

See application file for complete search history.

(56) **References Cited**

**U.S. PATENT DOCUMENTS**

1,641,029	A *	8/1927	Gaudet	.....	4/251.1
2,139,512	A *	12/1938	Nagorny	.....	63/37
2,187,676	A *	1/1940	Biewen	.....	4/251.1
2,460,654	A *	2/1949	Reinstein	.....	428/52
3,488,081	A	1/1970	Nolen		
4,285,075	A	8/1981	Nelson		
4,328,275	A	5/1982	Vargo		
4,439,474	A	3/1984	Sagel		
4,484,661	A	11/1984	Evenson		
D281,752	S *	12/1985	Dickens et al.	.....	D6/582
4,609,580	A	9/1986	Rockett et al.		
4,766,626	A *	8/1988	Green	.....	5/420
4,798,754	A	1/1989	Tomek		
4,822,669	A	4/1989	Roga		

4,826,030	A	5/1989	Valley		
5,018,235	A	5/1991	Stamatiou et al.		
5,028,468	A	7/1991	Taylor		
5,080,956	A	1/1992	Smith		
5,114,774	A	5/1992	Maxim, Jr.		
5,128,189	A	7/1992	Bartlett		
5,270,089	A	12/1993	Alston et al.		
5,383,570	A	1/1995	Gordon		
5,506,040	A	4/1996	Cordani		
5,549,945	A	8/1996	Lind		
5,613,332	A	3/1997	Saylor, Jr.		
D385,142	S *	10/1997	Sparks	.....	D6/582
D409,427	S *	5/1999	Ford et al.	.....	D6/583
5,916,658	A	6/1999	Mohr		
D423,439	S *	4/2000	Moore	.....	D12/203
6,295,658	B1	10/2001	Jenkins		
6,329,040	B1 *	12/2001	Oshima et al.	.....	428/156
6,446,275	B1	9/2002	Wright et al.		
6,446,289	B1 *	9/2002	Su et al.	.....	5/709

(Continued)

*Primary Examiner* — Karen S Acker

(74) *Attorney, Agent, or Firm* — Gifford, Krass, Sprinkle, Anderson & Citkowski, P.C.

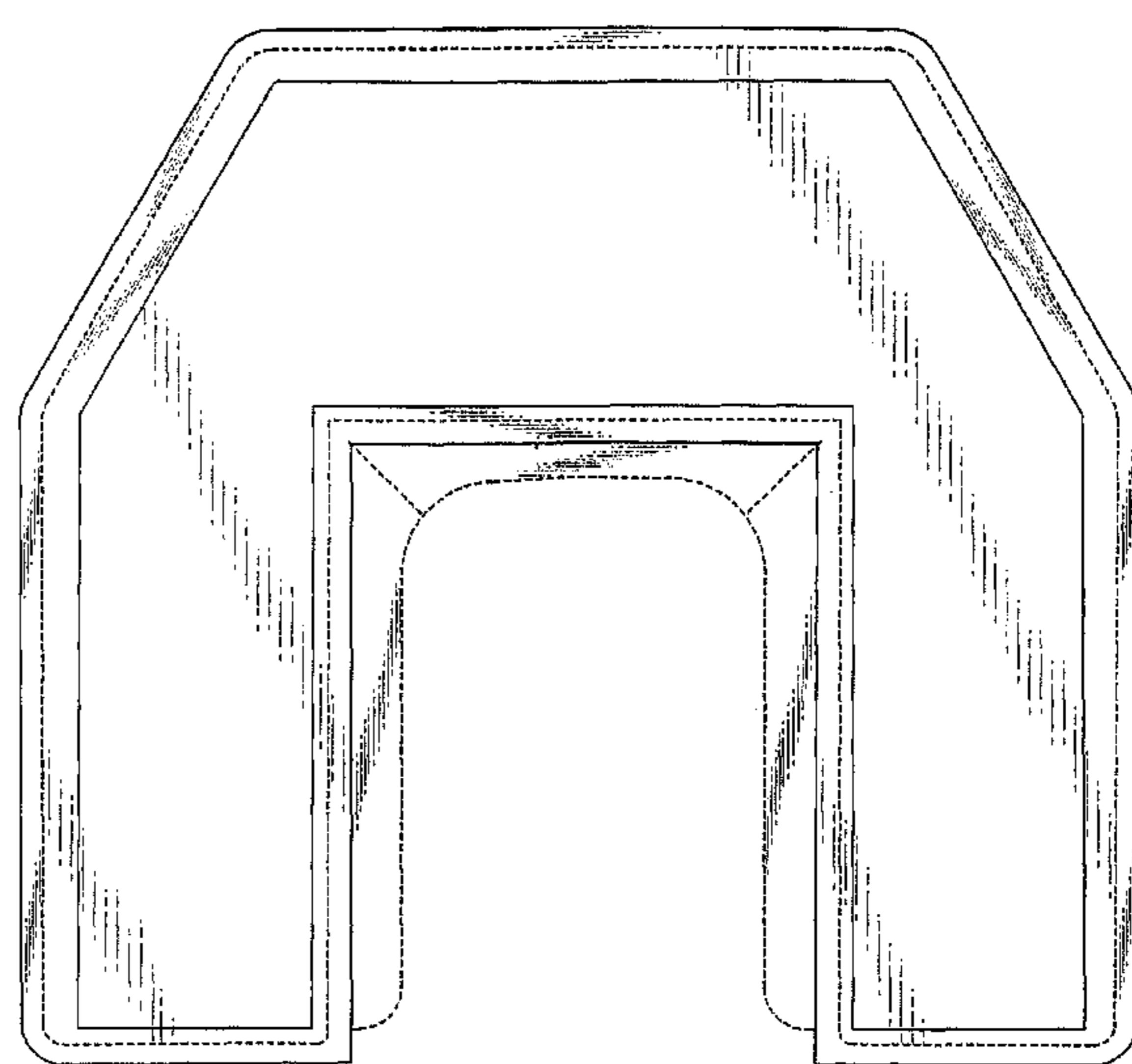
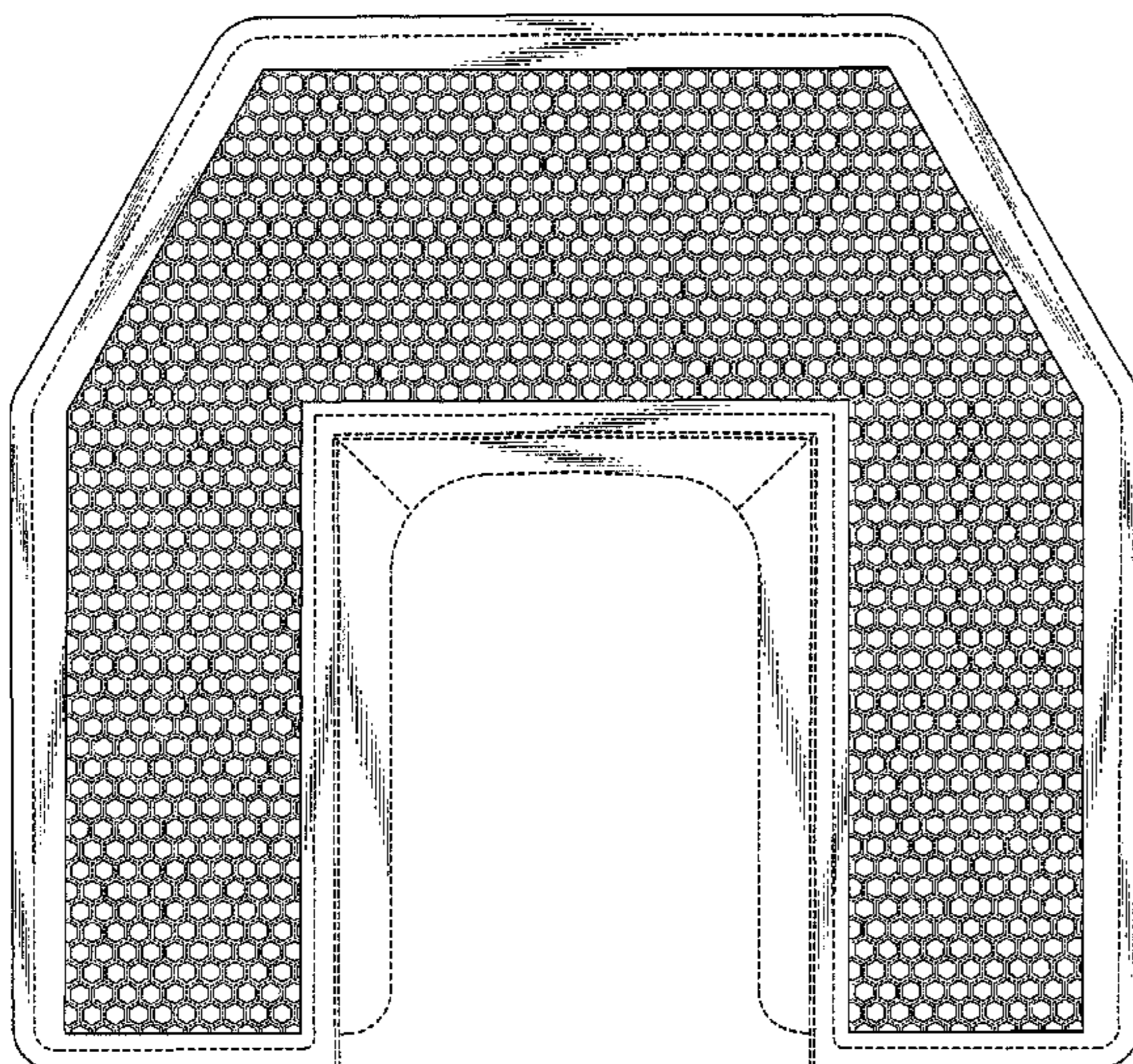
(57) **CLAIM**

The ornamental design for surface protection mat, as shown and described.

**DESCRIPTION**

FIG. 1 is a top view showing a surface protection mat; FIG. 2 is a bottom view thereof; FIG. 3 is a front view thereof; FIG. 4 is a rear view thereof; FIG. 5 is an oblique and enlarged detail view showing an area within the peripheral border of the design of FIG. 1; and, FIG. 6 is a side view of the design of FIG. 1. The broken lines upon the surface of the surface protection mat form no part of the claimed design. The object feature surrounding the inside perimeter of the design represents unclaimed environmental subject matter.

**1 Claim, 2 Drawing Sheets**



# US D642,003 S

Page 2

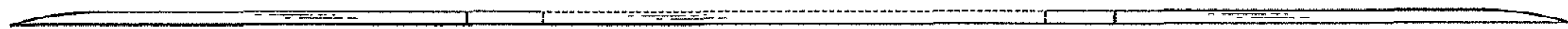
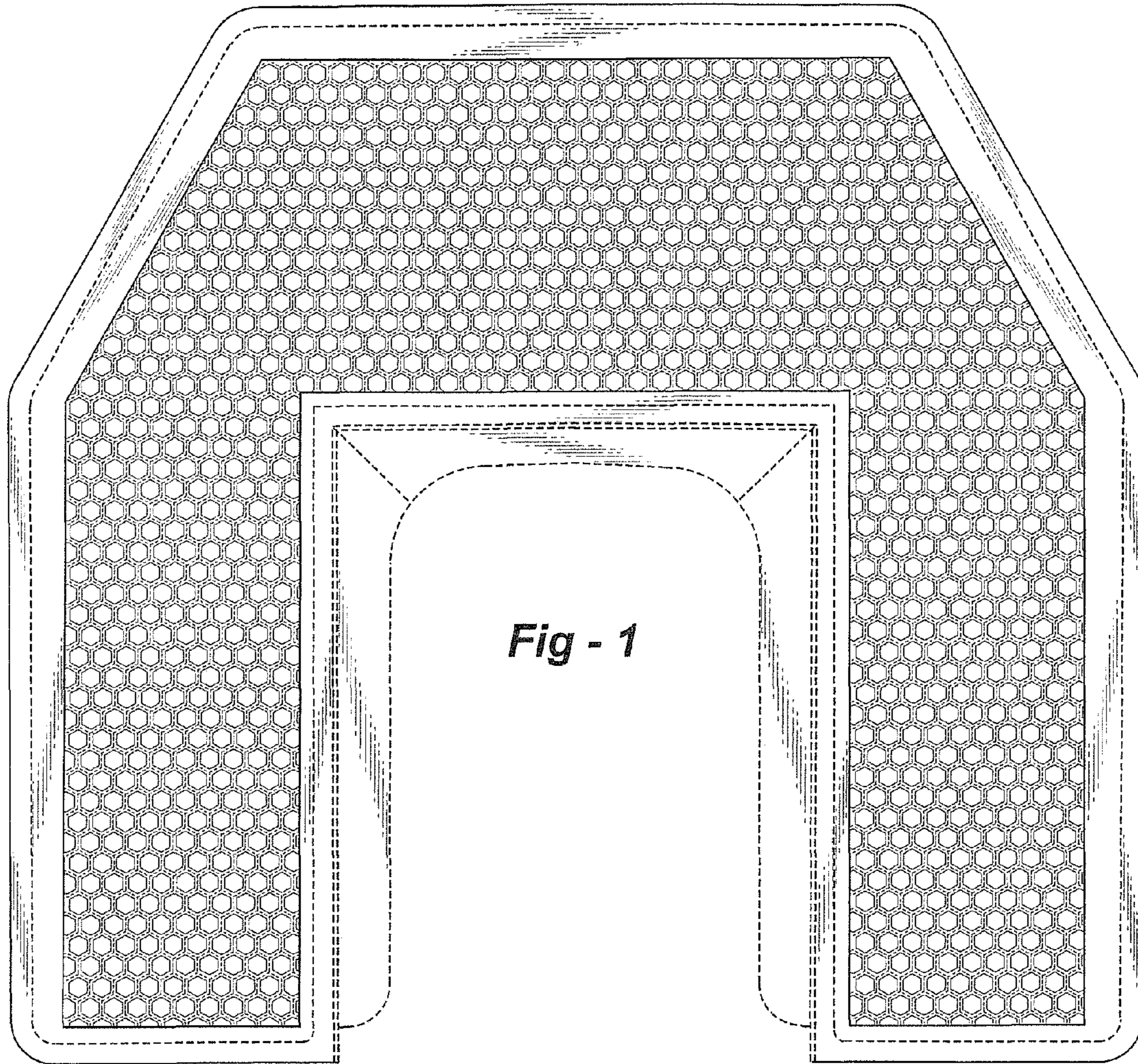
---

## U.S. PATENT DOCUMENTS

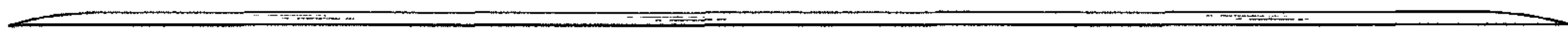
6,673,409 B1 1/2004 Wheatley  
D493,999 S 8/2004 Ruhl et al.  
D497,277 S 10/2004 Ruhl et al.  
6,875,494 B2 4/2005 Burns et al.

D552,910 S \* 10/2007 Connor ..... D6/583  
2001/0053816 A1 12/2001 Kinoshita et al.  
2006/0029773 A1 2/2006 Waterman et al.  
2008/0280095 A1 11/2008 Wright

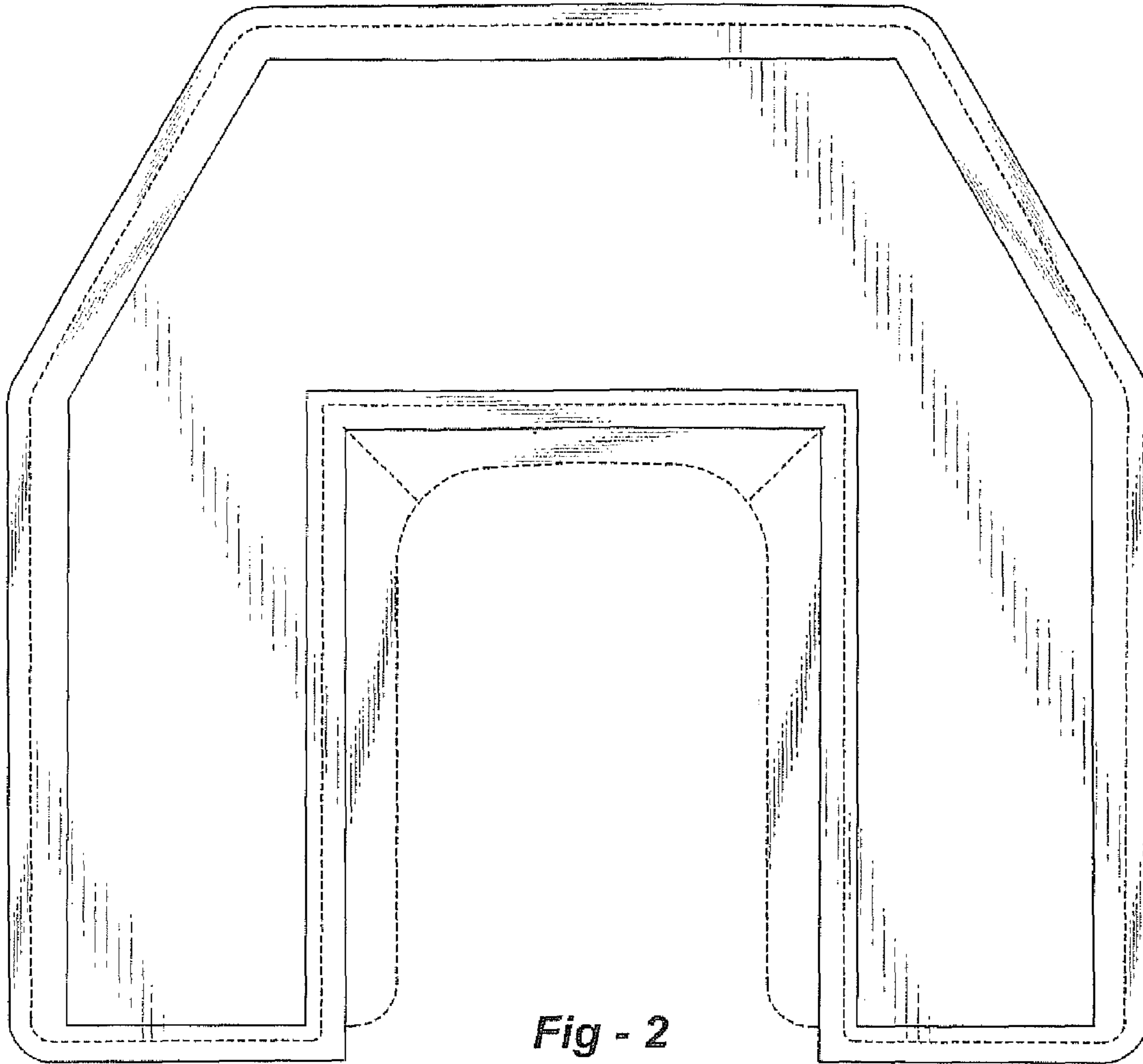
\* cited by examiner



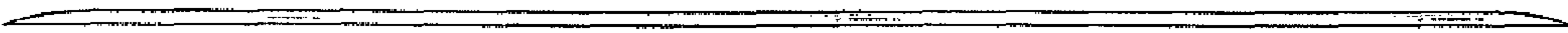
*Fig - 3*



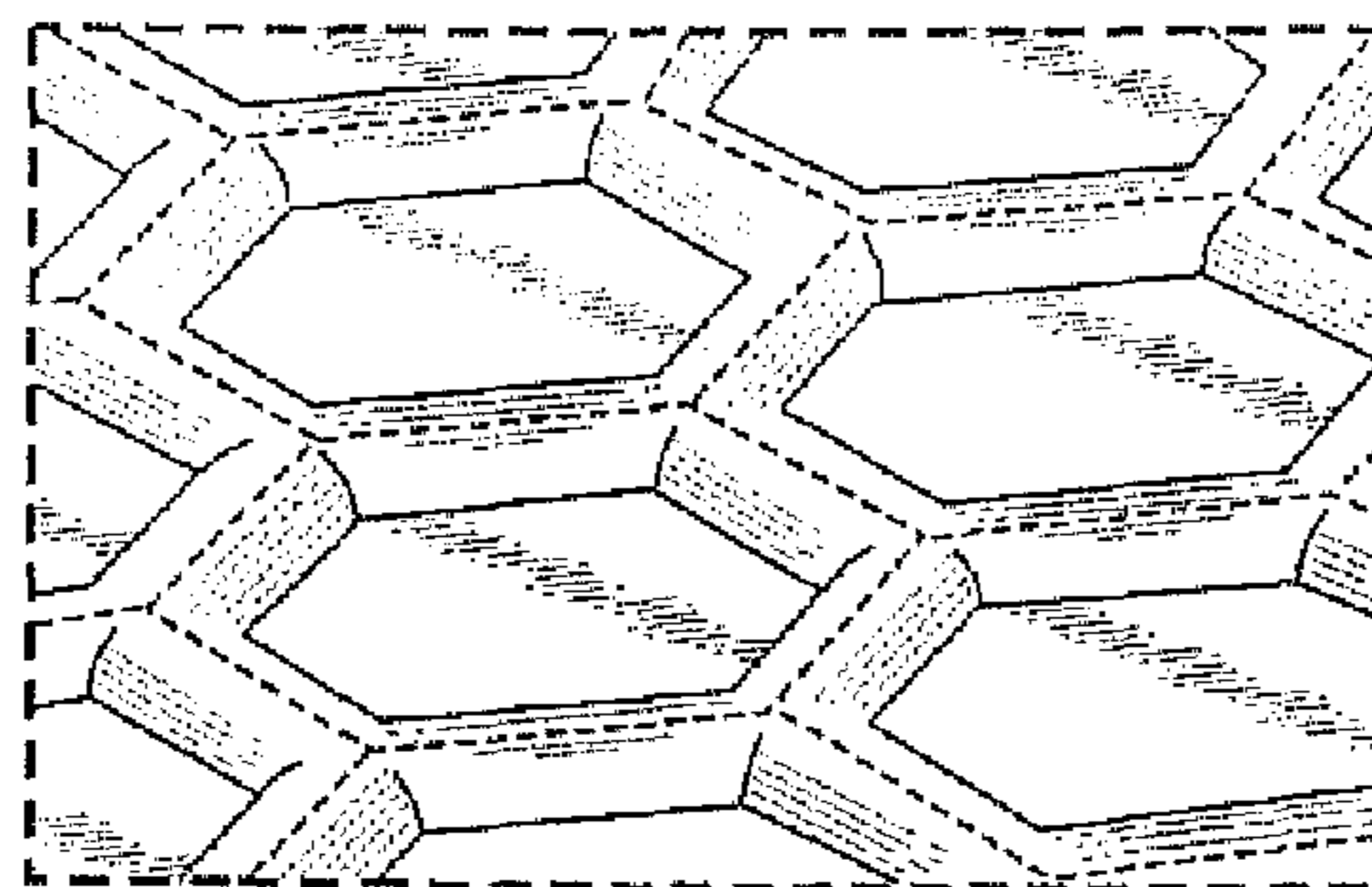
*Fig - 4*



*Fig - 2*



*Fig - 6*



*Fig - 5*