



US00D641998S

(12) **United States Design Patent**  
**Hazzard**

(10) **Patent No.:** **US D641,998 S**

(45) **Date of Patent:** **\*\* Jul. 26, 2011**

(54) **OFFICE CHAIR**

(75) **Inventor:** **Tracy Leigh Hazzard**, Ladera Ranch,  
CA (US)

(73) **Assignee:** **Whalen Furniture Manufacturing,**  
**Inc.**, San Diego, CA (US)

(\*\*) **Term:** **14 Years**

(21) **Appl. No.:** **29/368,623**

(22) **Filed:** **Aug. 26, 2010**

(51) **LOC (9) Cl.** ..... **06-01**

(52) **U.S. Cl.** ..... **D6/500**

(58) **Field of Classification Search** ..... D6/334-336,  
D6/364, 365, 366, 367, 374, 476, 379, 380,  
D6/500-502; 297/300.1, 300.2, 411.27,  
297/411.36, 452.18, 452.29, 452.3

See application file for complete search history.

(56) **References Cited**

**U.S. PATENT DOCUMENTS**

D471,024 S *	3/2003	Chadwick et al.	.....	D6/366
D476,493 S *	7/2003	Nagamitsu	.....	D6/366
D476,820 S *	7/2003	Nagamitsu	.....	D6/366
D477,469 S *	7/2003	Brooks	.....	D6/366
D499,895 S *	12/2004	Olson et al.	.....	D6/366
D501,612 S *	2/2005	Koch et al.	.....	D6/366
D505,024 S *	5/2005	Bellin	.....	D6/366

D509,671 S *	9/2005	Olson et al.	.....	D6/366
D509,969 S *	9/2005	Loew et al.	.....	D6/366
D534,364 S *	1/2007	Loew et al.	.....	D6/366
D542,580 S *	5/2007	Loew et al.	.....	D6/502
D543,385 S *	5/2007	Loew et al.	.....	D6/500
D543,397 S *	5/2007	Loew et al.	.....	D6/502
D557,914 S *	12/2007	Ong	.....	D6/366
D564,767 S *	3/2008	Huang	.....	D6/366

\* cited by examiner

*Primary Examiner* — Mimoso De

(74) *Attorney, Agent, or Firm* — Barlow, Josephs & Holmes,  
Ltd.

(57) **CLAIM**

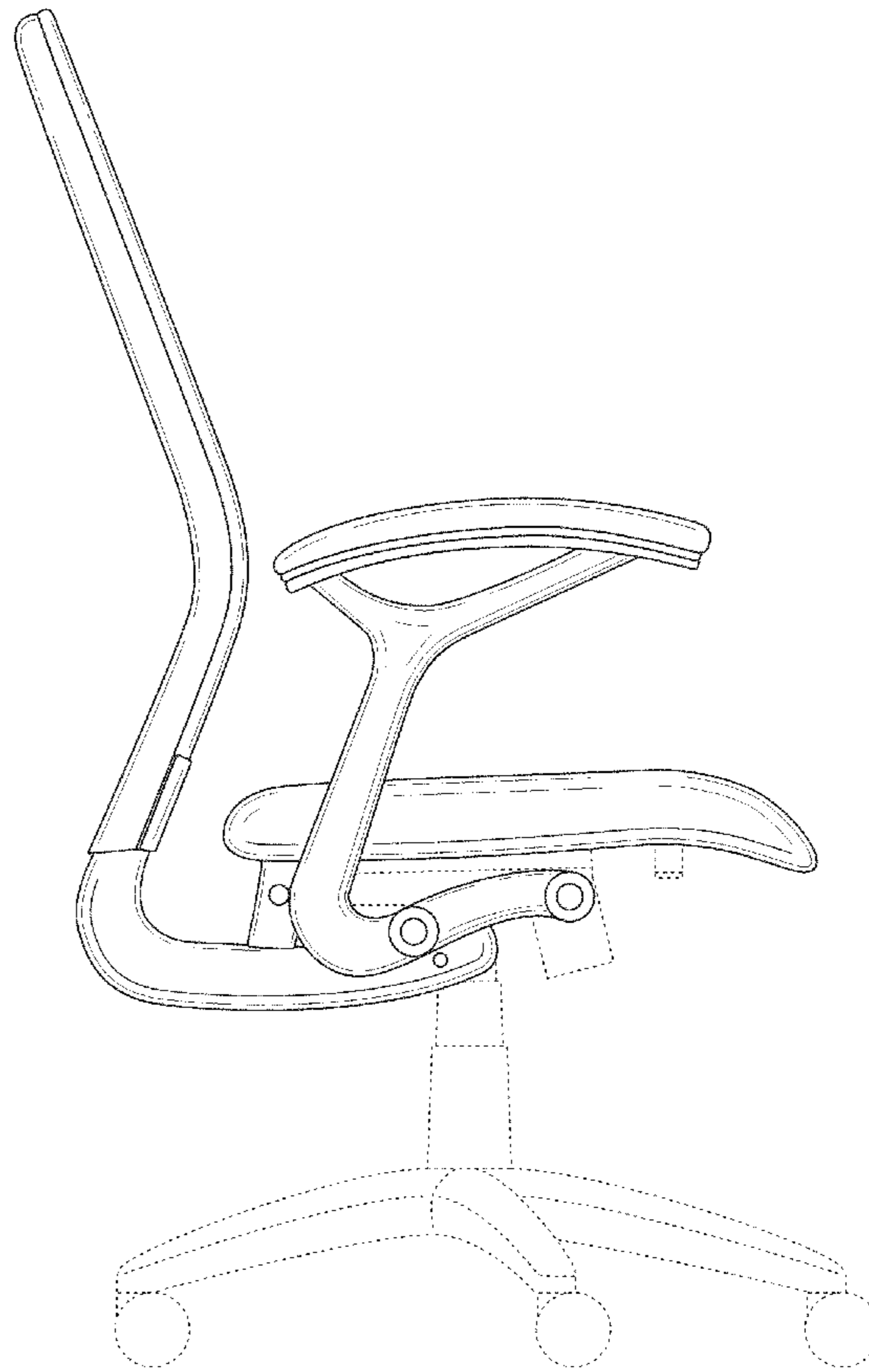
The ornamental design for office chair, as shown and described.

**DESCRIPTION**

FIG. 1 is a front perspective view of the office chair in accordance with the present invention;  
FIG. 2 is a front view thereof;  
FIG. 3 is a rear view thereof;  
FIG. 4 is a left side view thereof;  
FIG. 5 is a right side view thereof;  
FIG. 6 is a top view thereof; and,  
FIG. 7 is a bottom view thereof.

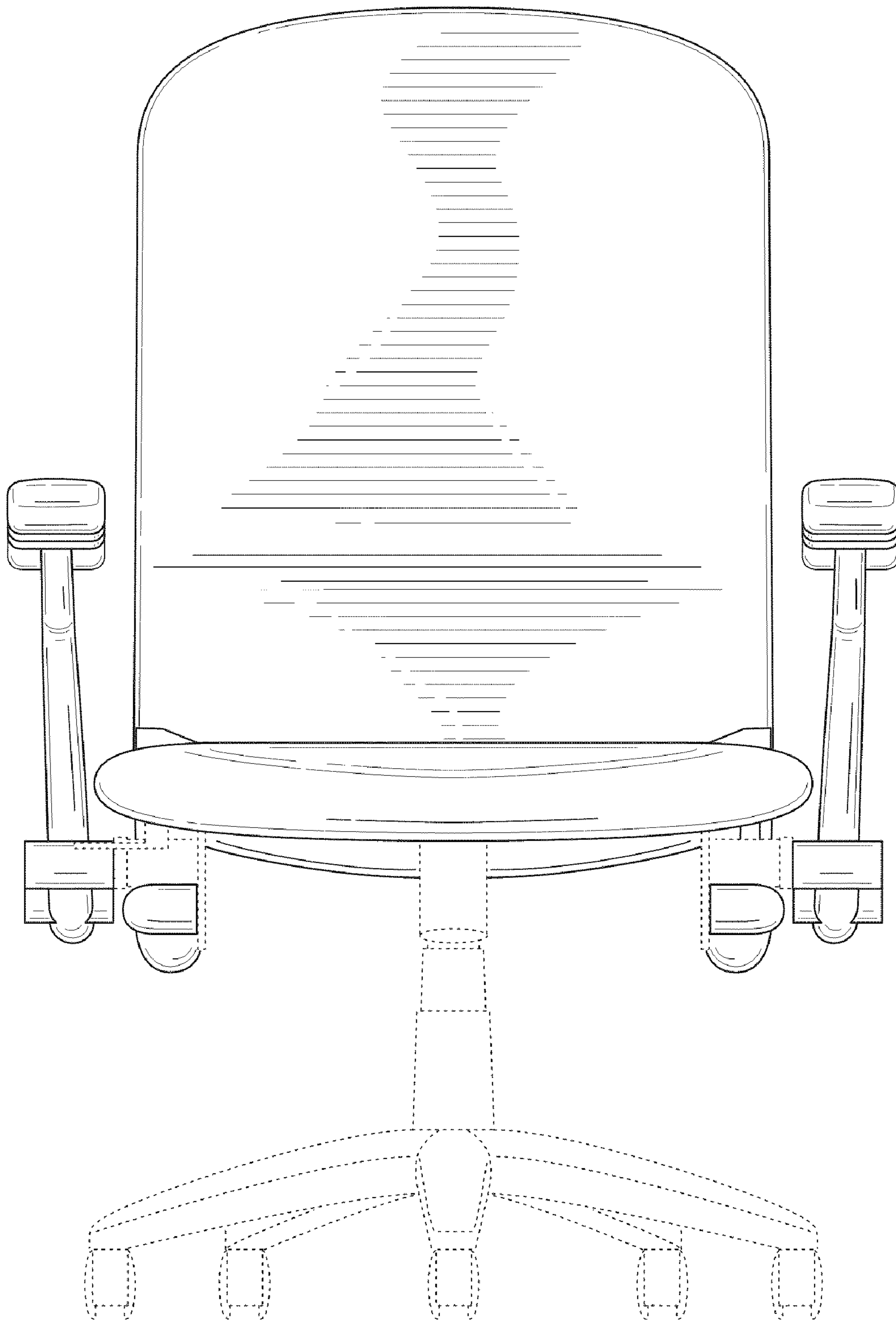
The portions of the design shown in broken line are present for illustrative purposes only and form no part of the claimed design.

**1 Claim, 7 Drawing Sheets**

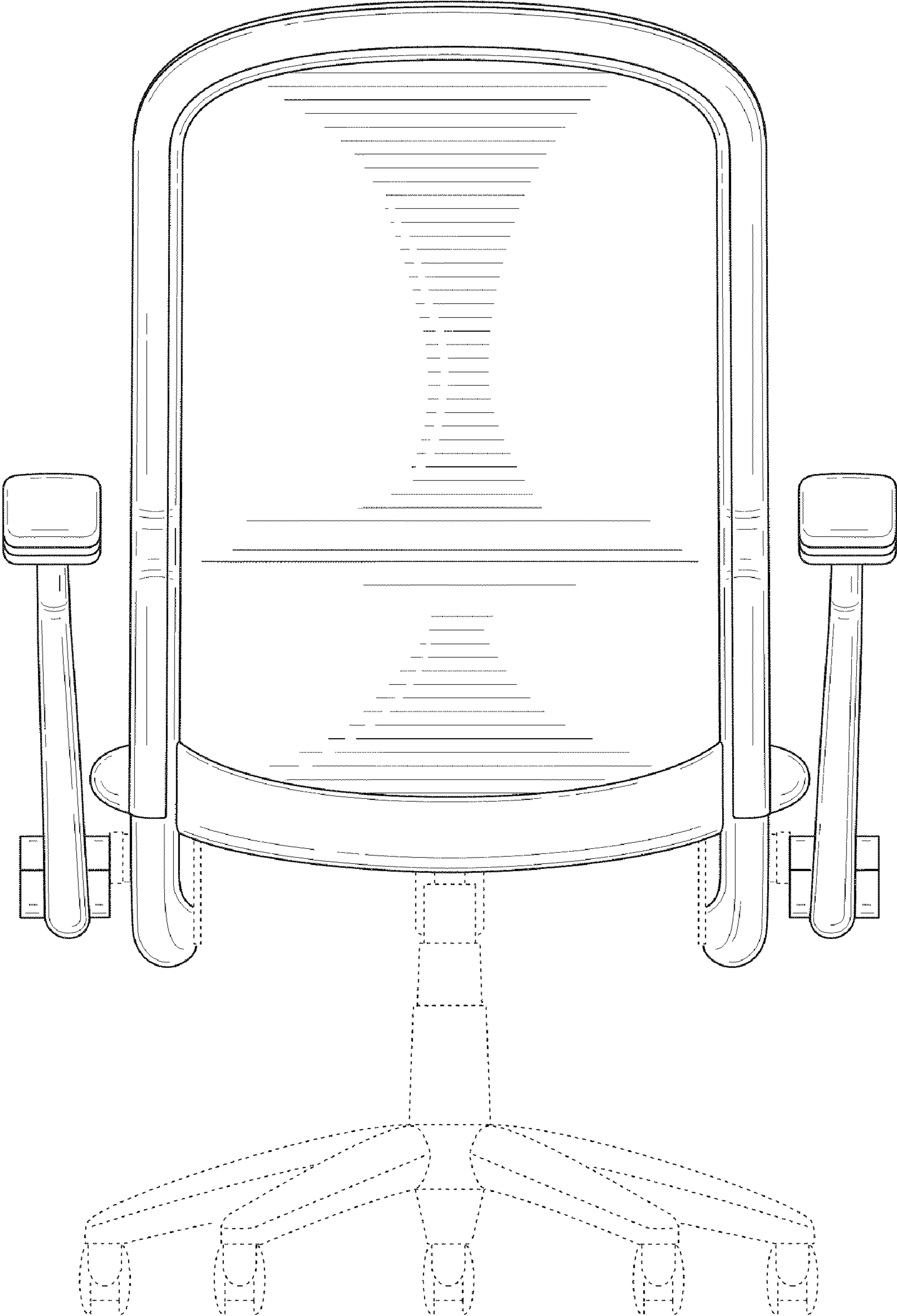




**FIG. 1**



**FIG. 2**



**FIG. 3**

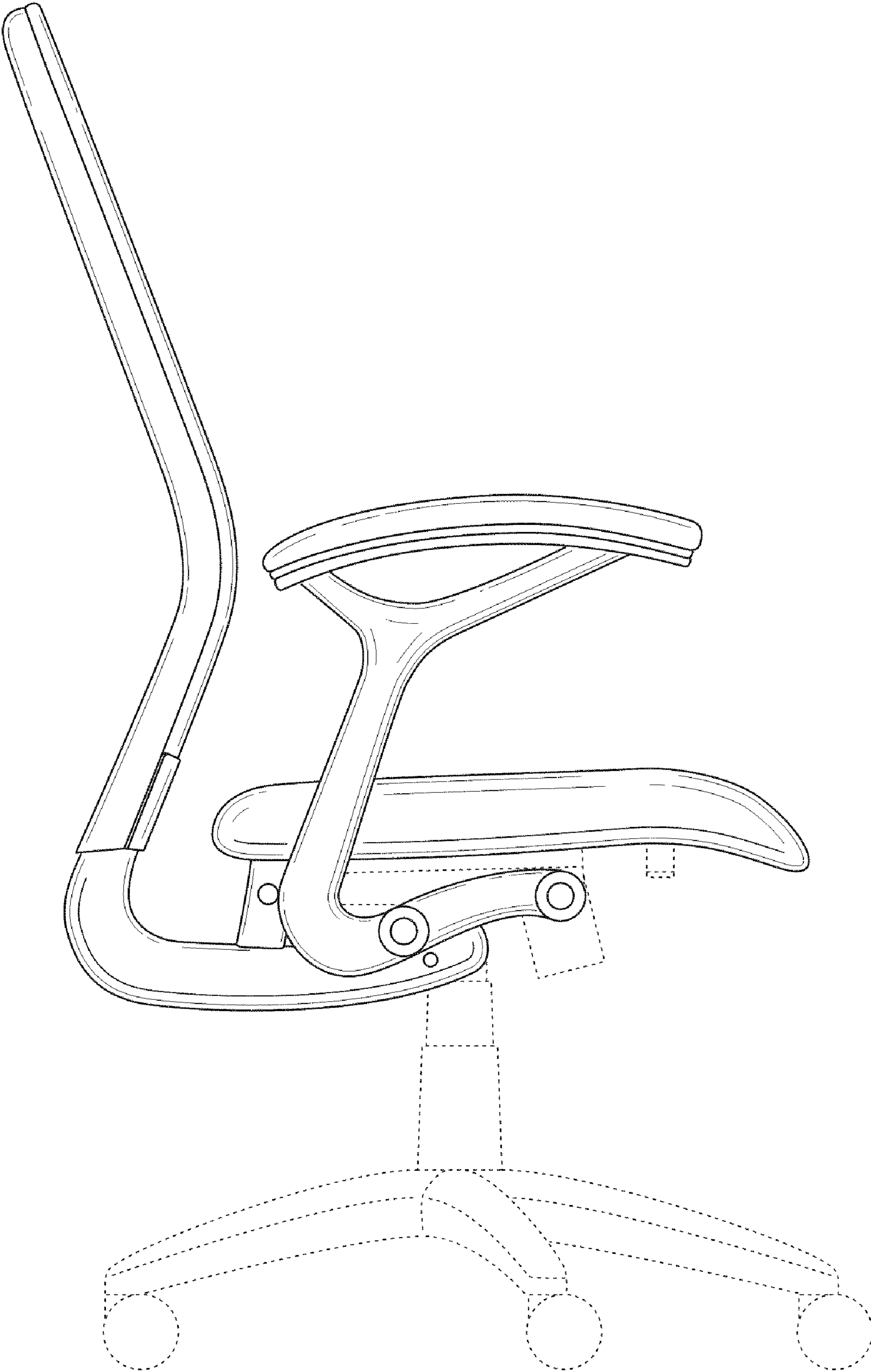
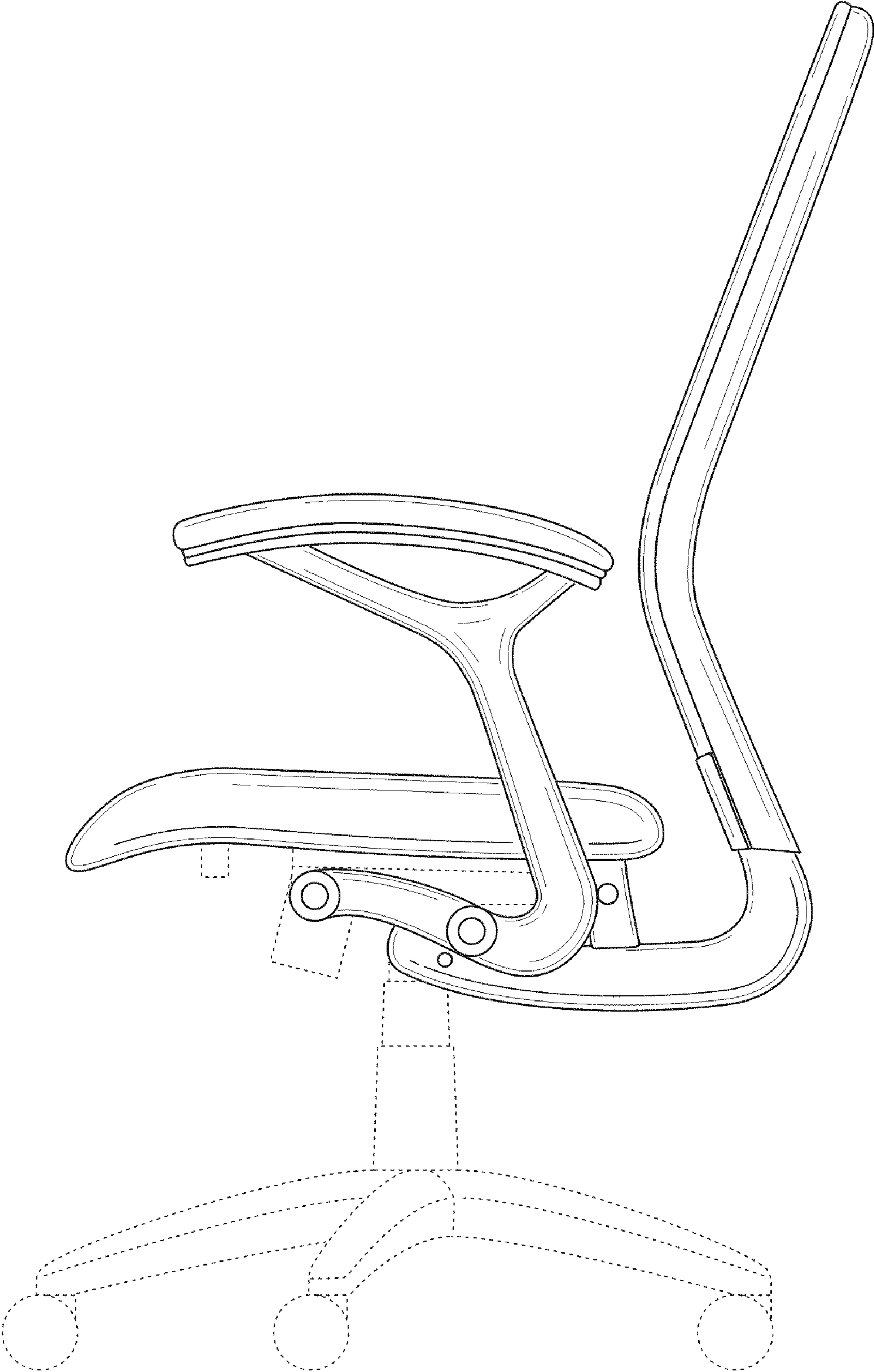
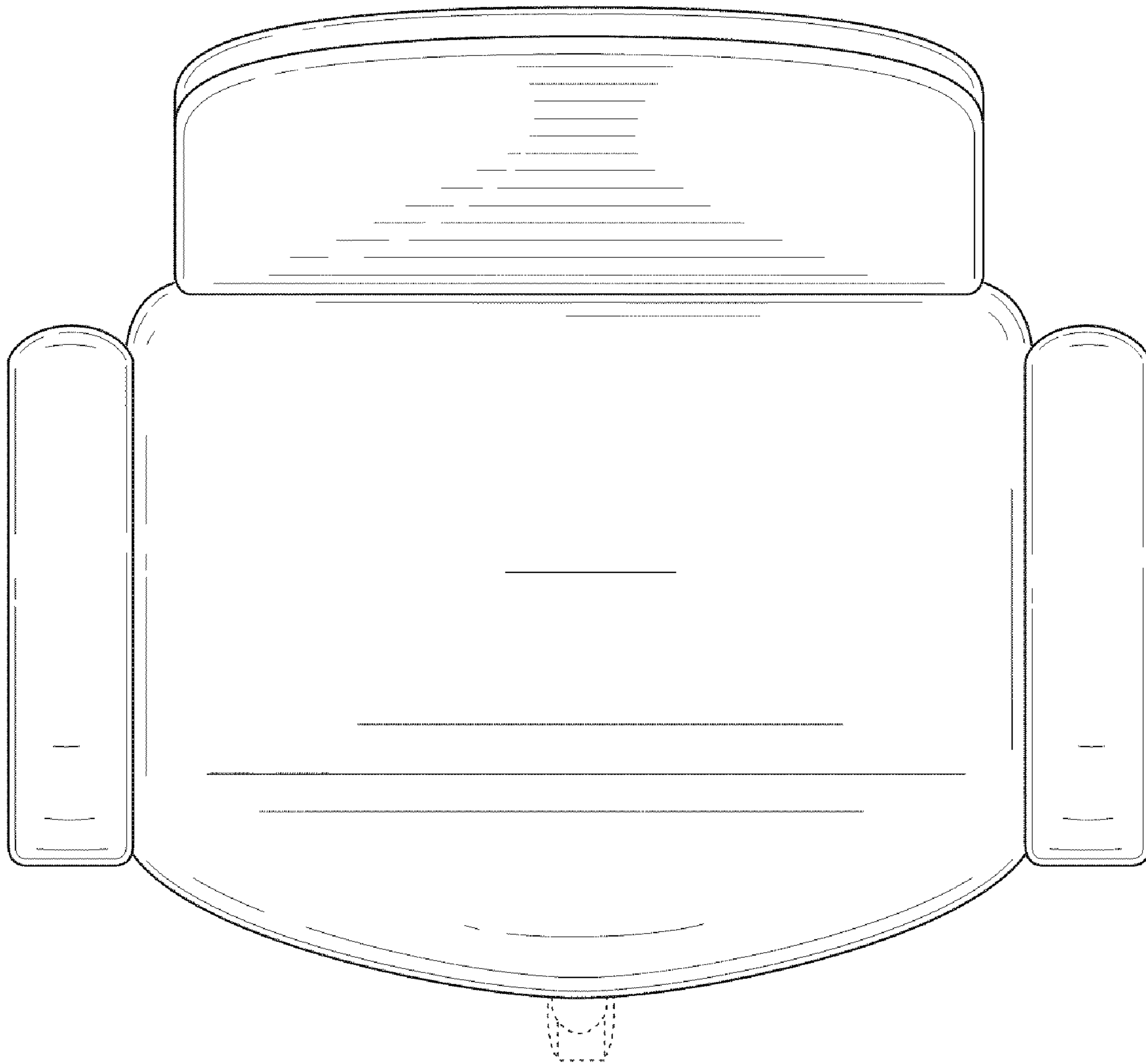


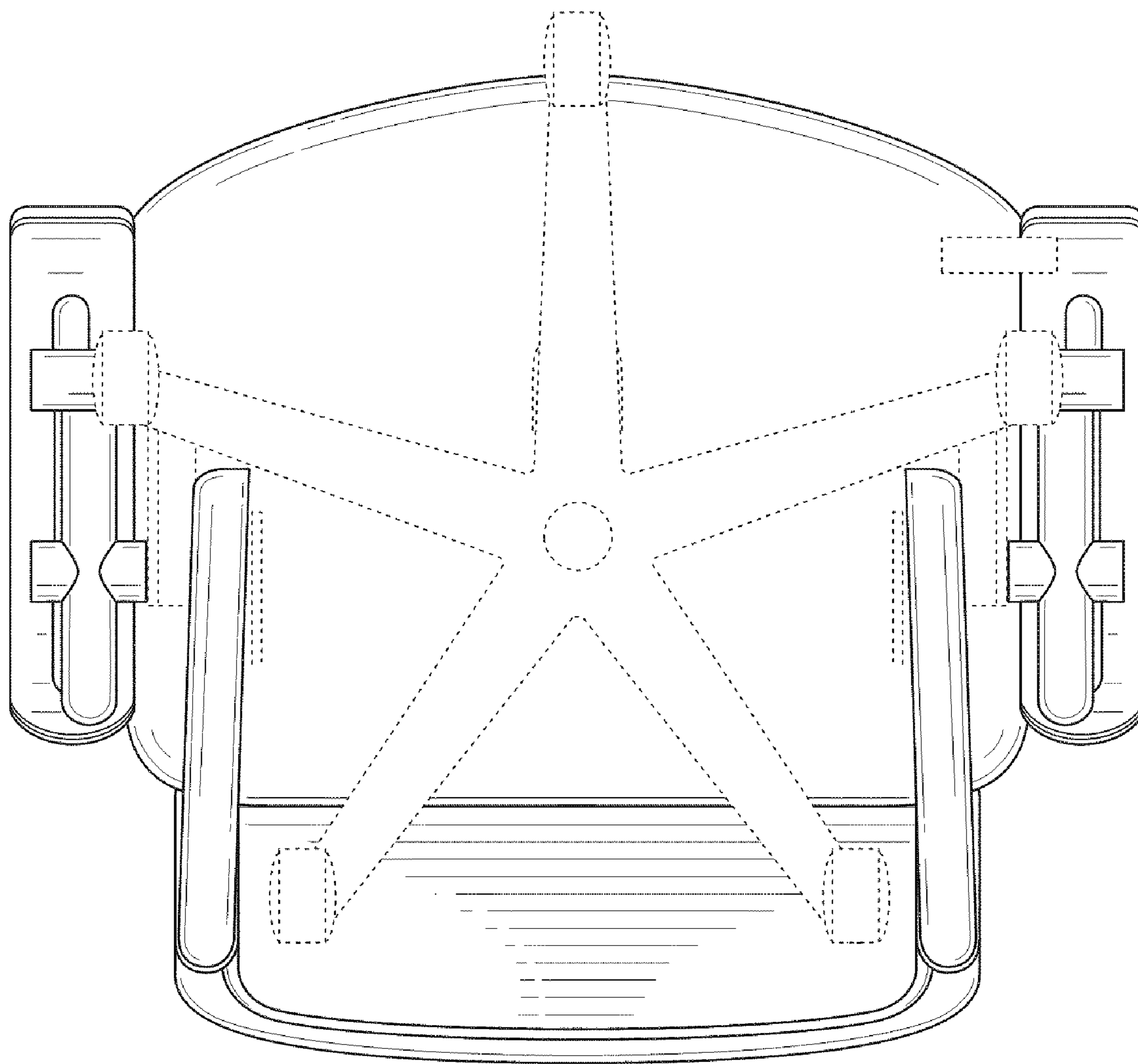
FIG. 4



**FIG. 5**



**FIG. 6**



**FIG. 7**