



US00D641996S

(12) **United States Design Patent**
Wahl et al.

(10) **Patent No.:** **US D641,996 S**
(45) **Date of Patent:** **** Jul. 26, 2011**

- (54) **TABLE**
- (75) Inventors: **Paul J. Wahl**, Ferdinand, IN (US);
Sherry A. Foster, Jasper, IN (US);
Cynthia A. Wehr, Jasper, IN (US);
Deaderia W. Morris, Frederick, MD
(US)
- (73) Assignee: **Kimball International, Inc.**, Jasper, IN
(US)
- (**) Term: **14 Years**
- (21) Appl. No.: **29/356,338**
- (22) Filed: **Feb. 24, 2010**
- (51) **LOC (9) Cl.** **06-03**
- (52) **U.S. Cl.** **D6/480**
- (58) **Field of Classification Search** D6/480-489,
D6/495-499, 429-431, 451; 108/153.1,
108/156, 157.1, 161; 248/188, 188.1, 188.7,
248/188.8
See application file for complete search history.

- D495,534 S * 9/2004 Roscoe D6/480
- D497,742 S * 11/2004 Dortch D6/480
- D498,370 S 11/2004 Paus
- D504,251 S 4/2005 Kreiss
- D529,309 S 10/2006 Juneau et al.
- D540,570 S 4/2007 Bibi
- D546,589 S 7/2007 Kreiss
- D569,127 S 5/2008 Kanthasamy
- D575,964 S 9/2008 Liu

* cited by examiner

Primary Examiner — Janice Seeger
(74) *Attorney, Agent, or Firm* — Baker & Daniels LLP

(57) **CLAIM**
The ornamental design for a table, as shown and described.

DESCRIPTION

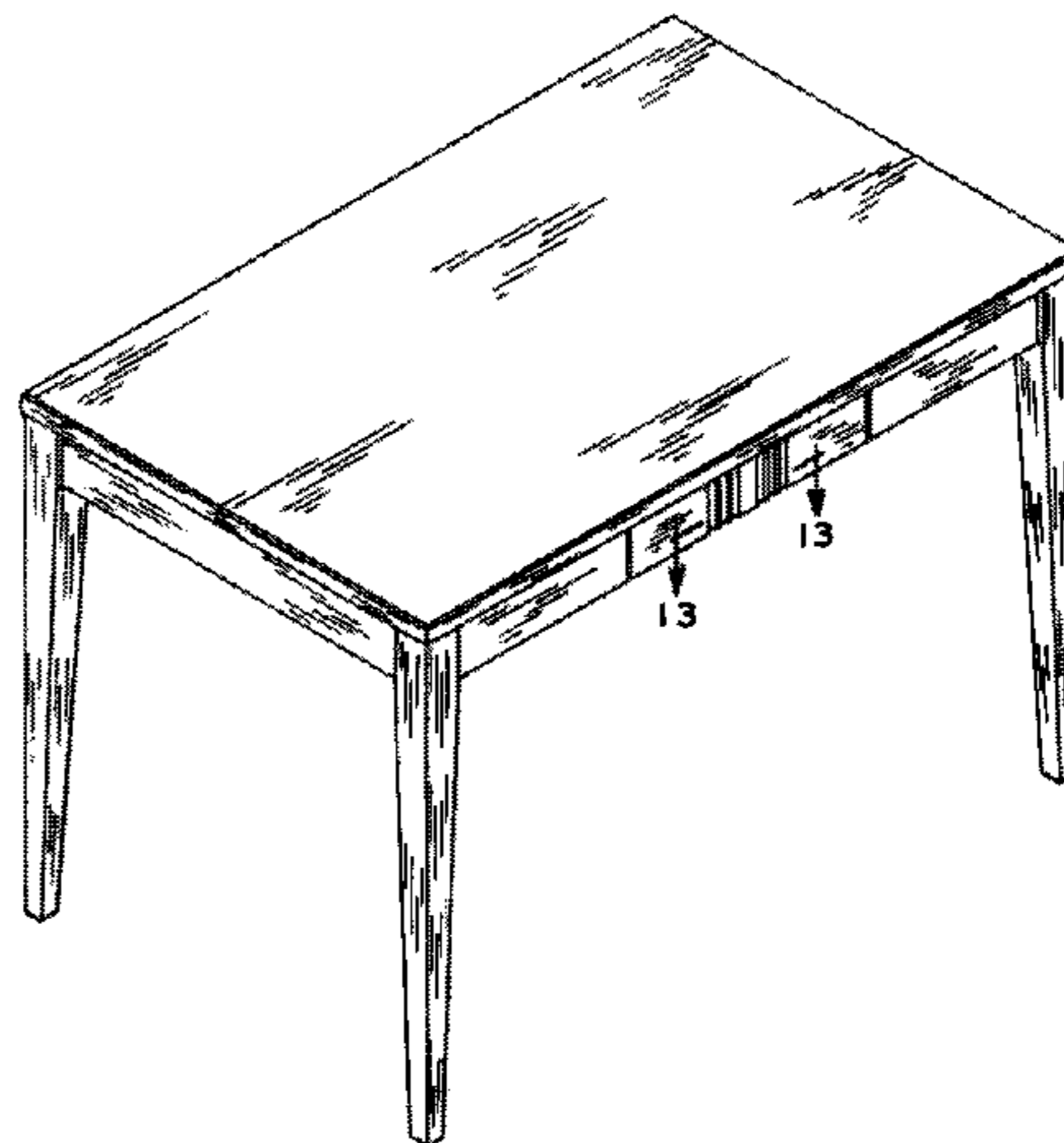
FIG. 1 is a front perspective view of a table according to a first embodiment;
 FIG. 2 is a front view thereof;
 FIG. 3 is a rear view thereof;
 FIG. 4 is a side view thereof, it being understood that the left and right sides are identical; and
 FIG. 5 is a top view thereof.
 FIG. 6 is a front perspective view of a table according to a second embodiment;
 FIG. 7 is a front view thereof;
 FIG. 8 is a side view thereof, it being understood that the left and right sides are identical; and
 FIG. 9 is a top view thereof.
 In the second embodiment, the rear forms no part of the claimed design.
 FIG. 10 is front perspective view of a table according to a third embodiment;
 FIG. 11 is a front/rear/side view thereof, it being understood that the front, rear, left, and right side views are identical;
 FIG. 12 is a top view thereof; and,
 FIG. 13 is a sectional view, taken along line 13-13 of FIG. 1 through the vertical groove detail, it being understood that this sectional view also corresponds to the same vertical groove detail shown in FIGS. 2, 3, 6, 7, 8, 10, and 11.

(56) **References Cited**

U.S. PATENT DOCUMENTS

| | | | |
|--------------|---------|---------------------|--------|
| D96,148 S | 7/1935 | Walker | |
| D100,165 S * | 6/1936 | Kalpakoff | D6/480 |
| D144,872 S | 5/1946 | Rhodes | |
| D175,195 S | 7/1955 | Streng | |
| D214,741 S | 7/1969 | Dean | |
| D233,873 S | 12/1974 | Mills | |
| D241,395 S | 9/1976 | Perl et al. | |
| D243,983 S * | 4/1977 | Carter | D6/484 |
| D285,505 S | 9/1986 | Billiet | |
| D300,889 S * | 5/1989 | Bartlett | D6/484 |
| D318,768 S | 8/1991 | Westland et al. | |
| D334,478 S | 4/1993 | Rogers | |
| D341,732 S | 11/1993 | Ferguson | |
| D343,073 S | 1/1994 | Black | |
| D371,017 S | 6/1996 | Walters, III et al. | |
| D407,245 S | 3/1999 | Lewis | |
| D440,071 S | 4/2001 | Hutton | |
| D451,700 S | 12/2001 | Vaaler | |
| D453,083 S * | 1/2002 | Hokanson | D6/484 |
| D484,717 S * | 1/2004 | de Blois | D6/484 |
| D485,451 S | 1/2004 | De Blois | |
| D488,640 S | 4/2004 | Domack | |

1 Claim, 6 Drawing Sheets



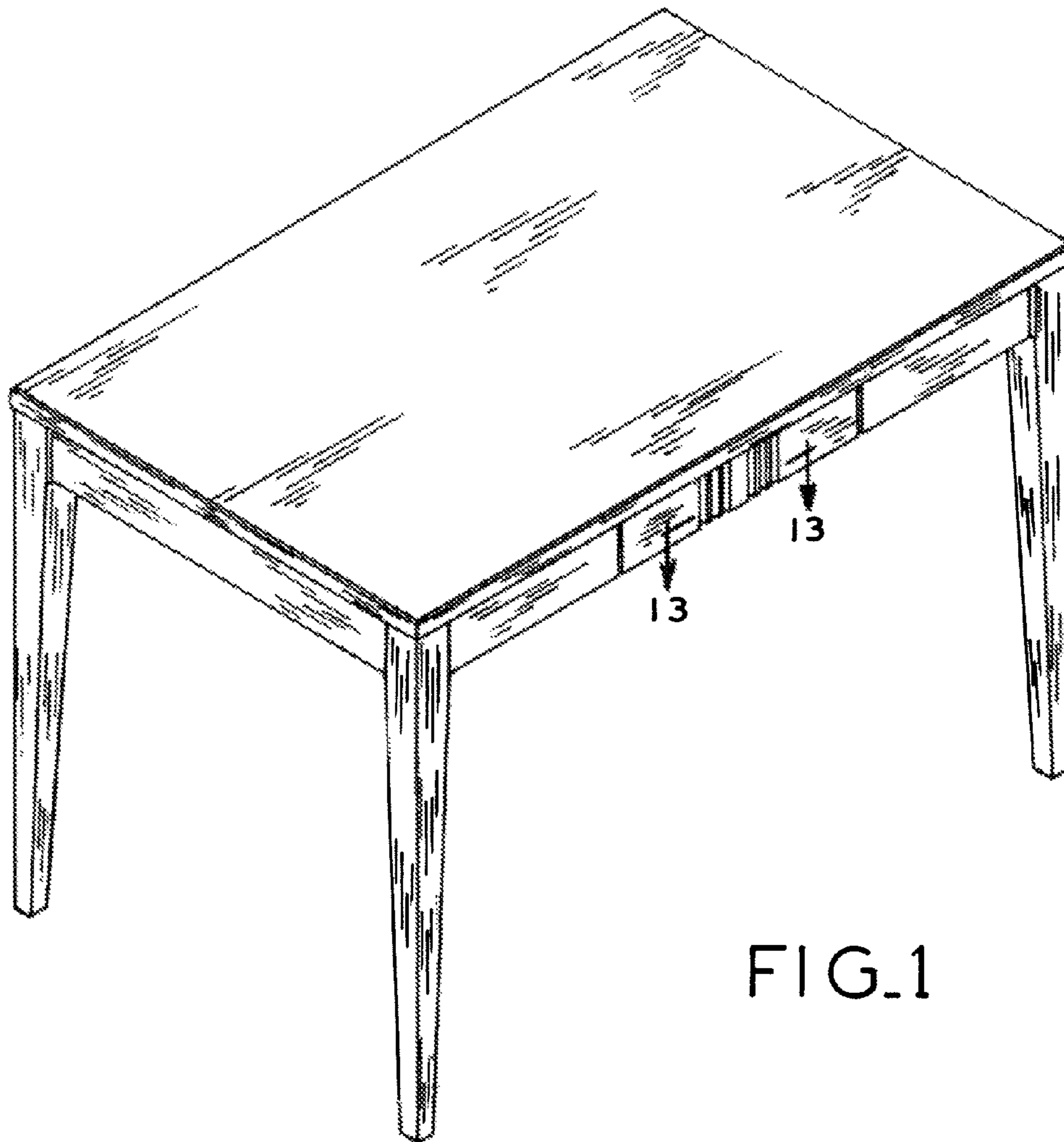


FIG. 1

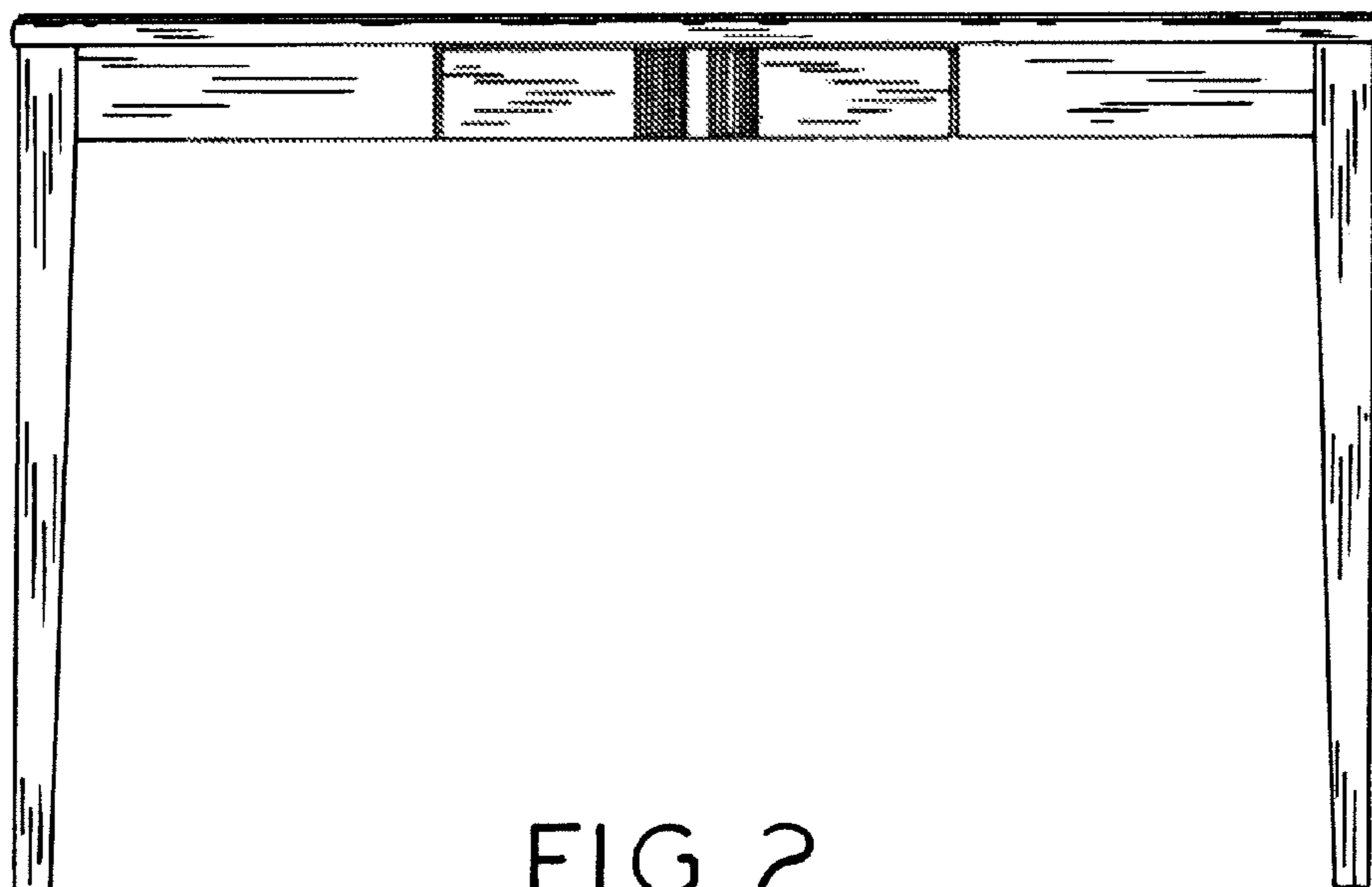


FIG. 2

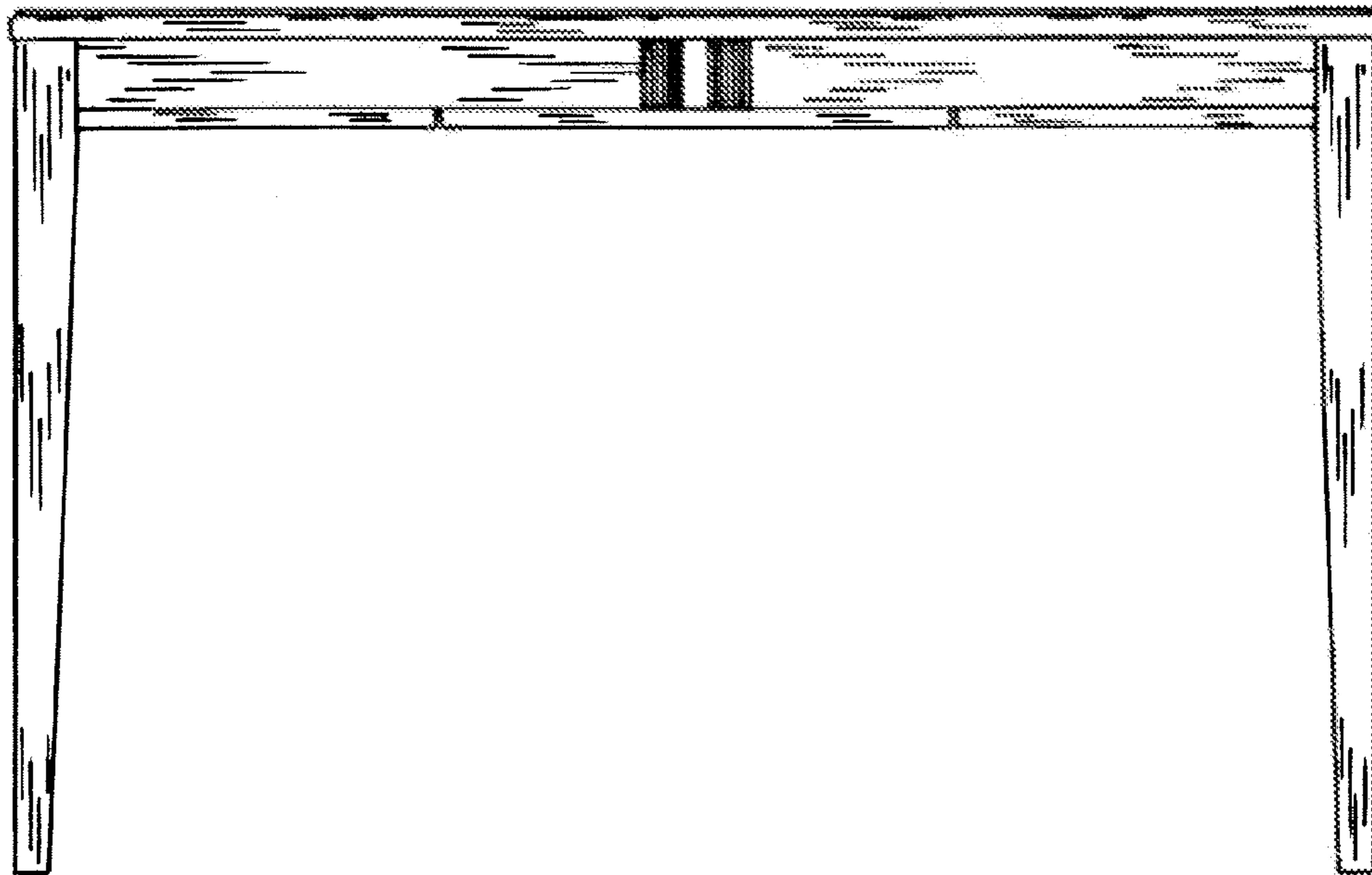


FIG. 3

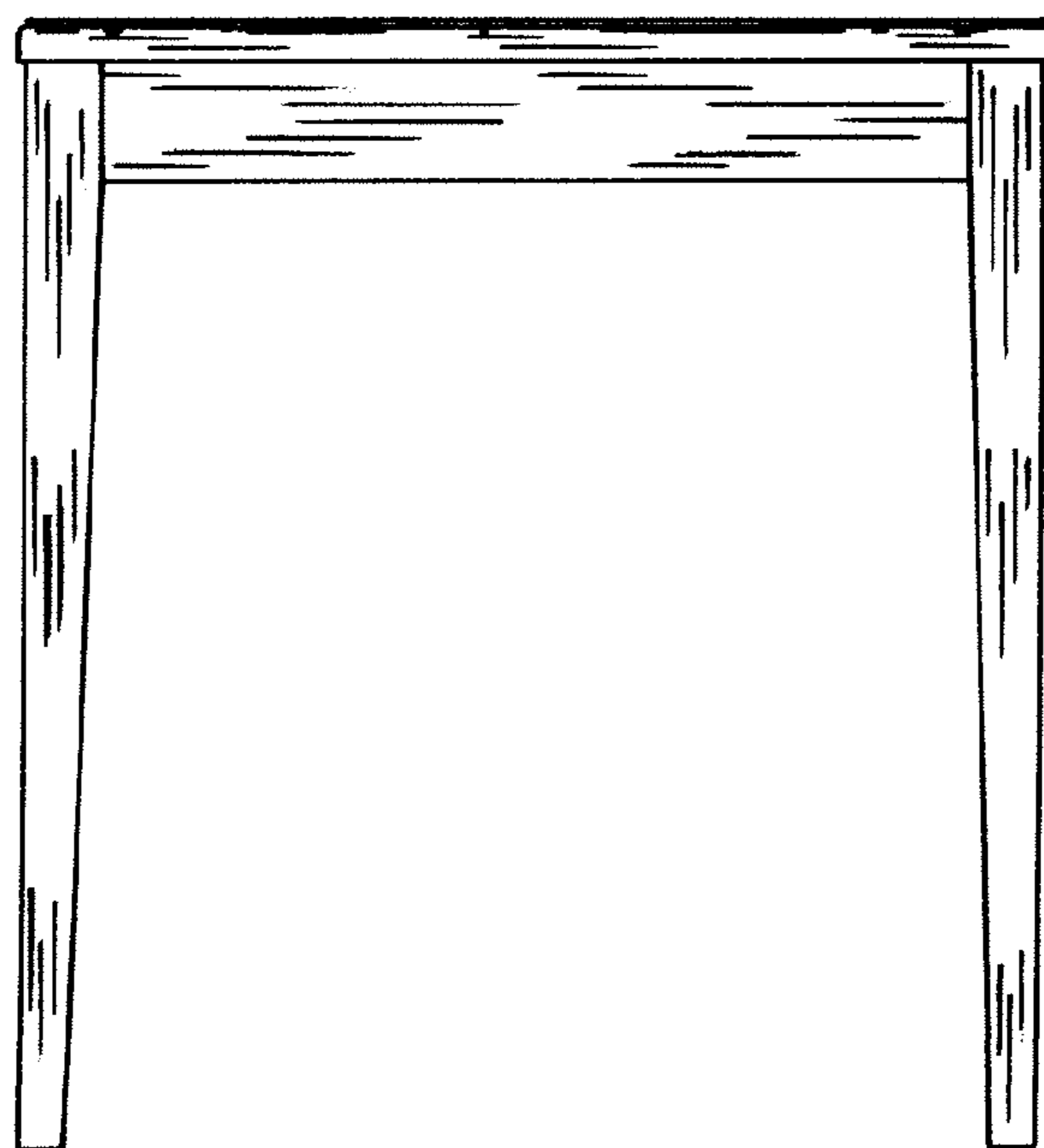


FIG. 4

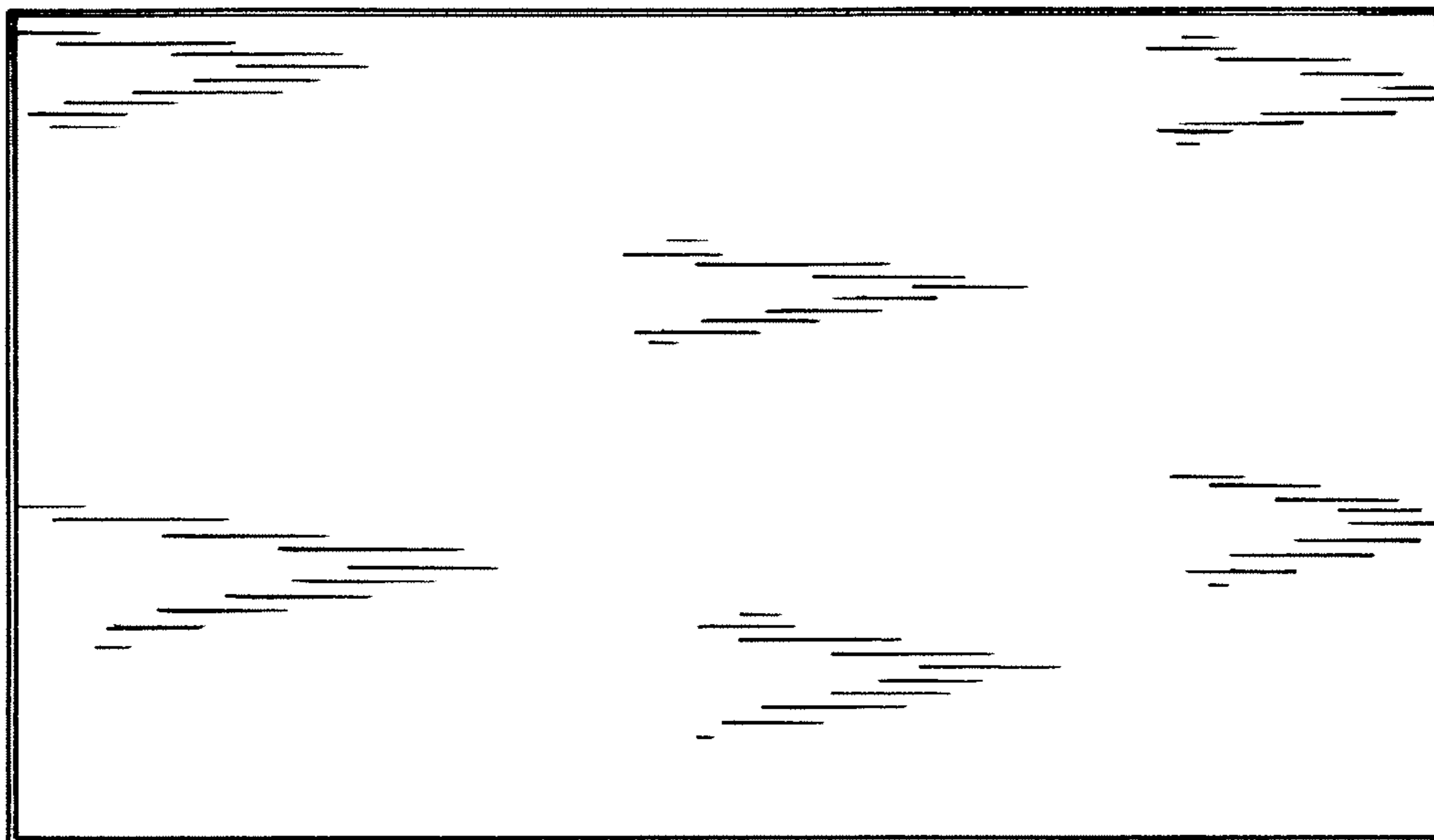


FIG. 5

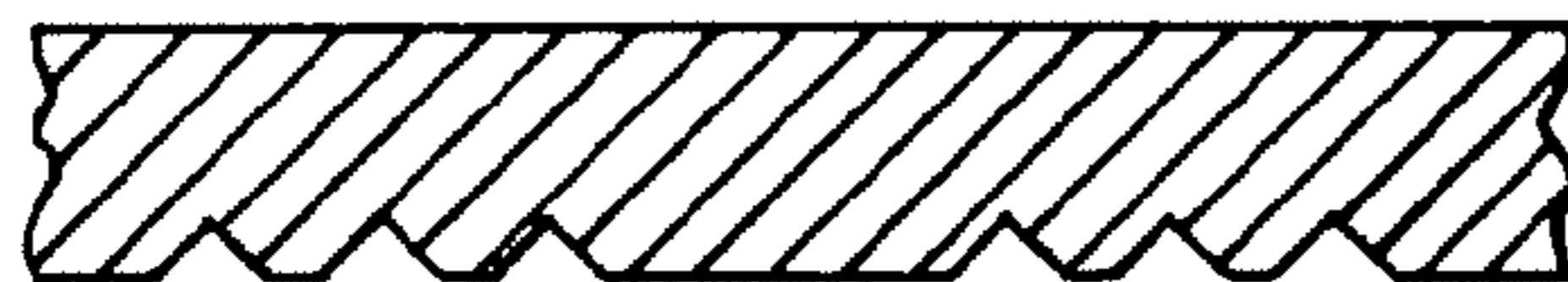


FIG. 13

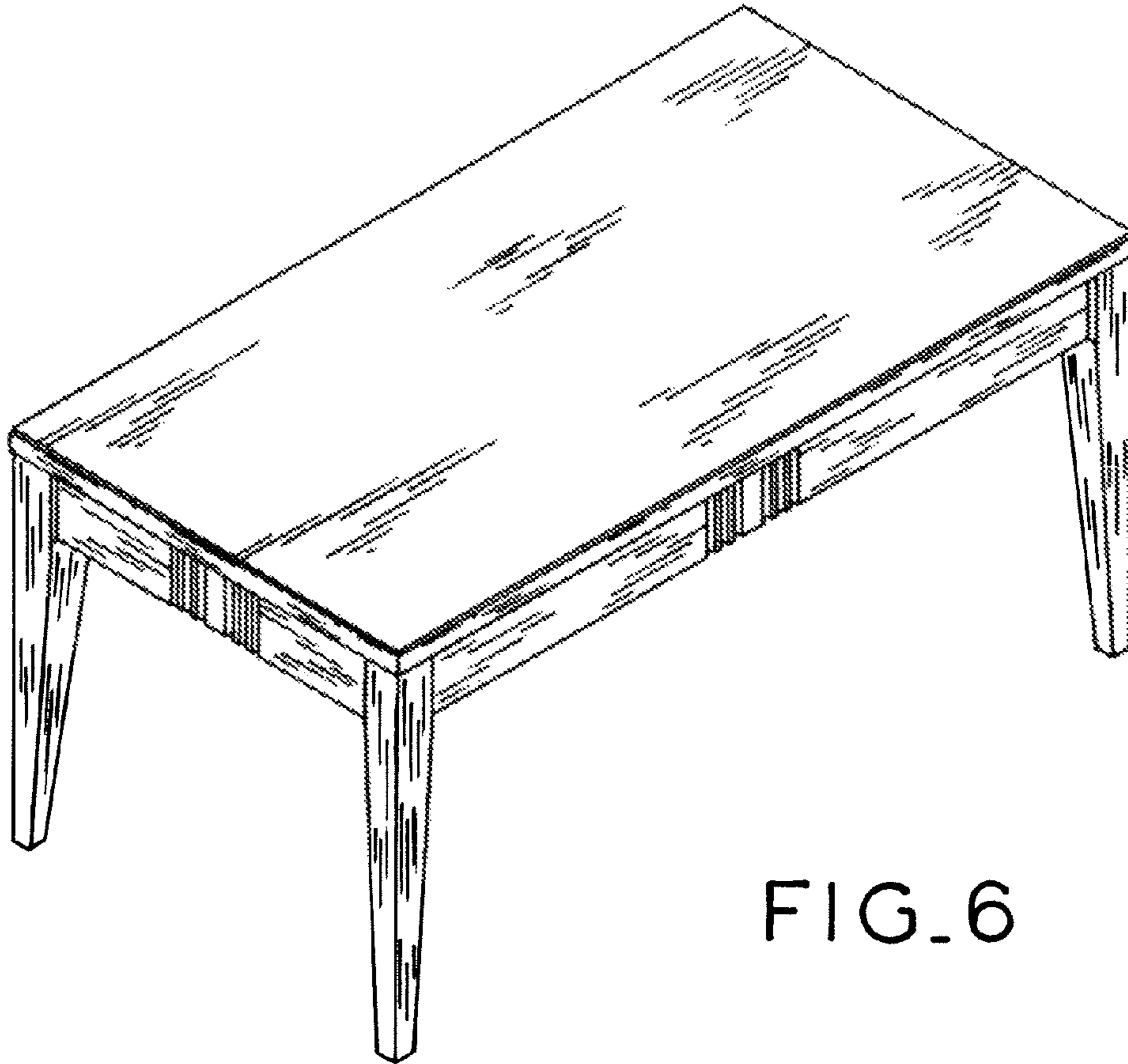


FIG. 6

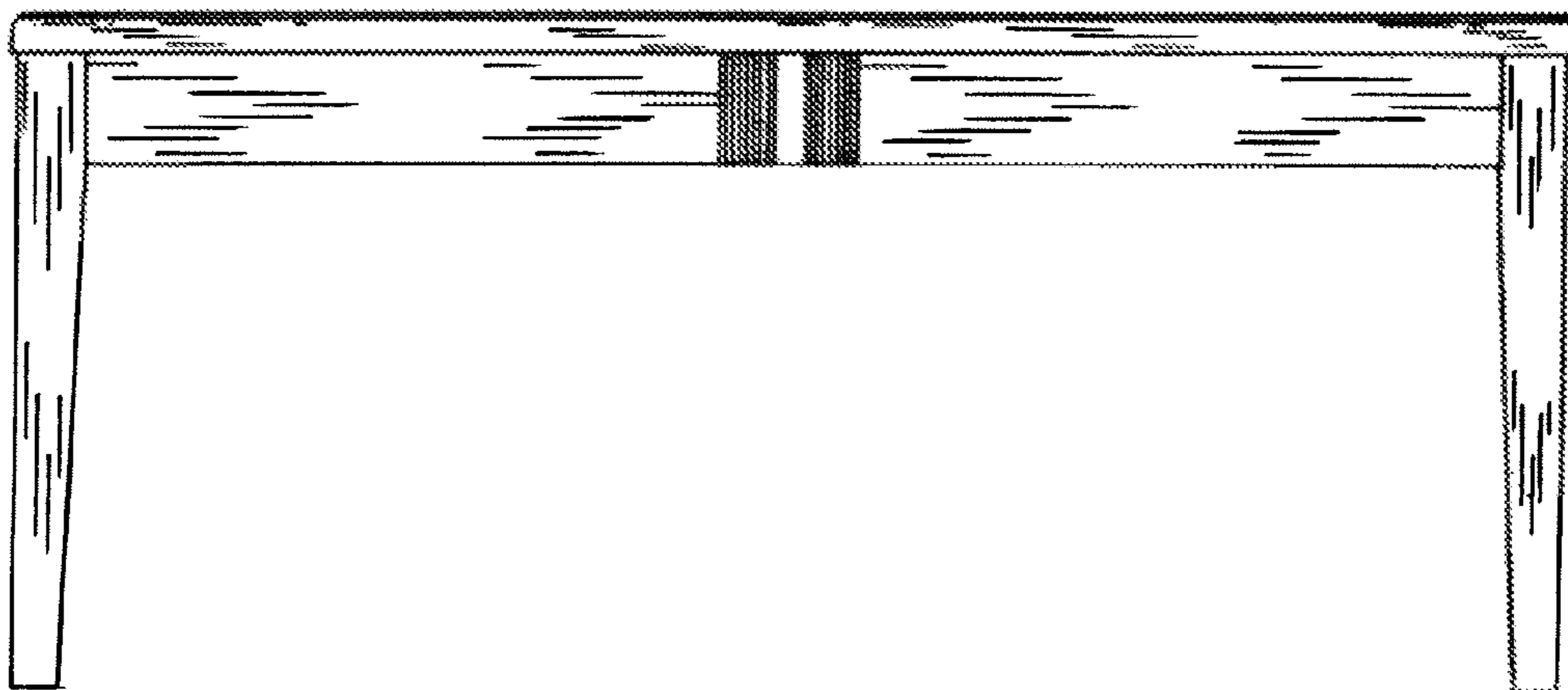


FIG. 7

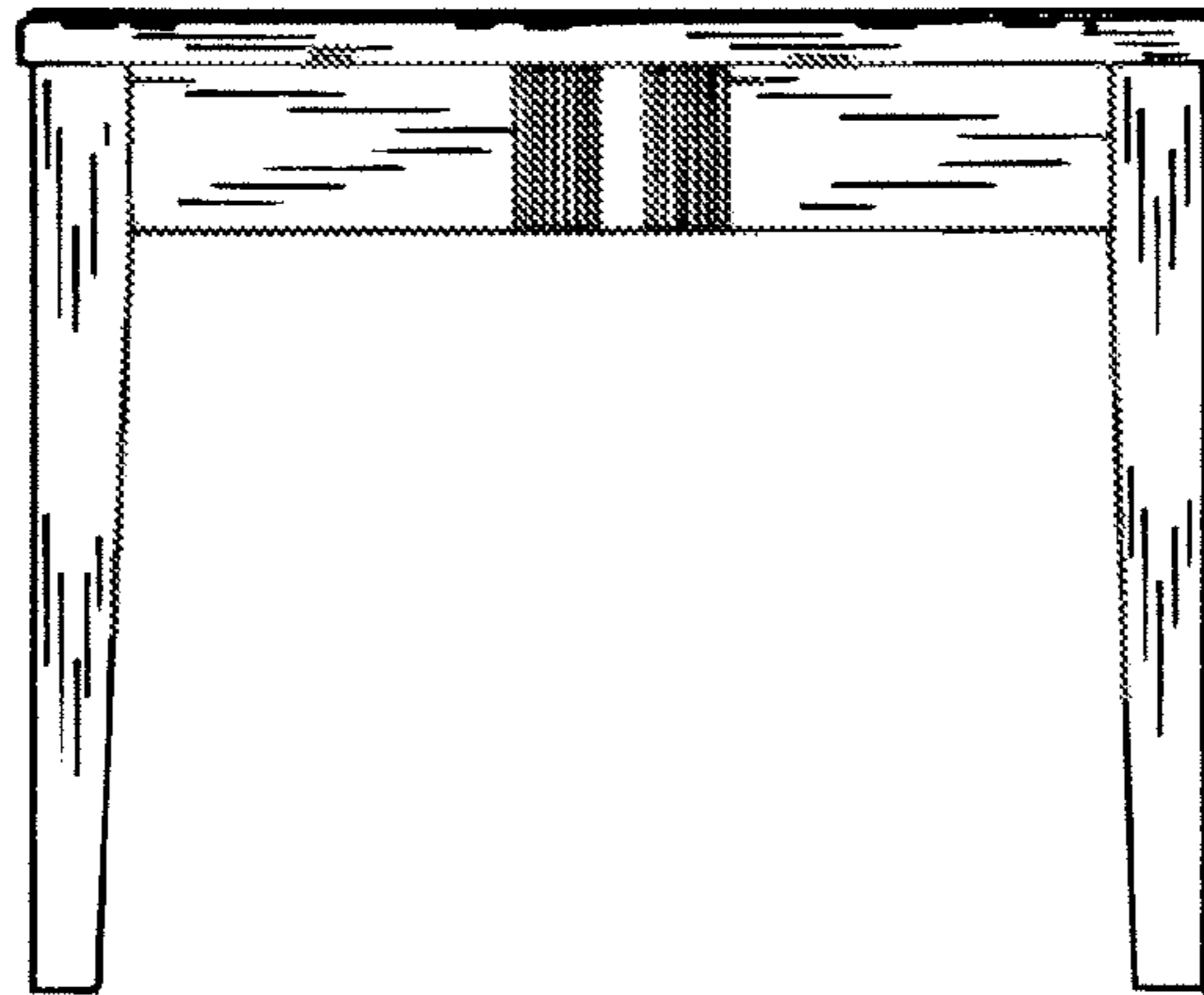


FIG. 8

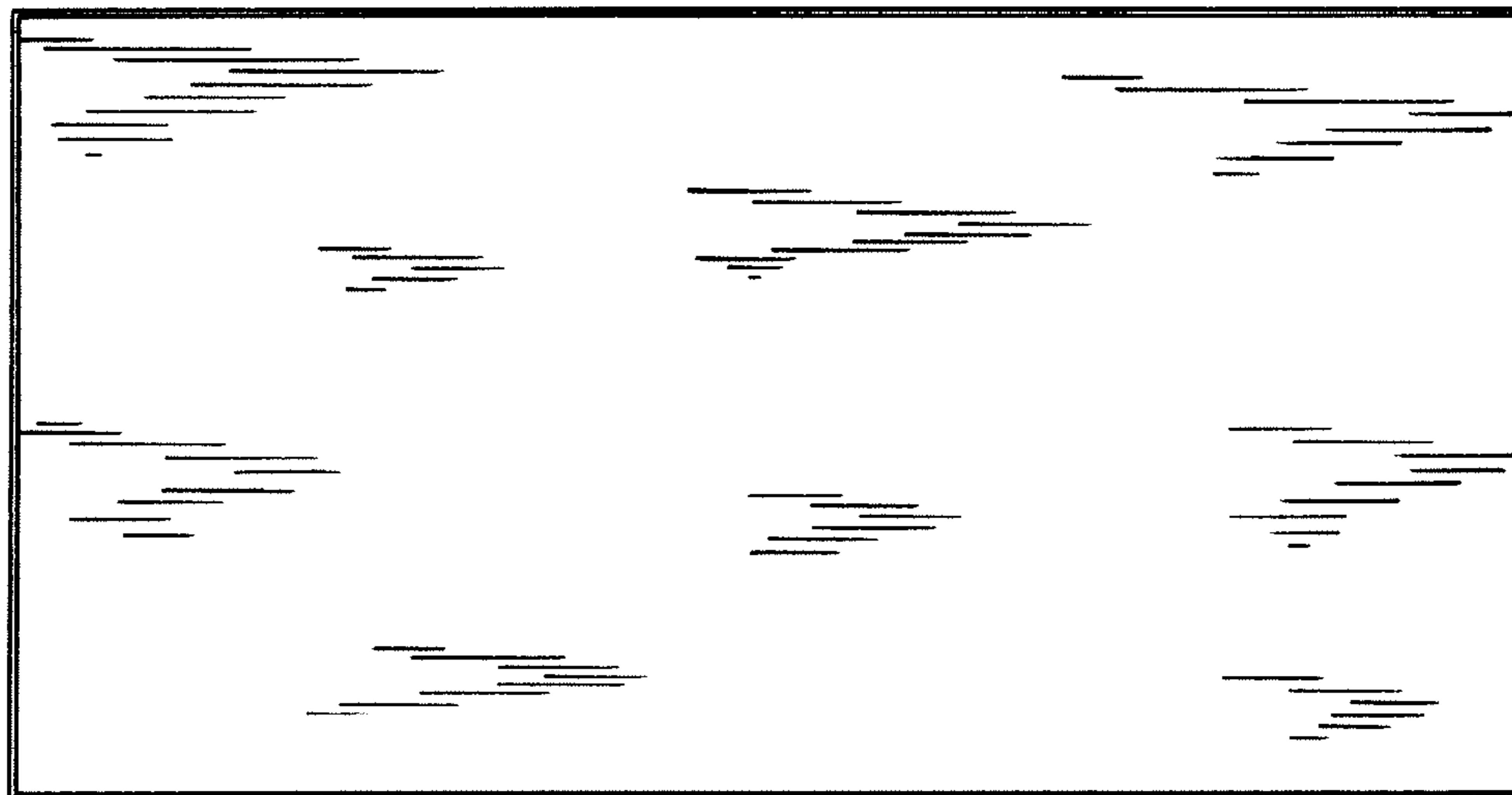


FIG. 9

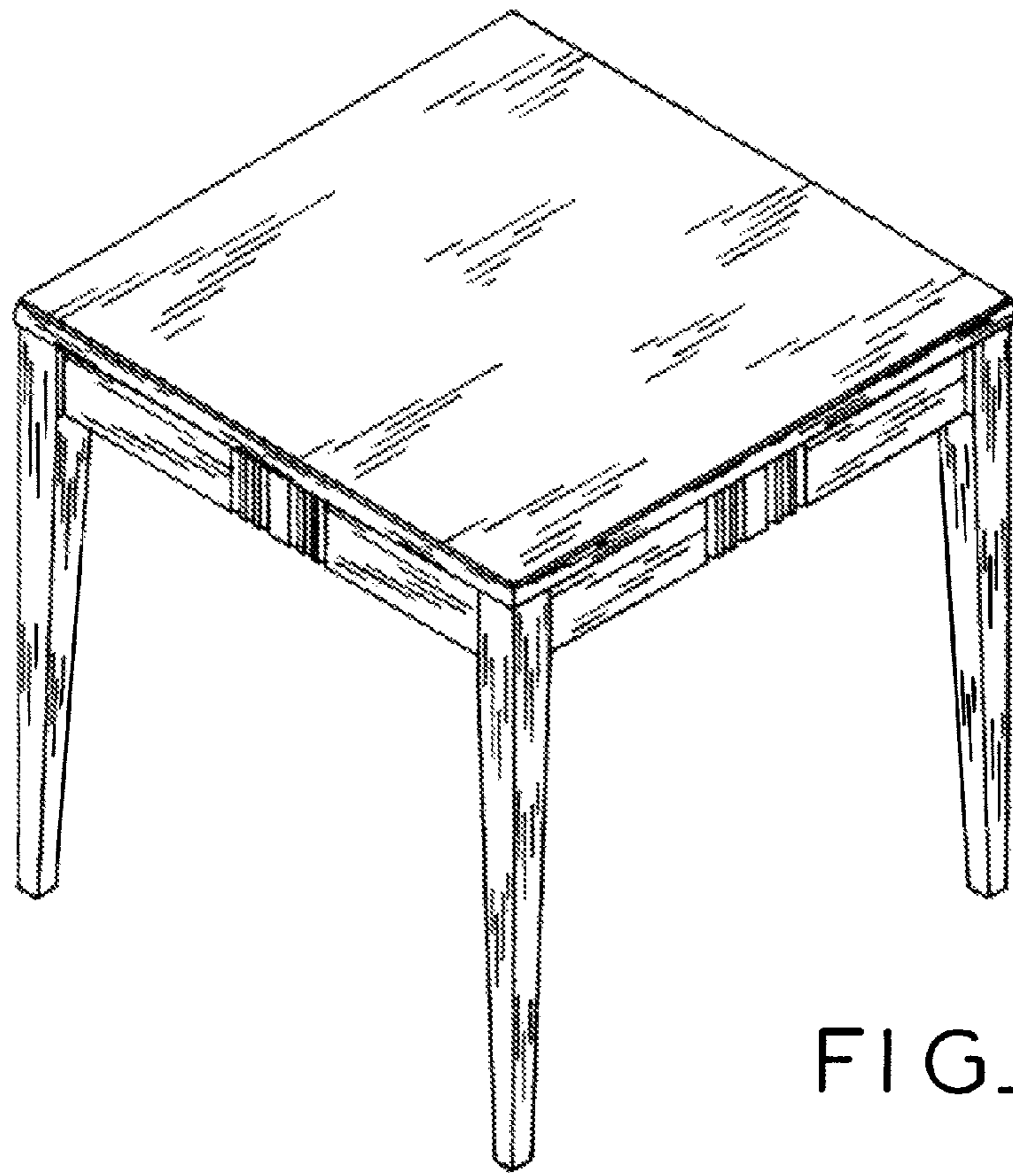


FIG. 10

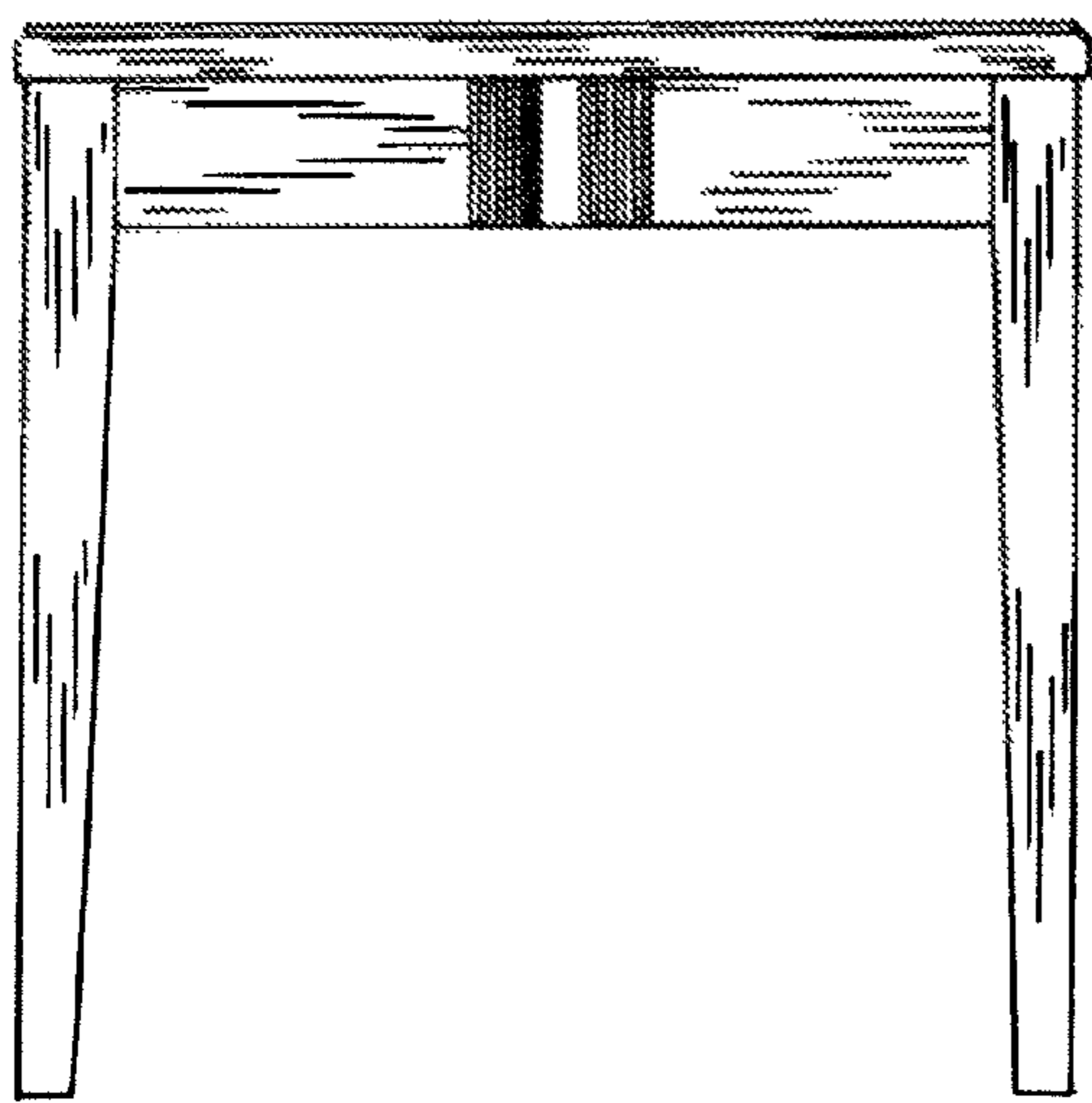


FIG. 11

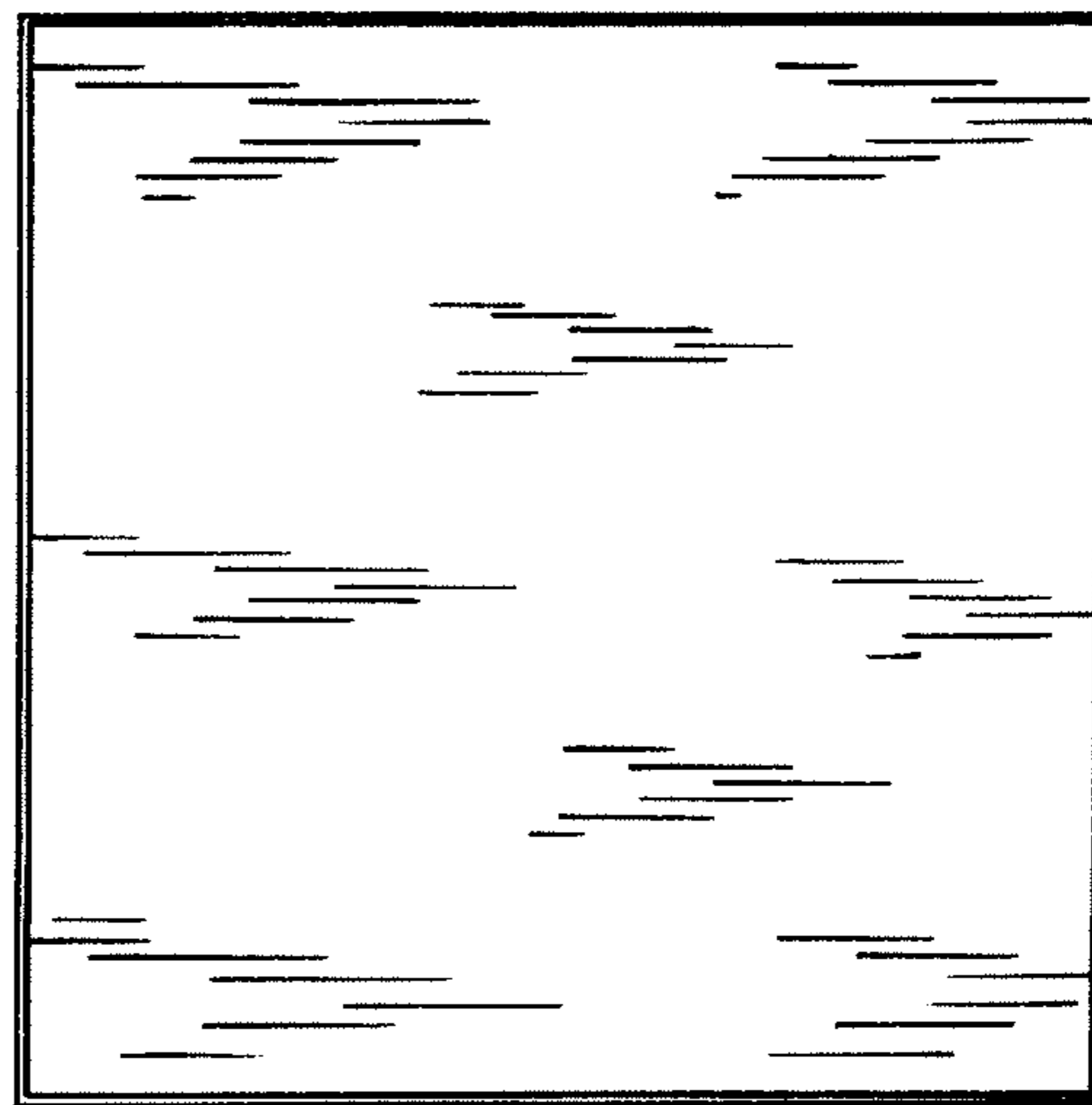


FIG. 12