



US00D641995S

(12) **United States Design Patent**  
**Zambelli**

(10) **Patent No.:** **US D641,995 S**  
(45) **Date of Patent:** **\*\* Jul. 26, 2011**

(54) **AUDIO VIDEO SHELVING UNIT**  
(75) Inventor: **Michael P. Zambelli**, Basking Ridge, NJ (US)  
(73) Assignee: **Bell'O International Corp.**, Morganville, NJ (US)  
(\*\*) Term: **14 Years**  
(21) Appl. No.: **29/382,377**  
(22) Filed: **Jan. 3, 2011**

D507,900 S 8/2005 Sexton  
D508,172 S 8/2005 Malizia et al.  
D515,337 S 2/2006 deCarolis  
D515,849 S 2/2006 Niu  
D516,838 S 3/2006 Portnoy  
D516,840 S 3/2006 deCarolis  
D516,847 S 3/2006 Stenhouse et al.  
D519,757 S 5/2006 Portnoy  
D524,080 S 7/2006 Stenhouse et al.  
D524,578 S 7/2006 Stenhouse et al.  
D525,052 S 7/2006 Malizia et al.  
D525,054 S 7/2006 Stenhouse et al.  
D527,208 S 8/2006 Malizia et al.  
D535,497 S 1/2007 Portnoy

(Continued)

(51) **LOC (9) Cl.** ..... **06-06**  
(52) **U.S. Cl.** ..... **D6/474**  
(58) **Field of Classification Search** ..... D6/470, D6/471, 474, 477-479, 460-461, 468; 108/59, 108/91-92, 96; 211/40, 41.12, 42, 49.1, 211/50, 85.2, 90.04, 187, 190; 206/307  
See application file for complete search history.

**OTHER PUBLICATIONS**

Bell'O 2005/06 Product Catalog.

*Primary Examiner* — Elizabeth Albert  
*Assistant Examiner* — Kelley Donnelly

(74) *Attorney, Agent, or Firm* — Lerner, David, Littenberg, Krumholz & Mentlik, LLP

(56) **References Cited**

**U.S. PATENT DOCUMENTS**

D454,731 S 3/2002 Niitsu et al.  
D458,053 S 6/2002 Luong  
D459,118 S 6/2002 Antonioni  
D472,073 S 3/2003 de Carolis  
D472,074 S 3/2003 de Carolis  
D472,075 S 3/2003 de Carolis  
D489,548 S 5/2004 Malizia et al.  
D491,748 S 6/2004 deCarolis  
D491,749 S 6/2004 Malizia et al.  
D491,750 S 6/2004 Bertoncini et al.  
D491,753 S 6/2004 deCarolis  
D492,860 S 7/2004 Bertoncini et al.  
D493,982 S 8/2004 deCarolis  
D496,807 S 10/2004 deCarolis  
D497,060 S 10/2004 Chang et al.  
D497,061 S 10/2004 Decarolis  
D505,573 S 5/2005 Malizia  
D506,329 S 6/2005 Sexton  
D507,128 S \* 7/2005 Choo ..... D6/477  
D507,433 S 7/2005 Portnoy

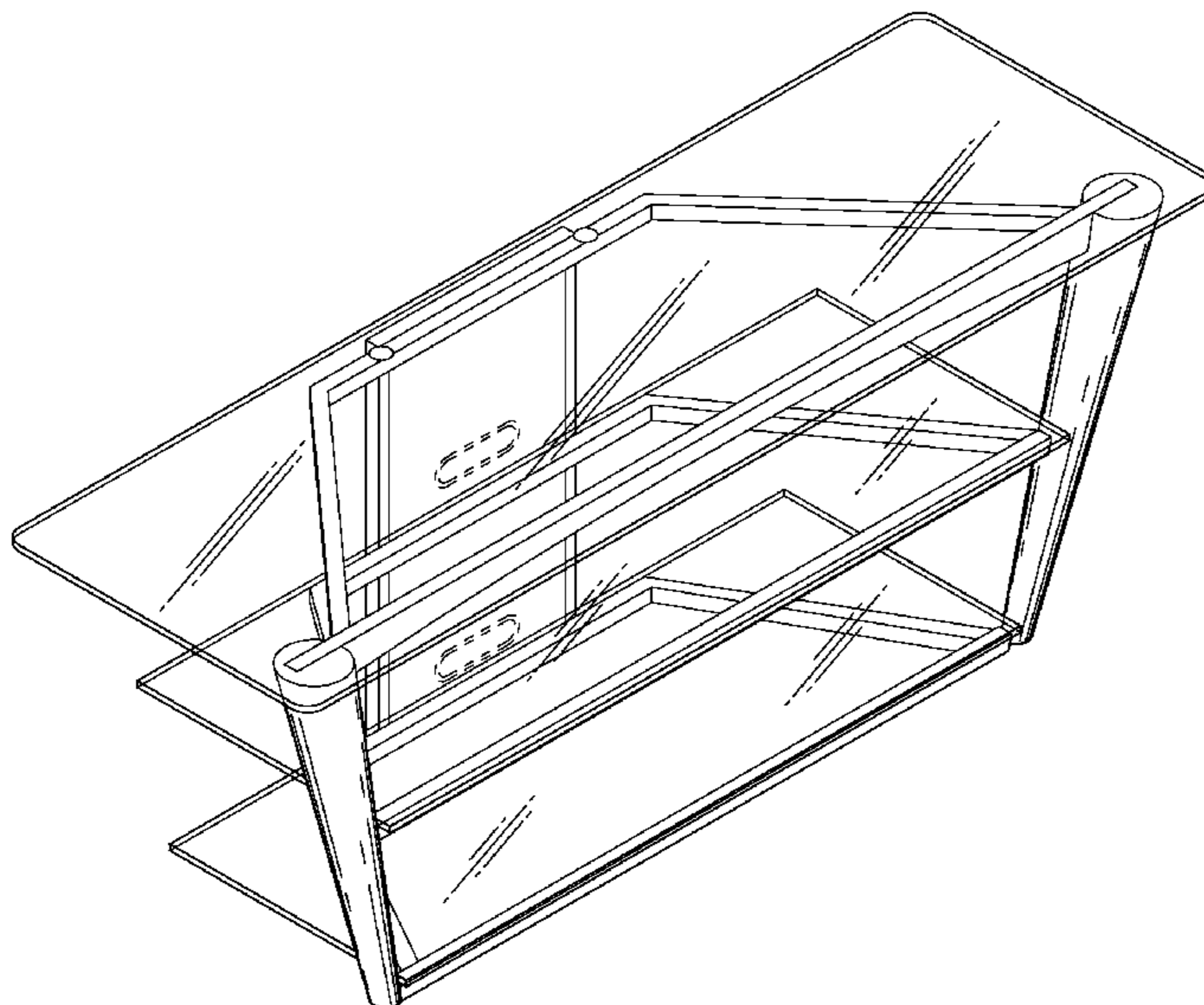
(57) **CLAIM**

The ornamental design for audio video shelving unit, as shown and described.

**DESCRIPTION**

FIG. 1 is a front perspective view of the subject audio video shelving unit;  
FIG. 2 is a front view thereof;  
FIG. 3 is a rear view thereof;  
FIG. 4 is a right side view thereof (the left side view is a mirror image of the right side view); and,  
FIG. 5 is a top plan view thereof.  
The broken lines are for the purpose of illustrating the environment of the article only and form no part of the claimed design.

**1 Claim, 5 Drawing Sheets**



# US D641,995 S

Page 2

## U.S. PATENT DOCUMENTS

D537,656 S	3/2007	Stenhouse et al.	D587,496 S	3/2009	Weitz	
D540,067 S	4/2007	Chung	D587,497 S	3/2009	Zambelli	
D542,059 S	5/2007	Moyle et al.	D589,280 S	3/2009	Zambelli	
D543,729 S	6/2007	Weatherly	D590,636 S	4/2009	Ou Yang et al.	
D549,991 S	9/2007	Stravitz	D590,637 S	4/2009	Portnoy	
D554,393 S	11/2007	Yalif	D592,428 S	5/2009	Zambelli	
D555,397 S	11/2007	Yalif	D594,248 S	6/2009	Zambelli	
D559,583 S	1/2008	Zambelli	D595,978 S	7/2009	Portnoy et al.	
D559,584 S	1/2008	Zambelli	D599,584 S	9/2009	Zambelli	
D560,077 S	1/2008	Zambelli	D604,251 S	11/2009	Hwang	
D560,401 S	1/2008	Hoglan et al.	D605,874 S	12/2009	Zambelli	
D562,593 S	2/2008	Zambelli	D607,671 S *	1/2010	Sexton	D6/479
D563,695 S	3/2008	Yamaguchi	D609,942 S *	2/2010	Sexton	D6/477
D564,260 S	3/2008	deCarolis	D610,836 S	3/2010	Kohler	
D564,261 S	3/2008	Sculler	D619,827 S *	7/2010	Sculler et al.	D6/477
D564,789 S	3/2008	deCarolis	D619,828 S *	7/2010	Connor et al.	D6/477
D564,796 S	3/2008	Zambelli	D630,870 S *	1/2011	Sexton	D6/477
D564,797 S	3/2008	Yamaguchi	D630,871 S *	1/2011	Sexton	D6/477
D572,944 S *	7/2008	Sexton	D631,265 S *	1/2011	Sexton	D6/477
D587,483 S	3/2009	Zambelli				

\* cited by examiner

FIG. 1

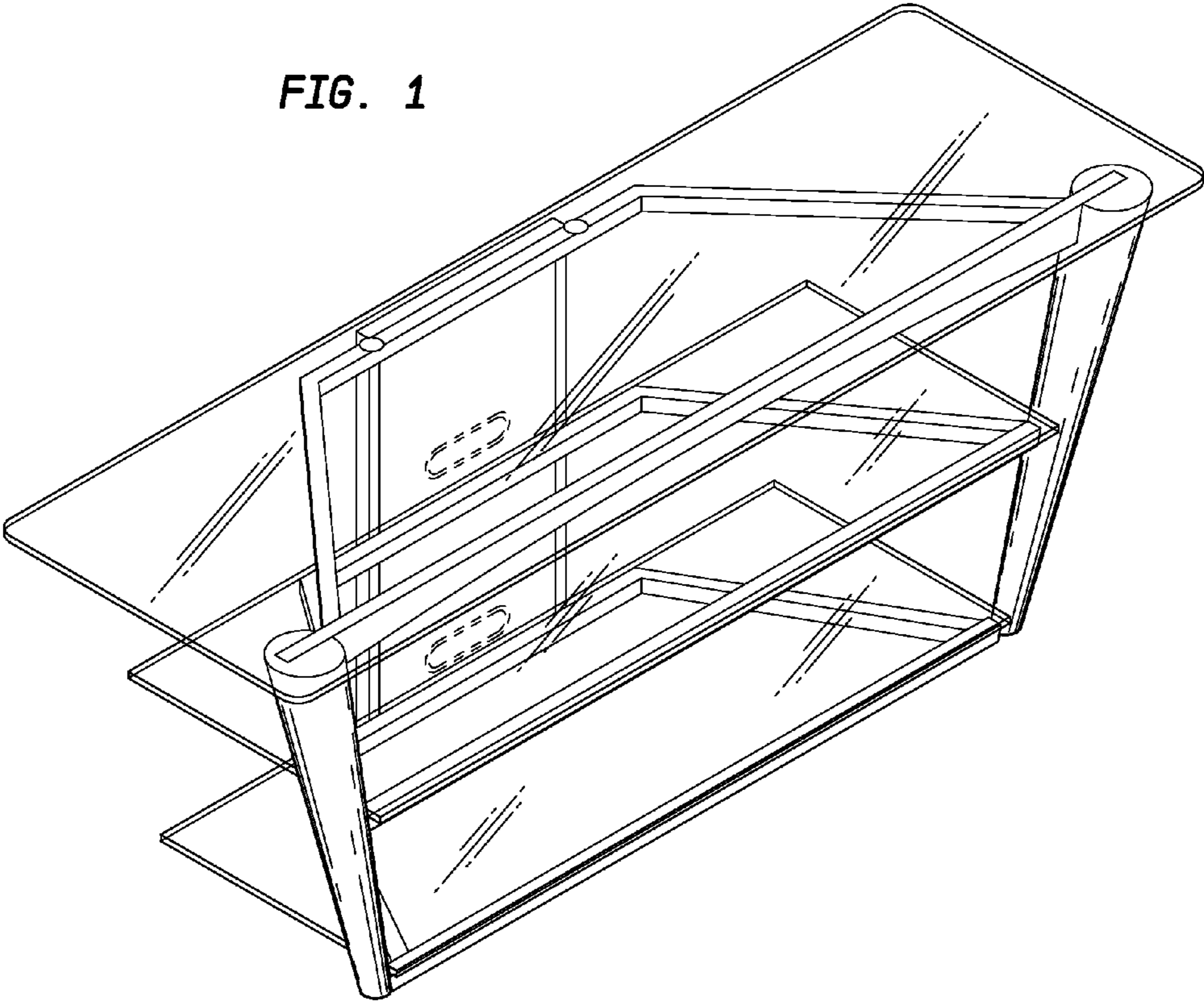


FIG. 2

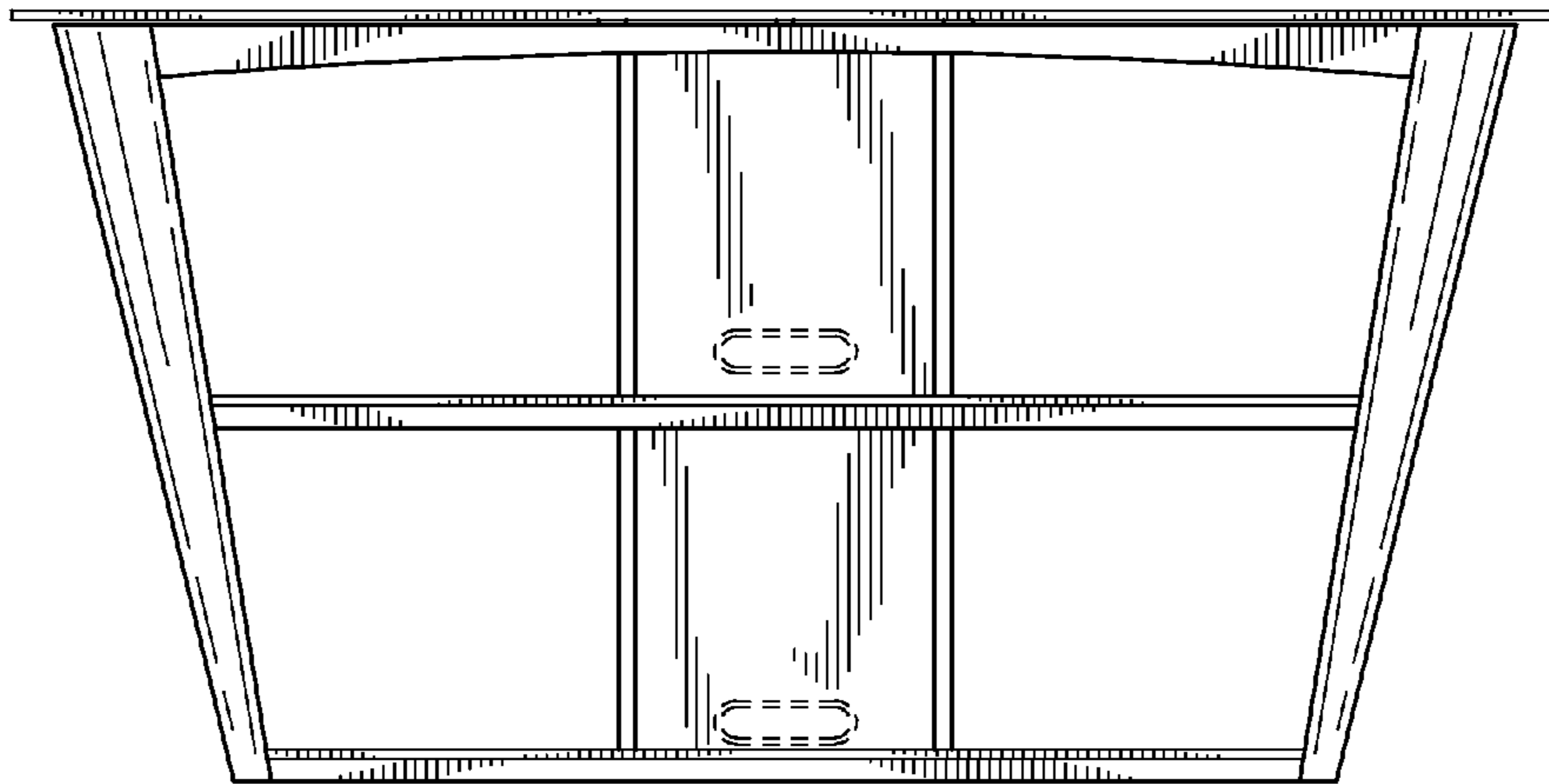
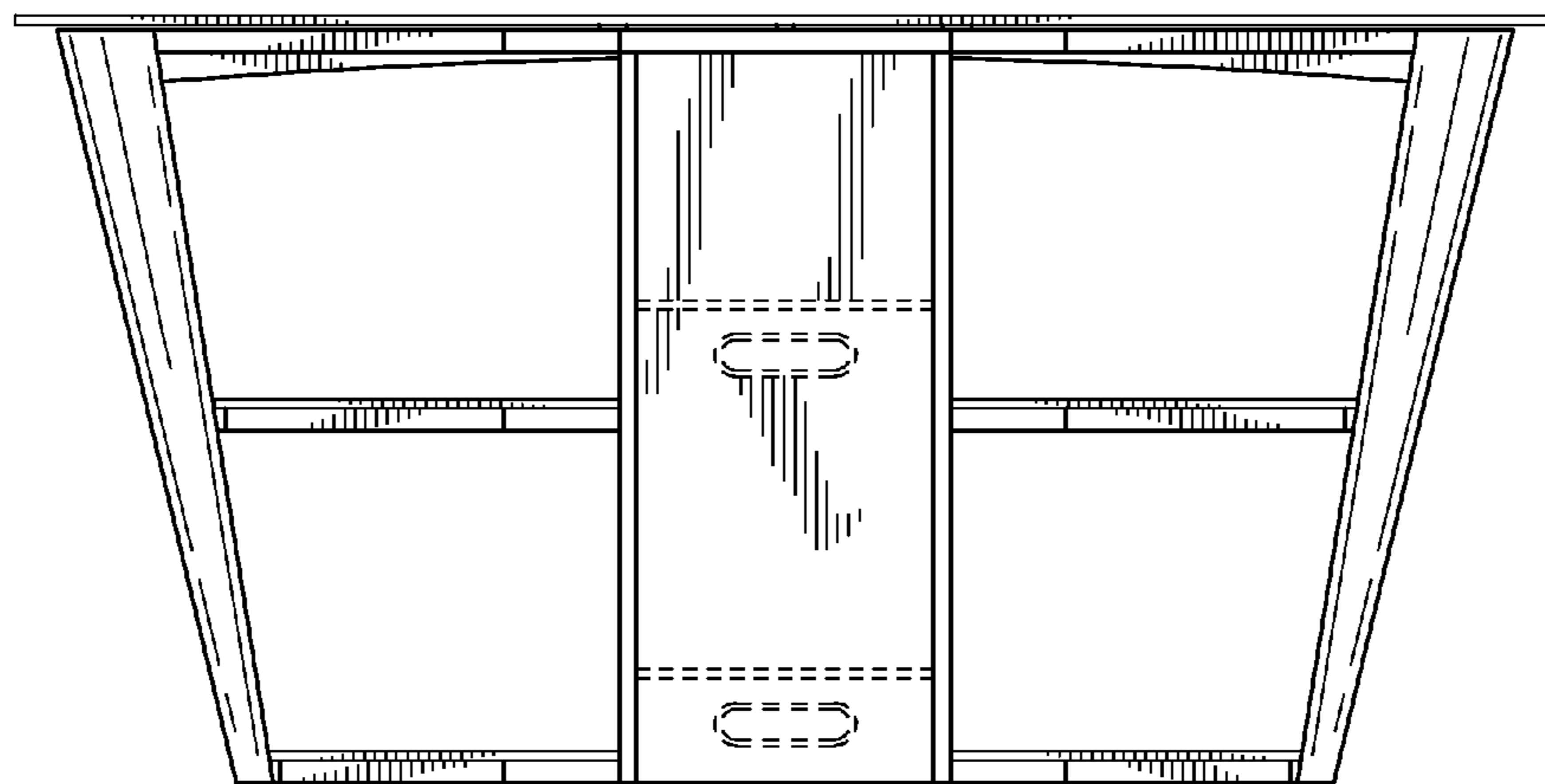


FIG. 3



*FIG. 4*

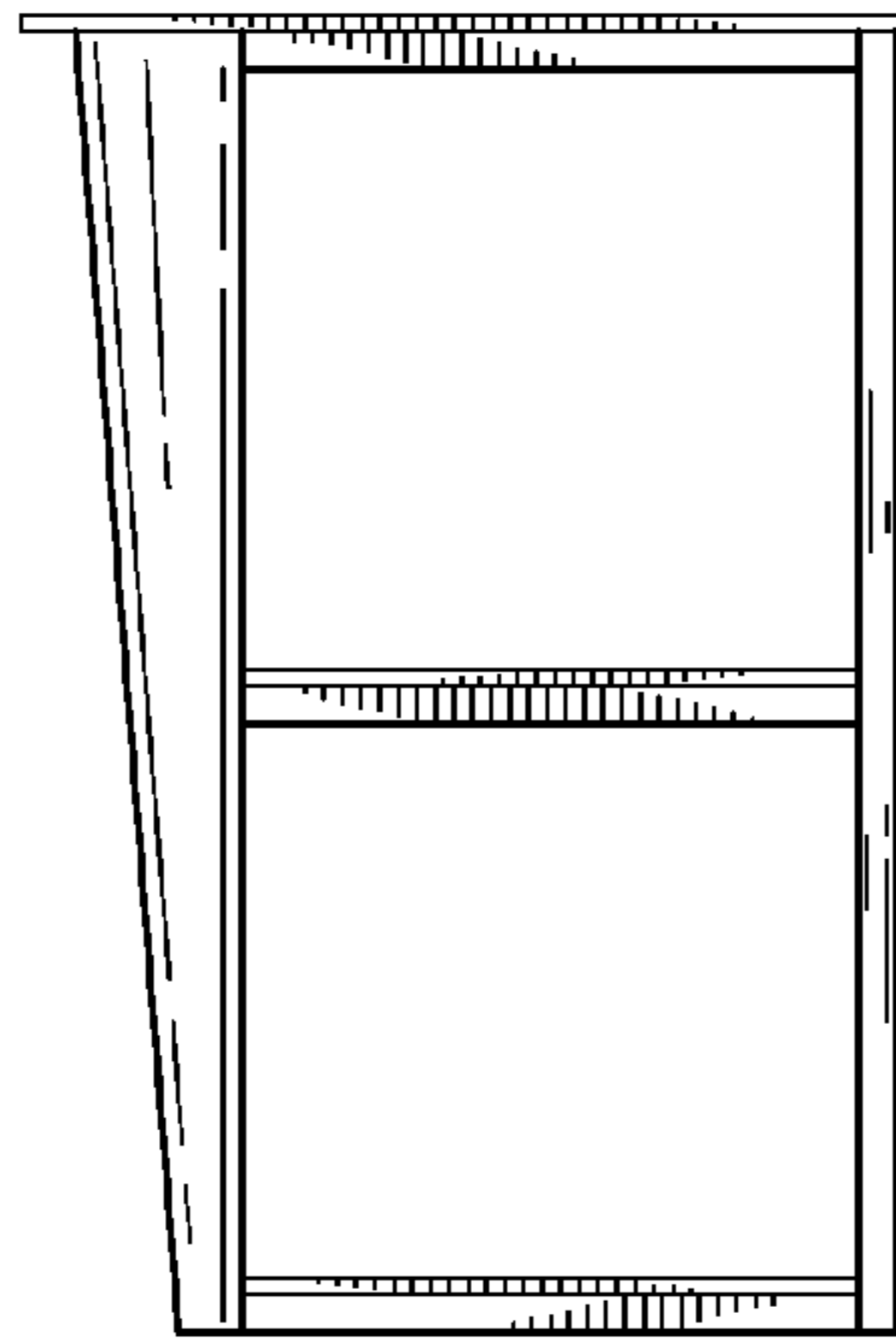


FIG. 5

