



US00D641994S

(12) **United States Design Patent**  
**Huang**

(10) **Patent No.:** **US D641,994 S**

(45) **Date of Patent:** **\*\* Jul. 26, 2011**

(54) **OBJECT HOLDER**

(76) Inventor: **Chao Kuang Huang**, Taichung (TW)

(\*\*) Term: **14 Years**

(21) Appl. No.: **29/382,081**

(22) Filed: **Dec. 29, 2010**

(51) **LOC (9) Cl.** ..... **06-04**

(52) **U.S. Cl.** ..... **D6/449**

(58) **Field of Classification Search** ..... D6/310,  
D6/419, 420, 449, 512, 466; D19/75-83,  
D19/86-92, 95-100, 65; 206/214, 425, 555;  
248/441.1, 454, 453

See application file for complete search history.

(56) **References Cited**

**U.S. PATENT DOCUMENTS**

2,304,795	A *	12/1942	Bricker	.....	248/453
2,428,519	A *	10/1947	Gustafson	.....	248/454
D346,622	S *	5/1994	Miller	.....	D19/78
D372,499	S *	8/1996	Carlson et al.	.....	D19/65
D424,118	S *	5/2000	Mandokoro et al.	.....	D19/90
D424,621	S *	5/2000	Mandokoro et al.	.....	D19/90

D571,578	S *	6/2008	Ferrari	.....	D6/466
D633,147	S *	2/2011	Parshad	.....	D19/86
D633,149	S *	2/2011	Parshad	.....	D19/91

\* cited by examiner

*Primary Examiner* — Philip S Hyder

*Assistant Examiner* — Sydney Buffalow

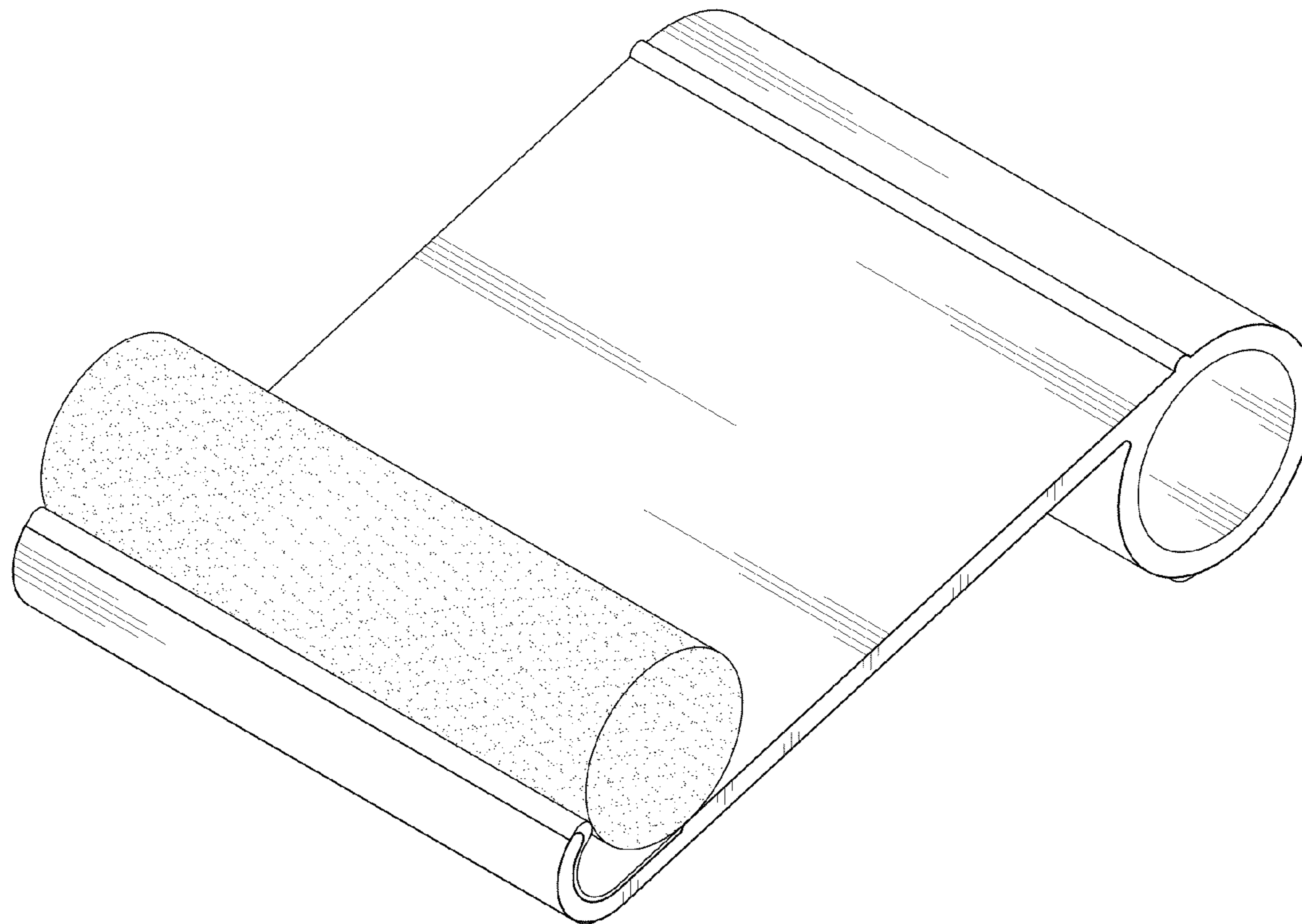
(57) **CLAIM**

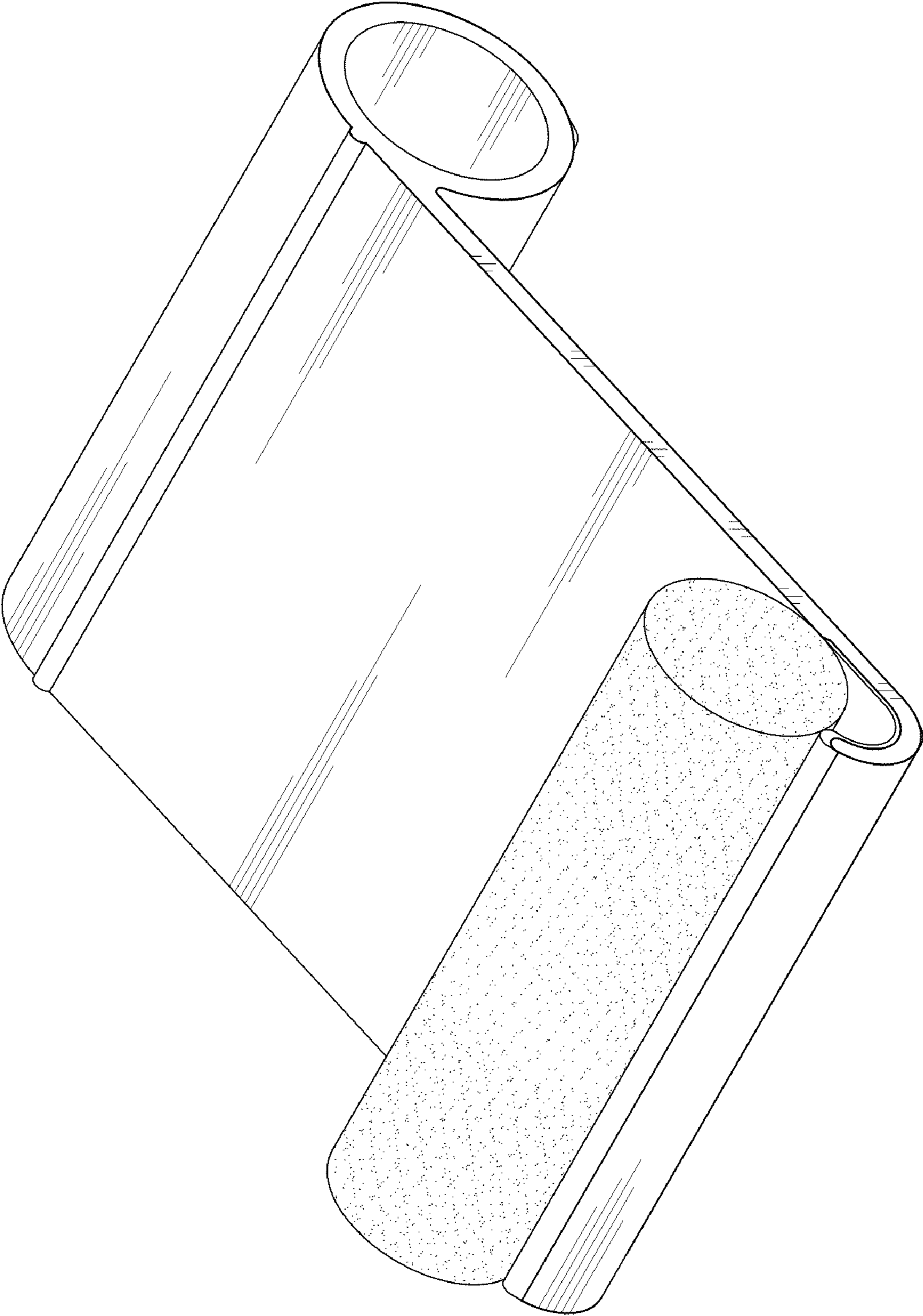
The ornamental design for an object holder, as shown and described.

**DESCRIPTION**

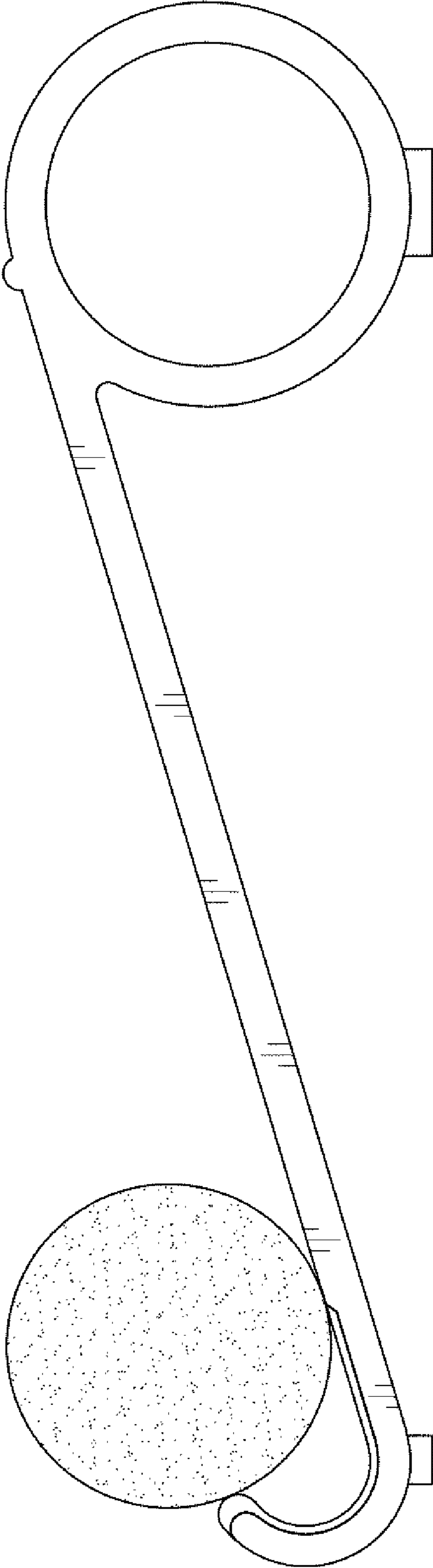
FIG. 1 is a perspective view of an object holder showing my new design;  
 FIG. 2 is a front elevational view thereof;  
 FIG. 3 is a rear elevational view thereof;  
 FIG. 4 is a left elevational view thereof;  
 FIG. 5 is a right elevational view thereof;  
 FIG. 6 is a top view thereof;  
 FIG. 7 is a bottom view thereof; and,  
 FIG. 8 is a perspective view from another direction showing that a cylindrical element is placed in a passage of the object holder.

**1 Claim, 8 Drawing Sheets**

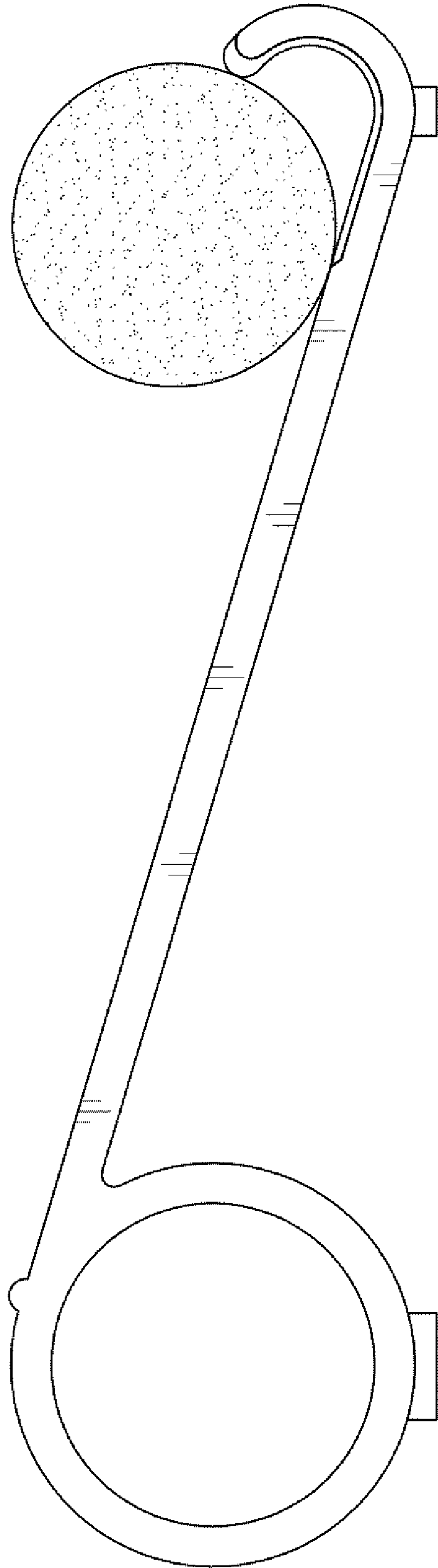




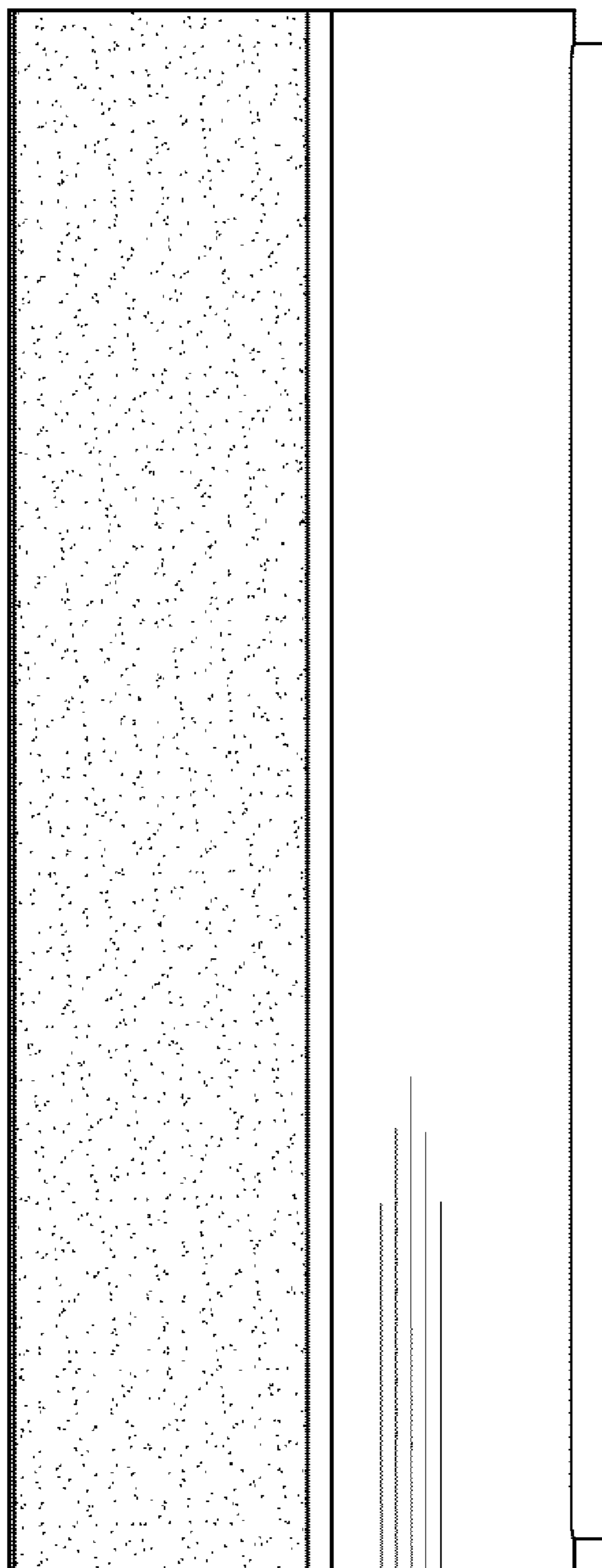
**FIG. 1**



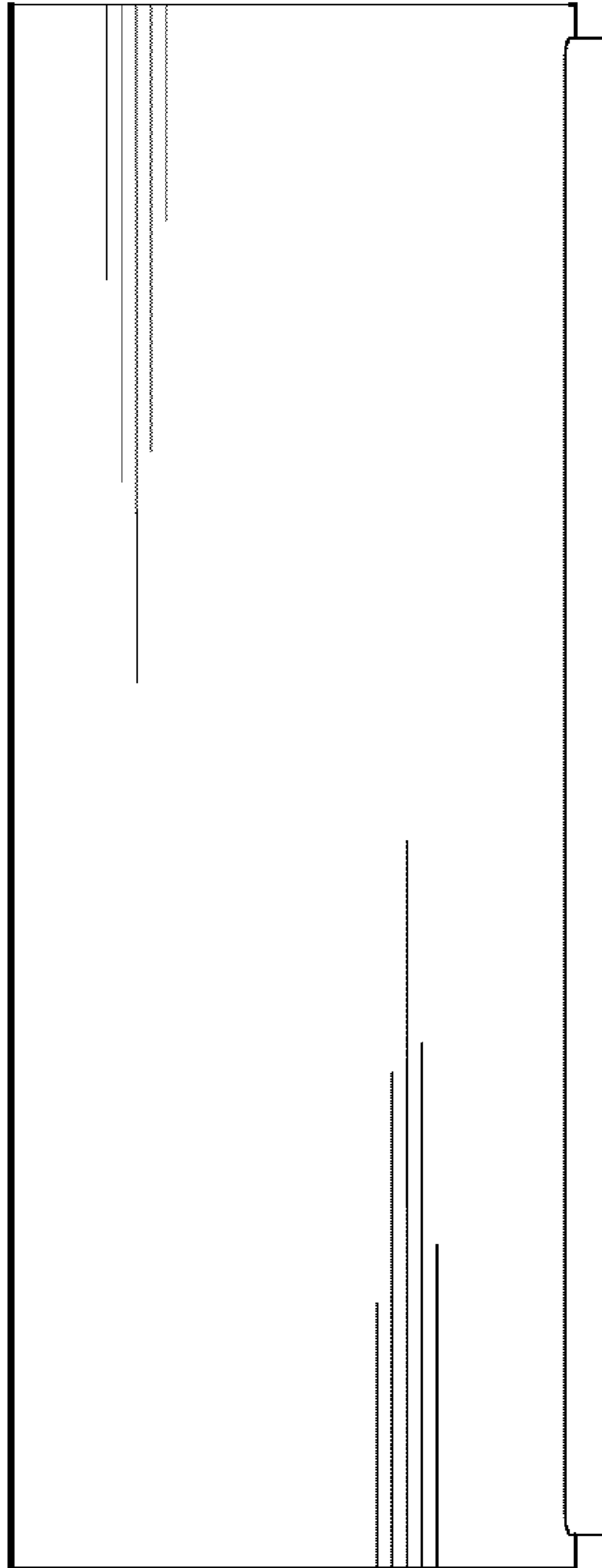
**FIG. 2**



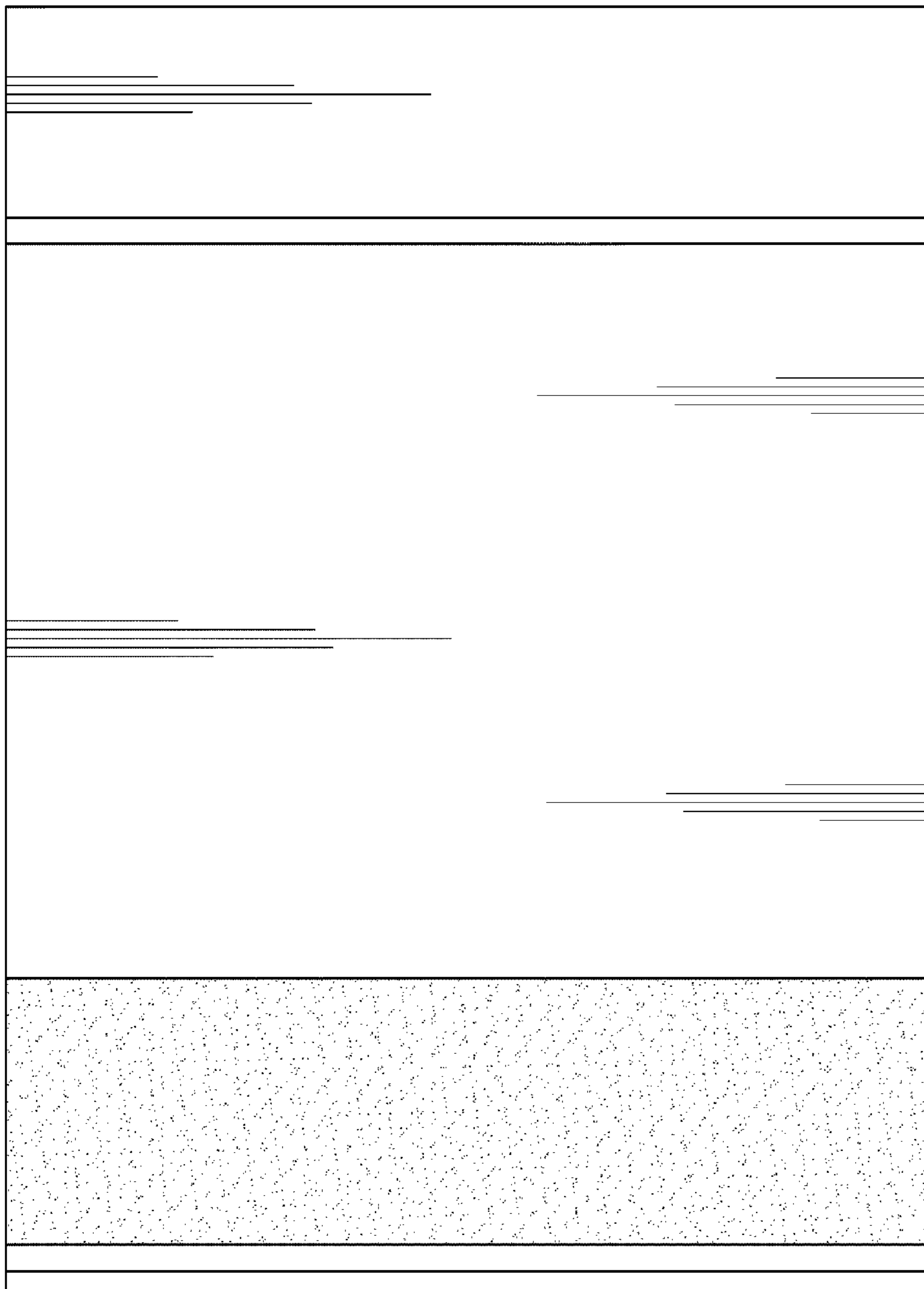
**FIG. 3**



**FIG. 4**



**FIG. 5**

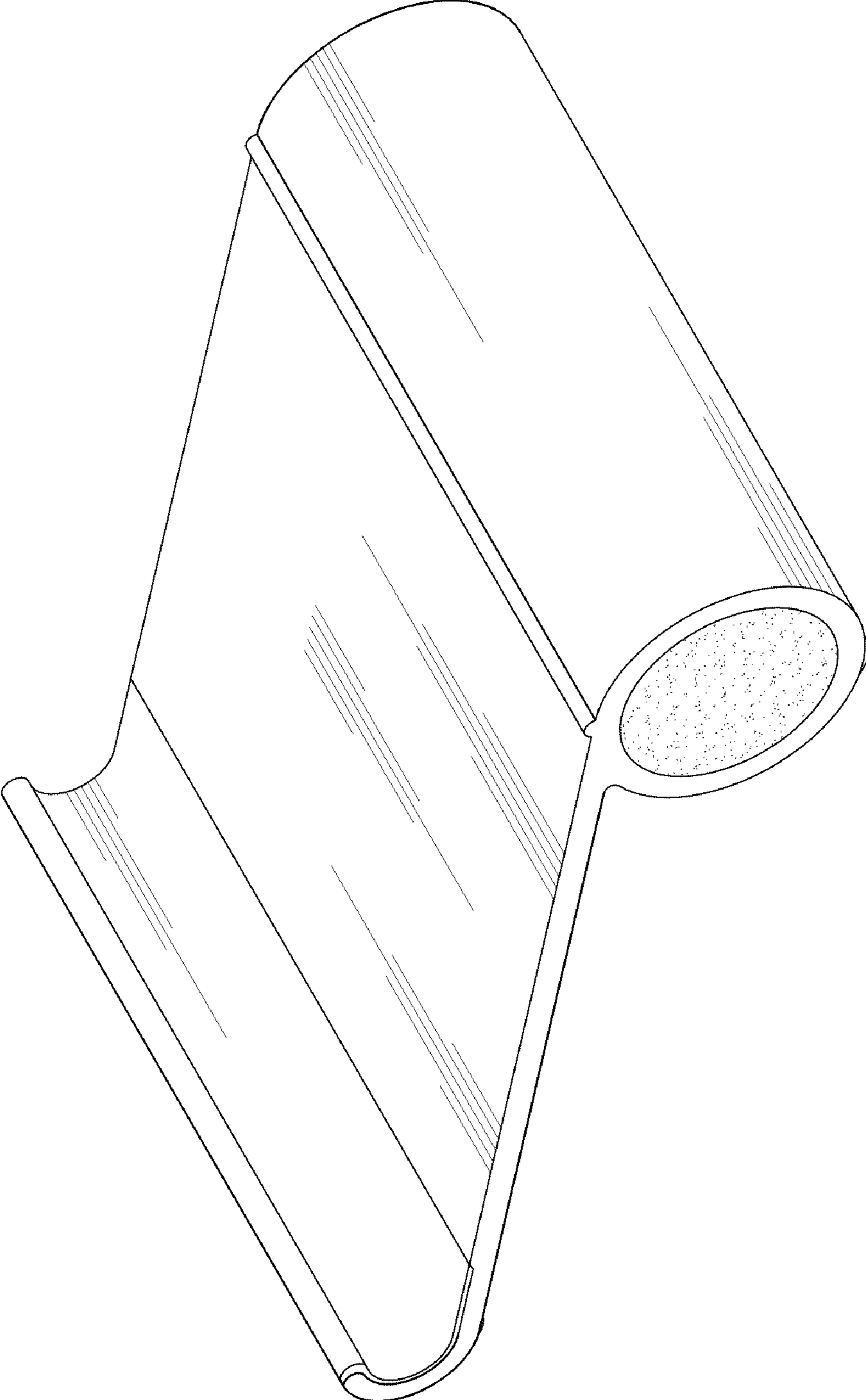


**FIG. 6**



**FIG. 7**





**FIG. 8**