



US00D641993S

(12) **United States Design Patent**  
**Scott**

(10) **Patent No.:** **US D641,993 S**

(45) **Date of Patent:** **\*\* Jul. 26, 2011**

(54) **PERCUSSION STAND HOLDER**

(76) Inventor: **Tim Scott**, Tecumseh (CA)

(\*\*) Term: **14 Years**

(21) Appl. No.: **29/358,525**

(22) Filed: **Mar. 29, 2010**

(30) **Foreign Application Priority Data**

Oct. 27, 2009 (CA) ..... 132676

(51) **LOC (9) Cl.** ..... **06-04**

(52) **U.S. Cl.** ..... **D6/449**

(58) **Field of Classification Search** ..... D6/449,  
D6/466, 511, 495; D8/396, 73, 72; D25/68;  
D24/172; D21/694; D13/152; 248/74.1,  
248/74.3, 230.5

See application file for complete search history.

(56) **References Cited**

**U.S. PATENT DOCUMENTS**

D188,377 S *	7/1960	Martin	.....	D13/152
D213,134 S *	1/1969	Meritt	.....	D25/68
4,059,872 A *	11/1977	Delesandri	.....	24/284
D281,300 S *	11/1985	Gluck	.....	D6/495
D287,387 S *	12/1986	Oliver et al.	.....	D21/694
D328,210 S *	7/1992	Callon	.....	D6/511
D386,397 S *	11/1997	Adriaenssens	.....	D8/396
D470,400 S *	2/2003	Fraser et al.	.....	D8/396
D581,699 S *	12/2008	Harrison	.....	D6/449
D619,258 S *	7/2010	Meschenmoser et al.	...	D24/172

\* cited by examiner

*Primary Examiner* — Phillip S Hyder

*Assistant Examiner* — Sydney Buffalow

(74) *Attorney, Agent, or Firm* — Pearne & Gordon LLP

(57) **CLAIM**

The ornamental design for a percussion stand holder, as shown and described.

**DESCRIPTION**

FIG. 1 is a top perspective view illustrating the percussion stand holder of the present design;

FIG. 2 is a bottom perspective view of the percussion stand holder shown in FIG. 1;

FIG. 3 is a top view of the percussion stand holder shown in FIG. 1;

FIG. 4 is a bottom view of the percussion stand holder shown in FIG. 1;

FIG. 5 is a first side view of the percussion stand holder shown in FIG. 1;

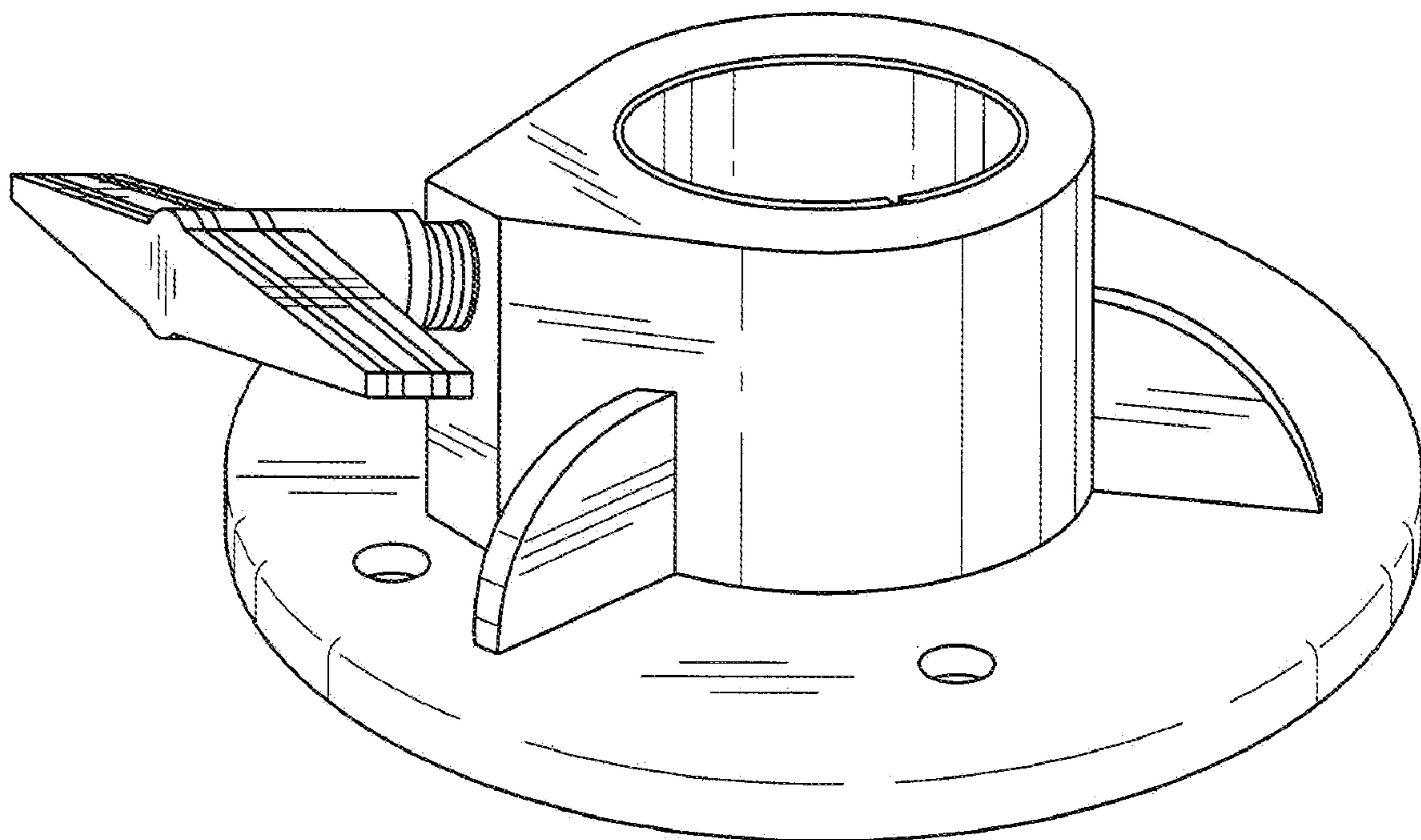
FIG. 6 is a second side view of the percussion stand holder shown in FIG. 1;

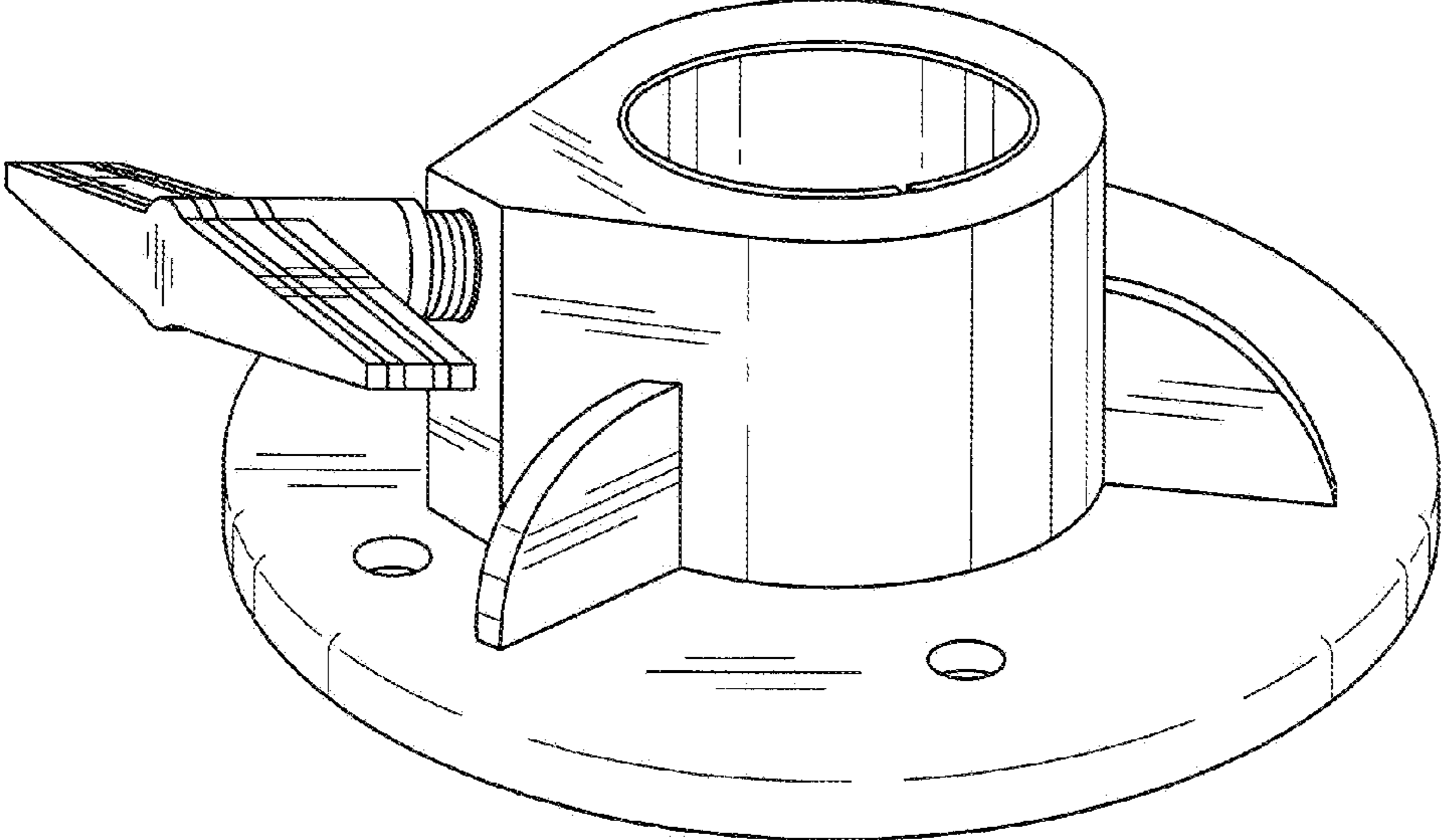
FIG. 7 is a third side view of the percussion stand holder shown in FIG. 1;

FIG. 8 is a fourth side view of the percussion stand holder shown in FIG. 1; and,

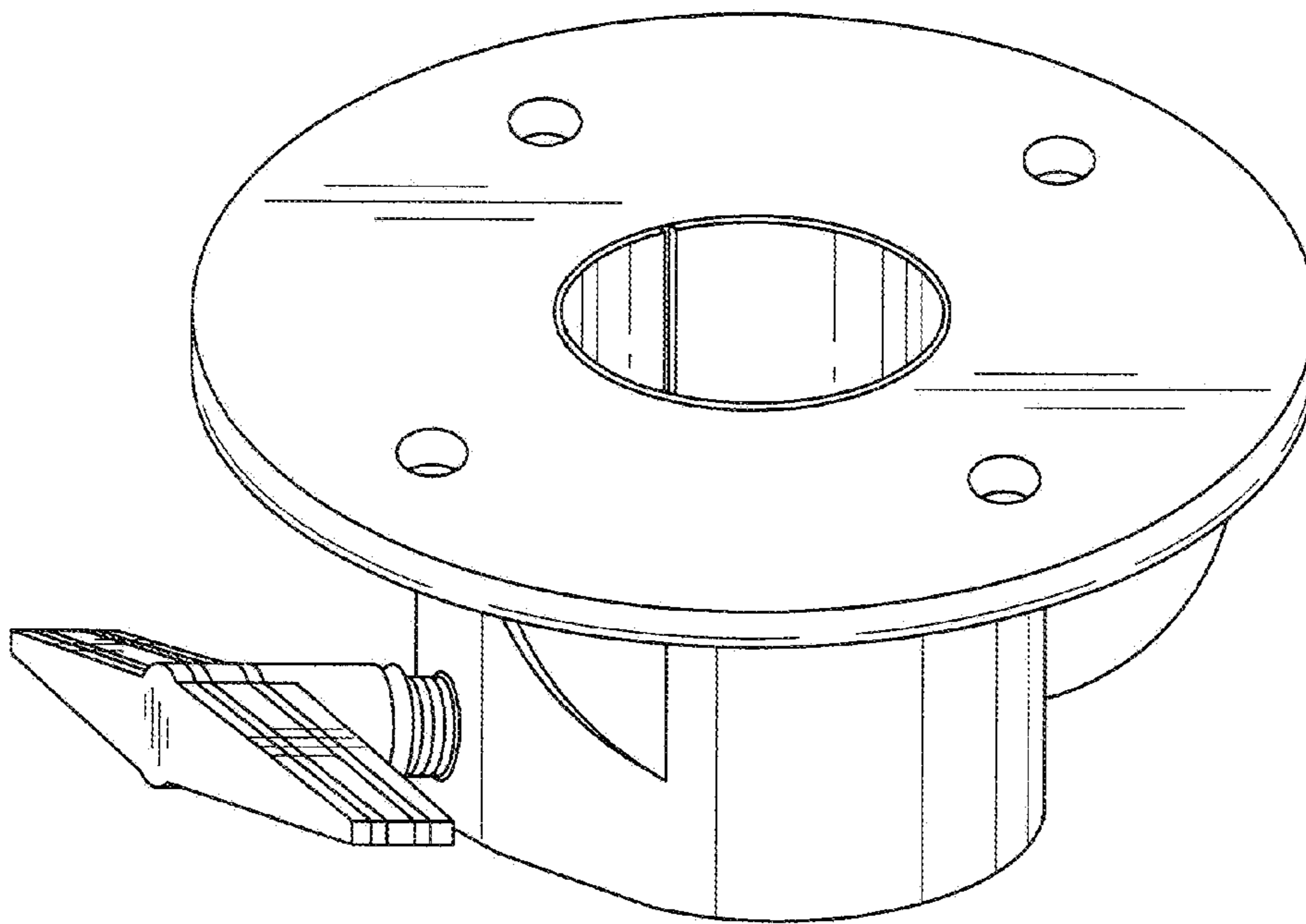
FIG. 9 is an exploded top perspective view of the percussion stand holder shown in FIG. 1.

**1 Claim, 6 Drawing Sheets**

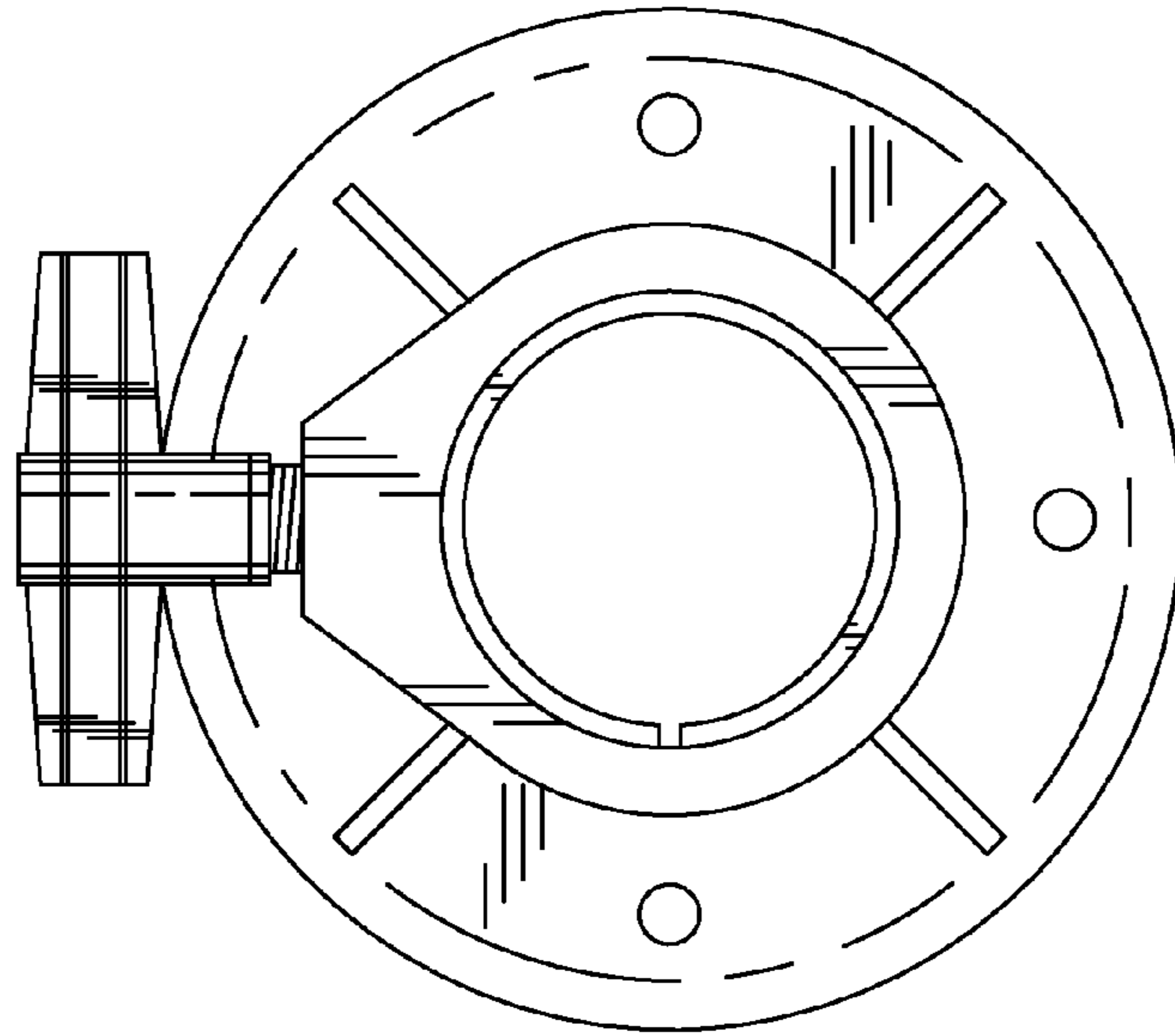




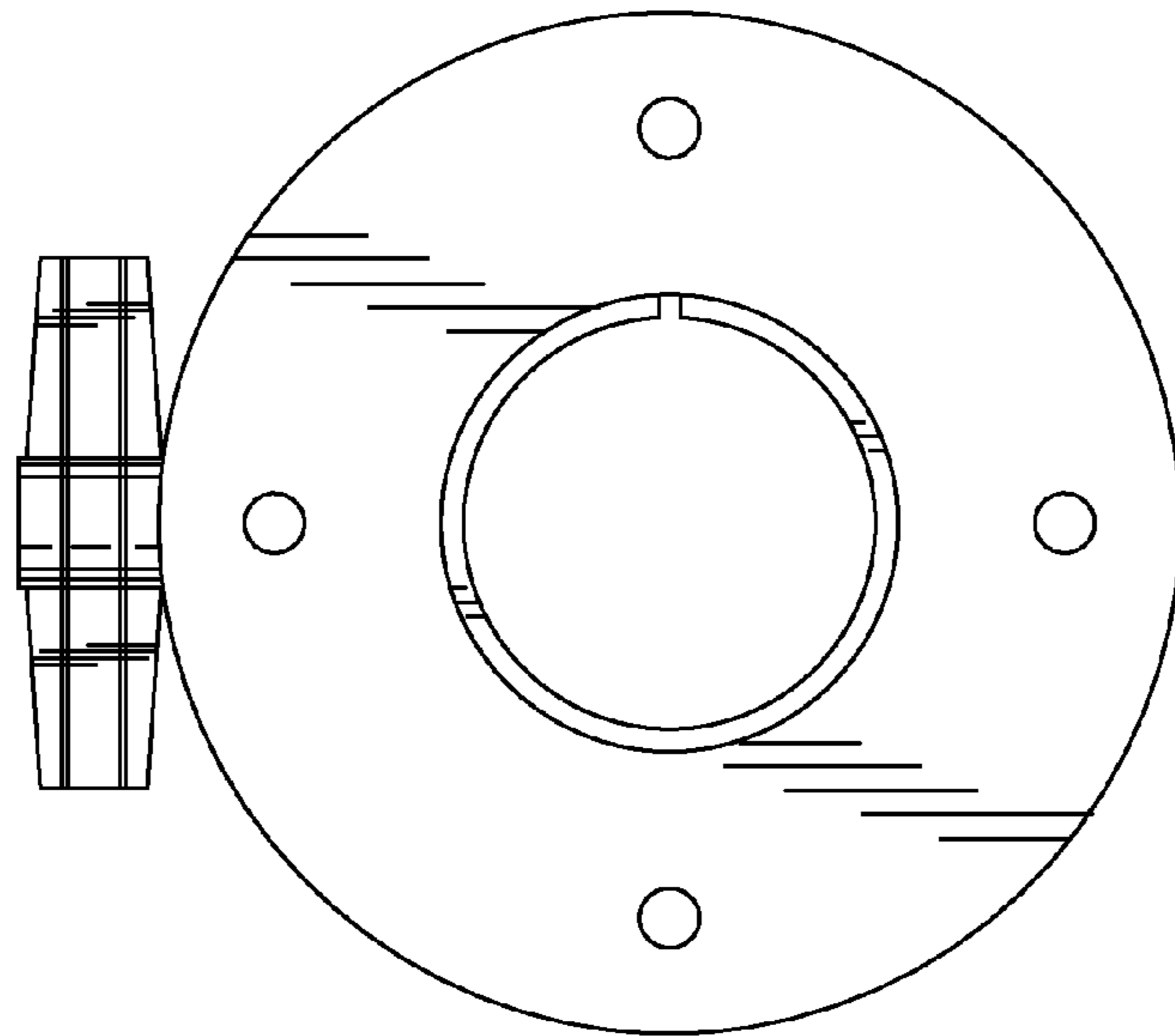
**FIG. 1**



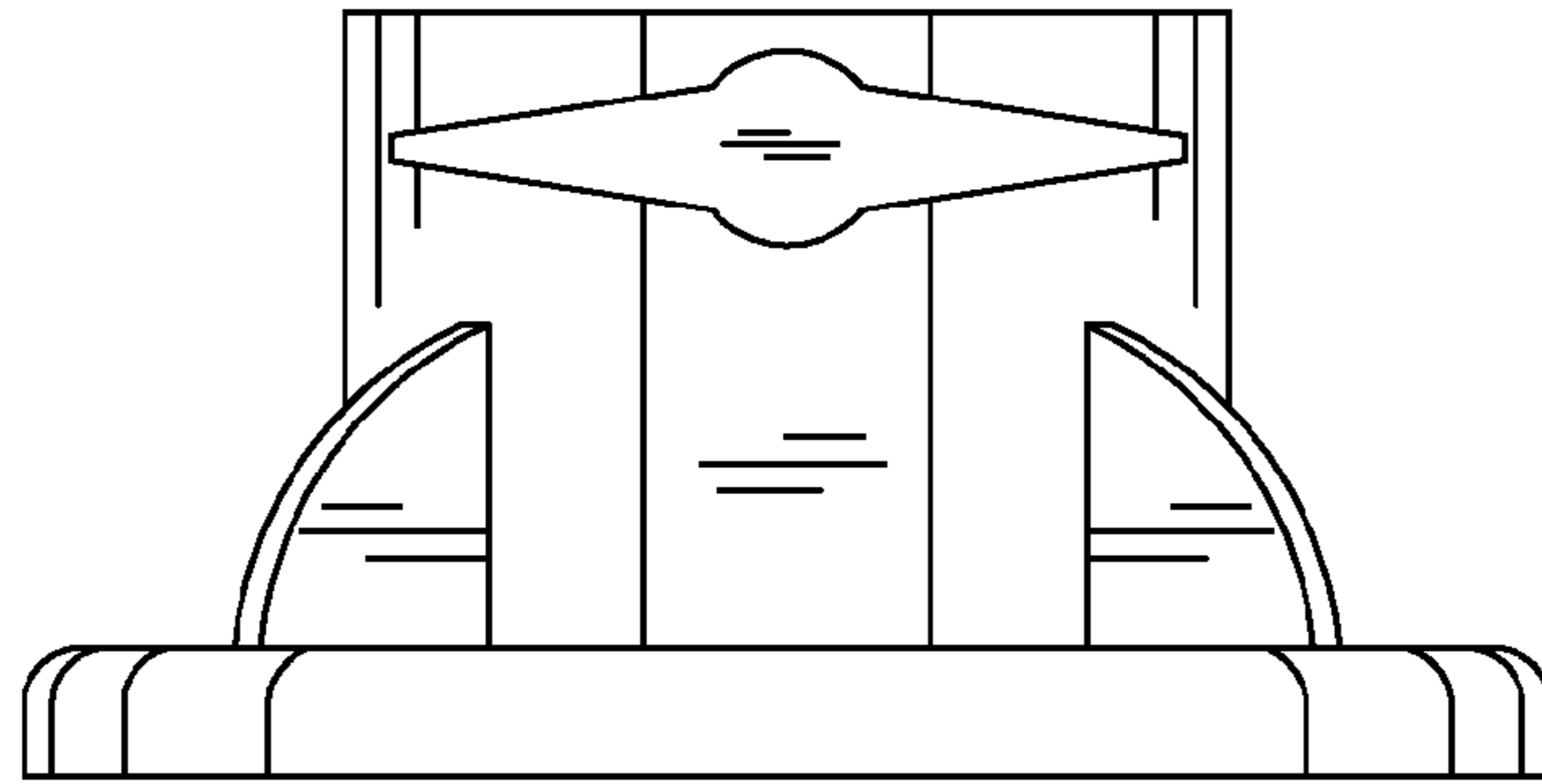
**FIG. 2**



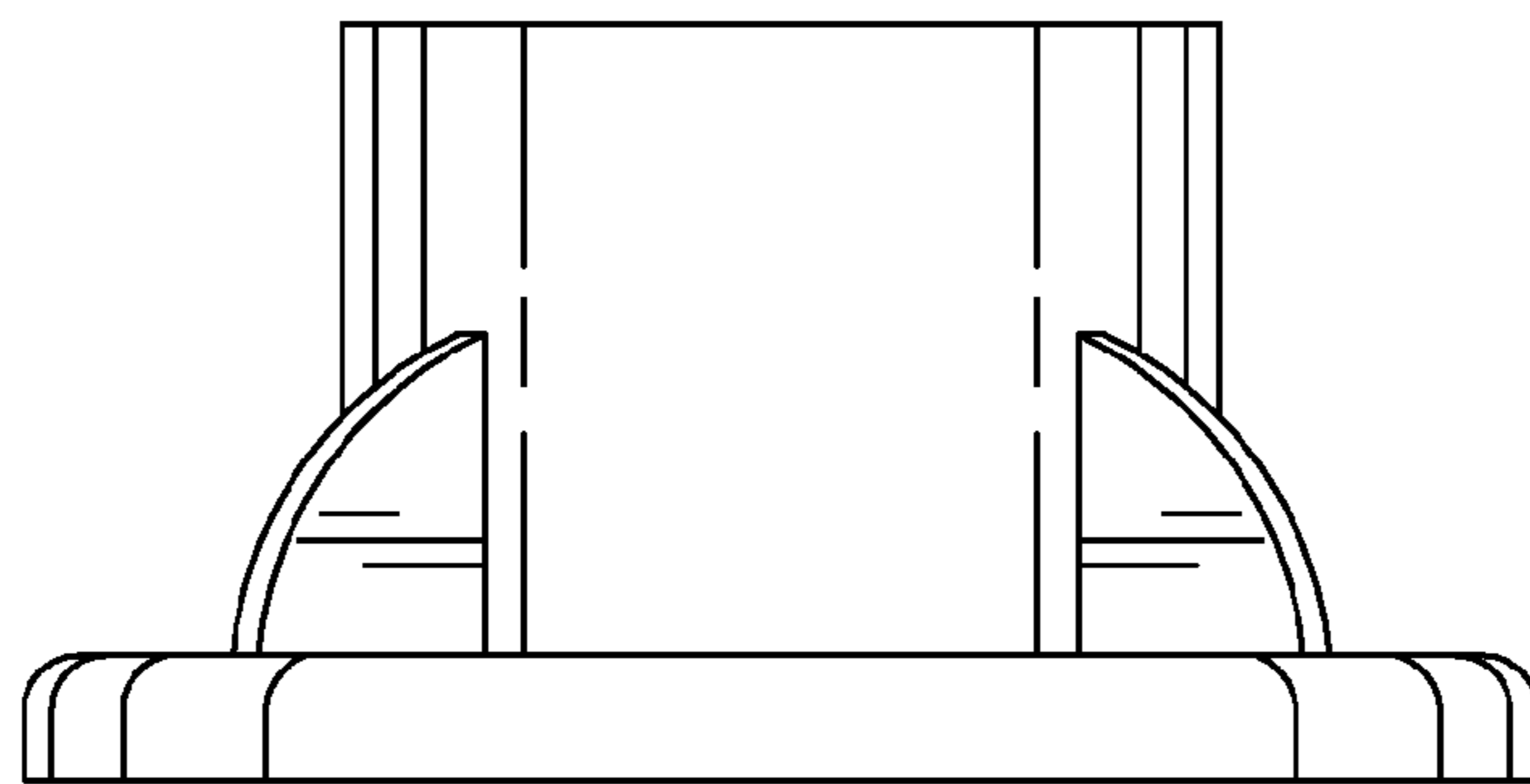
**FIG. 3**



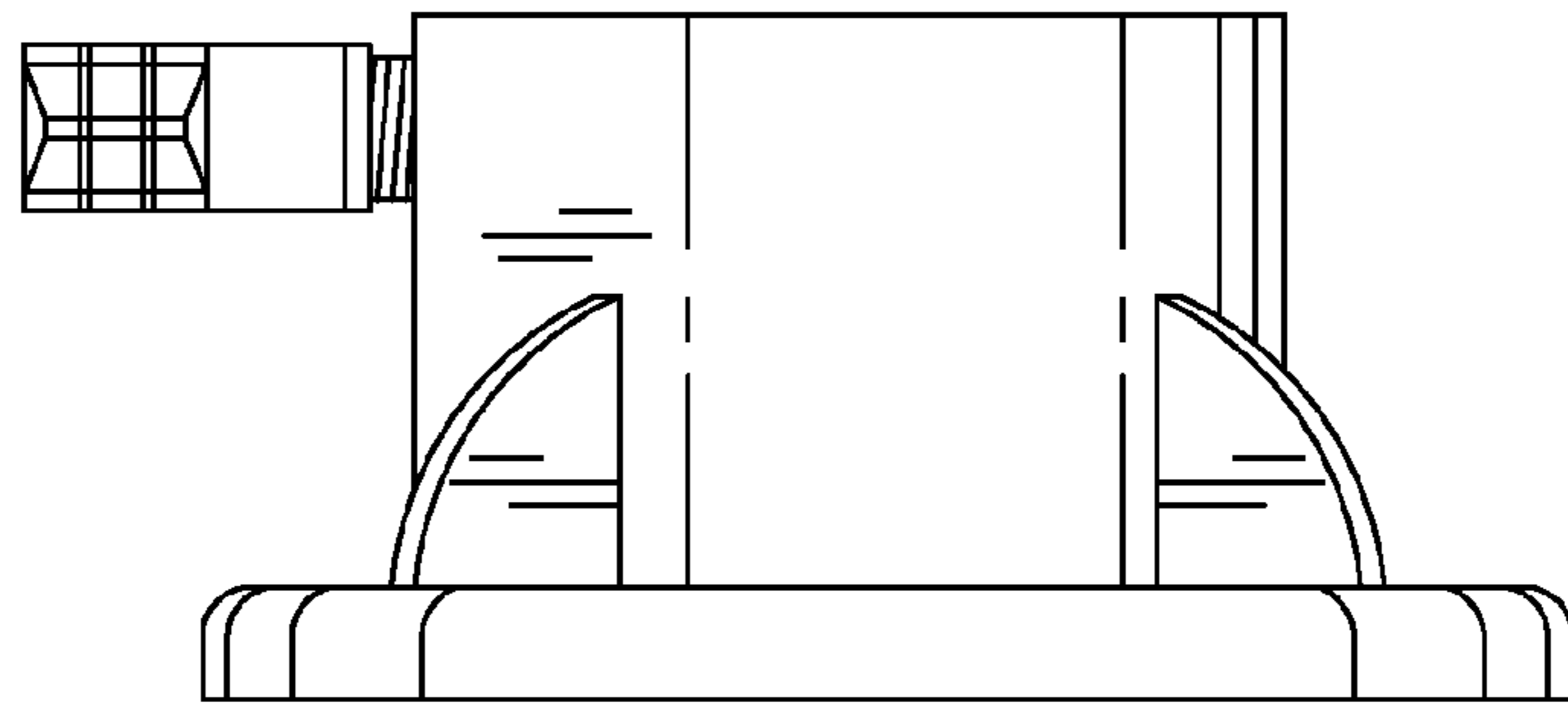
**FIG. 4**



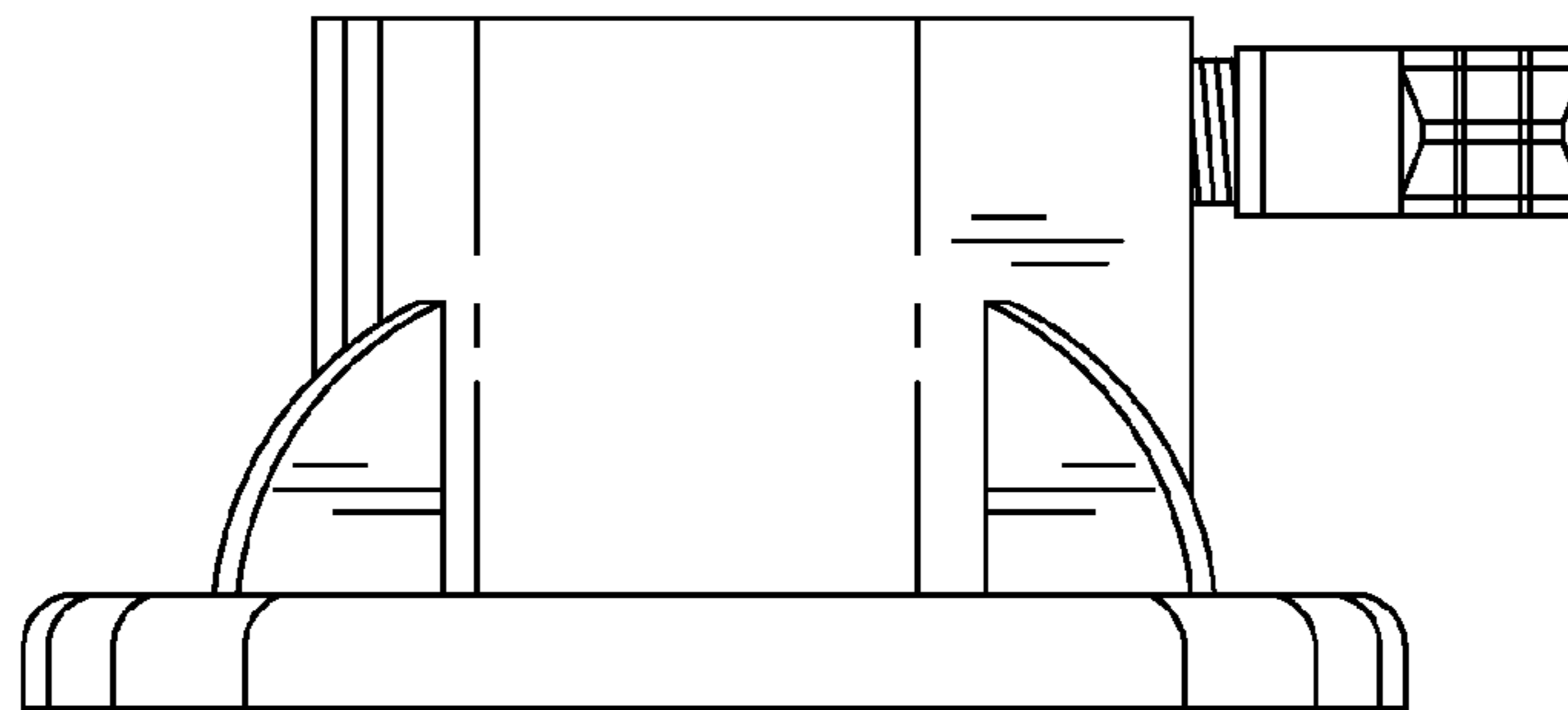
**FIG. 5**



**FIG. 6**



**FIG. 7**



**FIG. 8**

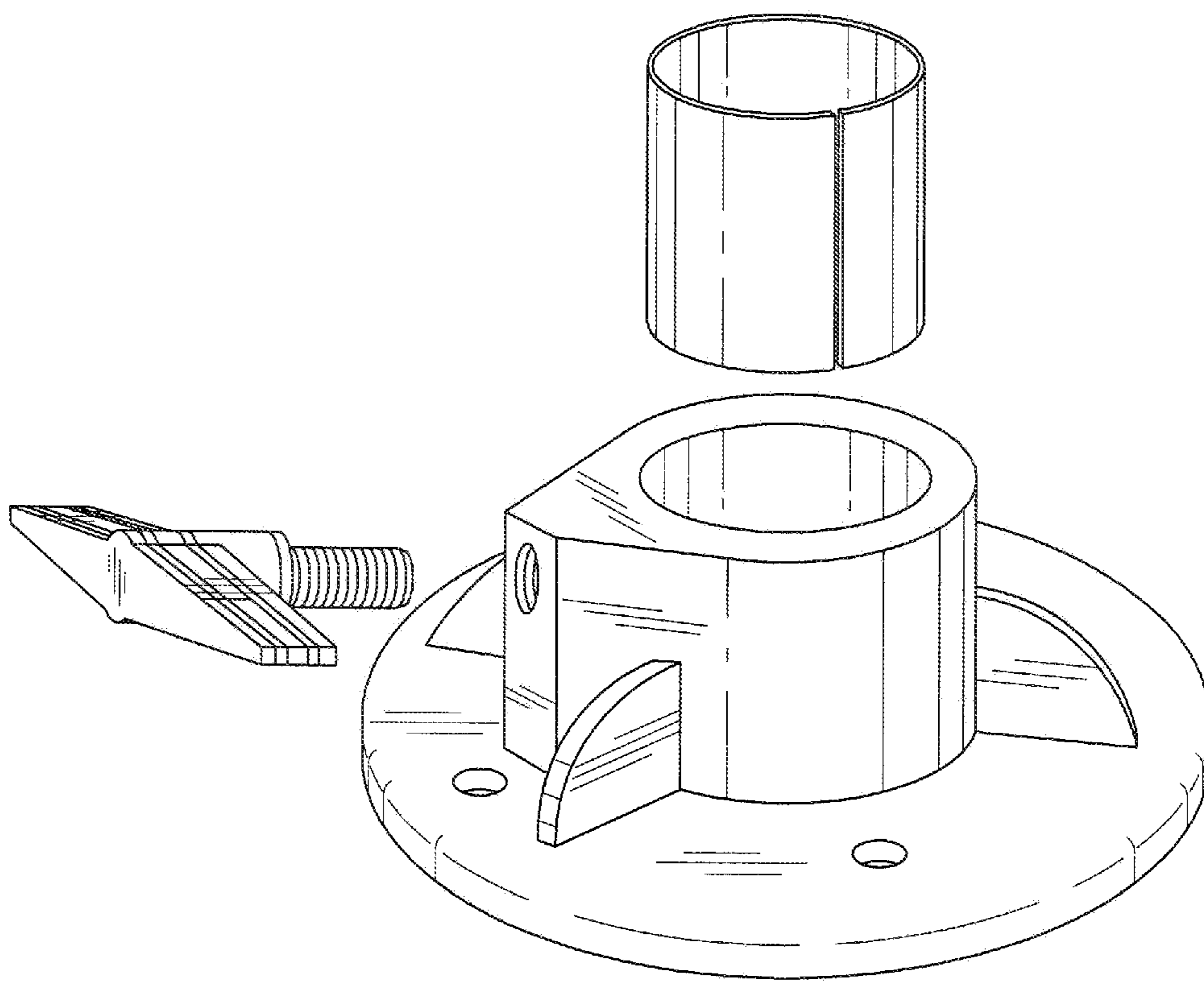


FIG. 9