



US00D641983S

(12) **United States Design Patent**
Hazzard

(10) **Patent No.:** **US D641,983 S**

(45) **Date of Patent:** **** Jul. 26, 2011**

(54) **OFFICE CHAIR**

(75) Inventor: **Tracy Leigh Hazzard**, Ladera Ranch,
CA (US)

(73) Assignee: **Whalen Furniture Manufacturing,**
Inc., San Diego, CA (US)

(**) Term: **14 Years**

(21) Appl. No.: **29/365,903**

(22) Filed: **Jul. 16, 2010**

(51) **LOC (9) Cl.** **06-01**

(52) **U.S. Cl.** **D6/366**

(58) **Field of Classification Search** D6/334-336,
D6/364, 365, 366, 367, 374, 476, 379, 380,
D6/500-502; 297/300.1, 300.2, 411.27,
297/411.36, 452.21, 452.29, 452.3, 452.48
See application file for complete search history.

(56) **References Cited**

U.S. PATENT DOCUMENTS

D393,755 S * 4/1998 Nemeth, Jr. D6/366
D437,702 S * 2/2001 Koepke et al. D6/366

6,296,309 B1 * 10/2001 Kurtz 297/300.2
D507,437 S * 7/2005 Klaasen et al. D6/500
D558,995 S * 1/2008 Igarashi D6/366
D576,809 S * 9/2008 Christianson et al. D6/356
D597,329 S * 8/2009 Tanaka et al. D6/366

* cited by examiner

Primary Examiner — Mimosa De

(74) *Attorney, Agent, or Firm* — Barlow, Josephs & Holmes,
Ltd.

(57) **CLAIM**

The ornamental design for office chair, as shown and
described.

DESCRIPTION

FIG. 1 is a front perspective view of the office chair in accordance with the present invention;
FIG. 2 is a front view thereof;
FIG. 3 is a rear view thereof;
FIG. 4 is a left side view thereof;
FIG. 5 is a right side view thereof;
FIG. 6 is a top view thereof; and,
FIG. 7 is a bottom view thereof.

1 Claim, 6 Drawing Sheets

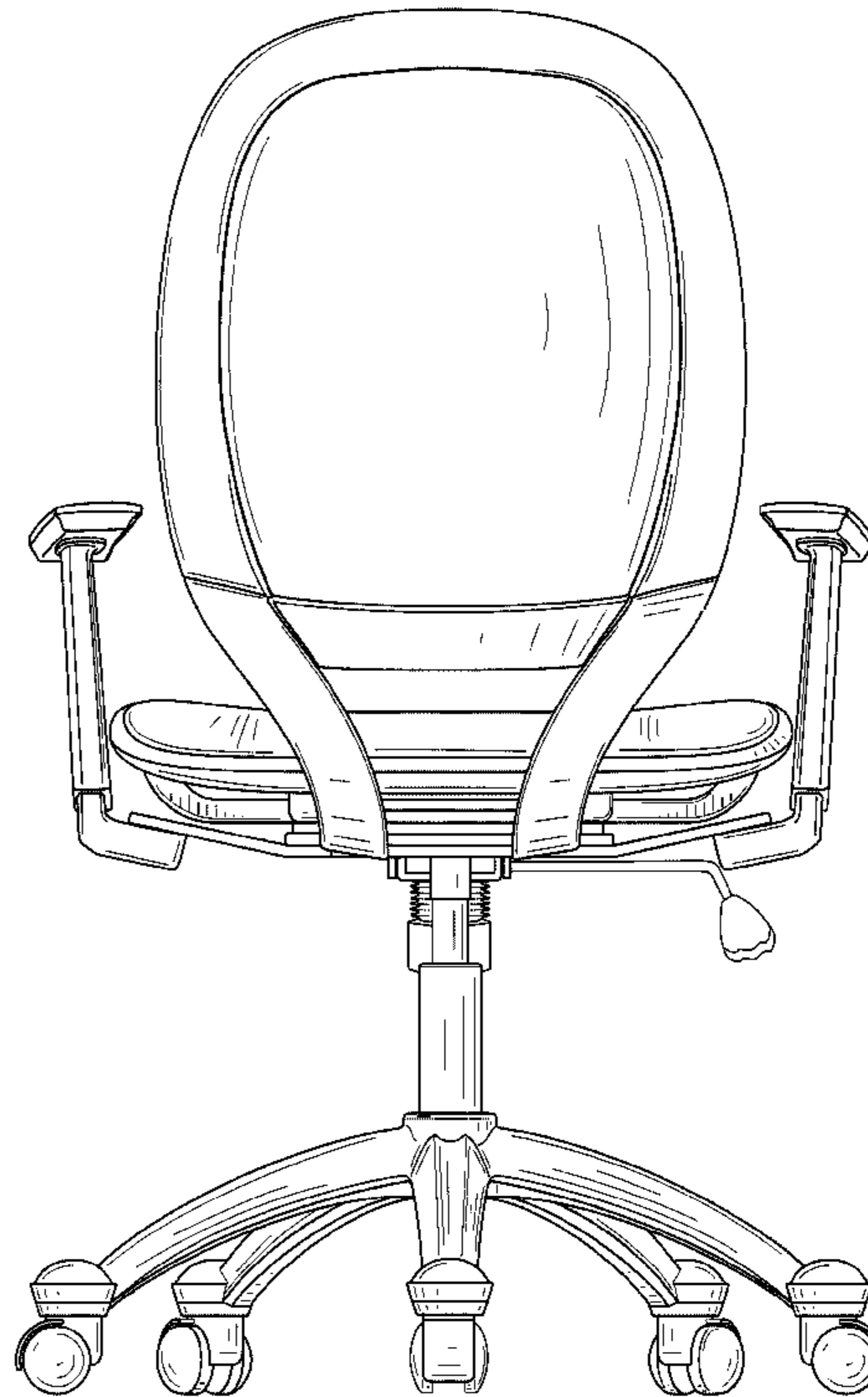




FIG. 1

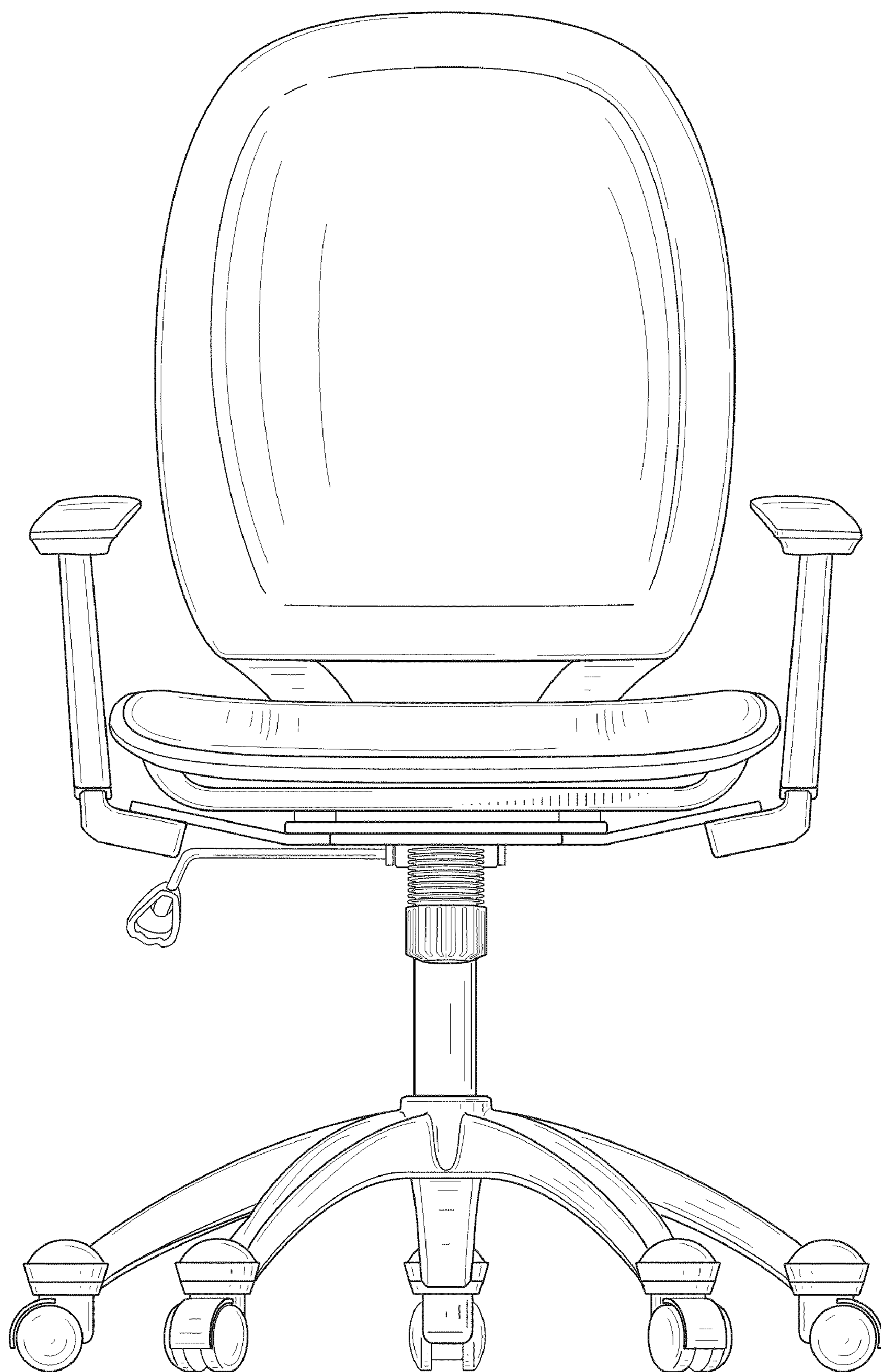


FIG. 2

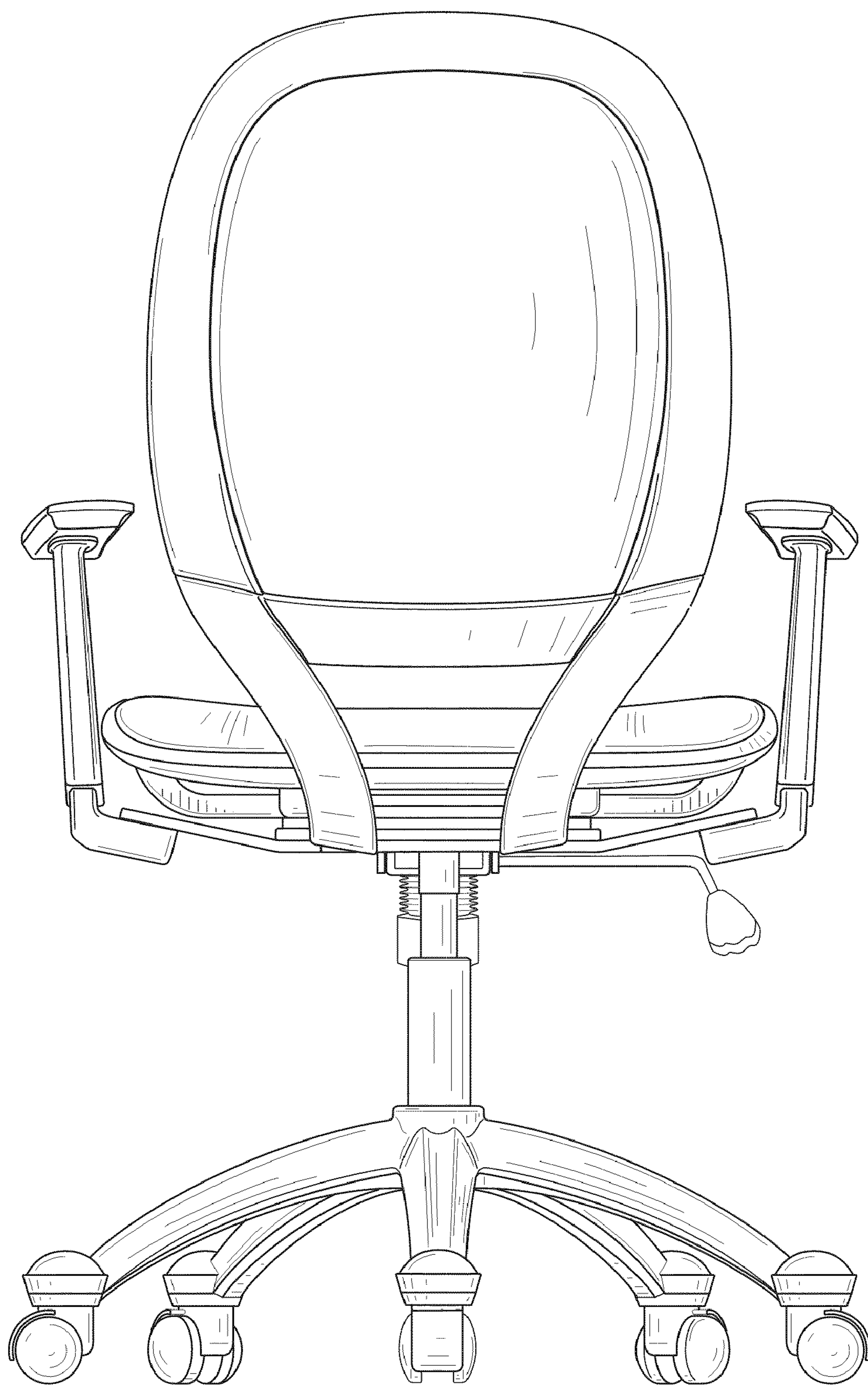


FIG. 3

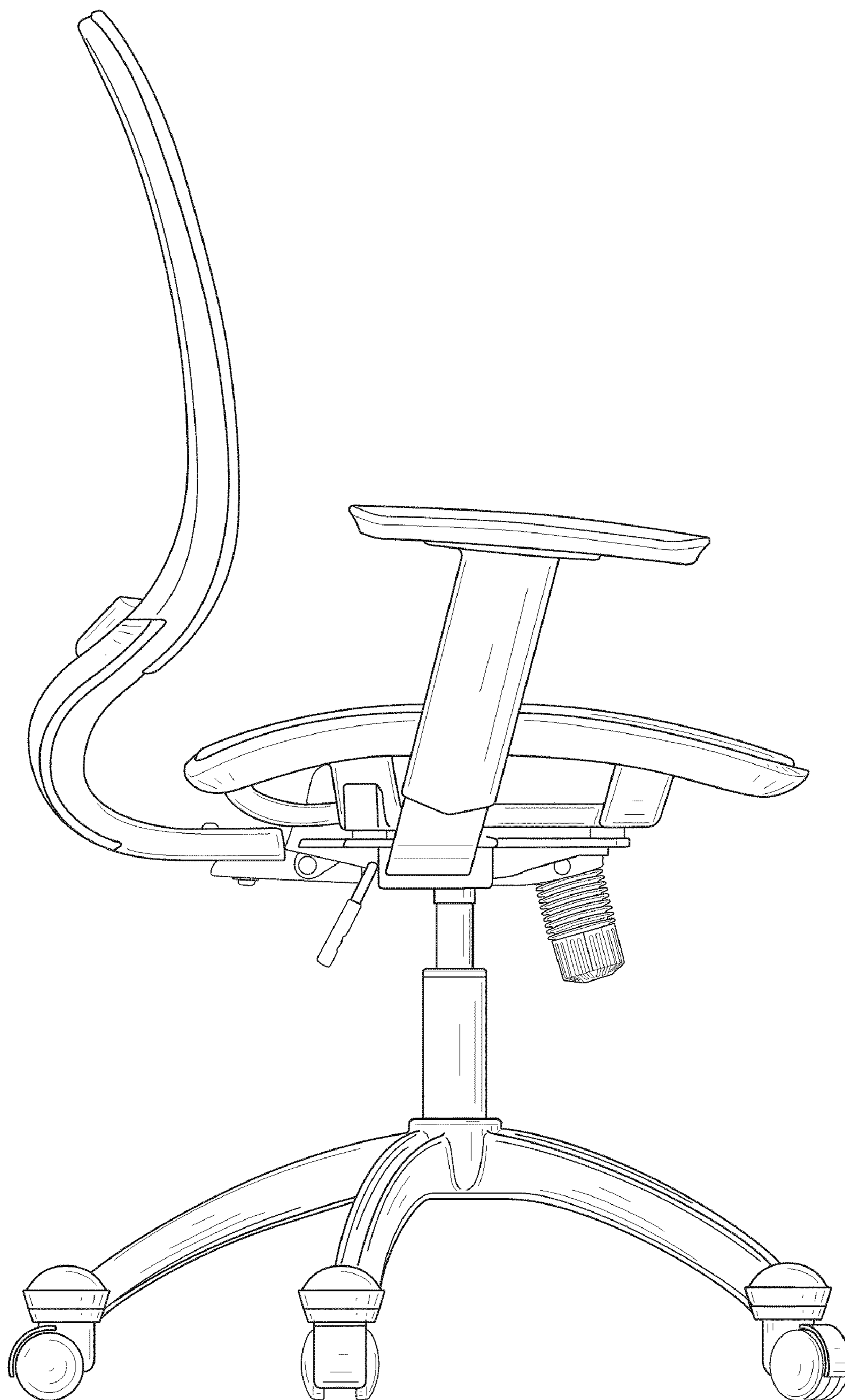


FIG. 4

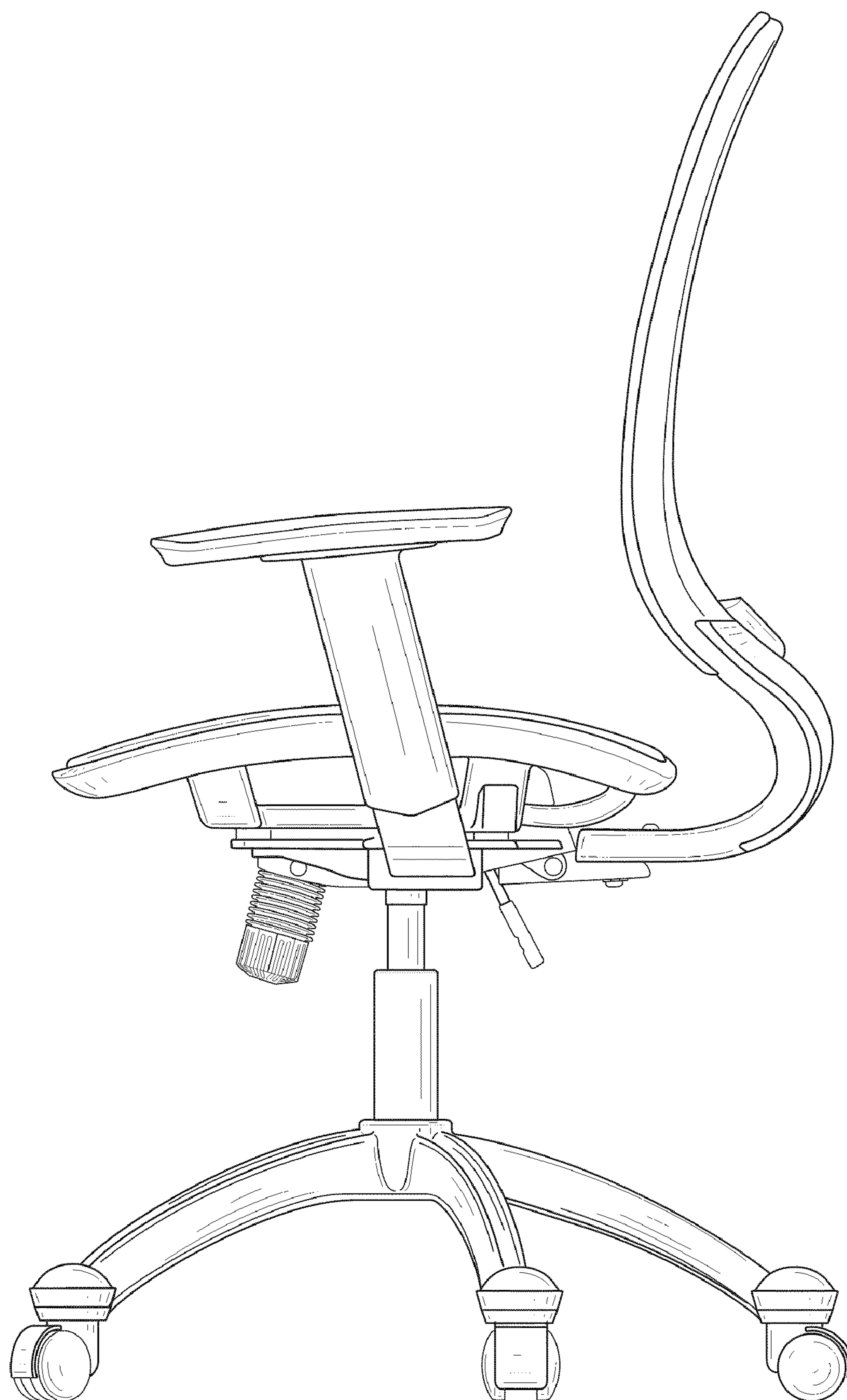


FIG. 5

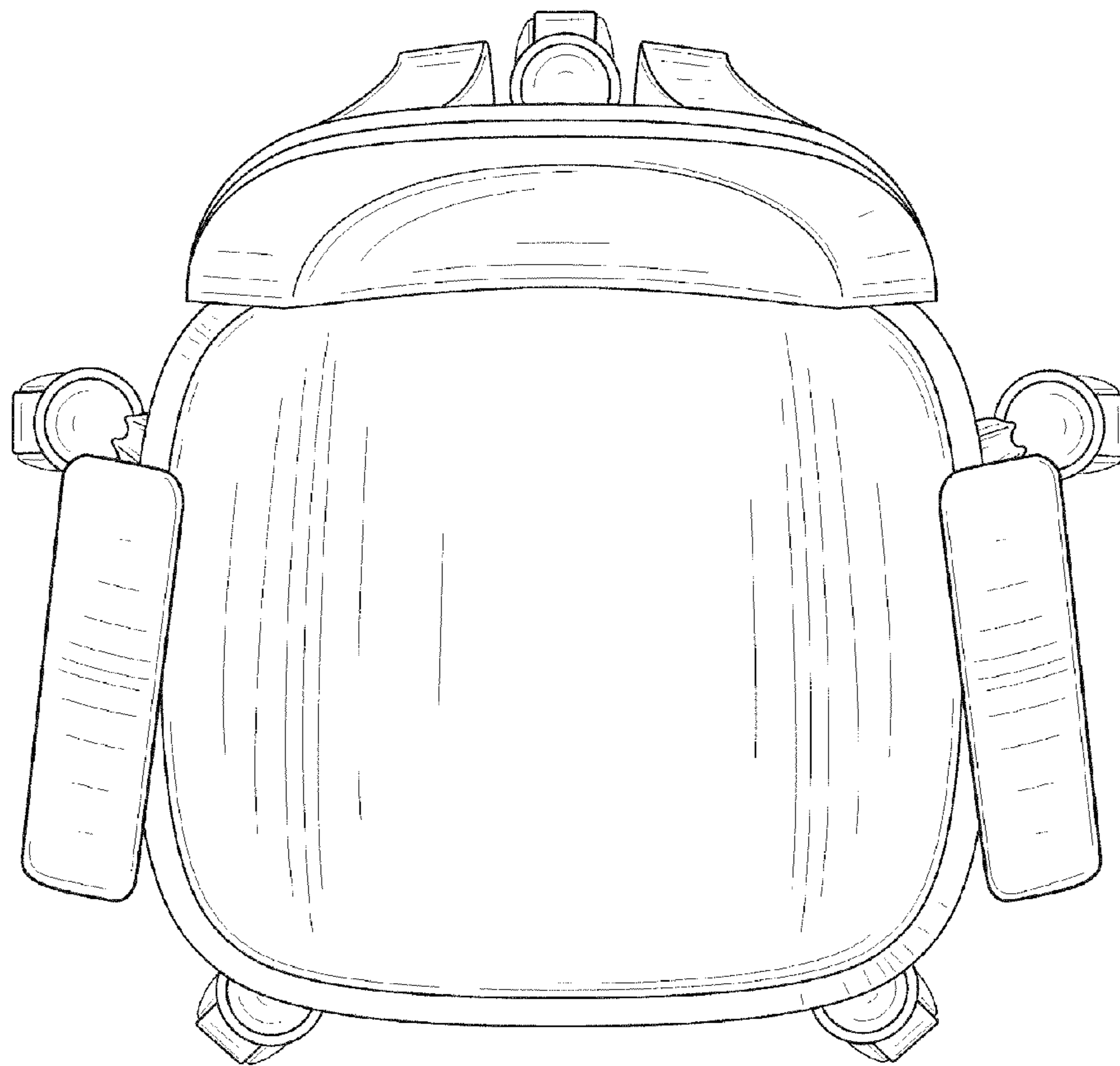


FIG. 6

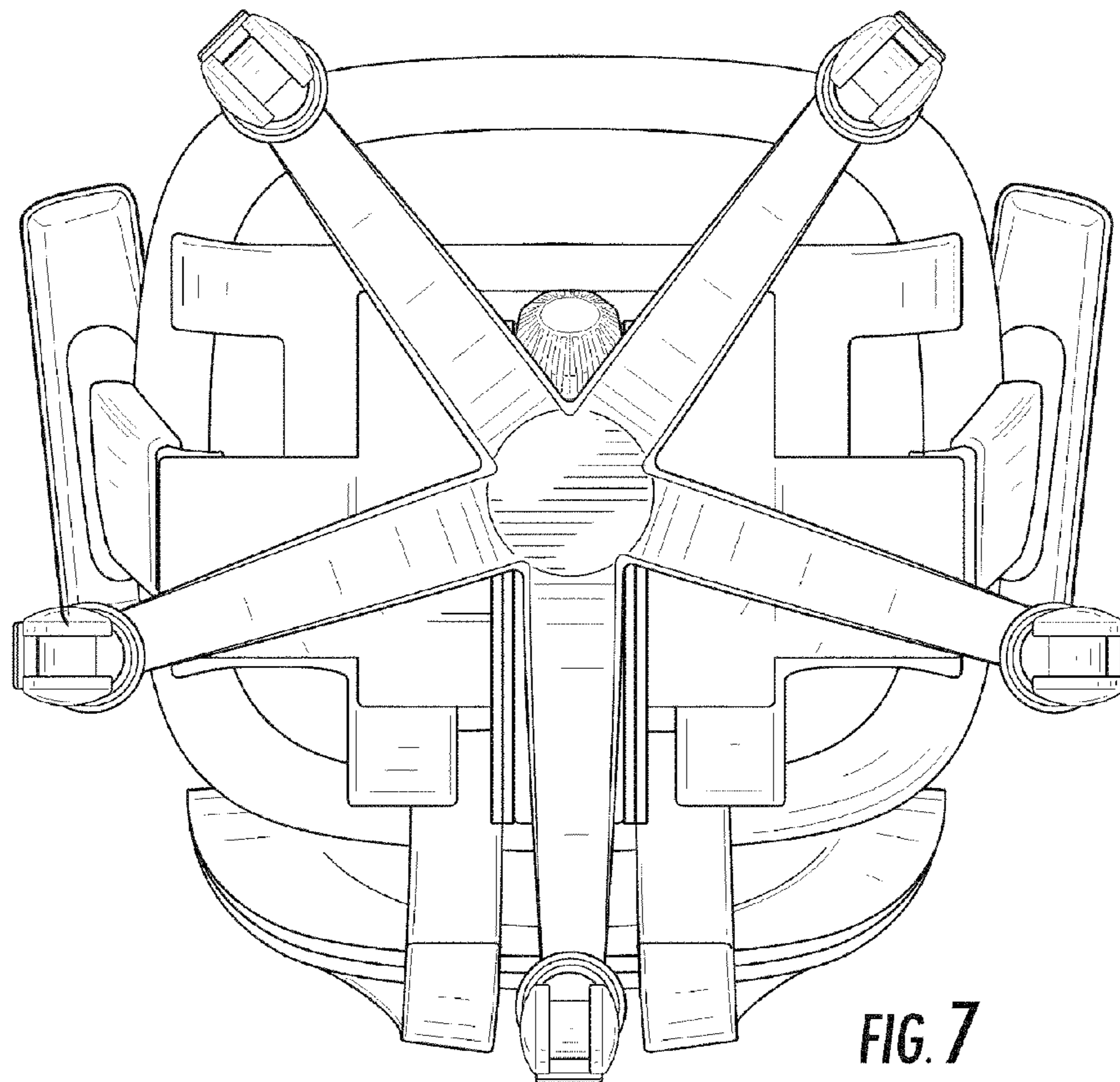


FIG. 7