



US00D641980S

(12) **United States Design Patent**
Macoretta

(10) **Patent No.:** **US D641,980 S**

(45) **Date of Patent:** **** Jul. 26, 2011**

(54) **BIN COVER**

(76) Inventor: **Colleen Macoretta**, Welland (CA)

(**) Term: **14 Years**

(21) Appl. No.: **29/386,160**

(22) Filed: **Feb. 25, 2011**

(51) **LOC (9) Cl.** **03-01**

(52) **U.S. Cl.** **D3/306**

(58) **Field of Classification Search** D3/201,
D3/304-306, 308-309, 312, 314, 323; 220/485,
220/493; D19/75, 90

See application file for complete search history.

(56) **References Cited**

U.S. PATENT DOCUMENTS

5,941,408	A *	8/1999	Sherman	220/495.01
D433,709	S *	11/2000	Hardy	D19/75
D445,255	S *	7/2001	Rine et al.	D3/318
D453,027	S *	1/2002	Andujar	D19/90
D476,155	S *	6/2003	Post et al.	D6/510
D528,300	S *	9/2006	Hardy et al.	D3/306
D536,872	S *	2/2007	Kellogg et al.	D3/305
D579,660	S *	11/2008	Snider	D3/304
D582,161	S *	12/2008	Hardy et al.	D3/306
D586,558	S *	2/2009	Ziemann et al.	D3/304
D615,328	S *	5/2010	Snider	D6/510
D635,363	S *	4/2011	Hertaus	D3/307

* cited by examiner

Primary Examiner — Elizabeth Albert
Assistant Examiner — Kelley Donnelly

(57) **CLAIM**

The ornamental design for a bin cover, as shown and described.

DESCRIPTION

FIG. 1 is a top plan view of the present design a bin cover. FIG. 2 is a side elevational view of the bin cover shown in FIG. 1.

FIG. 3 is a top left perspective view of the bin cover shown in FIG. 1.

FIG. 4 is a top right perspective view of the bin cover shown in FIG. 1.

FIG. 5 is a bottom left perspective view of the bin cover shown in FIG. 1; and,

FIG. 6 is a bottom right perspective view of the bin cover shown in FIG. 1.

The cross hatched pattern on the interior walls and interior bottom of the “bin cover” represent a type of mesh material. The -S-shaped shade lines shown on the claimed design represent a type of wavy loose fabric and do not represent surface ornamentation.

1 Claim, 3 Drawing Sheets

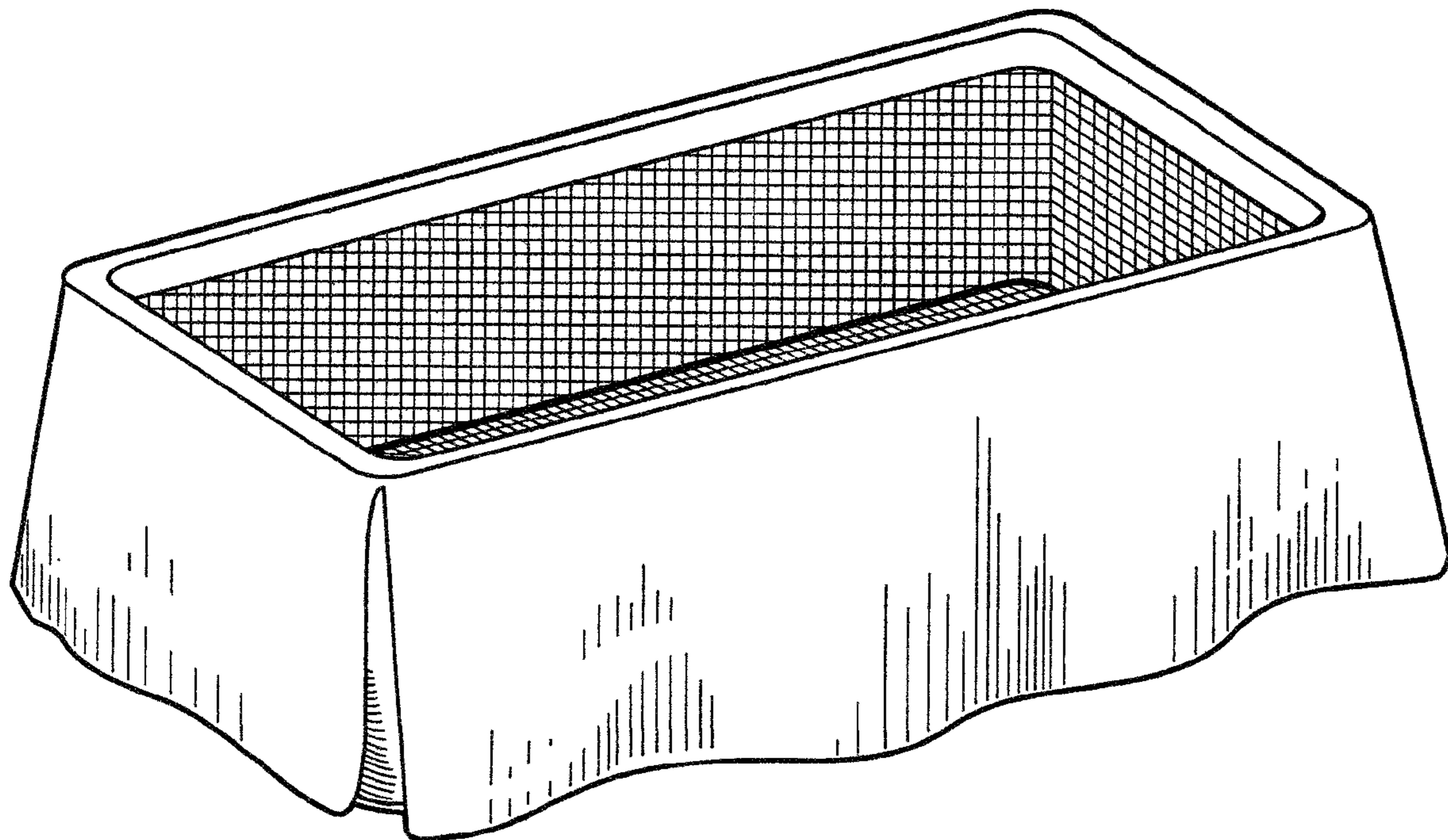


FIG. 1

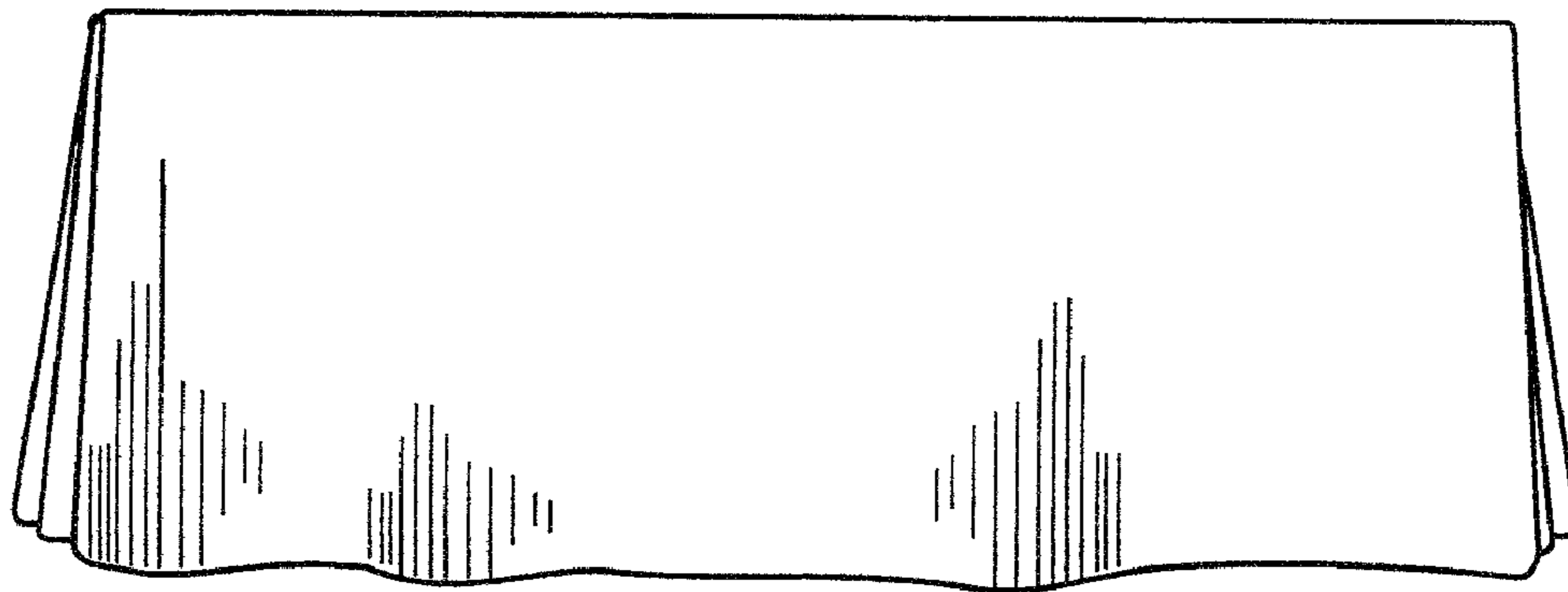
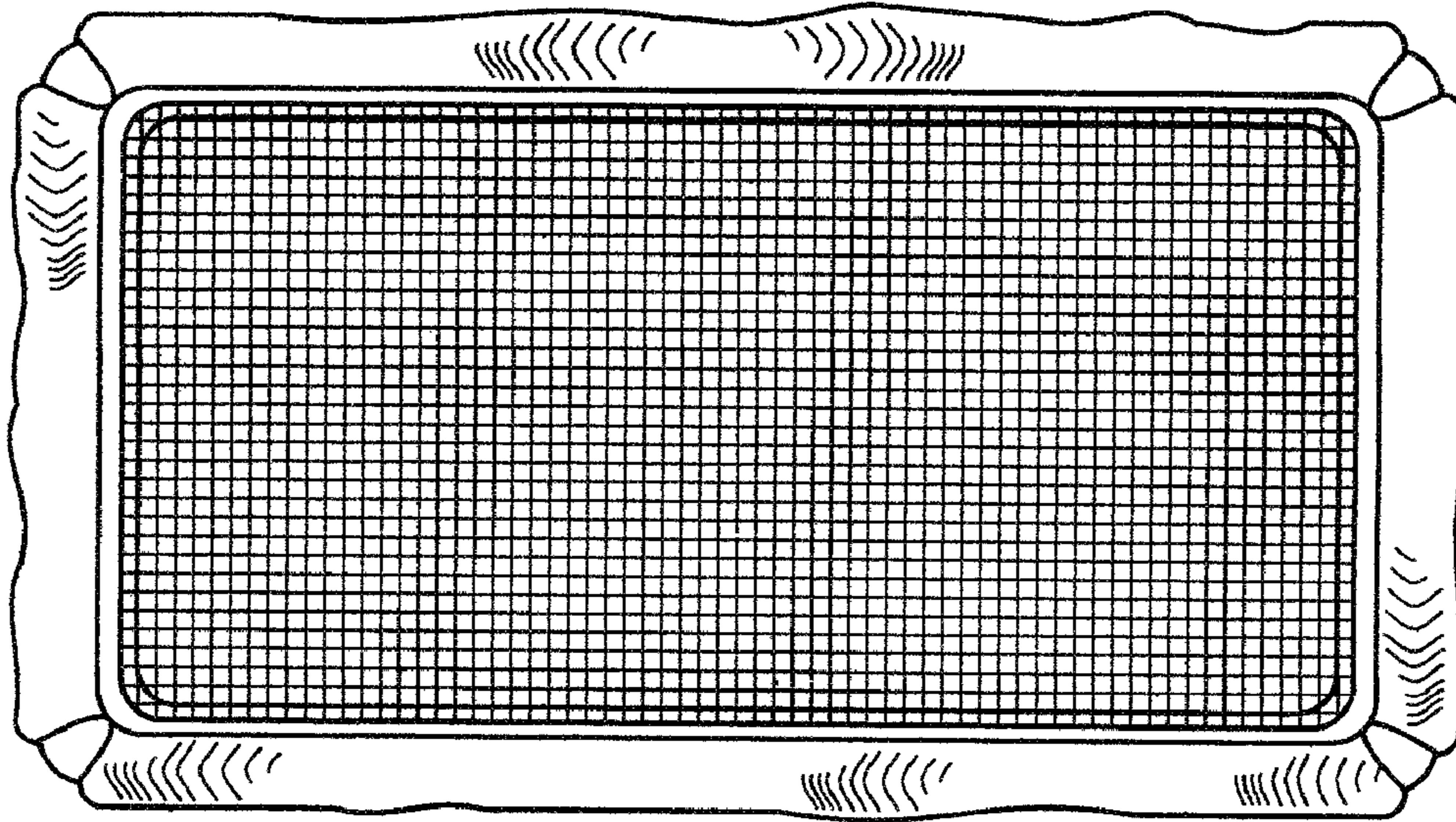


FIG. 2

