



US00D641974S

(12) **United States Design Patent**
Stampfli

(10) **Patent No.:** **US D641,974 S**

(45) **Date of Patent:** **** Jul. 26, 2011**

(54) **H4 PHONE HOLSTER**

(76) Inventor: **Urs Stampfli**, Weston, FL (US)

(**) Term: **14 Years**

(21) Appl. No.: **29/379,375**

(22) Filed: **Nov. 18, 2010**

Primary Examiner — Catheri Oliver

(74) *Attorney, Agent, or Firm* — Joseph W. Bain; Novack Druce & Quigg LLP

(57) **CLAIM**

The ornamental design for a H4 phone holster, as shown and described.

Related U.S. Application Data

(63) Continuation of application No. 12/820,110, filed on Jun. 21, 2010.

(51) **LOC (9) Cl.** **03-01**

(52) **U.S. Cl.** **D3/218**

(58) **Field of Classification Search** D3/218,
D3/215, 219, 224, 226, 201, 269; 224/240–241,
224/901, 904, 676–681, 674, 578, 196, 269,
224/666, 930, 640, 646; 379/446, 455;
D14/250–251, 253, 138; 455/575.1–575.8;
206/305, 320

See application file for complete search history.

DESCRIPTION

FIG. 1 is a perspective view of one embodiment of the H4 phone holster, showing my ornamental design;

FIG. 2 is a front elevation view of the ornamental design of FIG. 1;

FIG. 3 is a rear elevation view of the ornamental design of FIG. 1;

FIG. 4 is a left side elevation view of the ornamental design of FIG. 1;

FIG. 5 is a right side elevation view of the ornamental design of FIG. 1;

FIG. 6 is a bottom plan view of the ornamental design of FIG. 1;

FIG. 7 is a top plan view of the ornamental design of FIG. 1; and,

FIG. 8 is a perspective view of the ornamental design of the H4 phone holster in an open position.

The broken line portions are for illustration purposes only and form no part of the claimed design.

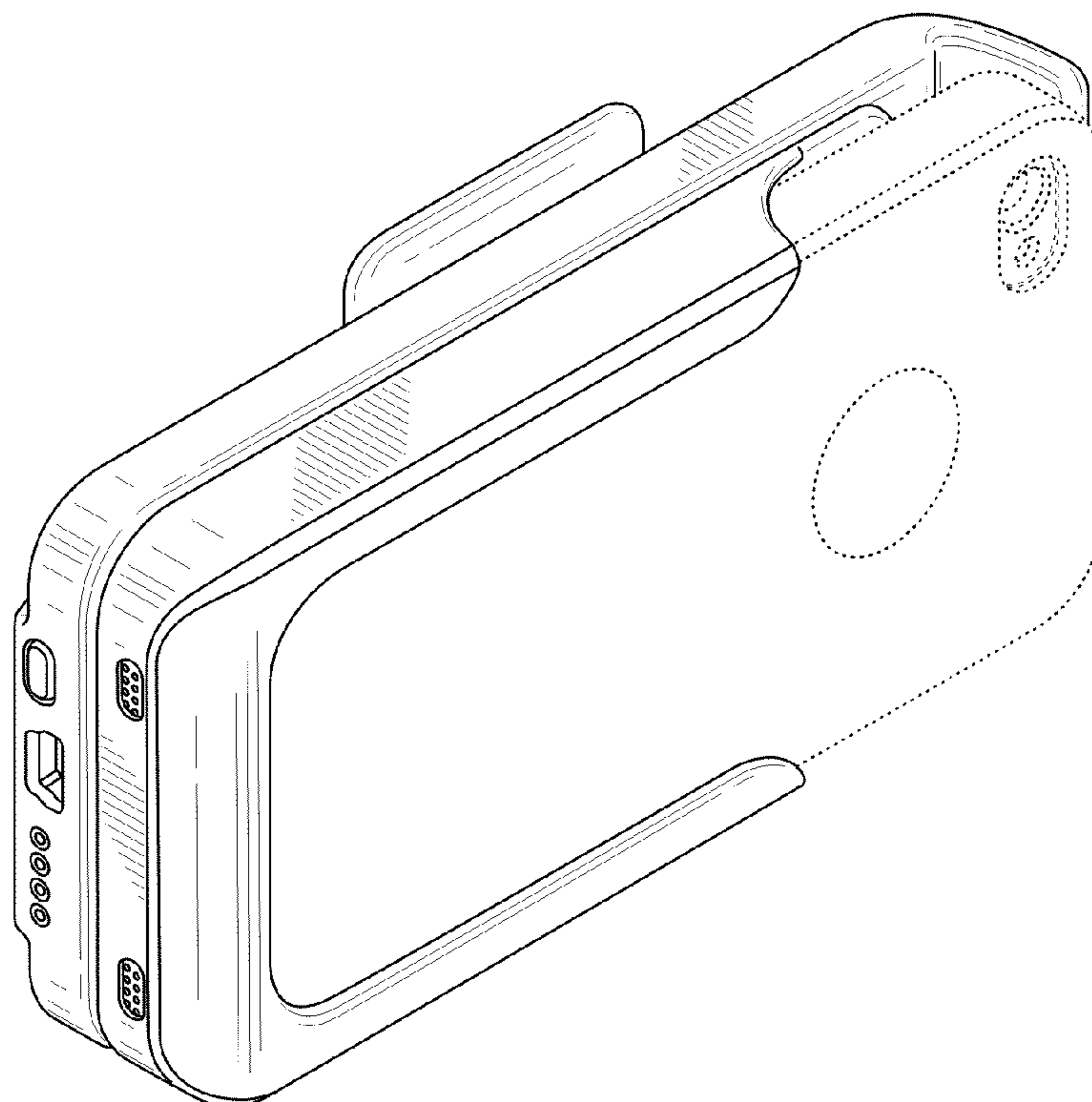
(56) **References Cited**

U.S. PATENT DOCUMENTS

D594,224 S *	6/2009	Leung et al.	D3/218
D603,603 S *	11/2009	Laine et al.	D3/218
D609,463 S *	2/2010	Bullen	D3/218
D609,464 S *	2/2010	Bullen	D3/218
D629,193 S *	12/2010	Liu	D3/218

* cited by examiner

1 Claim, 6 Drawing Sheets



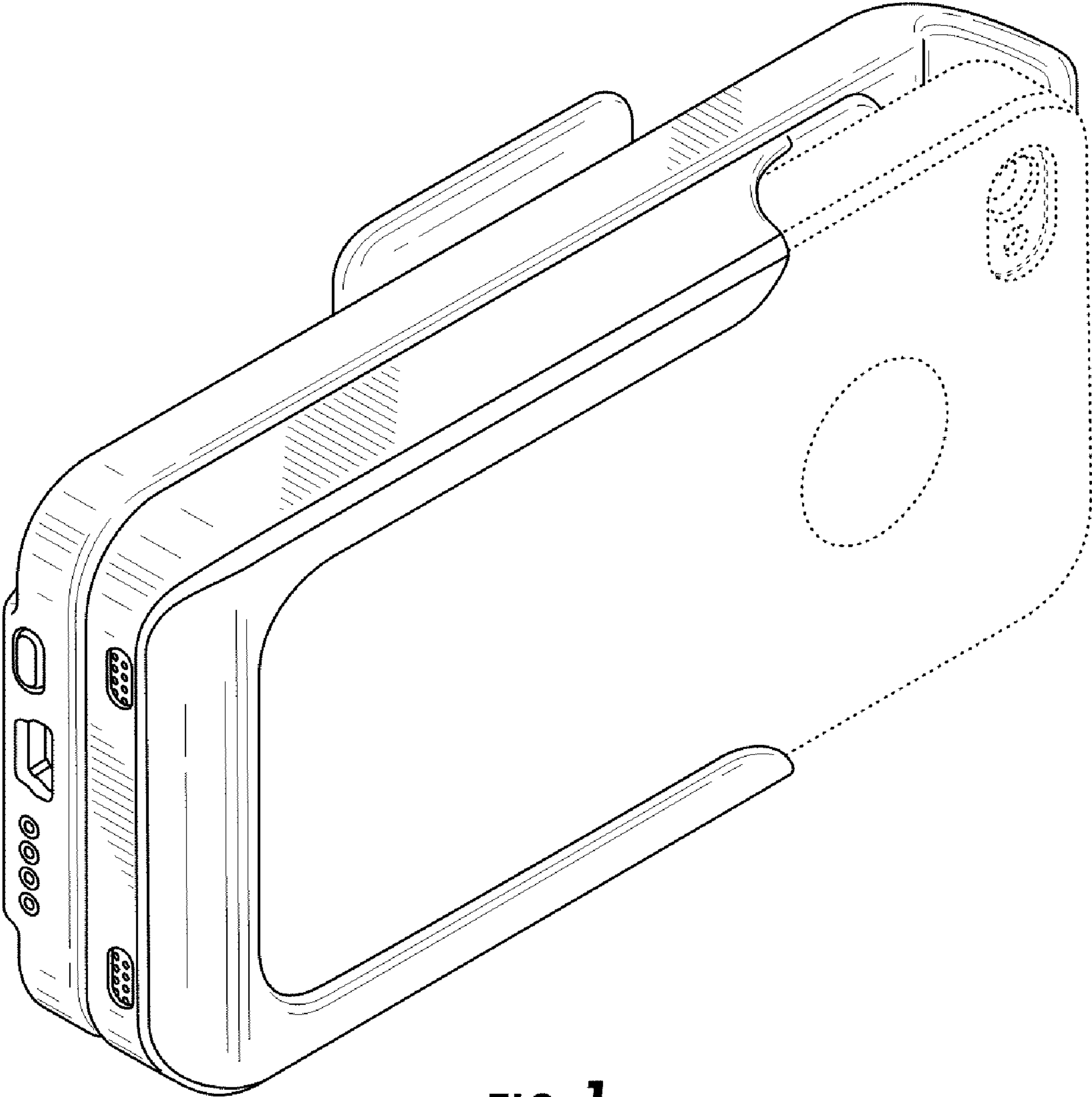


FIG. 1

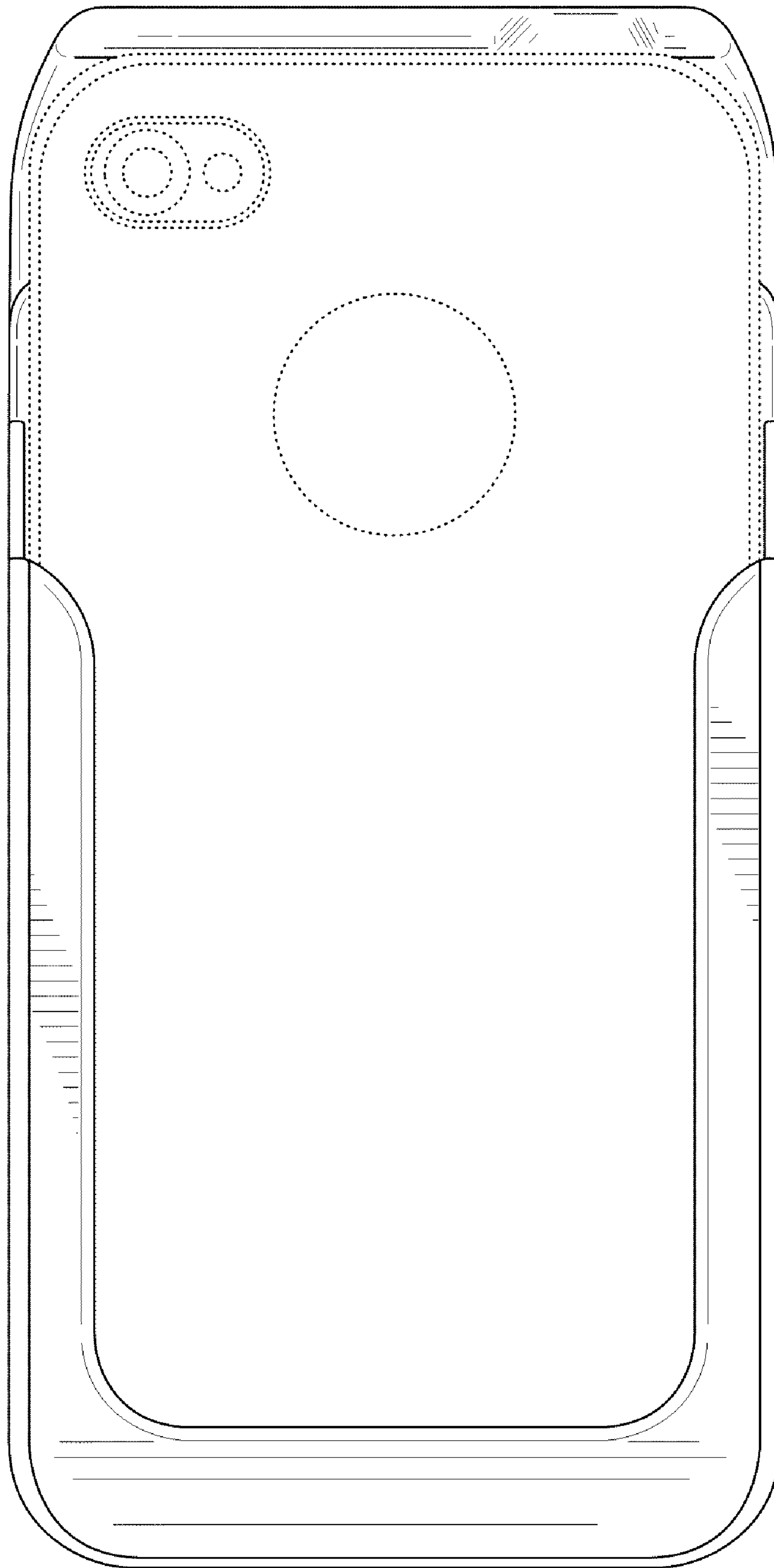


FIG. 2

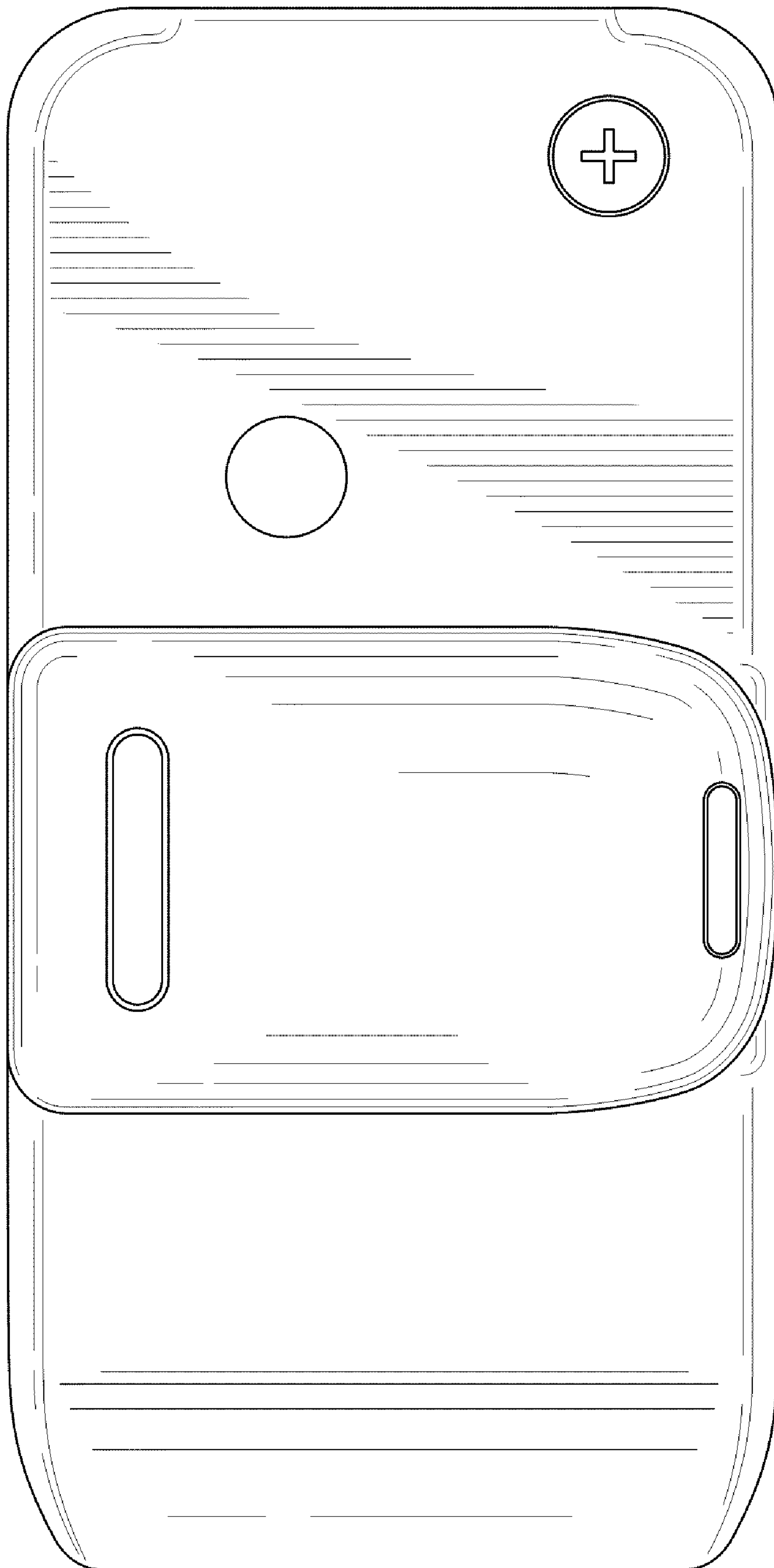


FIG. 3

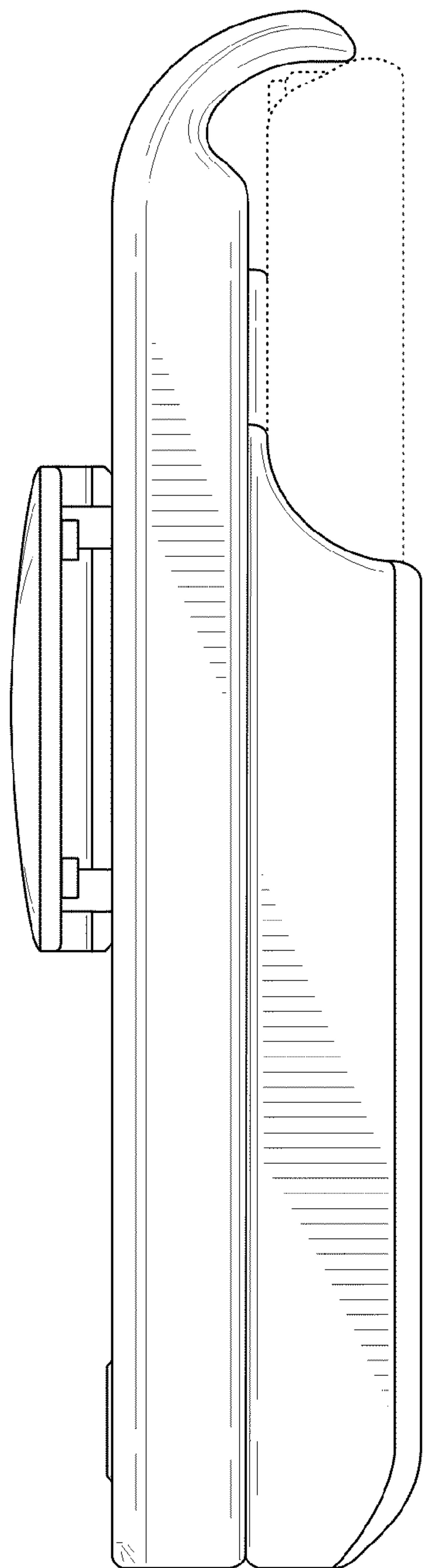


FIG. 4

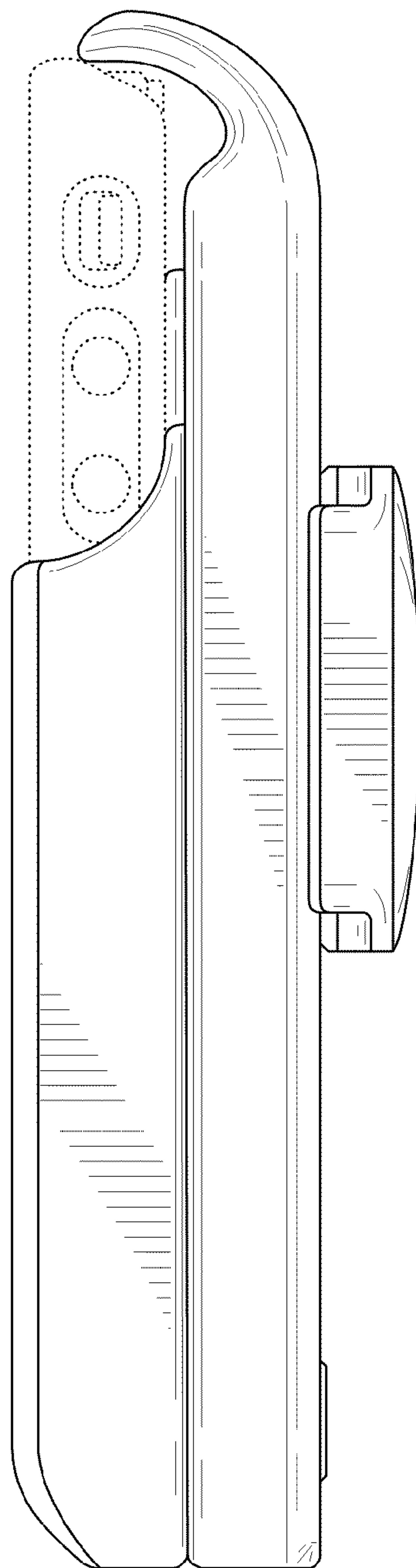


FIG. 5

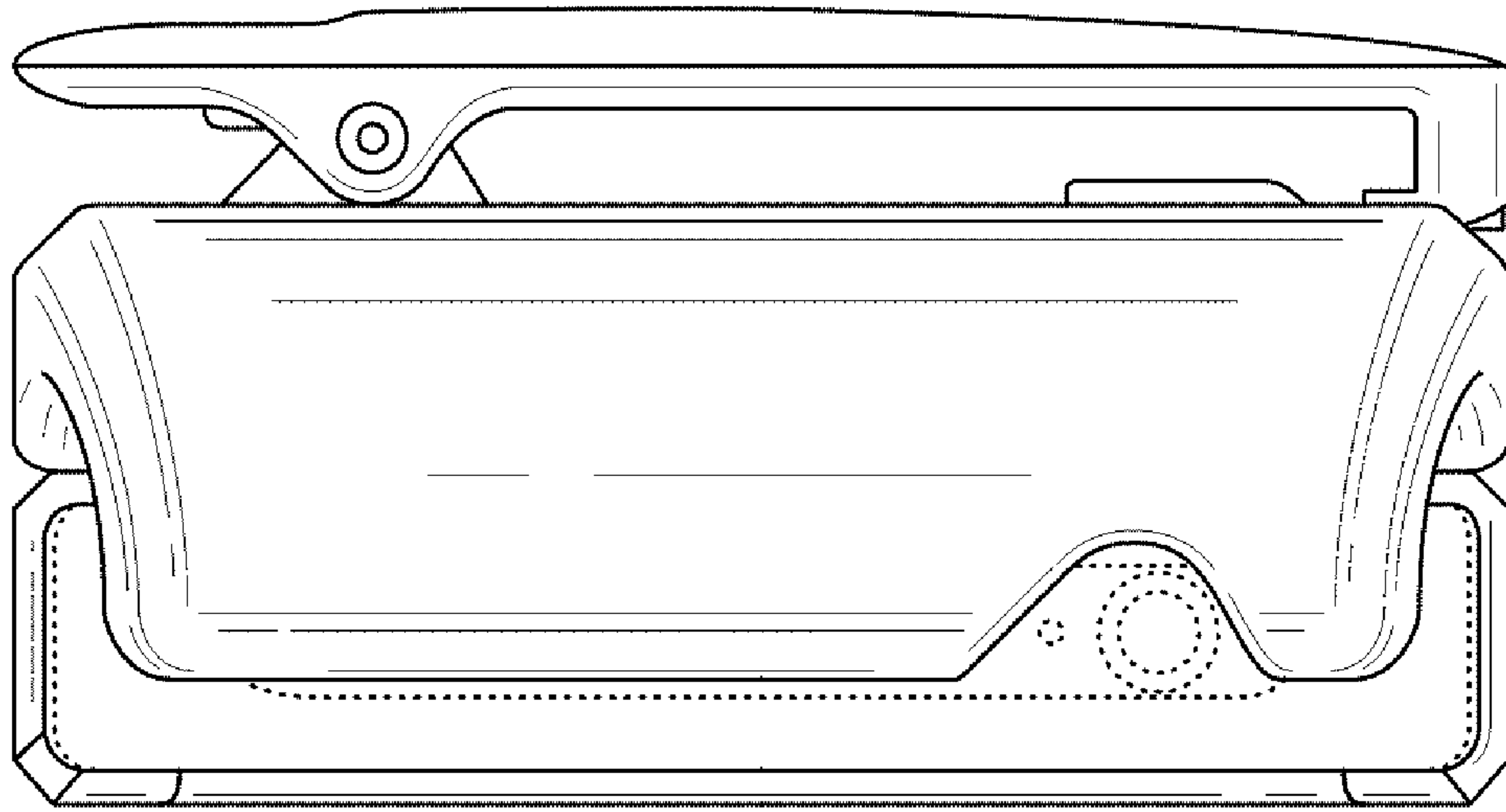


FIG. 7

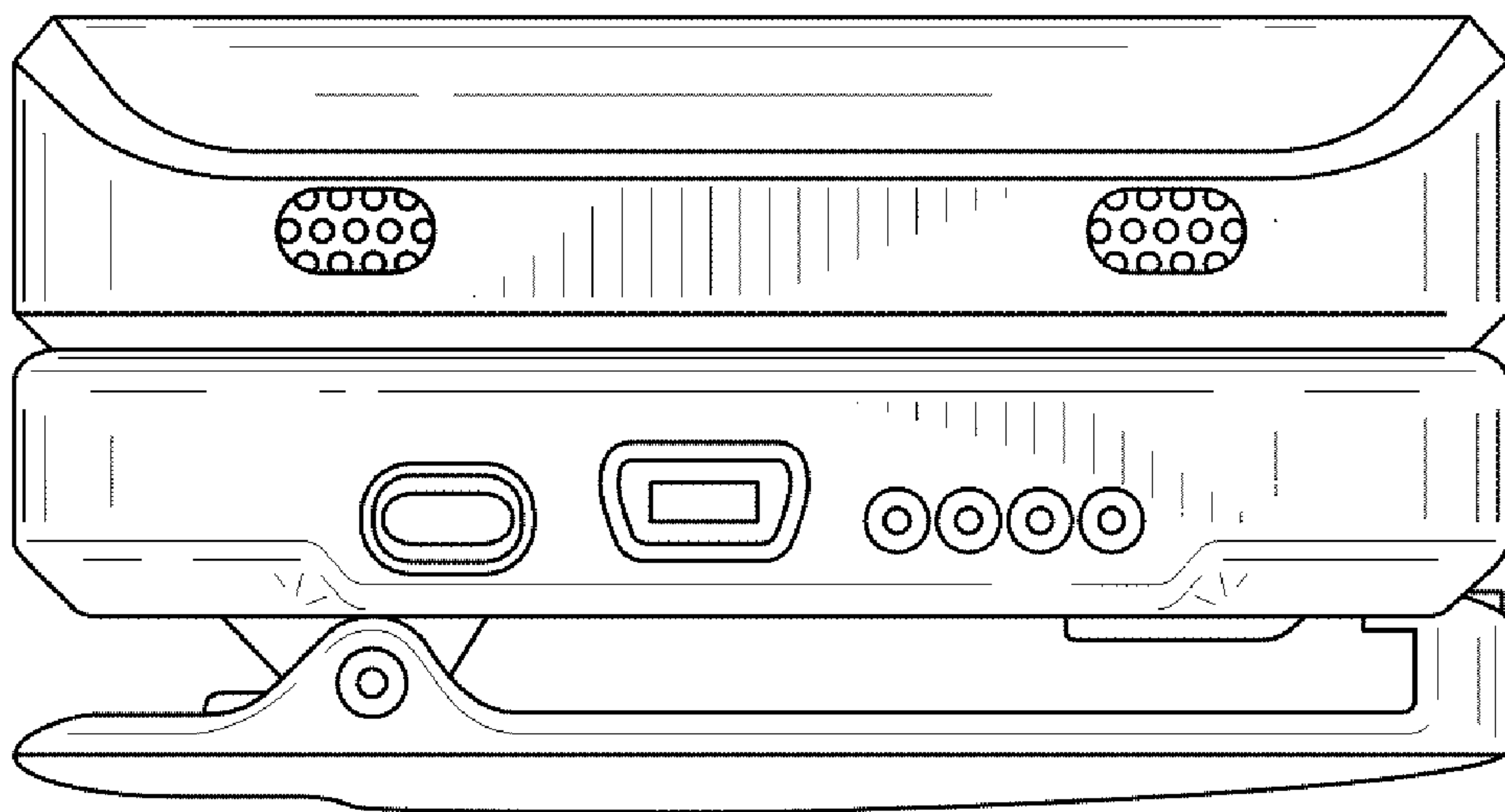


FIG. 6

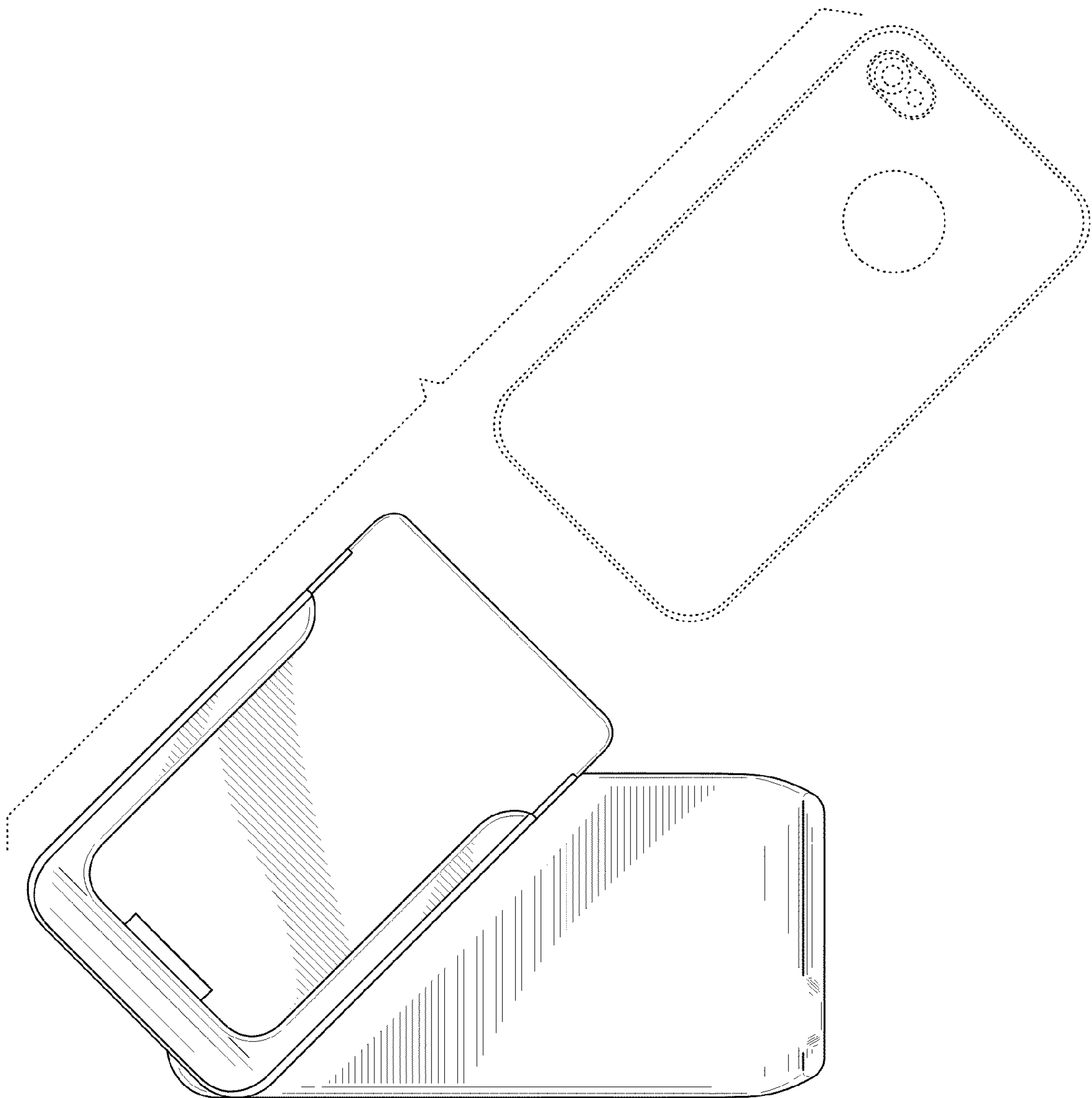


FIG. 8