



US00D641972S

(12) **United States Design Patent**
Lyons et al.

(10) **Patent No.:** **US D641,972 S**
(45) **Date of Patent:** **** Jul. 26, 2011**

(54) **BABY TOY HOLDER**

(74) *Attorney, Agent, or Firm* — Nancy J. Flint, Esq.

(76) Inventors: **Christine Lyons**, Palm Beach Gardens, FL (US); **Lyndsy Lyons**, Palm Beach Gardens, FL (US)

(57) **CLAIM**
The ornamental design for a baby toy holder, as shown and described.

(**) Term: **14 Years**

(21) Appl. No.: **29/366,227**

DESCRIPTION

(22) Filed: **Jul. 21, 2010**

(51) **LOC (9) Cl.** **03-99**

(52) **U.S. Cl.** **D3/213**

(58) **Field of Classification Search** D3/213-215;
224/155-161, 264, 270, 907; 446/28
See application file for complete search history.

FIG. 1 is a front view of a first embodiment of a baby toy holder showing our new design;
FIG. 2 is a back view of a baby toy holder showing our new design;
FIG. 3 is a right side view of a baby toy holder showing our new design;
FIG. 4 is a top view of a baby toy holder showing our new design;
FIG. 5 is a bottom view of a baby toy holder showing our new design;
FIG. 6 is a front view of a second embodiment of a baby toy holder showing our new design;
FIG. 7 is a back view of the alternative embodiment of a baby toy holder showing our new design;
FIG. 8 is a right side view of the alternative embodiment of a baby toy holder showing our new design;
FIG. 9 is a top view of the alternative embodiment of a baby toy holder showing our new design; and,
FIG. 10 is a bottom view of the alternative embodiment of a baby toy holder showing our new design.
The left side views not shown are mirror images of the right side views. Any broken line illustration of environmental structure in the drawings are not part of the design sought to be patented.

(56) **References Cited**

U.S. PATENT DOCUMENTS

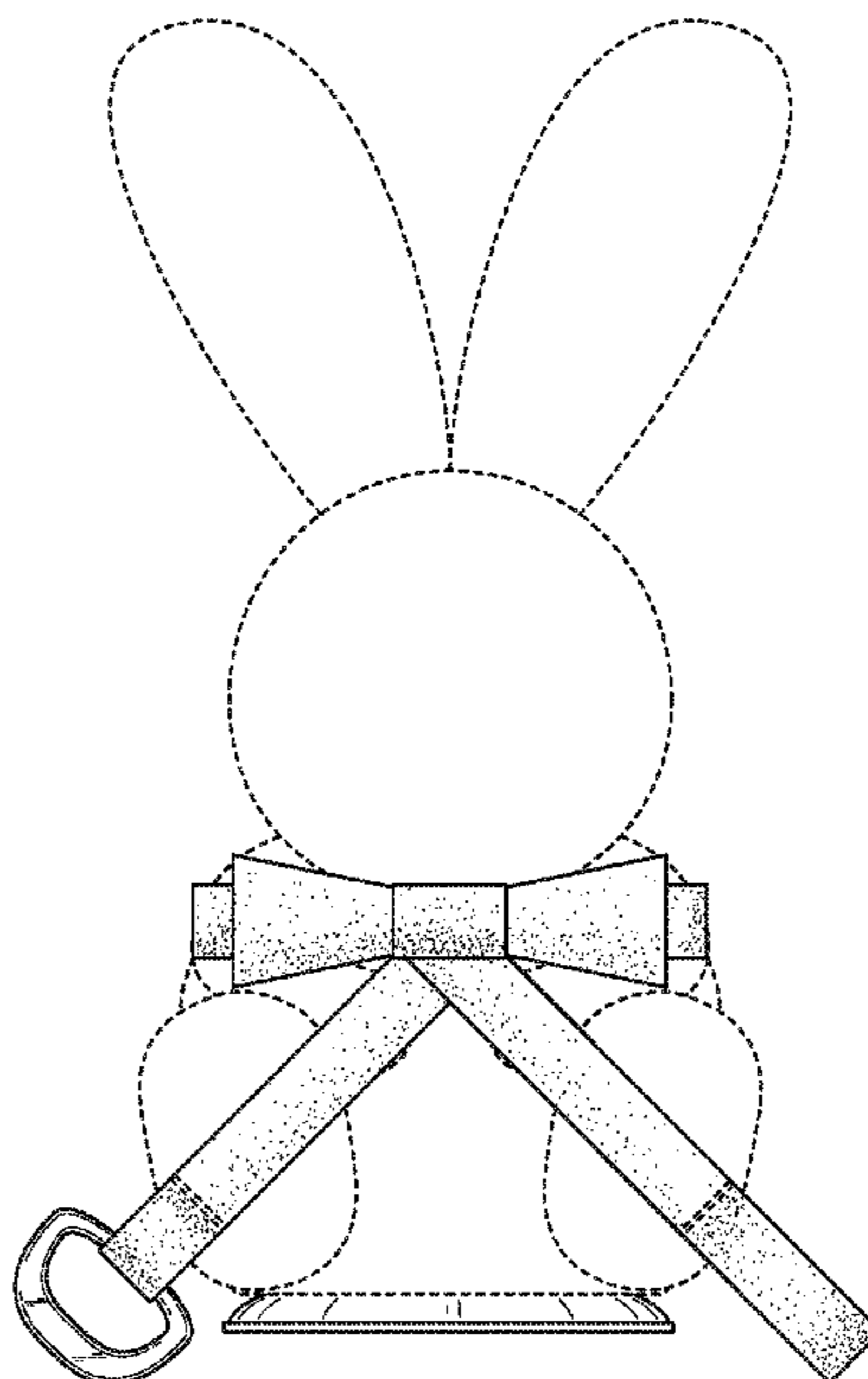
4,781,643	A	11/1988	Holloway et al.	
4,813,641	A *	3/1989	Wilson	248/206.2
D357,404	S *	4/1995	Doyle	D8/373
6,016,926	A	1/2000	Smith, II et al.	
6,089,517	A	7/2000	Johnstone	
7,204,468	B2	4/2006	Kintzele et al.	
7,104,861	B2	9/2006	Kanahele et al.	
7,189,136	B1	3/2007	Ehm	
7,661,636	B1	2/2010	Burke	
D615,749	S *	5/2010	Wagner	D3/214
D623,402	S *	9/2010	Bergkvist et al.	D3/213
2006/0054757	A1	3/2006	Hays	
2008/0187709	A1	8/2008	Hester et al.	
2009/0130944	A1	5/2009	Friedman et al.	

* cited by examiner

Primary Examiner — T. Chase Nelson

Assistant Examiner — Michael Pratt

1 Claim, 8 Drawing Sheets



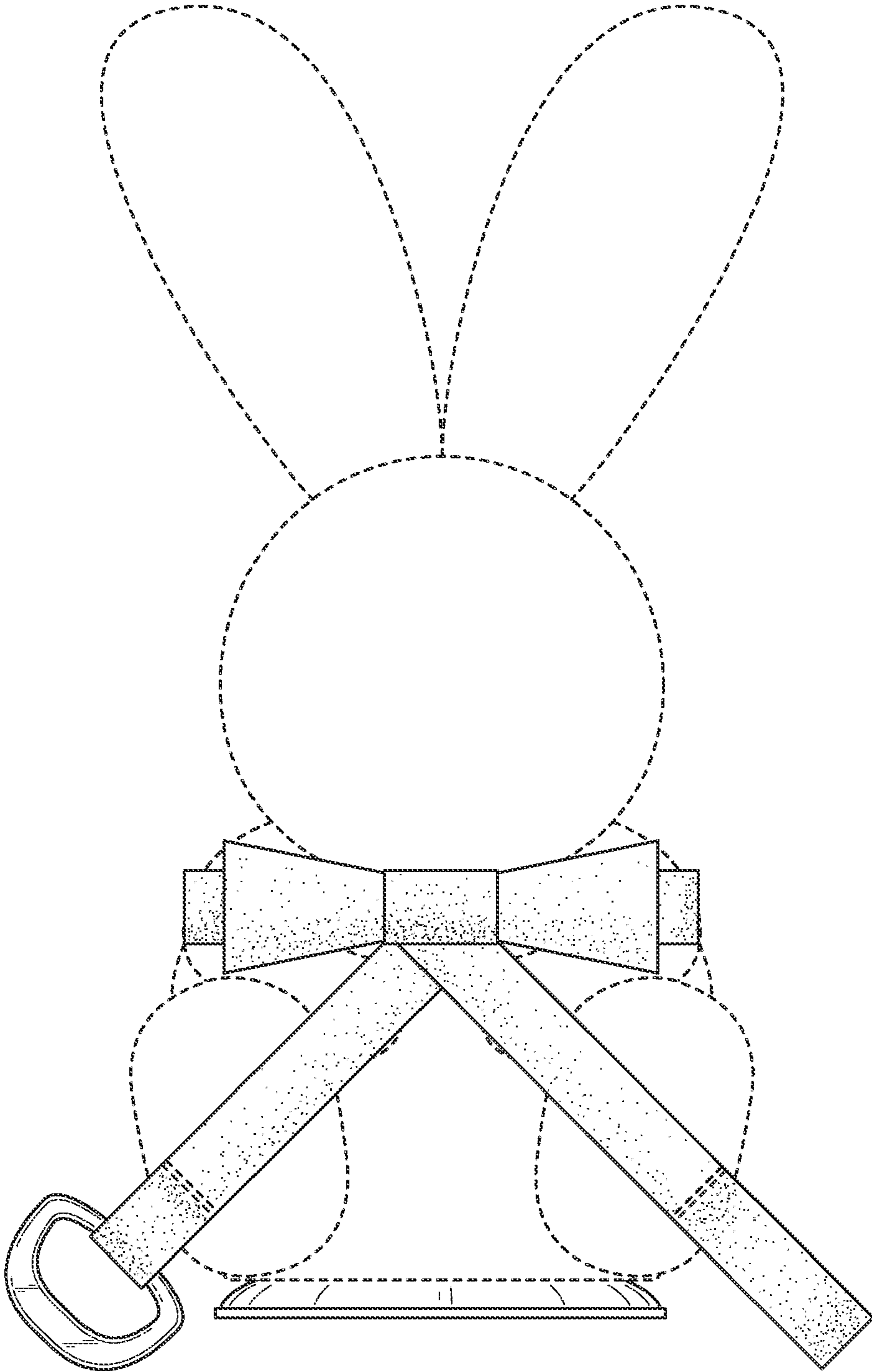


FIG. 1

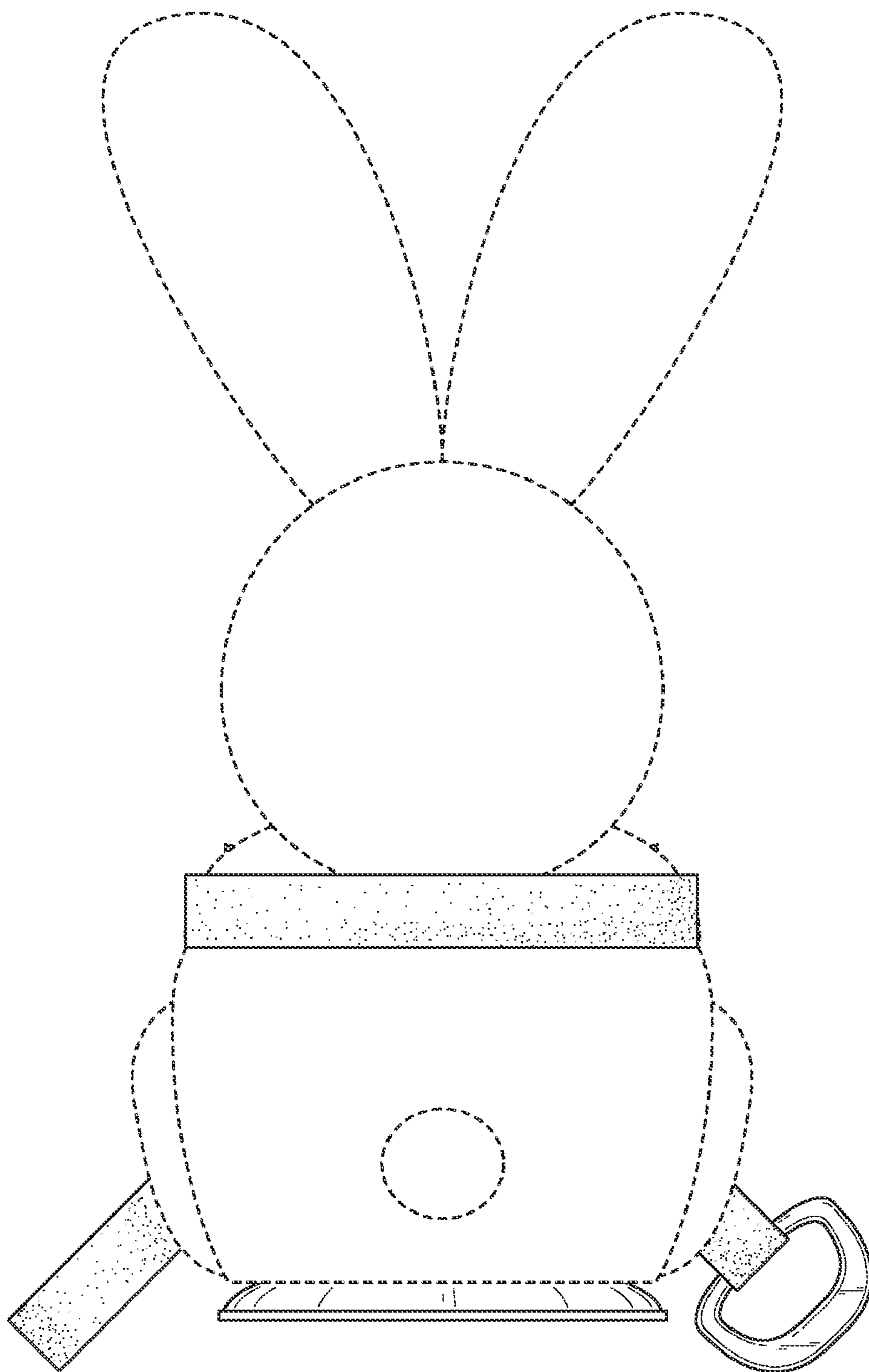


FIG. 2

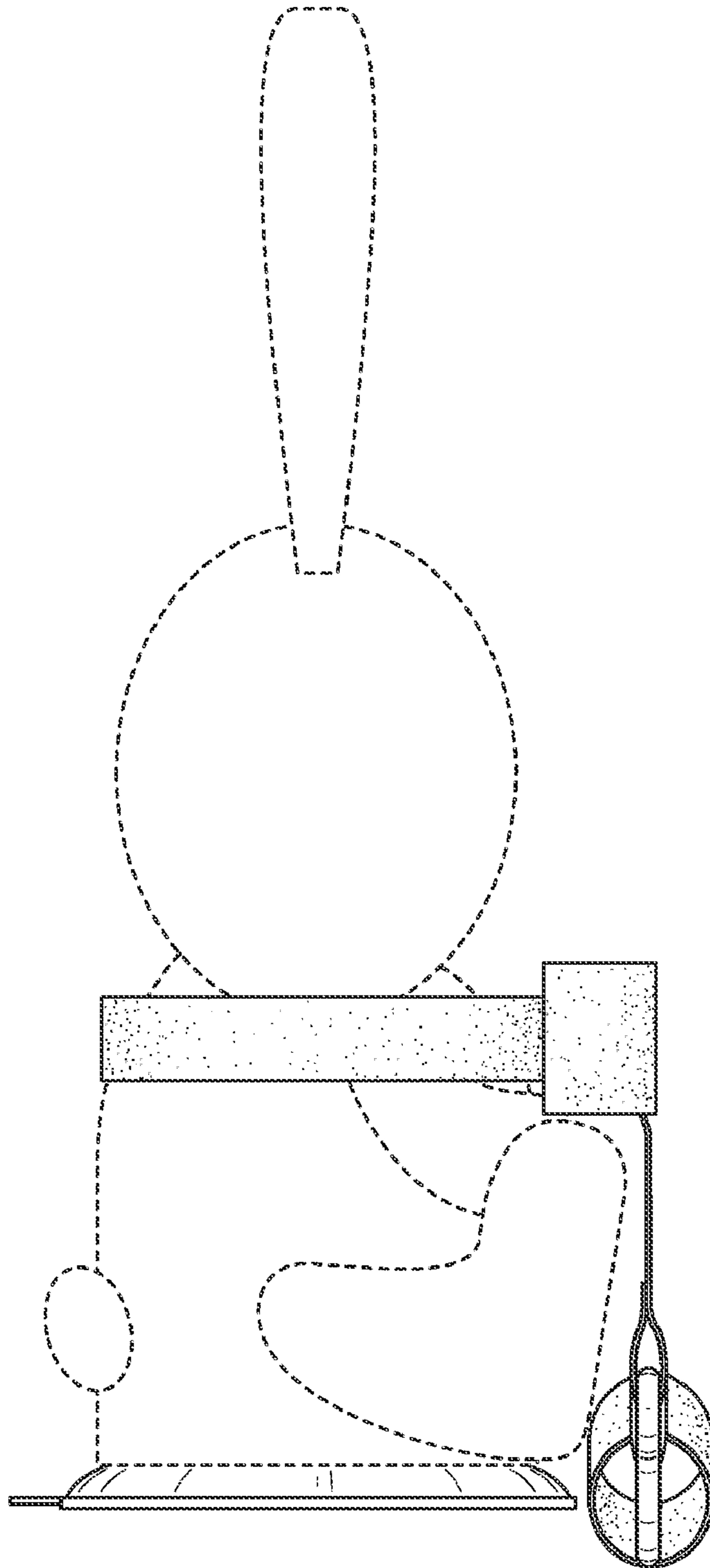


FIG. 3

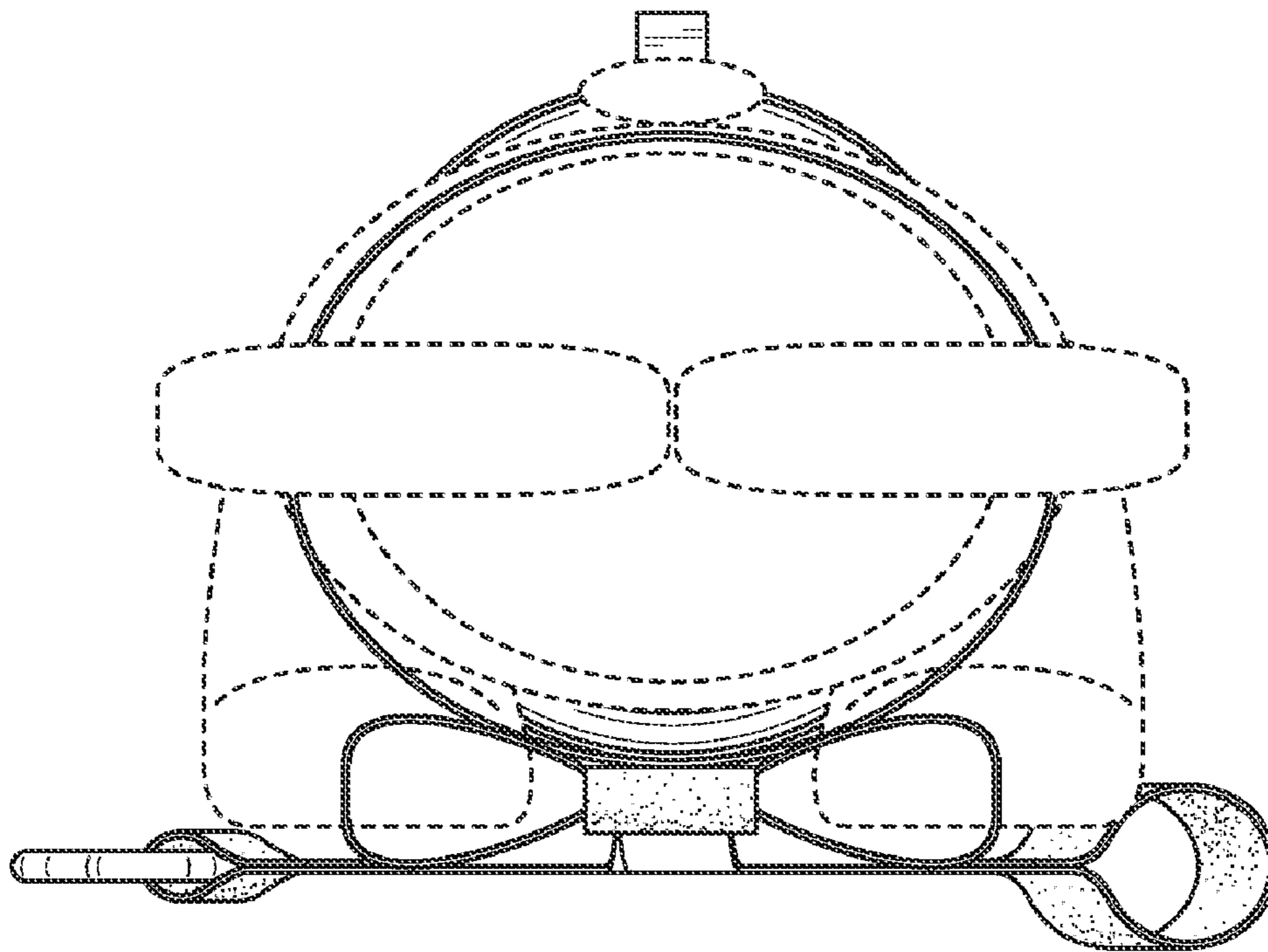


FIG. 4

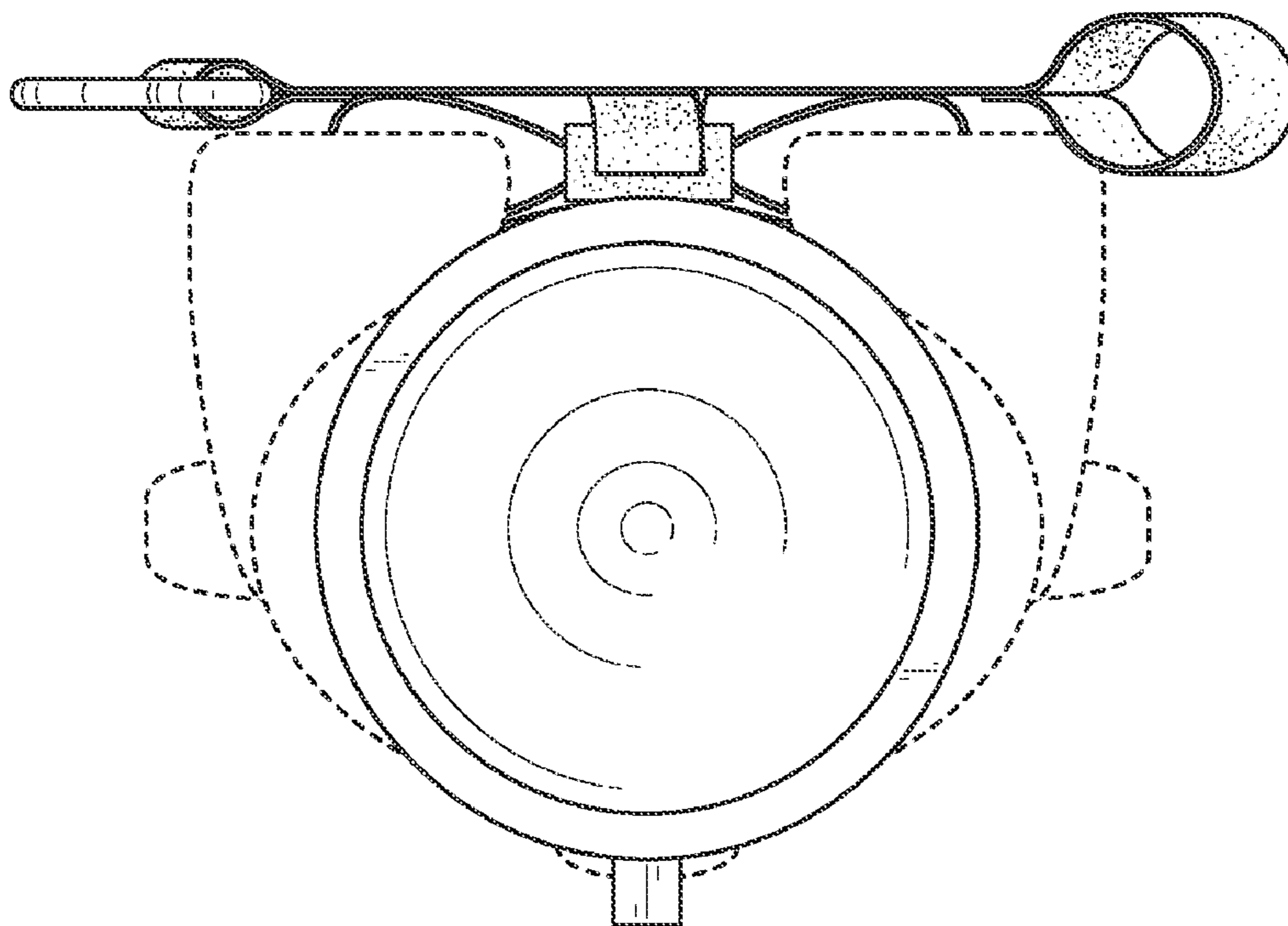


FIG. 5

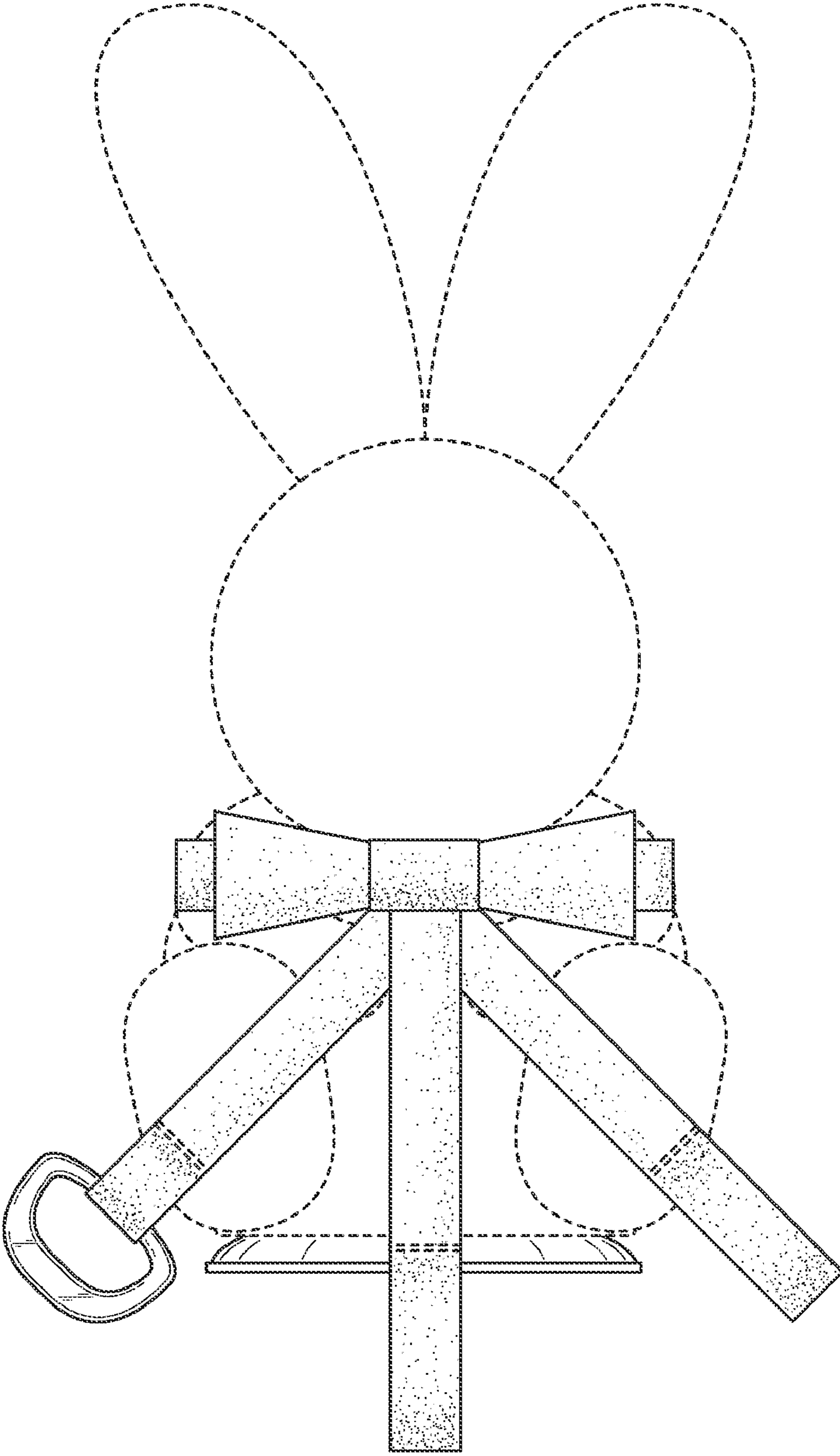


FIG. 6

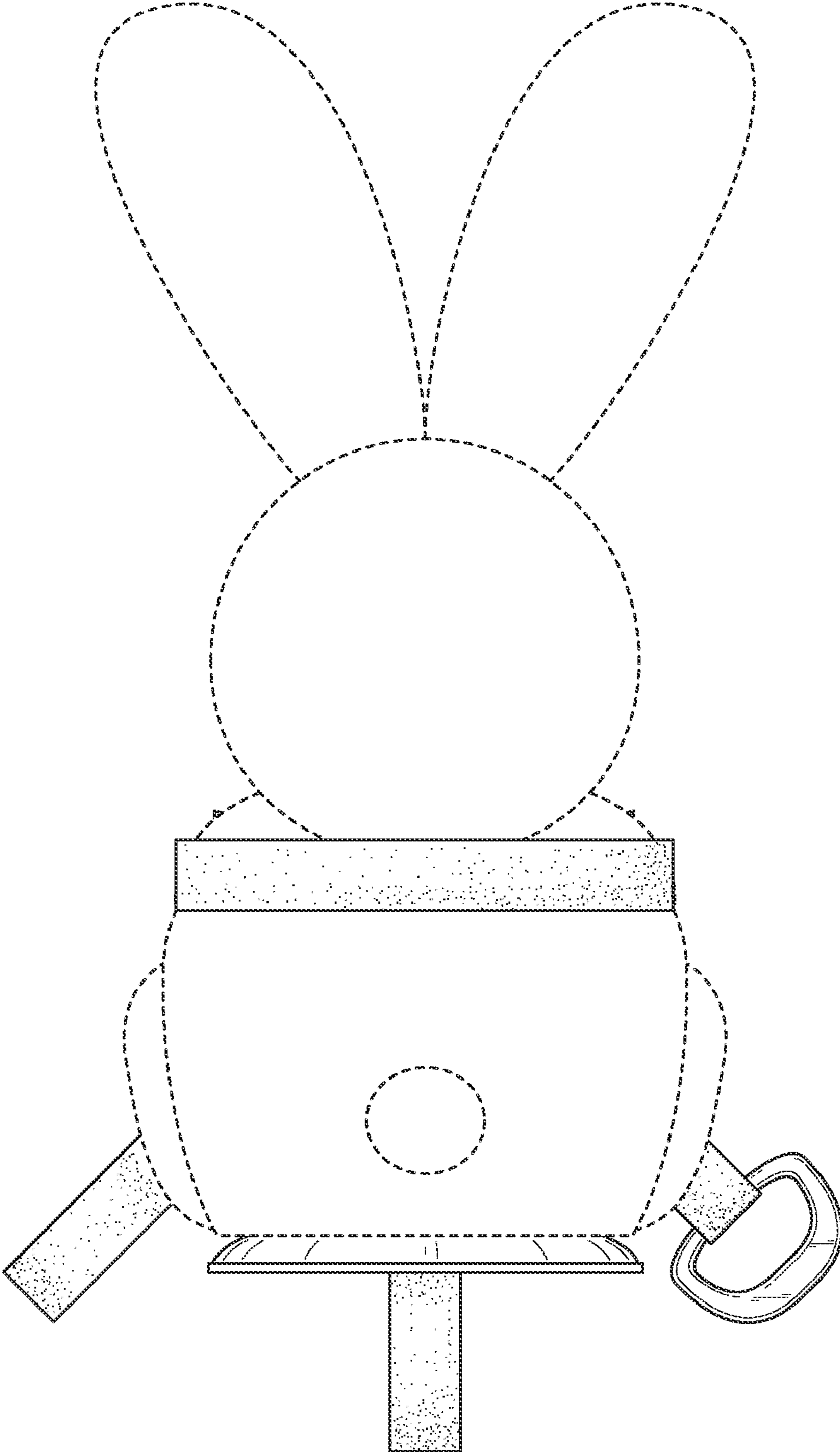


FIG. 7

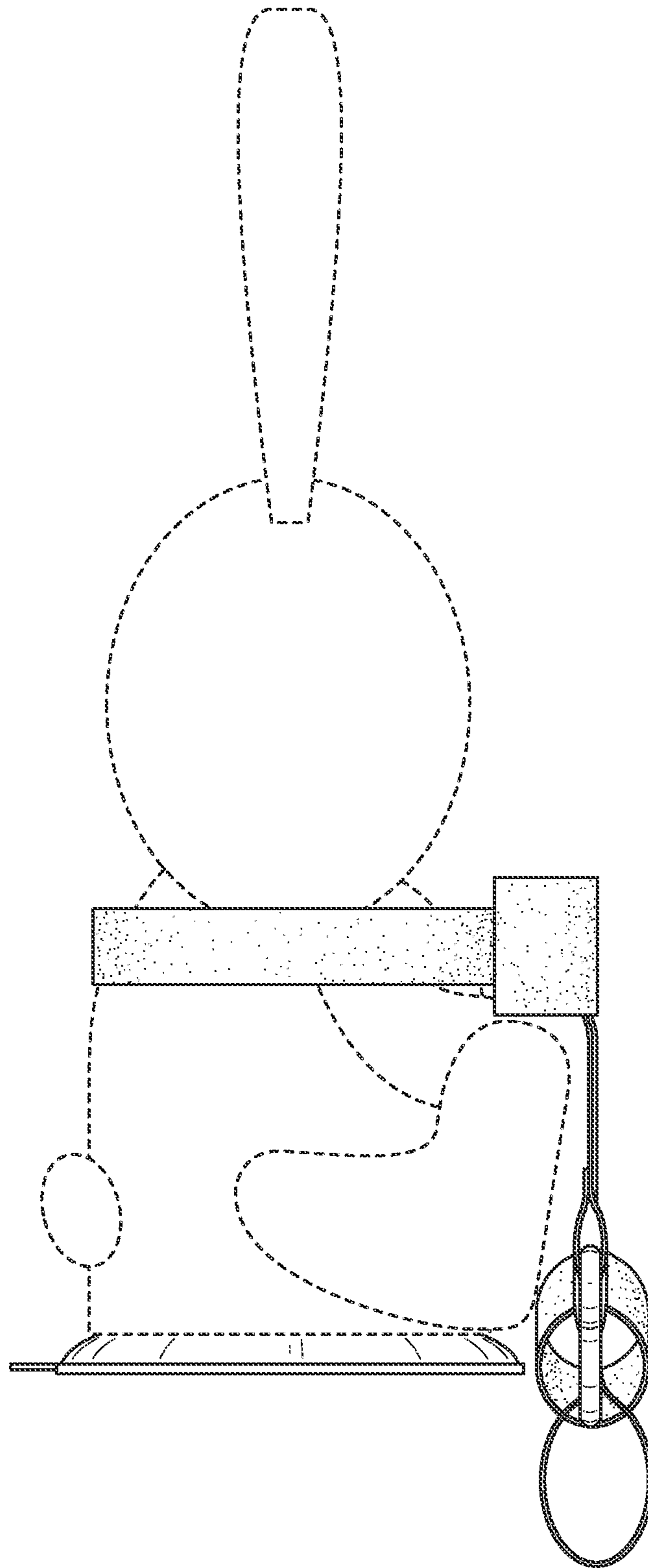


FIG. 8

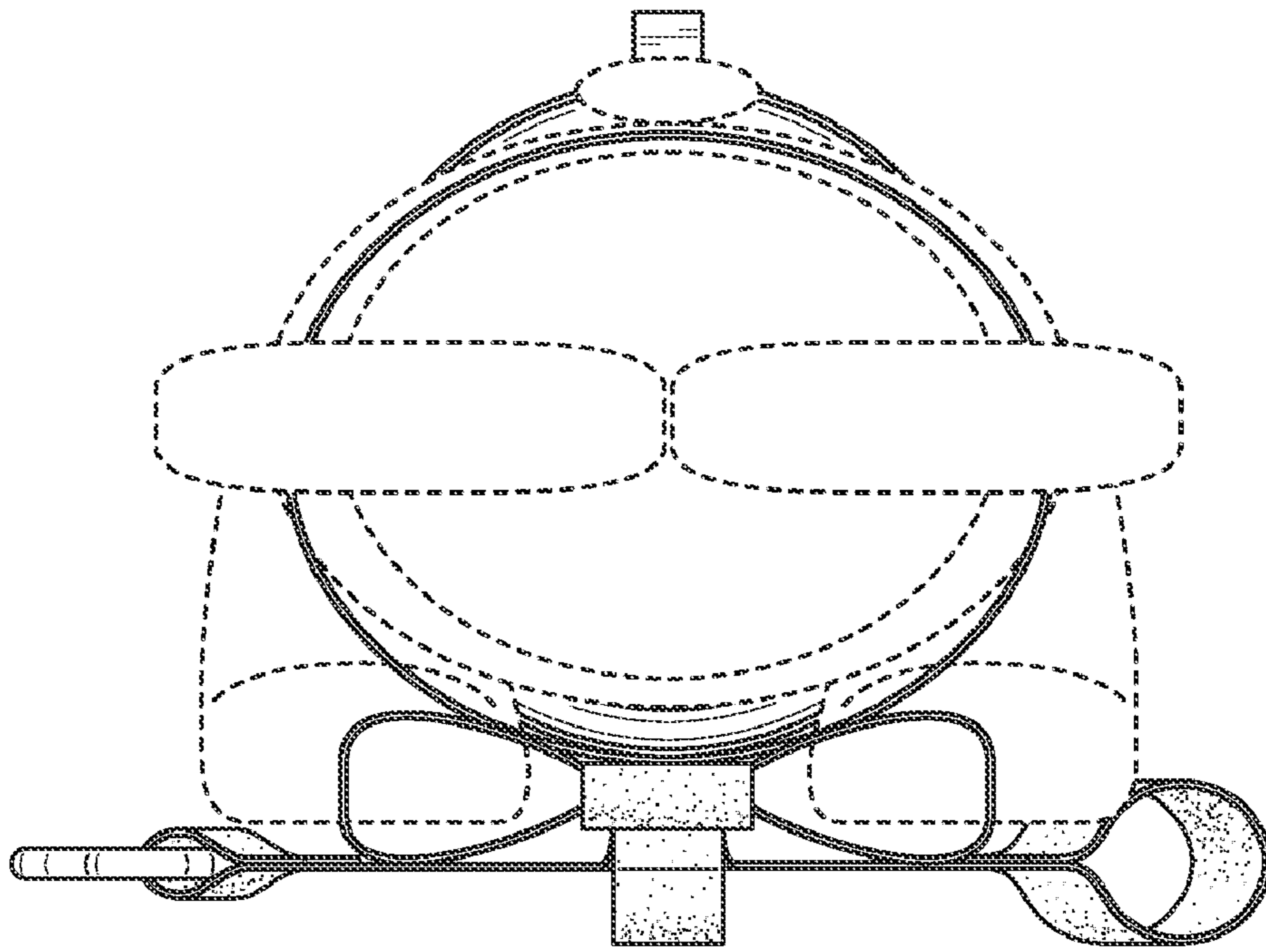


FIG. 9

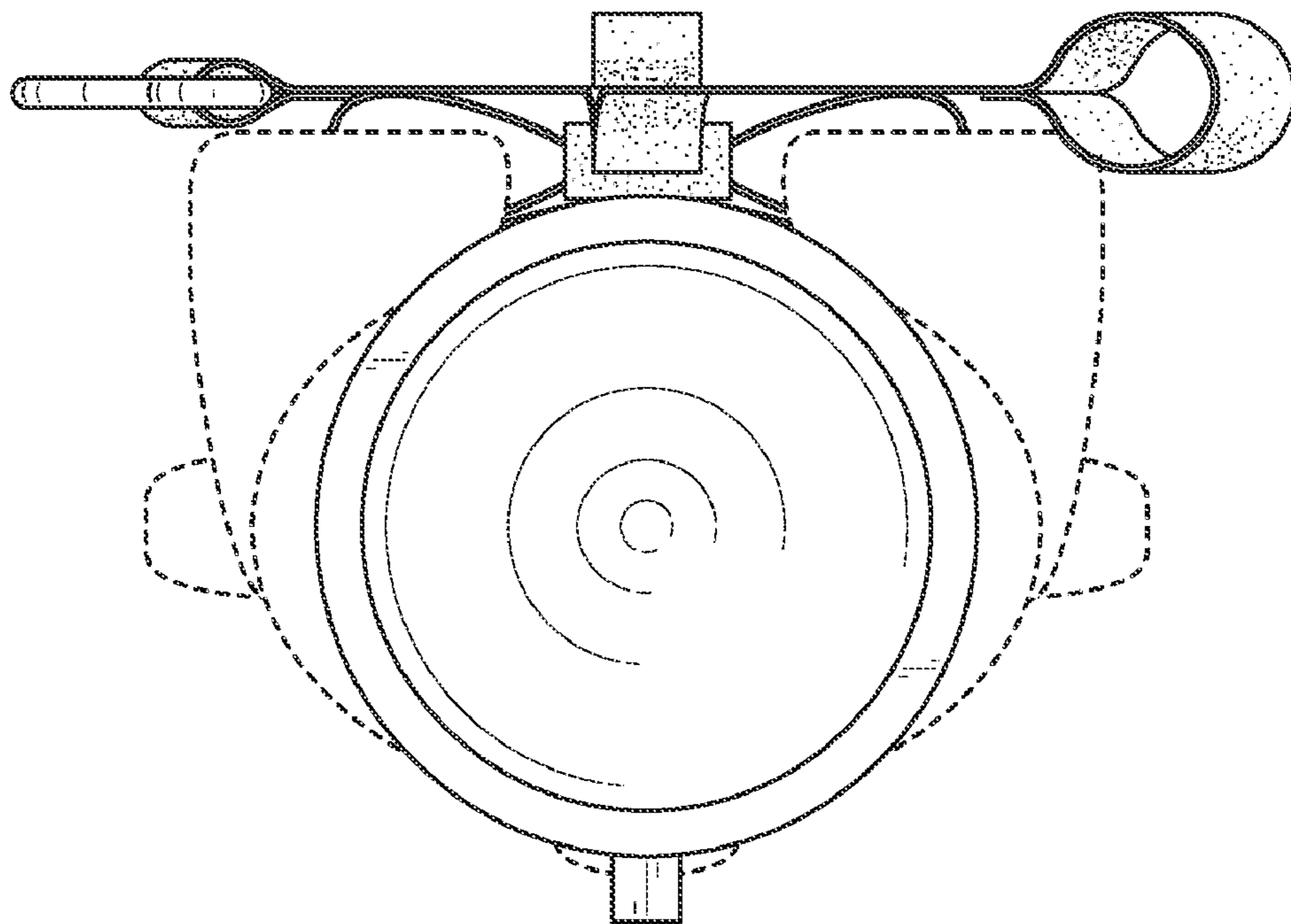


FIG. 10