



US00D641971S

(12) **United States Design Patent**
Shibata

(10) **Patent No.:** **US D641,971 S**
(45) **Date of Patent:** **** Jul. 26, 2011**

(54) **LEAD CASE**

(75) Inventor: **Tomoaki Shibata**, Tokyo (JP)

(73) Assignee: **Pentel Kabushiki Kaisha** (JP)

(**) Term: **14 Years**

(21) Appl. No.: **29/349,204**

(22) Filed: **Mar. 16, 2010**

(30) **Foreign Application Priority Data**

Sep. 24, 2009 (JP) D2009-021970

(51) **LOC (9) Cl.** **03-01**

(52) **U.S. Cl.** **D3/206**

(58) **Field of Classification Search** D3/201,
D3/206, 212, 273, 298, 315; D19/75; D28/76;
132/315; 190/20; 206/102, 214, 236, 443,
206/514

See application file for complete search history.

(56) **References Cited**

U.S. PATENT DOCUMENTS

311,183	A *	1/1885	Foster	206/514
368,471	A *	8/1887	Hargraves	206/102
1,350,118	A *	8/1920	Spelling	206/214
1,982,112	A *	11/1934	Lang	206/380
2,573,620	A *	10/1951	Spitalny	132/315
3,502,089	A *	3/1970	Paradis	132/294
3,648,891	A *	3/1972	Katz et al.	221/248

3,815,734	A *	6/1974	Kruckel	206/443
D301,771	S *	6/1989	Bakic	D28/76
D306,519	S *	3/1990	Nakata	D3/206
4,984,288	A *	1/1991	Petterson	401/86
D361,638	S *	8/1995	Desgrippes	D28/76
D366,346	S *	1/1996	Ascolese	D28/76
D449,073	S *	10/2001	Oka et al.	D19/75
D512,218	S *	12/2005	Tagliati et al.	D3/273
D541,869	S *	5/2007	Nakazawa	D19/75
7,717,259	B2 *	5/2010	Hatton	206/236
2006/0289319	A1 *	12/2006	Lin	206/315.1

* cited by examiner

Primary Examiner — Karen E Eldridge Powers

(74) *Attorney, Agent, or Firm* — Adams & Wilks

(57) **CLAIM**

The ornamental design for a lead case, as shown and described.

DESCRIPTION

FIG. 1 is a perspective view of the front, top and left side of a lead case showing my new design;

FIG. 2 is a front view thereof;

FIG. 3 is a bottom view, a top plan view being a mirror image thereof;

FIG. 4 is a rear view thereof;

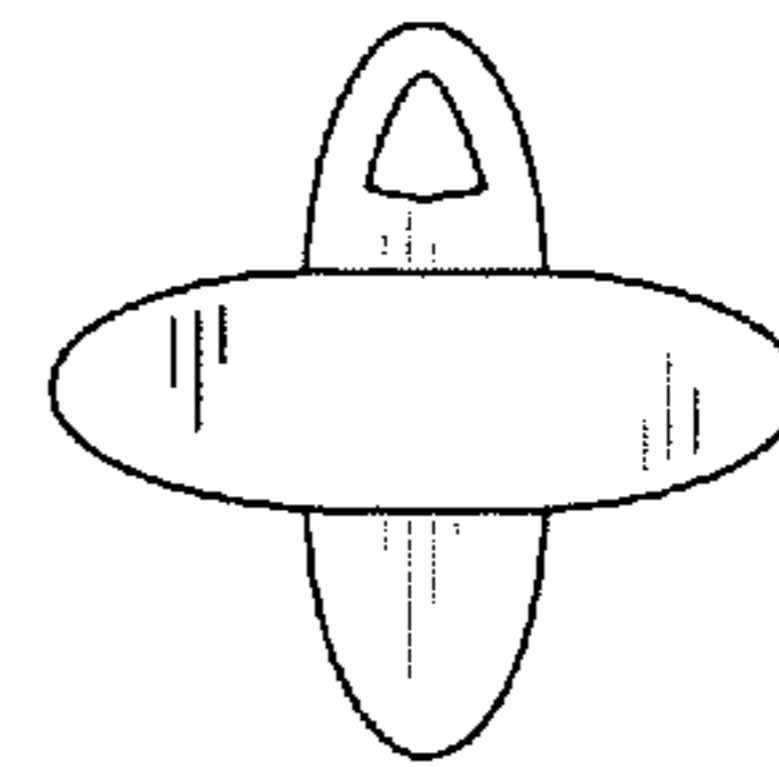
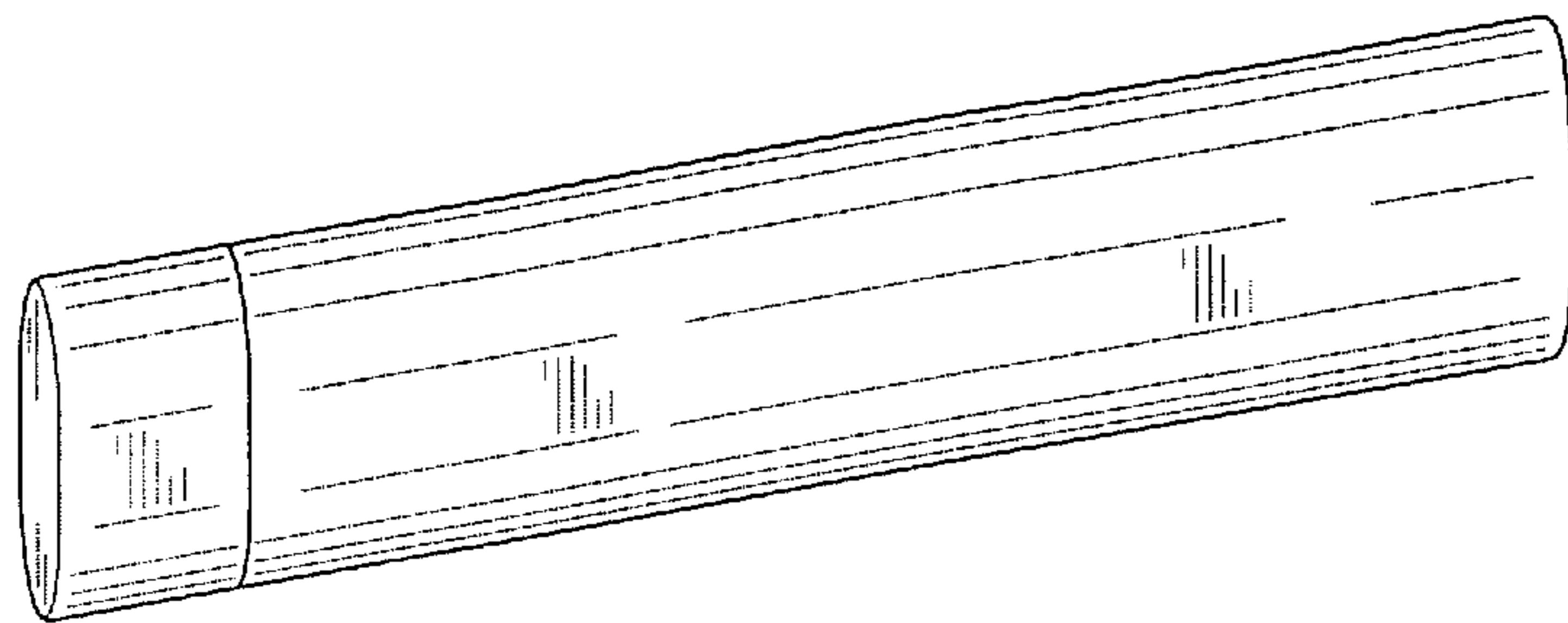
FIG. 5 is a left side view thereof;

FIG. 6 is a right side view thereof;

FIG. 7 is a front view showing the claimed design in use; and,

FIG. 8 is a left side view showing the claimed design in use.

1 Claim, 2 Drawing Sheets



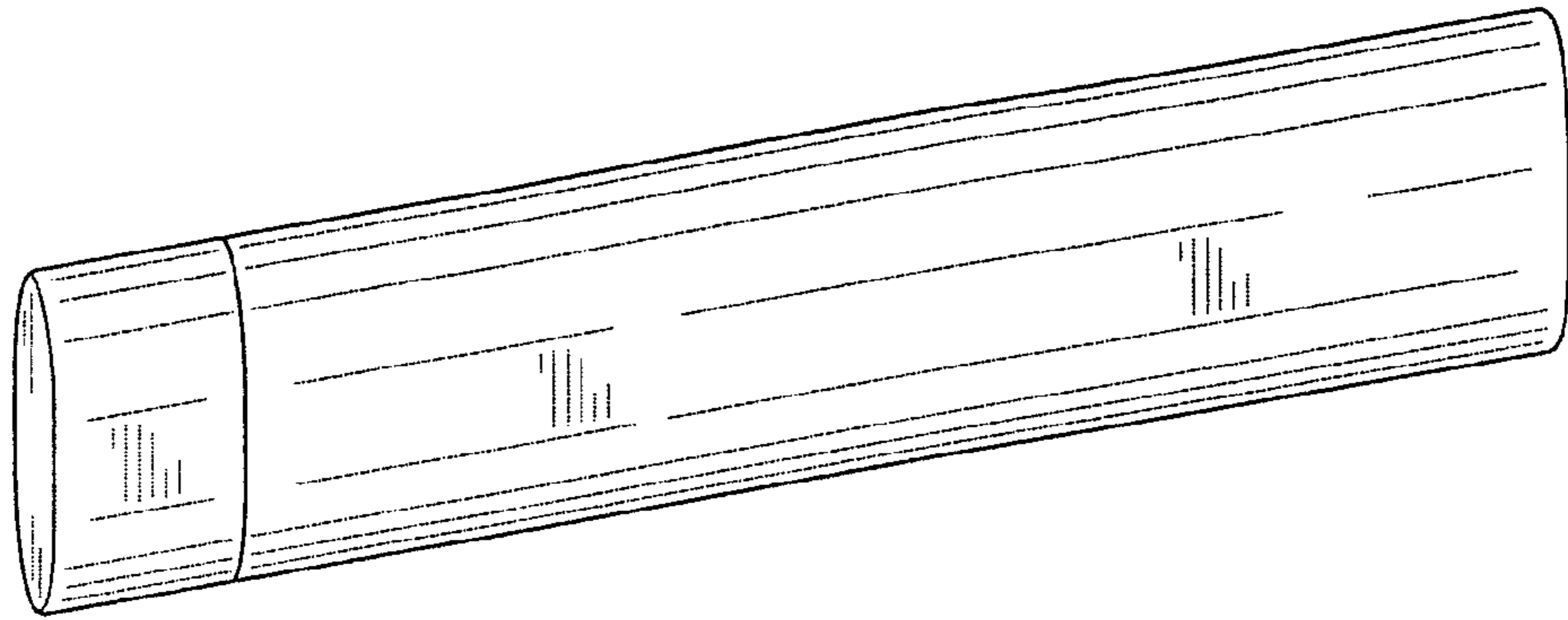


FIG. 1

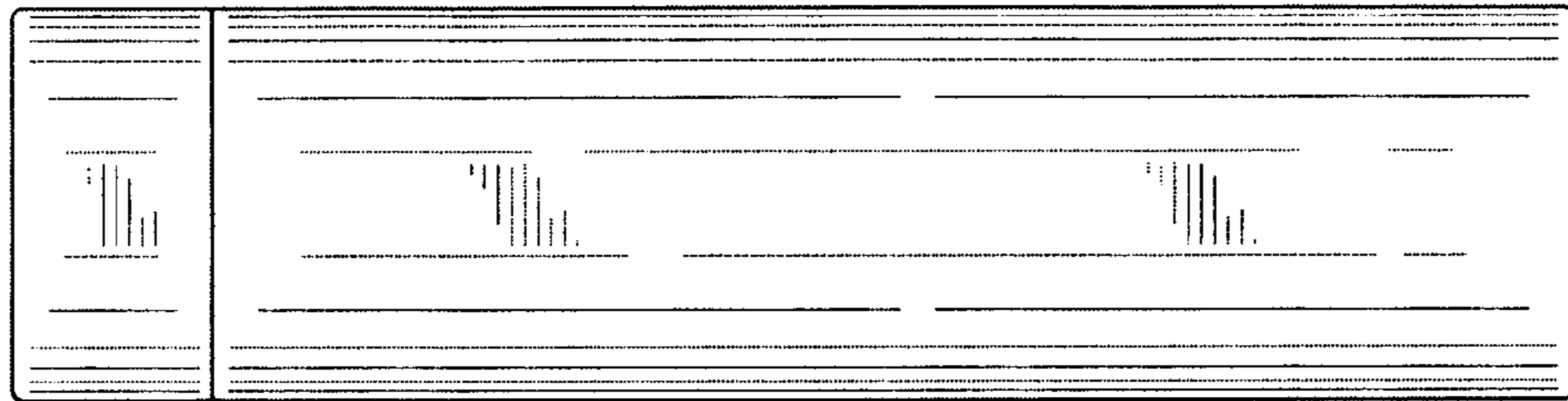


FIG. 2

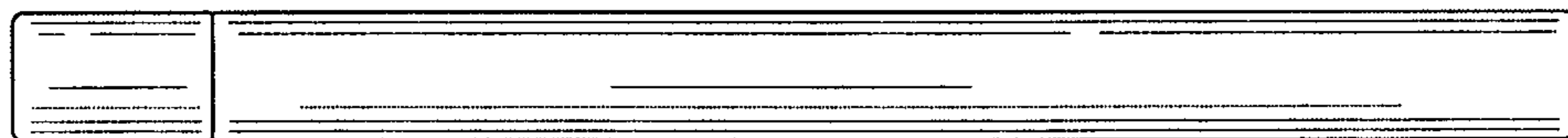


FIG. 3

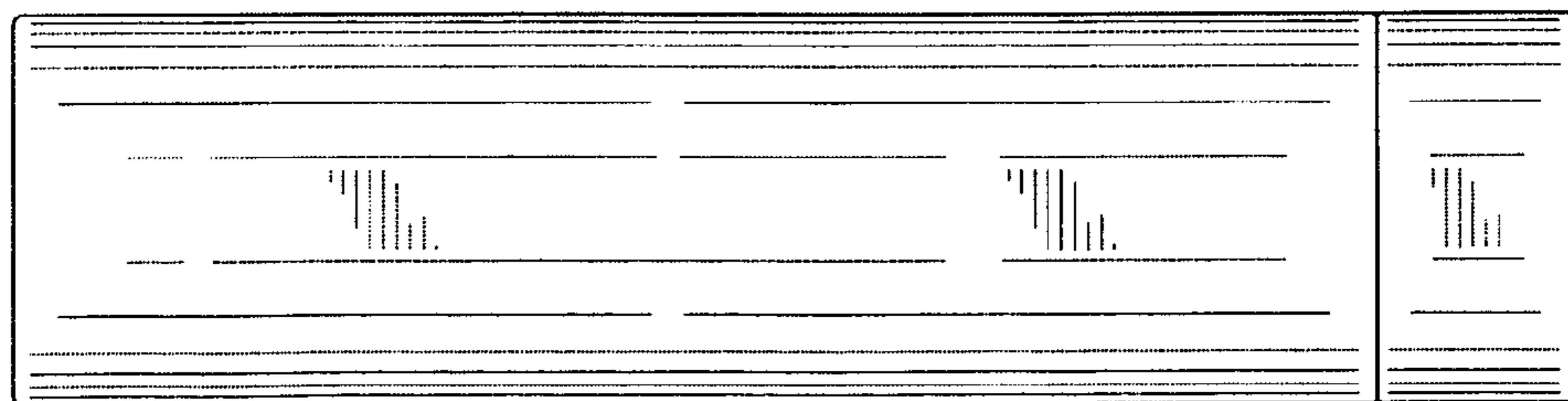


FIG. 4

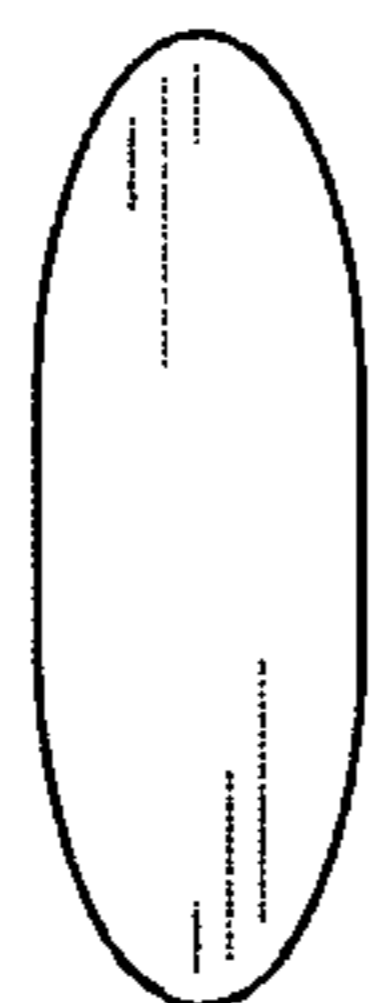


FIG. 5



FIG. 6

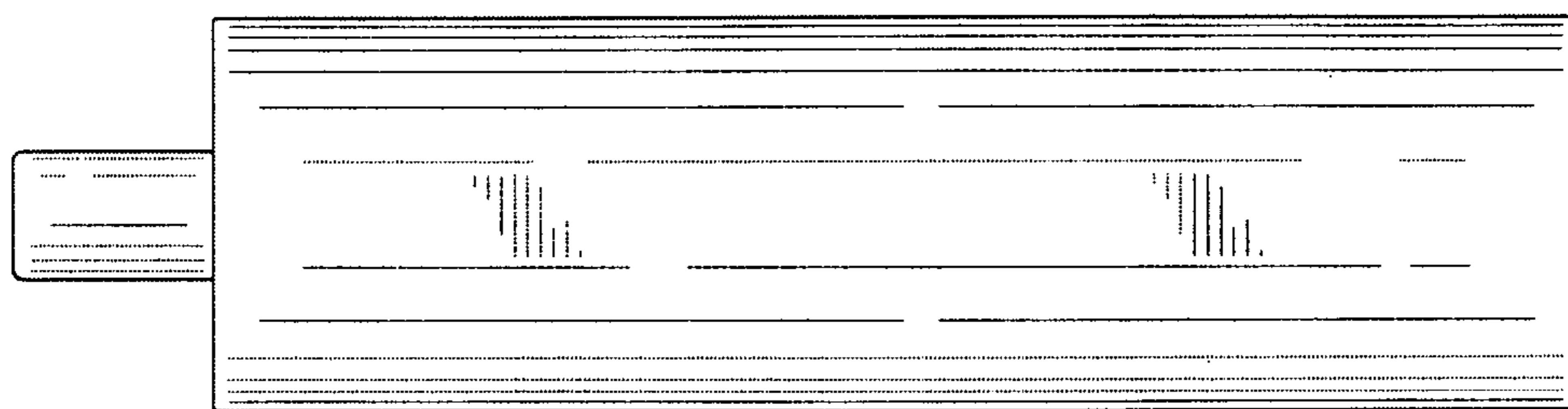


FIG. 7

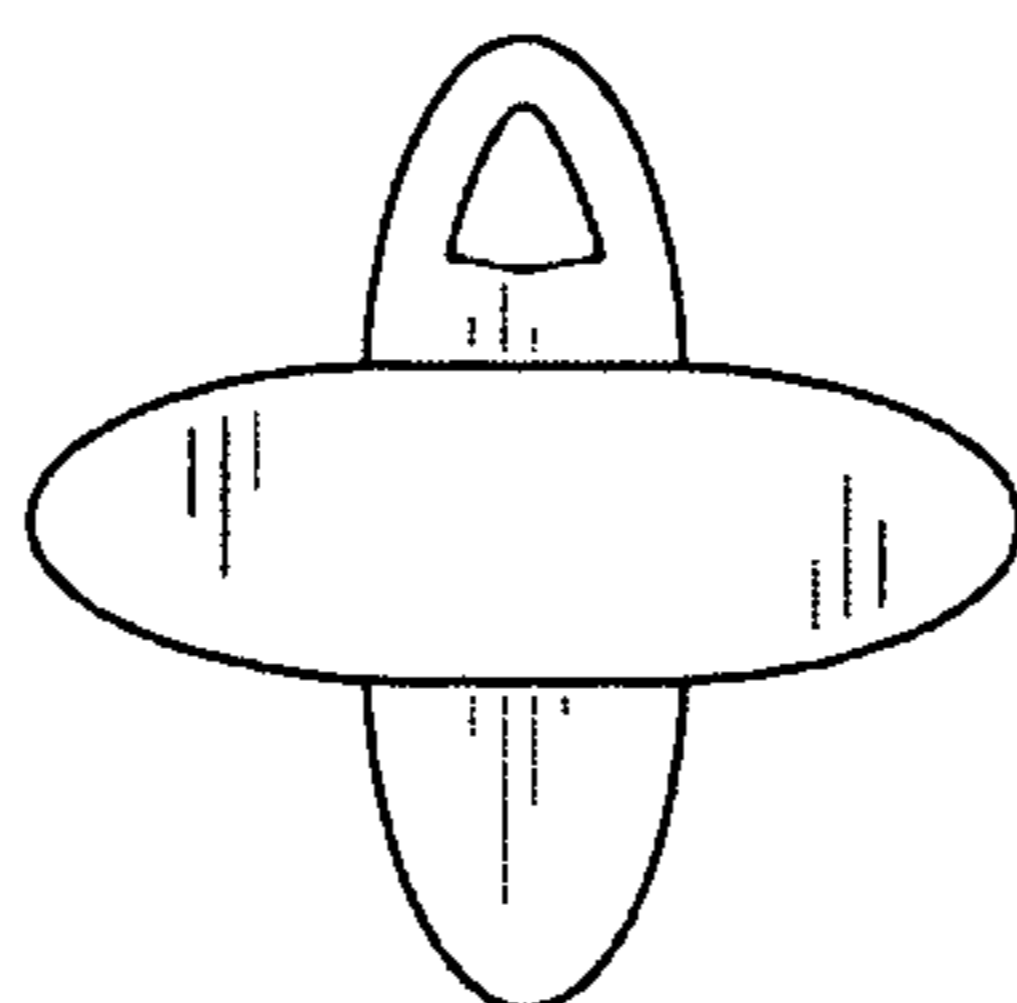


FIG. 8