



US00D641970S

(12) **United States Design Patent**
Xu et al.

(10) **Patent No.:** **US D641,970 S**
(45) **Date of Patent:** **** Jul. 26, 2011**

(54) **STORAGE CASE**
(75) Inventors: **Ye Xu**, Beijing (CN); **Duncan L. Trevor-Wilson**, Frenchs Forest (AU)
(73) Assignee: **Motorola Mobility, Inc.**, Libertyville, IL (US)

D431,458 S * 10/2000 Bried et al. D3/203.2
D501,310 S * 2/2005 Smarte D3/203.2
D547,940 S * 8/2007 Sandy D3/203.2
D582,273 S * 12/2008 Vogel D9/449
D603,698 S * 11/2009 VerWeyst D9/500
D603,703 S * 11/2009 Daggett D9/449
D621,603 S * 8/2010 Traylor D3/203.2

* cited by examiner

(**) Term: **14 Years**

Primary Examiner — Susan Bennett Hattan
Assistant Examiner — Barbara Lohr

(21) Appl. No.: **29/333,163**

(22) Filed: **Mar. 4, 2009**

(51) **LOC (9) Cl.** **03-01**

(52) **U.S. Cl.** **D3/203.2**

(58) **Field of Classification Search** D3/201,
D3/205, 203.1, 203.2, 203.3–203.8, 273;
D9/449, 500, 504, 521; D28/7, 8, 76–82;
132/293, 294, 315; 222/92; 206/530–538,
206/581

See application file for complete search history.

(56) **References Cited**

U.S. PATENT DOCUMENTS

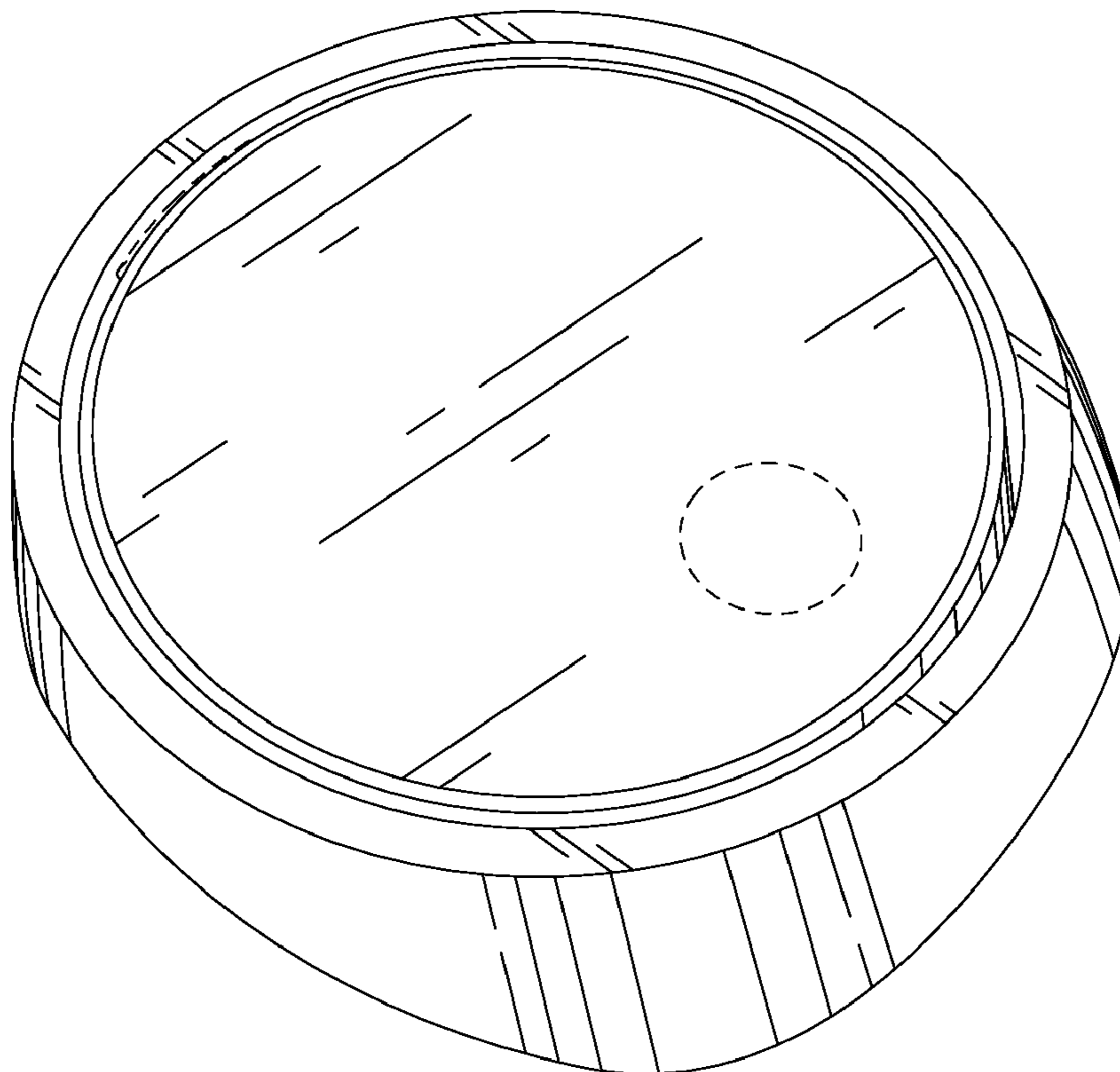
D278,602 S * 4/1985 Rosenstein D9/449
D375,198 S * 11/1996 Tashiro D3/273
D398,444 S * 9/1998 Ricci D3/203.2
D403,470 S * 12/1998 Litton et al. D28/82
D410,388 S * 6/1999 Fisher et al. D9/449

(57) **CLAIM**
The ornamental design for a storage case, as shown and described.

DESCRIPTION

FIG. 1 is a perspective view of an ornamental design for a storage case;
FIG. 2 is a first side view thereof;
FIG. 3 is a second side view thereof;
FIG. 4 is a top view thereof;
FIG. 5 is a bottom side view thereof;
FIG. 6 is a front view thereof; and,
FIG. 7 is a rear view thereof.
The broken line in FIGS. 1-7 showing environmental structures is for illustrative purposes and forms no part of the claim design.

1 Claim, 4 Drawing Sheets



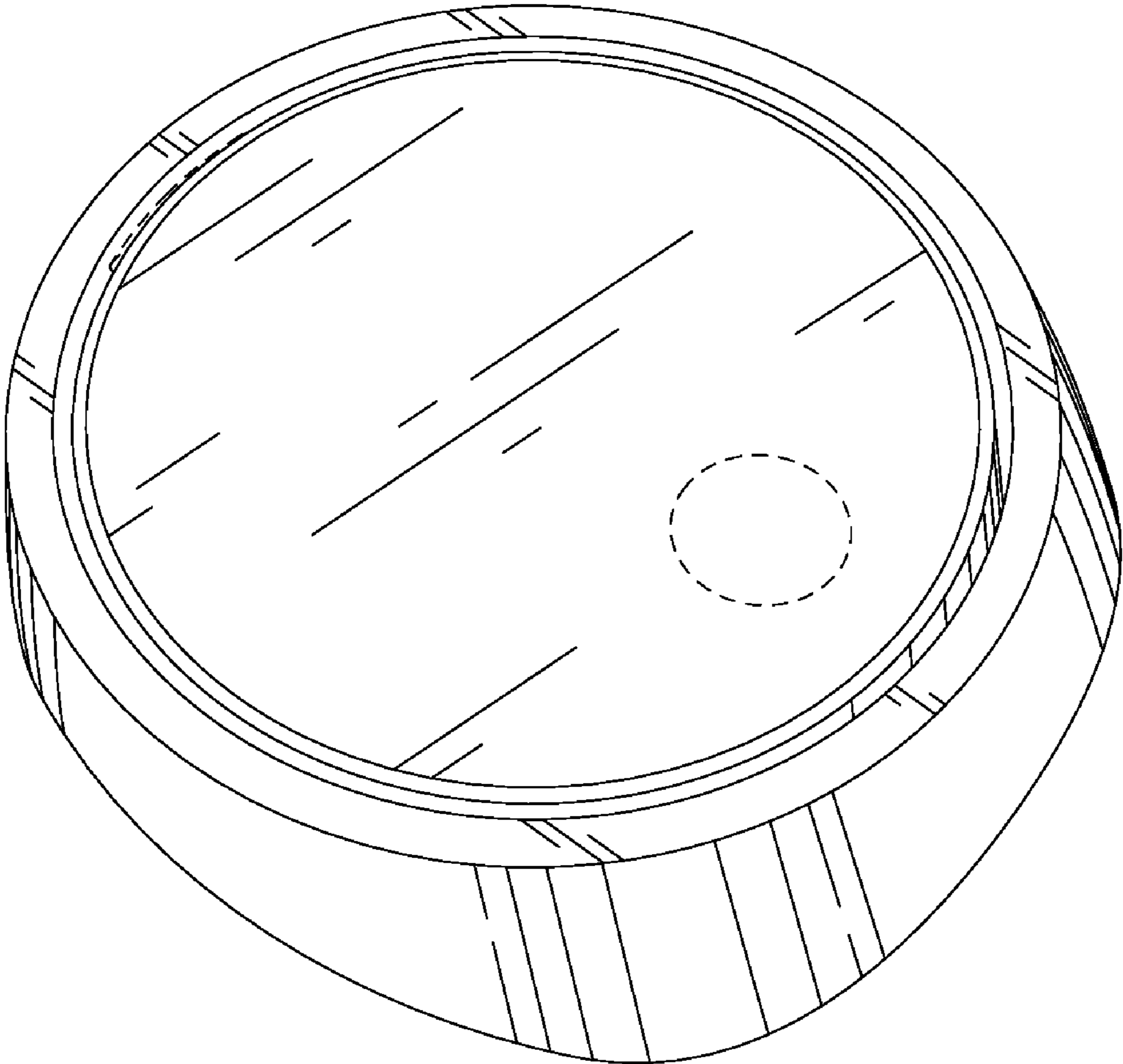


FIG. 1

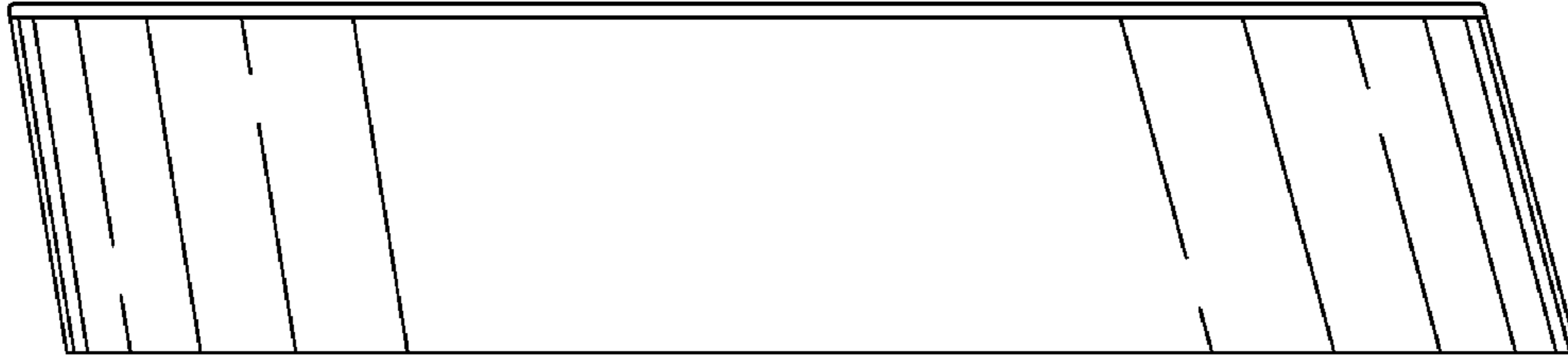


FIG. 2



FIG. 3

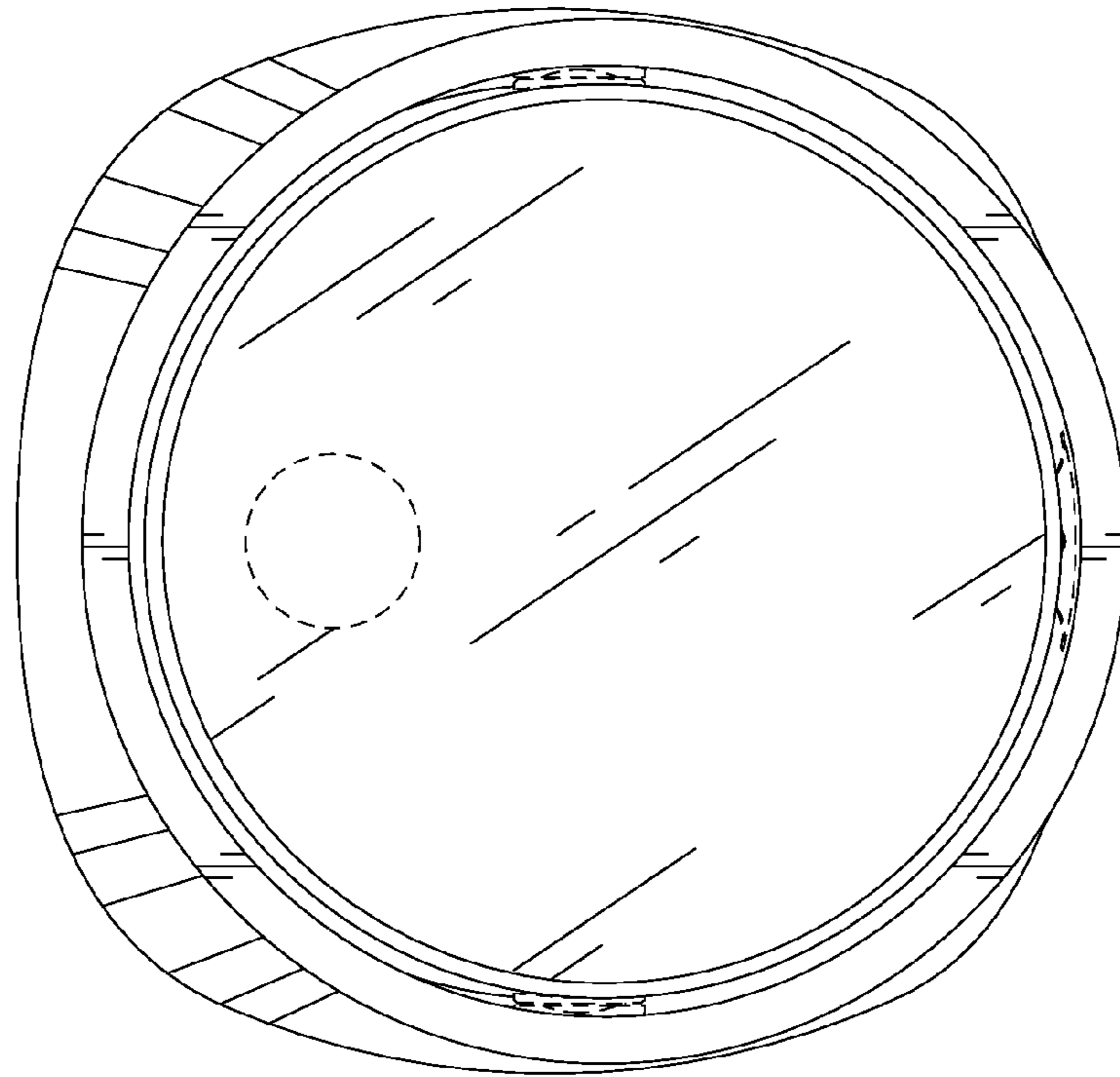


FIG. 4

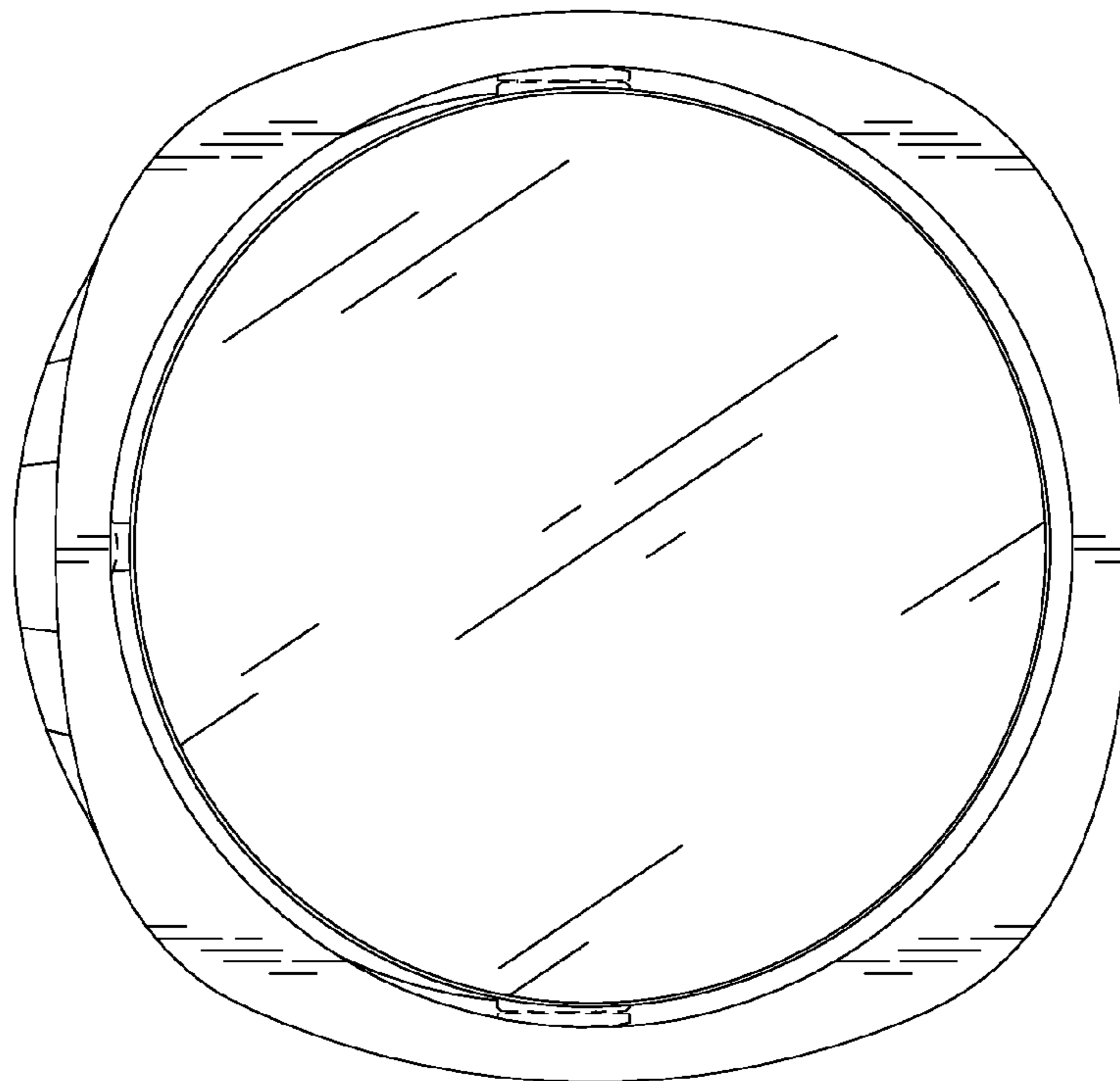


FIG. 5

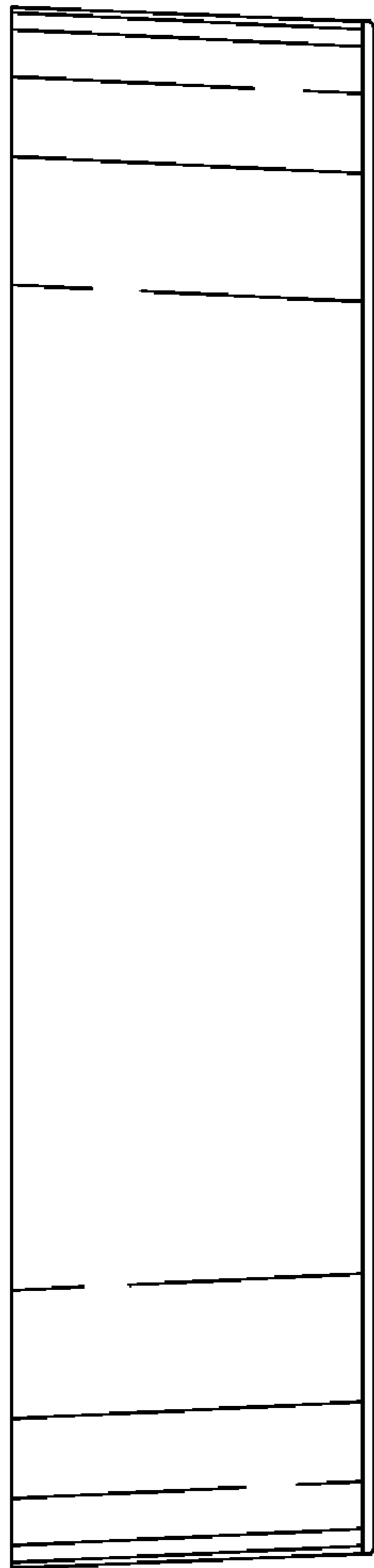


FIG. 6

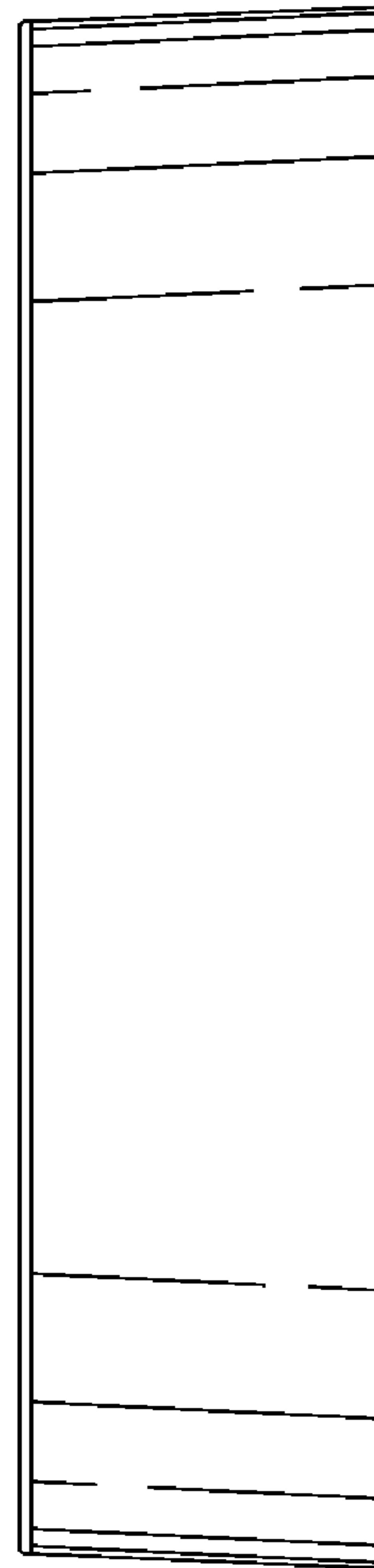


FIG. 7