



US00D641956S

(12) **United States Design Patent**  
**Cornell**

(10) **Patent No.:** **US D641,956 S**

(45) **Date of Patent:** **\*\* Jul. 26, 2011**

(54) **ONE-PIECE UNDERGARMENT**

(76) Inventor: **Nanci M. Cornell**, Tacoma, WA (US)

(\*\*) Term: **14 Years**

(21) Appl. No.: **29/381,629**

(22) Filed: **Dec. 21, 2010**

(51) **LOC (9) Cl.** ..... **02-01**

(52) **U.S. Cl.** ..... **D2/714**

(58) **Field of Classification Search** ..... D2/700,  
D2/701, 702, 703, 705, 712, 713, 714, 717,  
D2/728, 731, 732, 738, 742, 743, 744, 747,  
D2/860; D21/662; 2/2.15, 2.16, 2.17, 54,  
2/67, 69, 78.1, 78.2, 78.3, 78.4, 82, 113,  
2/114, 311, 400, 402, 403, 404, 406, 407,  
2/455

See application file for complete search history.

(56) **References Cited**

U.S. PATENT DOCUMENTS

1,091,504	A *	3/1914	Goodenow	.....	2/78.3
1,105,701	A *	8/1914	Robischon	.....	2/78.1
1,460,237	A *	6/1923	Freeman	.....	2/82
1,602,454	A *	10/1926	Riddell	.....	2/23
1,679,206	A *	7/1928	Crossingham	.....	2/113
3,710,395	A *	1/1973	Spano et al.	.....	2/78.1
3,789,429	A	2/1974	Garcia		
4,383,335	A	5/1983	Slocum		
5,191,658	A *	3/1993	Meistrell	.....	2/2.17
D359,837	S *	7/1995	Brannon	.....	D2/743
5,603,123	A	2/1997	Chupa		
5,968,002	A *	10/1999	Morrisseau	.....	602/62
D418,276	S *	1/2000	Bengtsson	.....	D2/732
D425,584	S *	5/2000	Hines	.....	D21/662
D467,704	S *	12/2002	Barrington et al.	.....	D2/731

6,526,584	B1 *	3/2003	Hunter	.....	2/2.16
D481,193	S *	10/2003	Chen	.....	D2/731
6,782,559	B2 *	8/2004	Regan	.....	2/455
7,246,381	B2 *	7/2007	Green	.....	2/69
7,454,798	B2 *	11/2008	Feodoroff	.....	2/114
D608,981	S *	2/2010	Cowan	.....	D2/731
D621,130	S *	8/2010	Brown et al.	.....	D2/732
D625,899	S *	10/2010	Reis	.....	D2/717
2002/0032921	A1	3/2002	Thompson et al.		
2003/0126668	A1	7/2003	Scroggins		
2008/0083049	A1 *	4/2008	McLeod	.....	2/83
2009/0007309	A1 *	1/2009	Yamashita et al.	.....	2/69
2009/0113596	A1 *	5/2009	Young	.....	2/69
2009/0210987	A1 *	8/2009	Demetropoulos	.....	2/2.15
2010/0024087	A1 *	2/2010	Taylor et al.	.....	2/2.17
2011/0035858	A1 *	2/2011	Mathieson	.....	2/69

\* cited by examiner

*Primary Examiner* — Karen E Eldridge Powers

(74) *Attorney, Agent, or Firm* — Crossley Patent Law; Mark A. Crossley

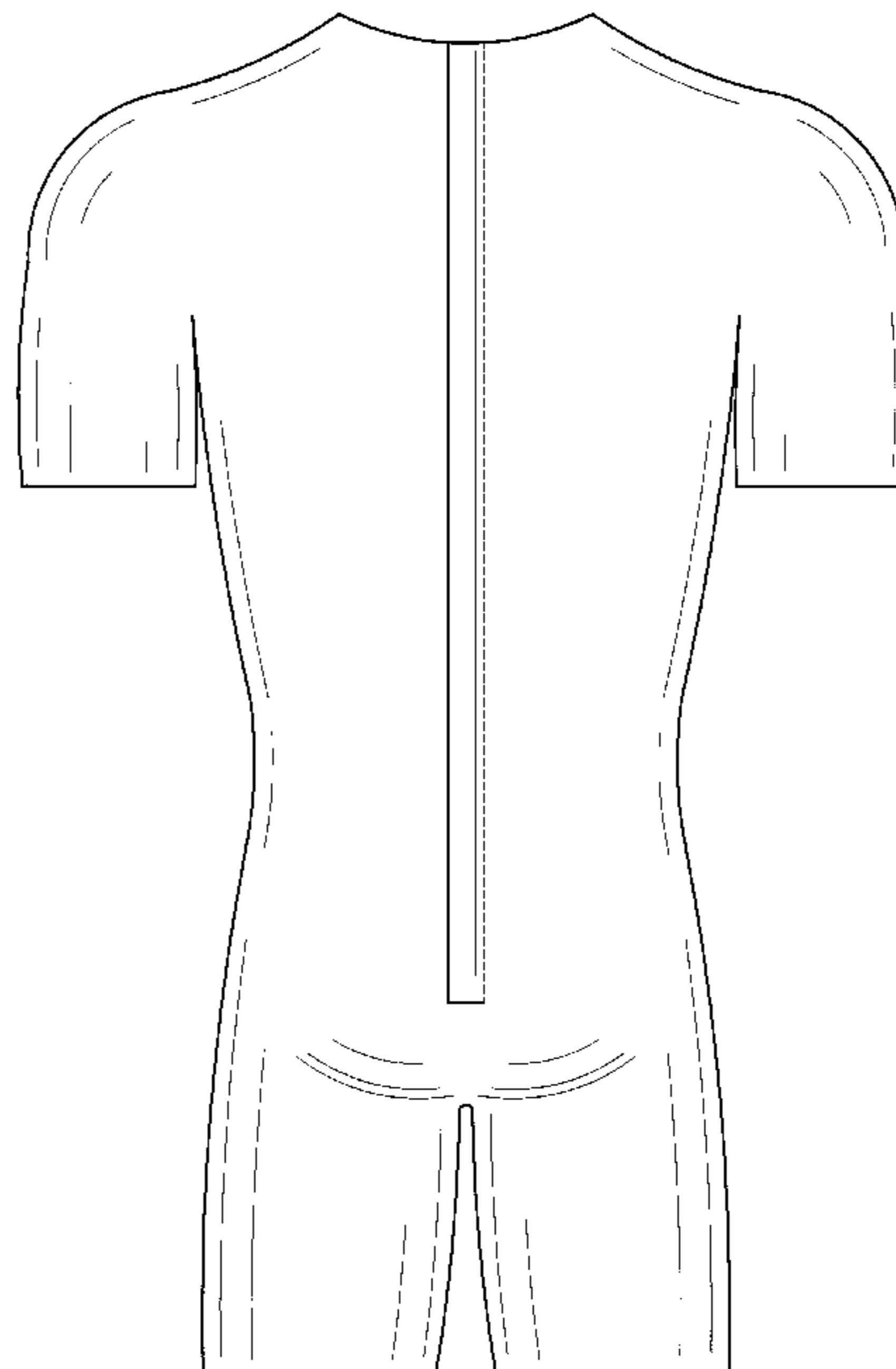
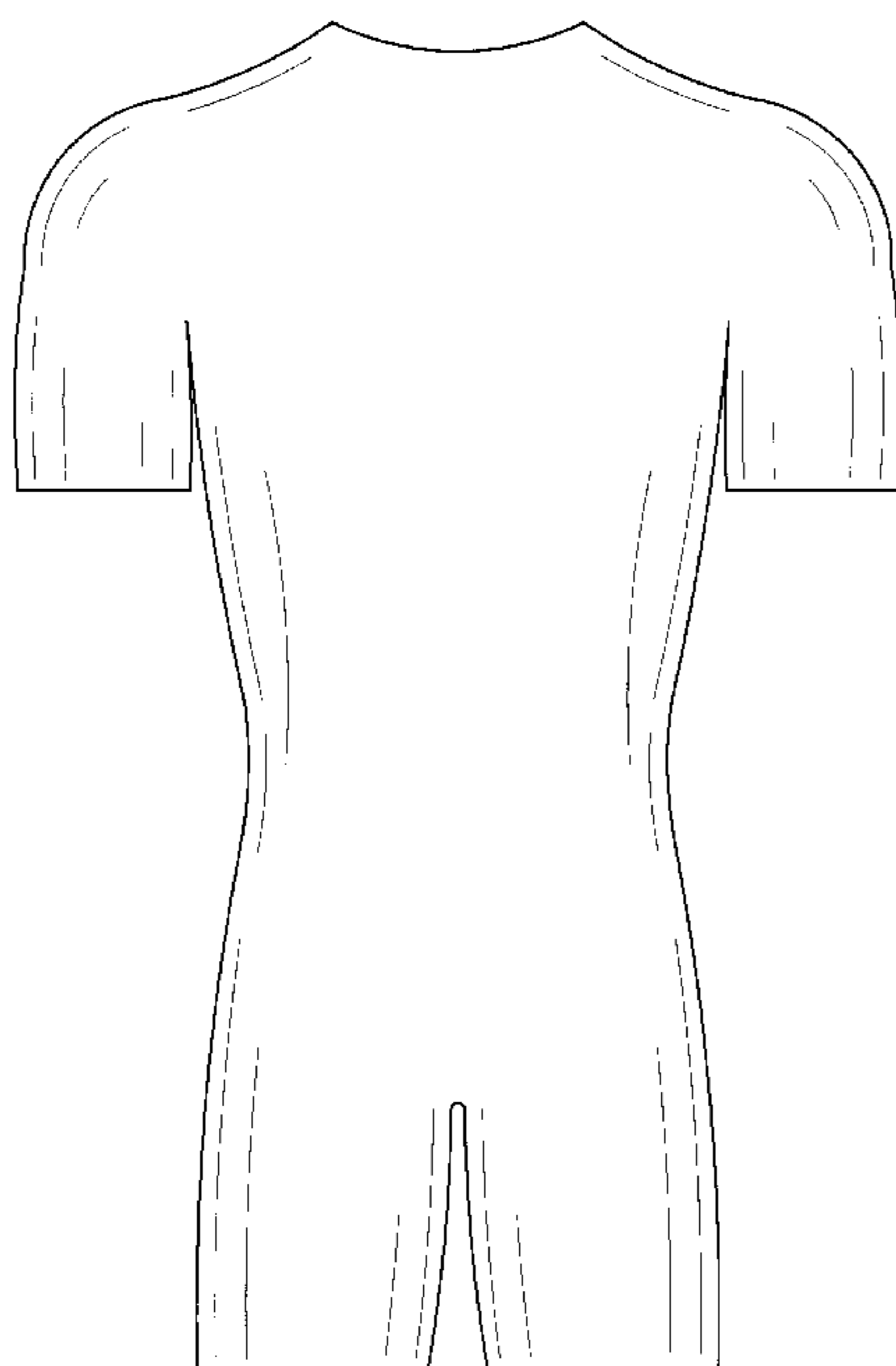
(57) **CLAIM**

The ornamental design for a one-piece undergarment, as shown and described.

**DESCRIPTION**

FIG. 1 is a front elevation view of a one-piece undergarment showing my new design;  
FIG. 2 is a rear elevation view thereof;  
FIG. 3 is a right elevation view thereof;  
FIG. 4 is a left elevation view thereof;  
FIG. 5 is a top plan view thereof; and,  
FIG. 6 is a bottom plan view thereof.  
The broken line shown in the drawings is stitching and forms a part of the claimed design.

**1 Claim, 4 Drawing Sheets**



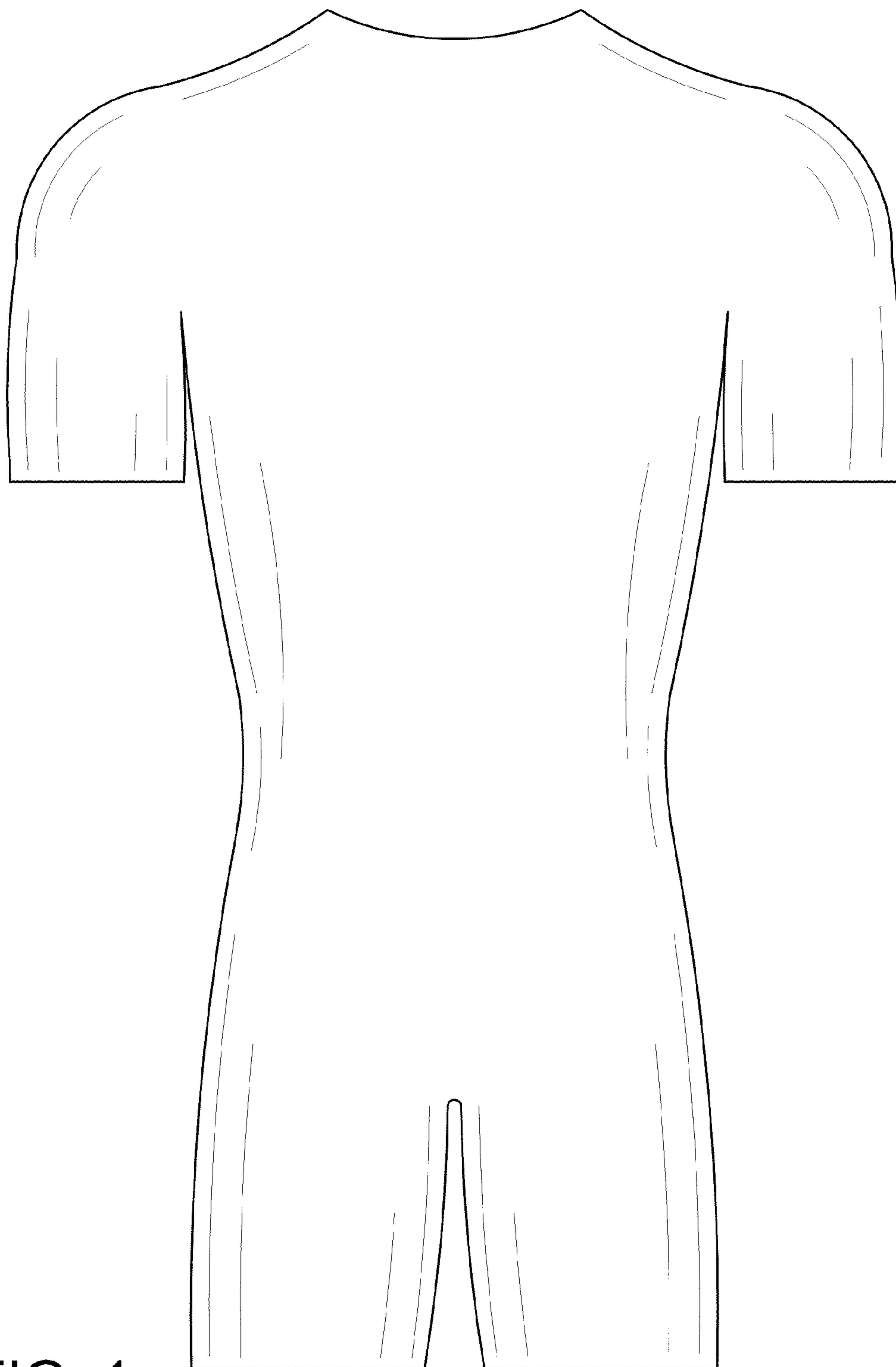


FIG. 1

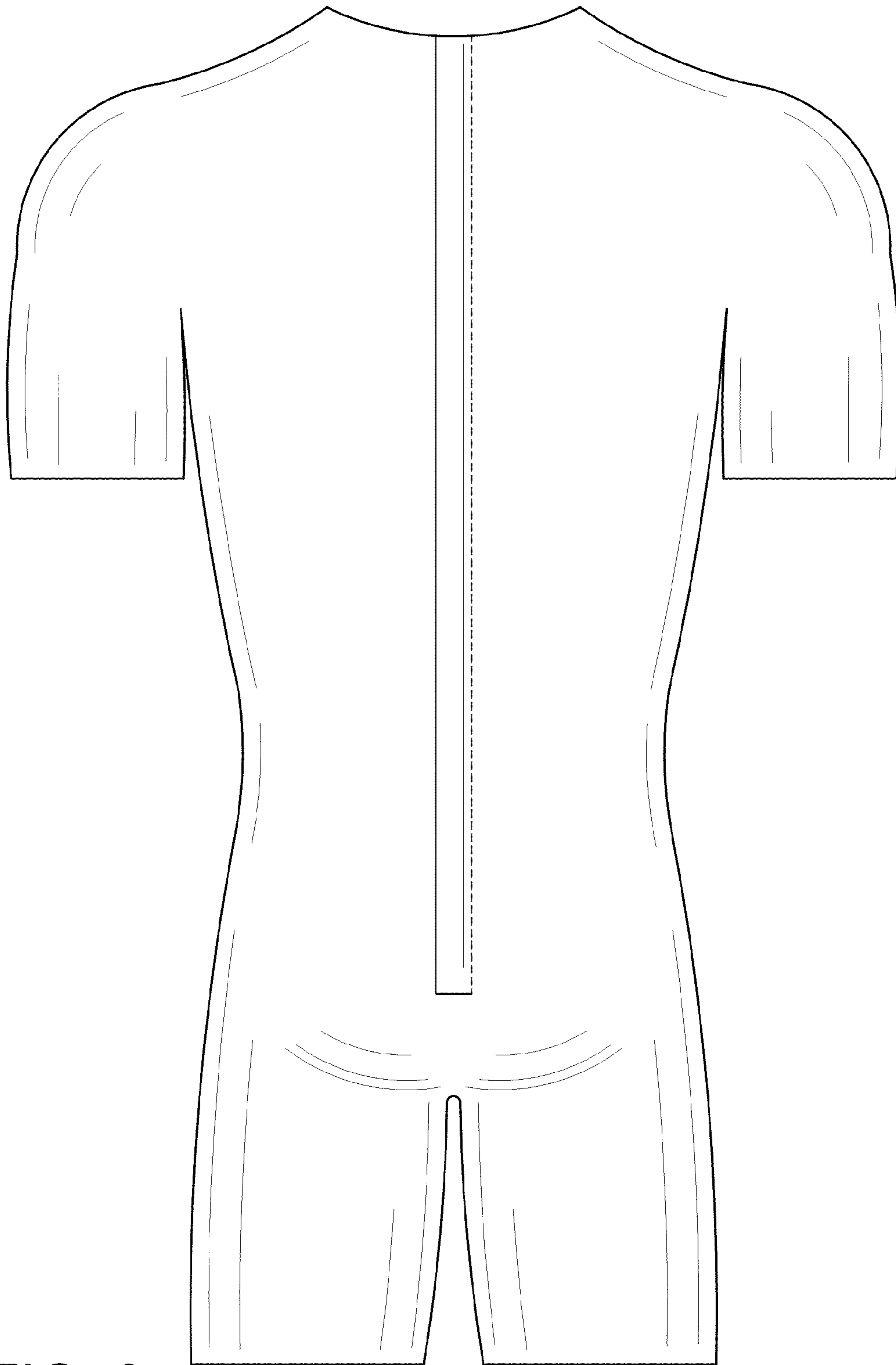


FIG. 2

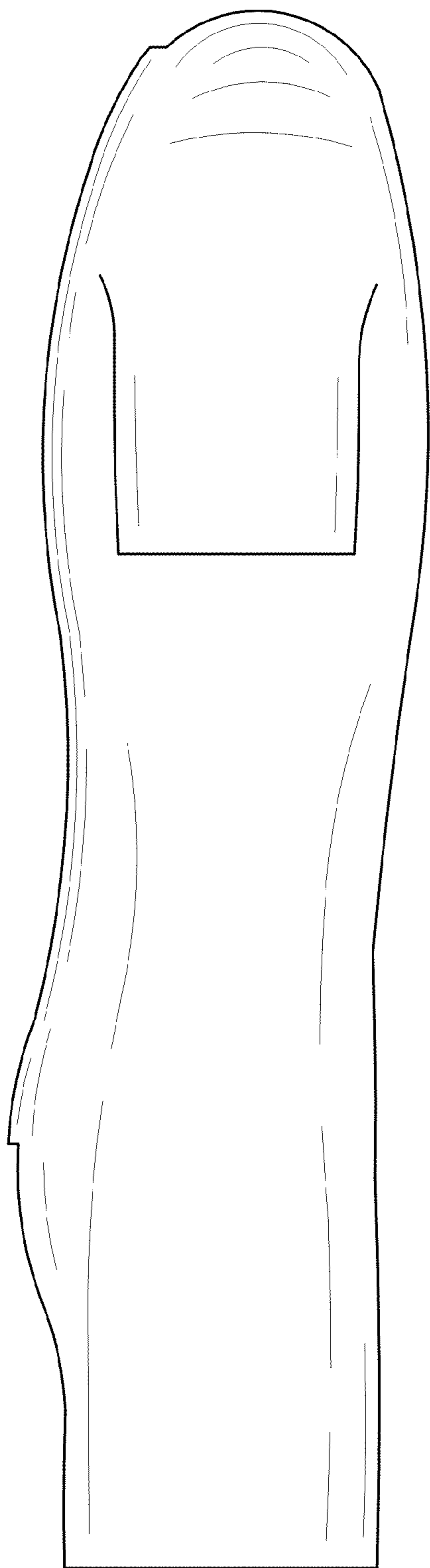


FIG. 3



FIG. 4

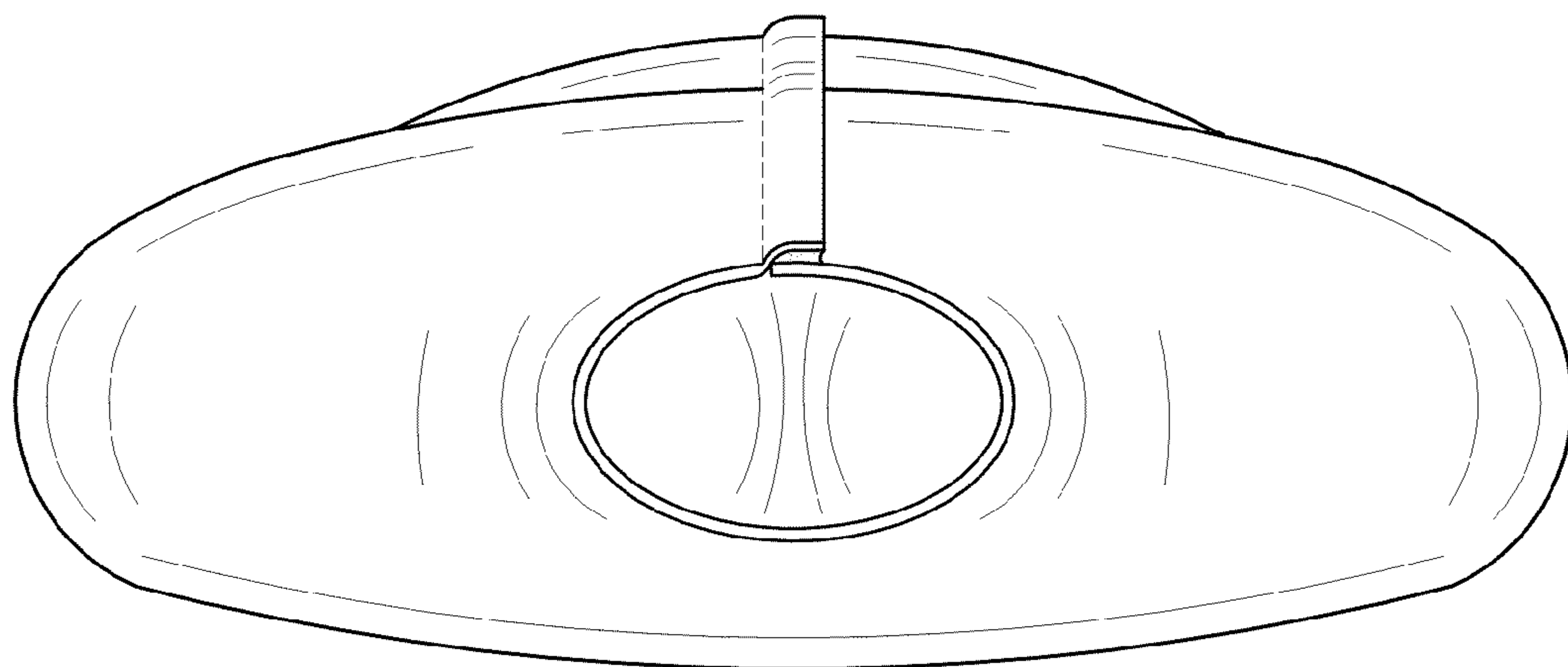


FIG. 5

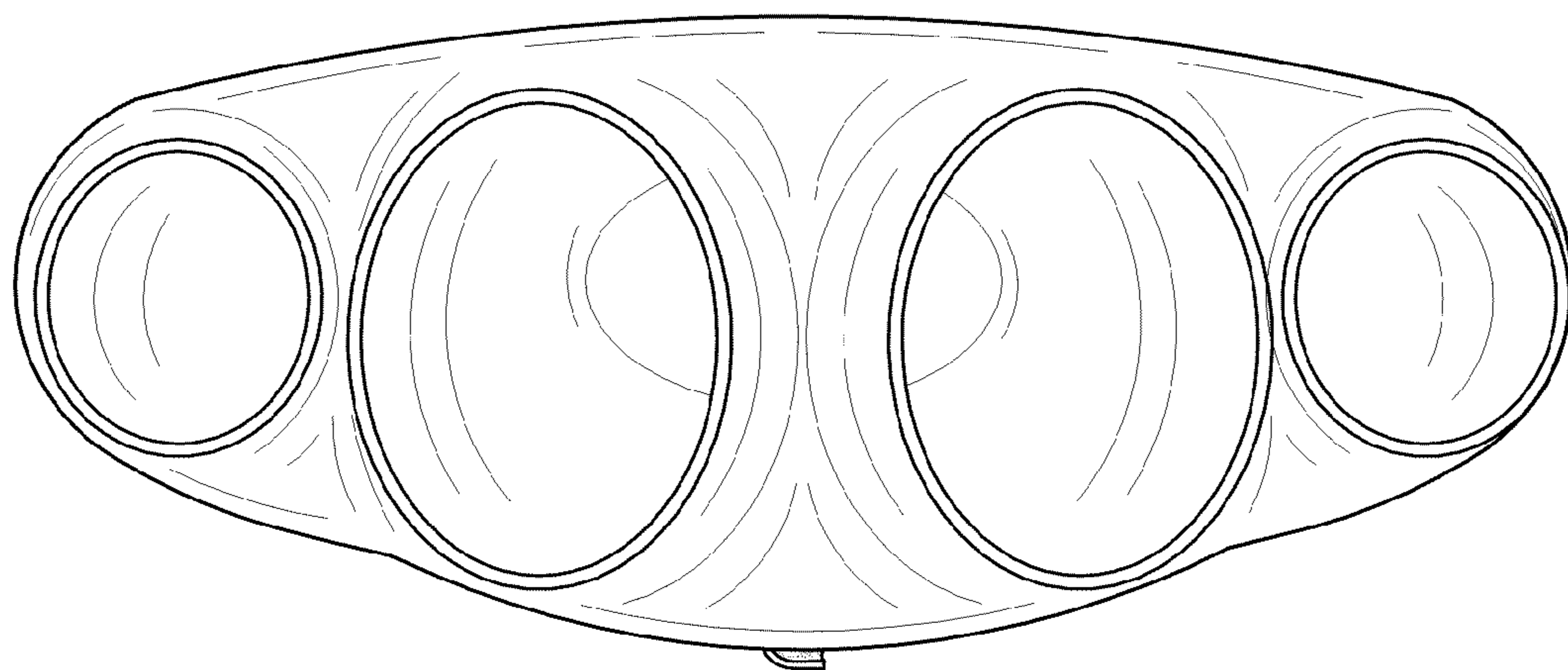


FIG. 6