



US00D641951S

(12) **United States Design Patent**
Bruyea et al.

(10) **Patent No.:** **US D641,951 S**
(45) **Date of Patent:** **** Jul. 26, 2011**

(54) **CONFECTIONARY**

(75) Inventors: **David Bruyea**, Toronto (CA); **Hugh Calvert**, Aurora, IL (US); **Martin Cervenka**, Chicago, IL (US); **Wendy Lau**, Chicago, IL (US); **Ronald L. Ream**, Plano, IL (US); **Christopher Rowe**, Barrington, IL (US); **Dennis Rybolt**, Beecher, IL (US); **Henry Valdez**, St. Charles, IL (US)

D397,270 S * 8/1998 Maalouf D6/601
D478,706 S 8/2003 Cotten
6,814,996 B2 * 11/2004 Murray et al. 426/582
D501,933 S * 2/2005 Dinter D25/113
7,021,015 B2 * 4/2006 Lynch et al. 52/309.13
7,112,345 B1 * 9/2006 McHale et al. 426/5
D544,550 S * 6/2007 Hageman D21/497
D605,828 S * 12/2009 Brown et al. D1/127
D616,177 S * 5/2010 Brown et al. D1/127
D617,079 S * 6/2010 Brown et al. D1/127
2007/0014889 A1 1/2007 McHale et al.
2007/0160707 A1 7/2007 Garcia

(73) Assignee: **Wm. Wrigley Jr. Company**, Chicago, IL (US)

FOREIGN PATENT DOCUMENTS
WO 2003032744 A1 4/2003

(**) Term: **14 Years**

OTHER PUBLICATIONS

(21) Appl. No.: **29/378,108**

Gum, Two Photos.
Stiped Gum, Two Photos.

(22) Filed: **Oct. 29, 2010**

* cited by examiner

(51) **LOC (9) Cl.** **01-01**

Primary Examiner — Cathron Brooks

(52) **U.S. Cl.** **D1/127**

Assistant Examiner — Barbara Fox

(58) **Field of Classification Search** D1/100-199;
D24/101, 102; 426/3, 5, 87, 89, 92, 103,
426/104, 129, 138, 144, 249, 660, 383, 512,
426/516, 808; 424/467; D25/113, 119, 121-132;
D21/499

(74) *Attorney, Agent, or Firm* — Armstrong Teasdale LLP

See application file for complete search history.

(57) **CLAIM**

The ornamental design for a confectionary, as shown and described.

(56) **References Cited**

DESCRIPTION

U.S. PATENT DOCUMENTS

D24,636 S * 8/1895 Henry D25/113
810,210 A 1/1906 Laws
1,414,022 A * 4/1922 Huston 426/94
1,855,145 A 12/1926 Jones
1,789,400 A * 1/1931 Brozek 52/125.3
1,836,604 A * 12/1931 Meyer 127/30
D99,995 S * 6/1936 Brooks D1/121
3,012,377 A * 12/1961 Sunukjian 52/286
4,121,397 A * 10/1978 Marcocci et al. 52/286
D271,439 S 11/1983 Schumacker
D271,534 S * 11/1983 Huzinec D1/127
5,429,581 A * 7/1995 Michaud et al. 494/54

FIG. 1 is a perspective view of a confectionary in accordance with the present invention.

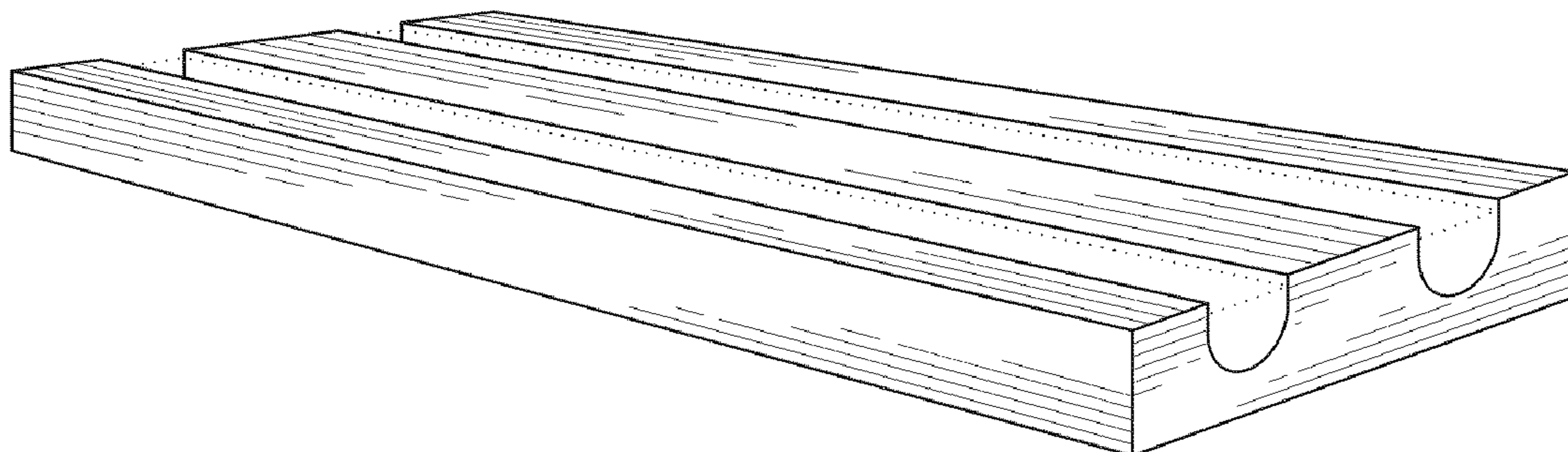
FIG. 2 is a top view of the confectionary shown in FIG. 1.

FIG. 3 is a right side view of the confectionary shown in FIG. 1, with the left side view being identical thereto.

FIG. 4 is a front view of the confectionary shown in FIG. 1, with the rear view being identical thereto; and,

FIG. 5 is a bottom view of the confectionary shown in FIG. 1. The broken lines are included for the purpose of illustrating a filling that forms no part of the claimed design.

1 Claim, 1 Drawing Sheet



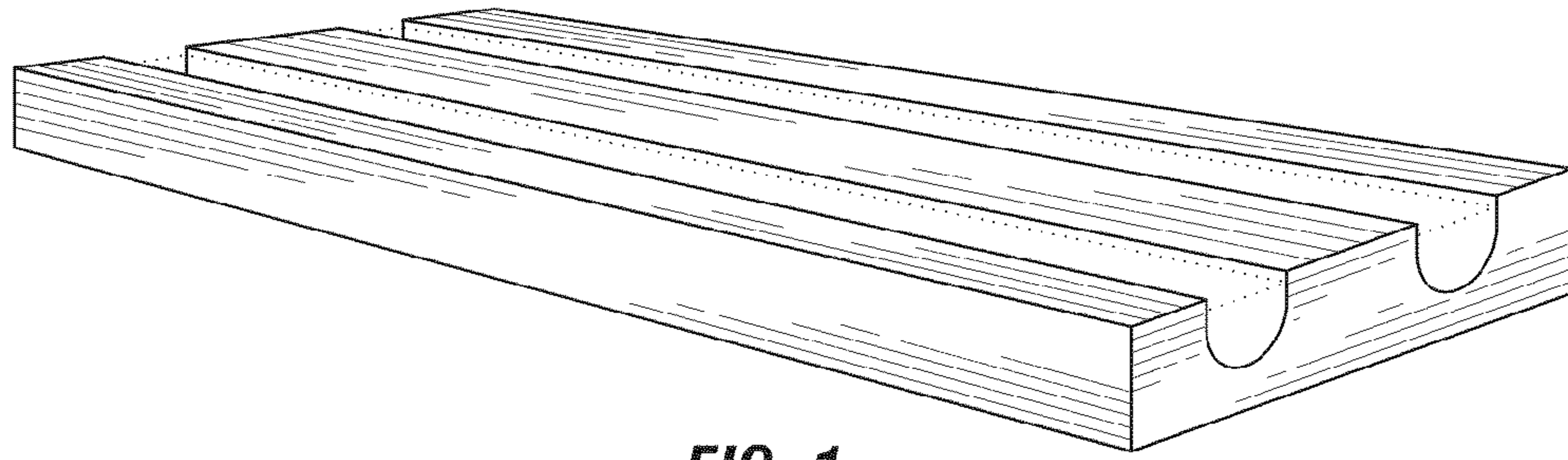


FIG. 1

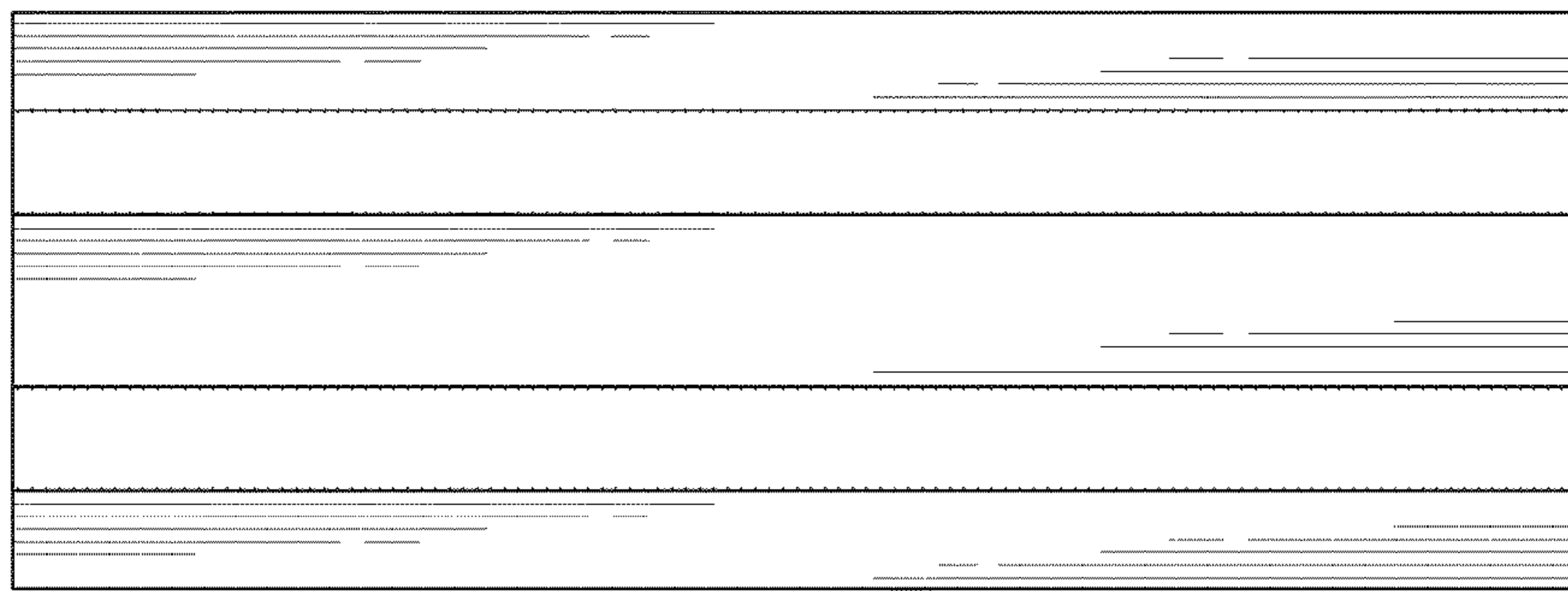


FIG. 2

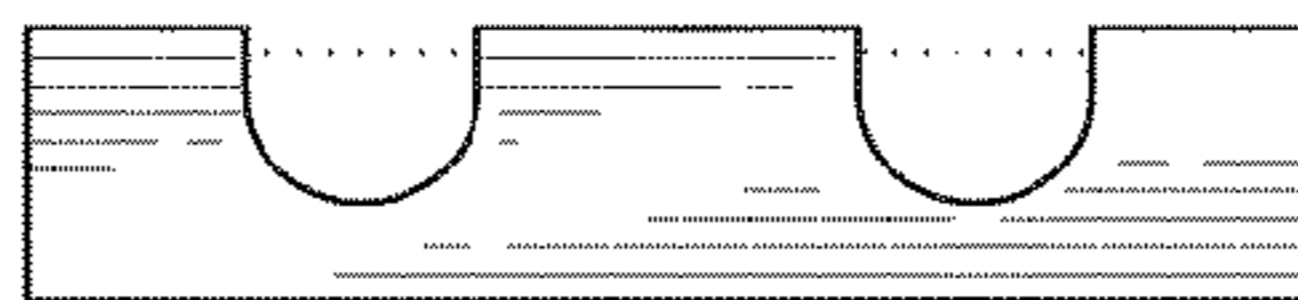


FIG. 3



FIG. 4

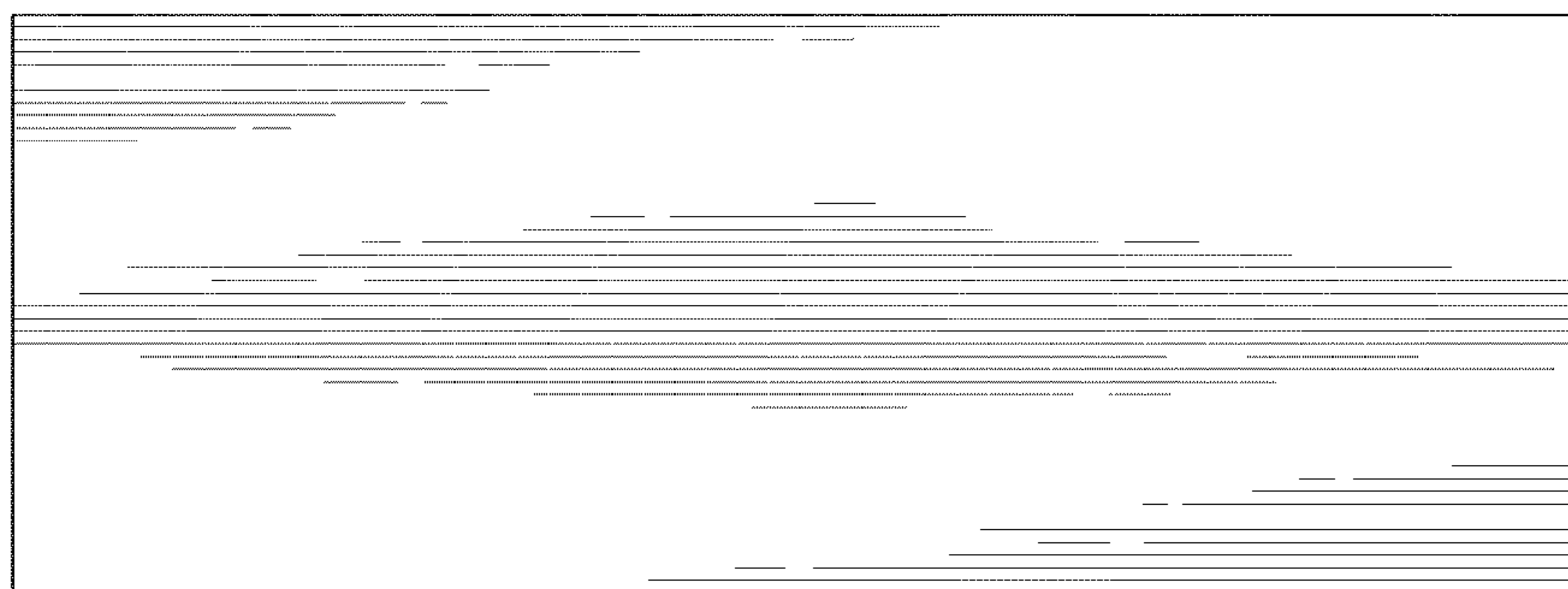


FIG. 5