



US00D641950S

(12) **United States Design Patent**
Bruyea et al.

(10) **Patent No.:** **US D641,950 S**
(45) **Date of Patent:** **** Jul. 26, 2011**

(54) **CONFECTIONARY**

(75) Inventors: **David Bruyea**, Toronto (CA); **Hugh Calvert**, Aurora, IL (US); **Martin Cervenka**, Chicago, IL (US); **Wendy Lau**, Chicago, IL (US); **Ronald L. Ream**, Plano, IL (US); **Christopher Rowe**, Barrington, IL (US); **Dennis Rybolt**, Beecher, IL (US); **Henry Valdez**, St. Charles, IL (US)

(73) Assignee: **Wm. J. Wrigley Company**, Chicago, IL (US)

(**) Term: **14 Years**

(21) Appl. No.: **29/378,030**

(22) Filed: **Oct. 28, 2010**

(51) **LOC (9) Cl.** **01-01**

(52) **U.S. Cl.** **D1/127**

(58) **Field of Classification Search** D1/100-199;
D24/101, 102; 426/3, 5, 87, 89, 92, 103,
426/104, 129, 138, 144, 249, 660, 383, 512,
426/516, 808; 424/467; D25/113, 119, 121-132;
D21/499

See application file for complete search history.

(56) **References Cited**

U.S. PATENT DOCUMENTS

D28,376	S	*	3/1898	Weber	D25/113
810,210	A		1/1906	Laws		
1,855,145	A		12/1926	Jones		
1,836,604	A	*	12/1931	Meyer	127/30
1,894,605	A	*	1/1933	Wright	446/122
D90,592	S	*	8/1933	Peterson	D1/121
D98,858	S	*	3/1936	Gager	D1/121
D100,257	S	*	7/1936	Brooks	D1/121
3,012,377	A	*	12/1961	Sunukjian	52/286
3,358,379	A	*	12/1967	Coley	34/287

4,121,397	A	*	10/1978	Marcocci et al.	52/286
D271,439	S	*	11/1983	Schumacher	D1/127
D271,534	S		11/1983	Huzinee		
5,538,742	A	*	7/1996	McHale et al.	426/5
D397,270	S	*	8/1998	Maalouf	D6/601
D428,681	S	*	8/2000	Aftoora	D1/127
D478,706	S	*	8/2003	Cotten	D1/127
D605,828	S	*	12/2009	Brown et al.	D1/127
2003/0129281	A1	*	7/2003	Murray et al.	426/92
2004/0052909	A1	*	3/2004	Contento et al.	426/99
2007/0014889	A1		1/2007	McHale et al.		
2007/0160707	A1		7/2007	Garcia		

FOREIGN PATENT DOCUMENTS

WO 03032744 A1 4/2003

OTHER PUBLICATIONS

Gum, Two Photos.
Stiped Gum, Two Photos.

* cited by examiner

Primary Examiner — Cathron Brooks

Assistant Examiner — Barbara Fox

(74) *Attorney, Agent, or Firm* — Armstrong Teasdale LLP

(57) **CLAIM**

The ornamental design for a confectionary, as shown and described.

DESCRIPTION

FIG. 1 is a perspective view of a confectionary in accordance with the present invention.

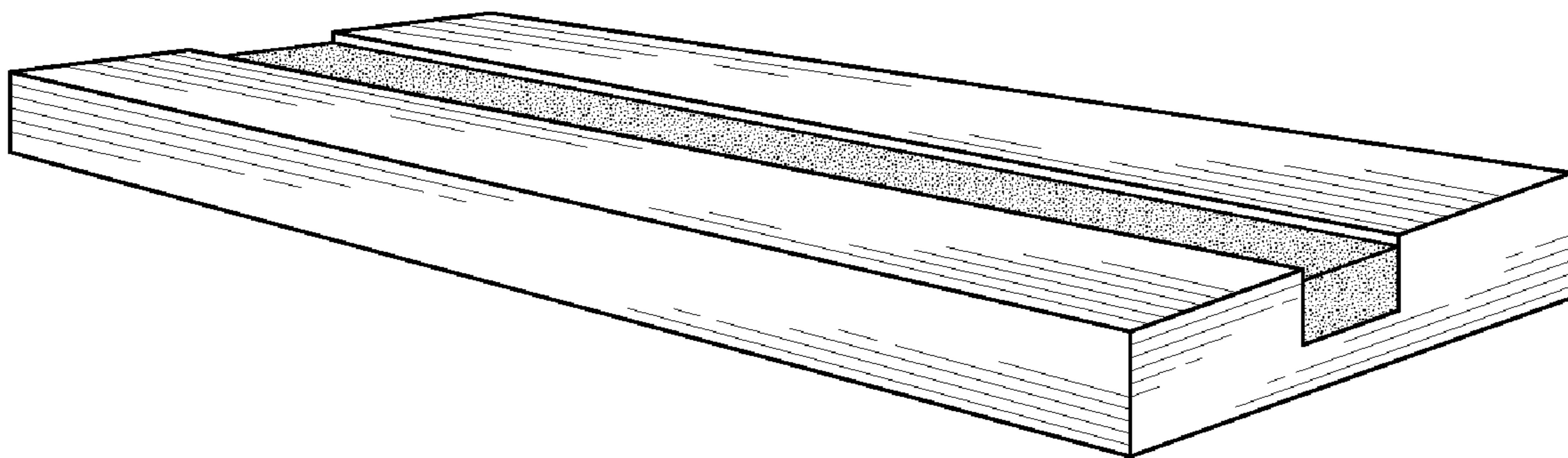
FIG. 2 is a top view of the confectionary shown in FIG. 1.

FIG. 3 is a right side view of the confectionary shown in FIG. 1, with the left side view being identical thereto.

FIG. 4 is a front view of the confectionary shown in FIG. 1, with the rear view being identical thereto; and,

FIG. 5 is a bottom view of the confectionary shown in FIG. 1. The stippled shading in the drawings illustrates a filling.

1 Claim, 1 Drawing Sheet



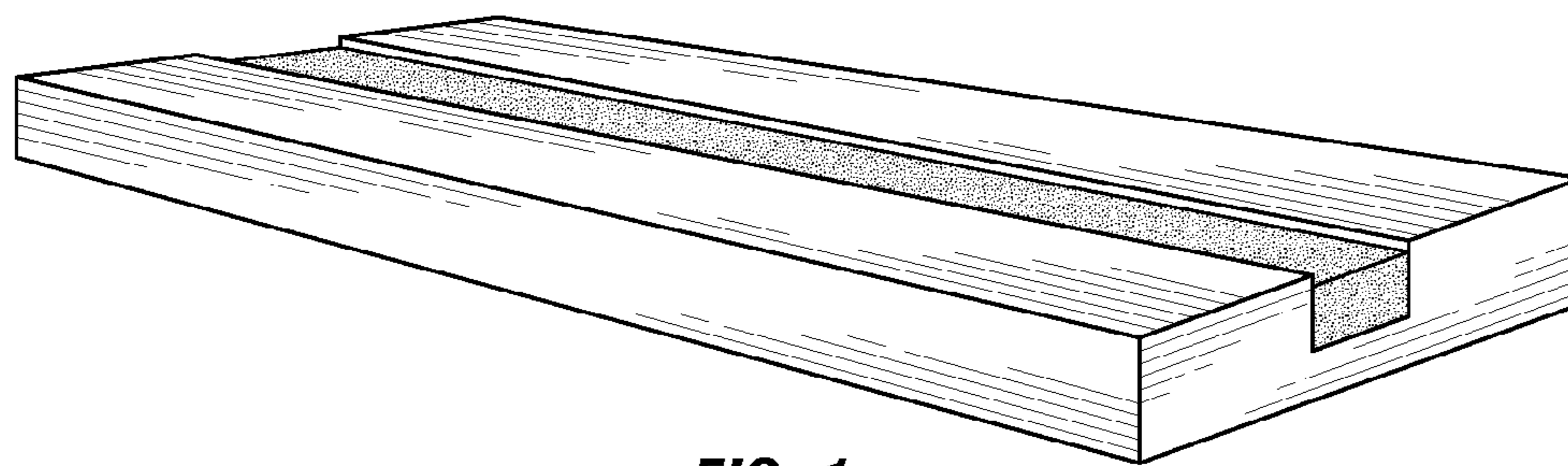


FIG. 1

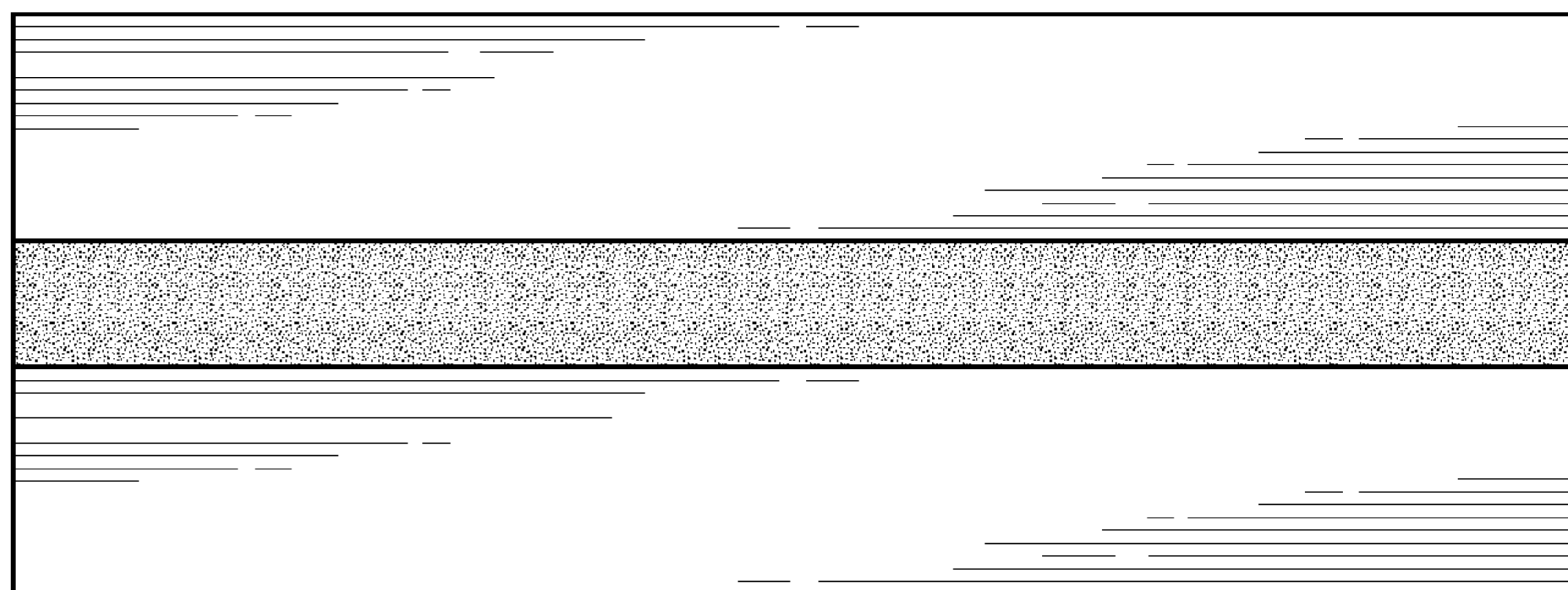


FIG. 2

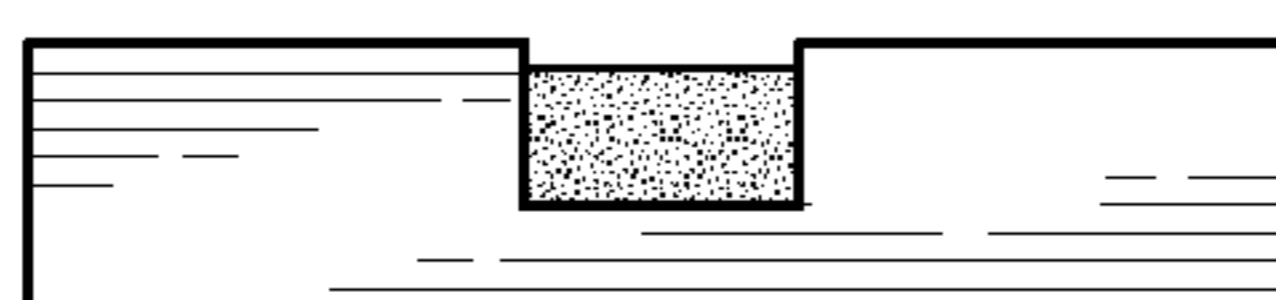


FIG. 3

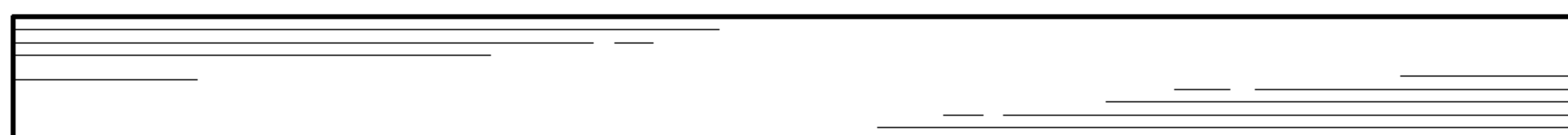


FIG. 4

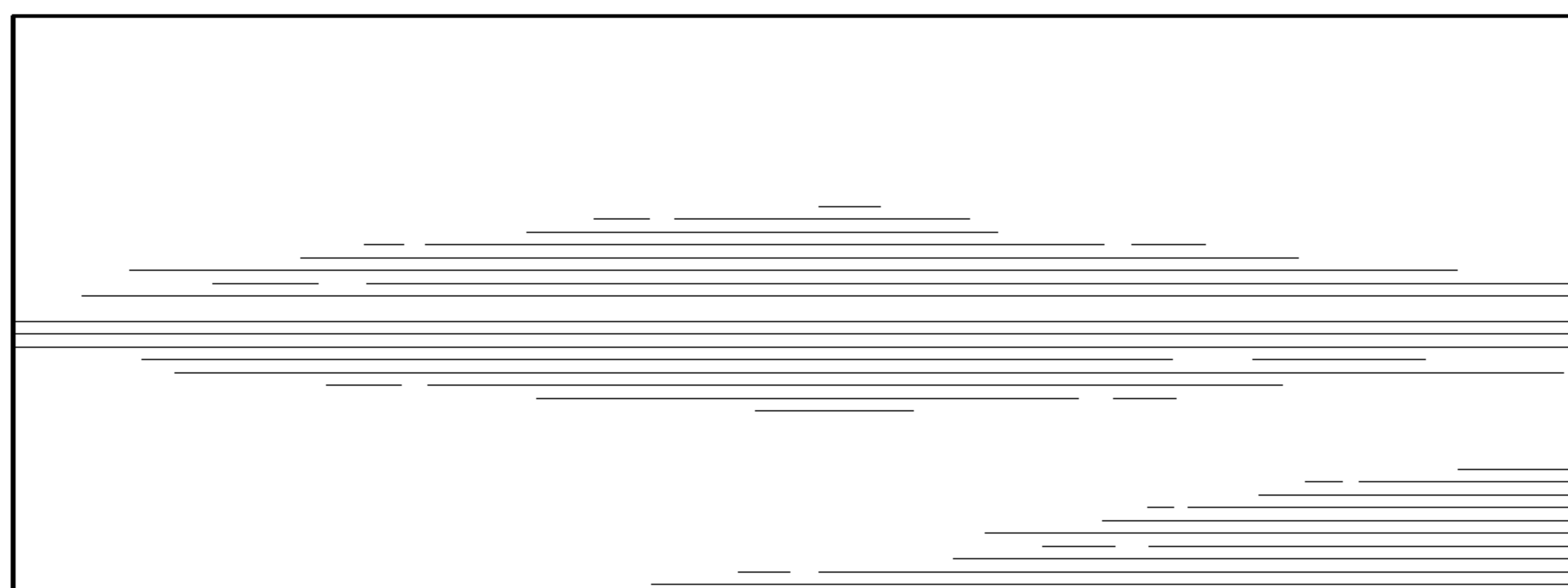


FIG. 5