



US00D641947S

(12) **United States Design Patent**
Bruyea et al.

(10) **Patent No.:** **US D641,947 S**
(45) **Date of Patent:** **** Jul. 26, 2011**

(54) **CONFECTIONARY**

(75) Inventors: **David Bruyea**, Toronto (CA); **Hugh Calvert**, Aurora, IL (US); **Martin Cervenka**, Chicago, IL (US); **Wendy Lau**, Chicago, IL (US); **Ronald L. Ream**, Plano, IL (US); **Christopher Rowe**, Barrington, IL (US); **Dennis Rybolt**, Beecher, IL (US); **Henry Valdez**, St. Charles, IL (US)

(73) Assignee: **Wm. Wrigley Jr. Company**, Chicago, IL (US)

(**) Term: **14 Years**

(21) Appl. No.: **29/378,023**

(22) Filed: **Oct. 28, 2010**

(51) **LOC (9) Cl.** **01-01**

(52) **U.S. Cl.** **D1/127**

(58) **Field of Classification Search** D1/100-199;
D24/101, 102; 426/3, 5, 87, 89, 92, 103,
426/104, 129, 138, 144, 249, 660, 383, 512,
426/516, 808; 424/467; D25/113, 119, 121-132;
D21/499

See application file for complete search history.

(56) **References Cited**

U.S. PATENT DOCUMENTS

| | | | | | | |
|-----------|---|---|---------|----------|-------|--------|
| D34,052 | S | * | 2/1901 | Simon | | D1/121 |
| 810,210 | A | | 1/1906 | Laws | | |
| 1,414,022 | A | * | 4/1922 | Huston | | 426/94 |
| 1,855,145 | A | | 12/1926 | Jones | | |
| 1,836,604 | A | * | 12/1931 | Meyer | | 127/30 |
| D90,688 | S | * | 9/1933 | Sherrill | | D1/121 |
| D99,590 | S | * | 5/1936 | Torongo | | D1/100 |
| D99,993 | S | * | 6/1936 | Brooks | | D1/121 |
| D99,994 | S | * | 6/1936 | Brooks | | D1/121 |
| D99,995 | S | * | 6/1936 | Brooks | | D1/121 |
| D99,996 | S | * | 6/1936 | Brooks | | D1/121 |
| D137,301 | S | * | 2/1944 | Willems | | D1/103 |

| | | | | | | |
|--------------|----|---|---------|---------------|-------|---------|
| 2,386,416 | A | * | 10/1945 | Wilhelm | | 206/539 |
| D246,941 | S | * | 1/1978 | Kalt | | D1/129 |
| D271,439 | S | | 11/1983 | Schumacker | | |
| D271,534 | S | * | 11/1983 | Huzinec | | D1/127 |
| 4,525,373 | A | * | 6/1985 | Hosaka | | 426/634 |
| D379,471 | S | * | 5/1997 | Gilbert | | D18/56 |
| 6,039,995 | A | * | 3/2000 | Zamzow | | 426/518 |
| D478,706 | S | | 8/2003 | Cotten | | |
| D480,201 | S | * | 10/2003 | Cotten | | D1/127 |
| 6,942,885 | B2 | * | 9/2005 | Ross et al. | | 426/94 |
| D617,079 | S | * | 6/2010 | Brown et al. | | D1/127 |
| 2007/0014889 | A1 | | 1/2007 | McHale et al. | | |
| 2007/0160707 | A1 | | 7/2007 | Garcia | | |

FOREIGN PATENT DOCUMENTS

WO 03032744 A1 4/2003

OTHER PUBLICATIONS

Gum, Two Photos.
Striped Gum, Two Photos.

* cited by examiner

Primary Examiner — Cathron Brooks

Assistant Examiner — Barbara Fox

(74) *Attorney, Agent, or Firm* — Armstrong Teasdale LLP

(57) **CLAIM**

The ornamental design for a confectionary, as shown and described.

DESCRIPTION

FIG. 1 is a perspective view of a confectionary in accordance with the present invention.

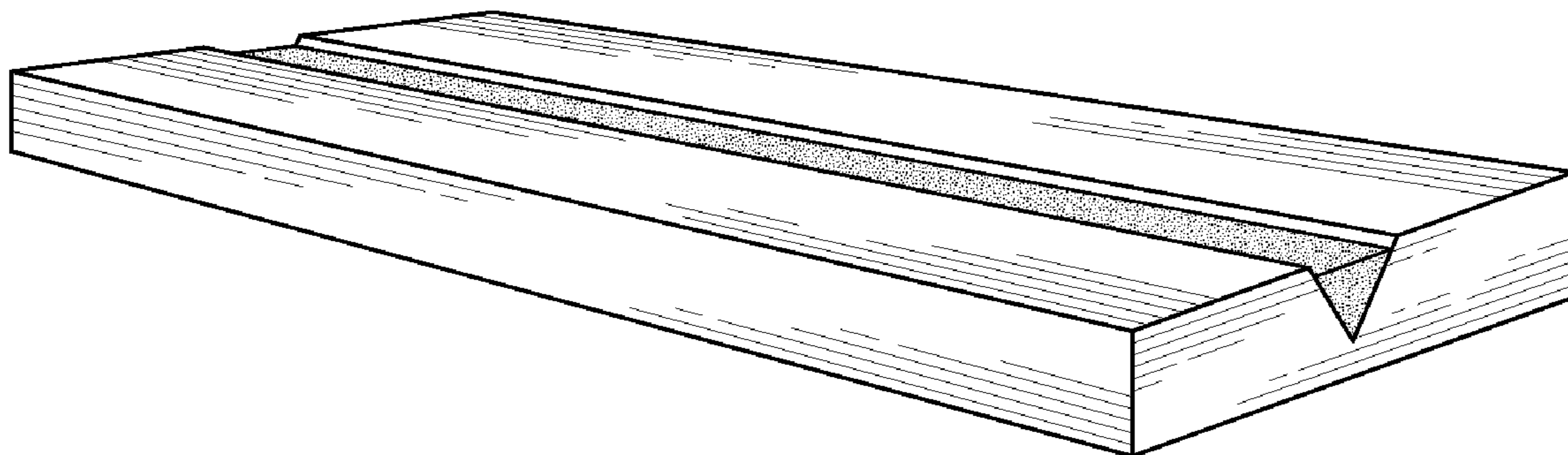
FIG. 2 is a top view of the confectionary shown in FIG. 1.

FIG. 3 is a right side view of the confectionary shown in FIG. 1, with the left side view being identical thereto.

FIG. 4 is a front view of the confectionary shown in FIG. 1, with the rear view being identical thereto; and,

FIG. 5 is a bottom view of the confectionary shown in FIG. 1. The stippled shading in the drawings illustrates a filling.

1 Claim, 1 Drawing Sheet



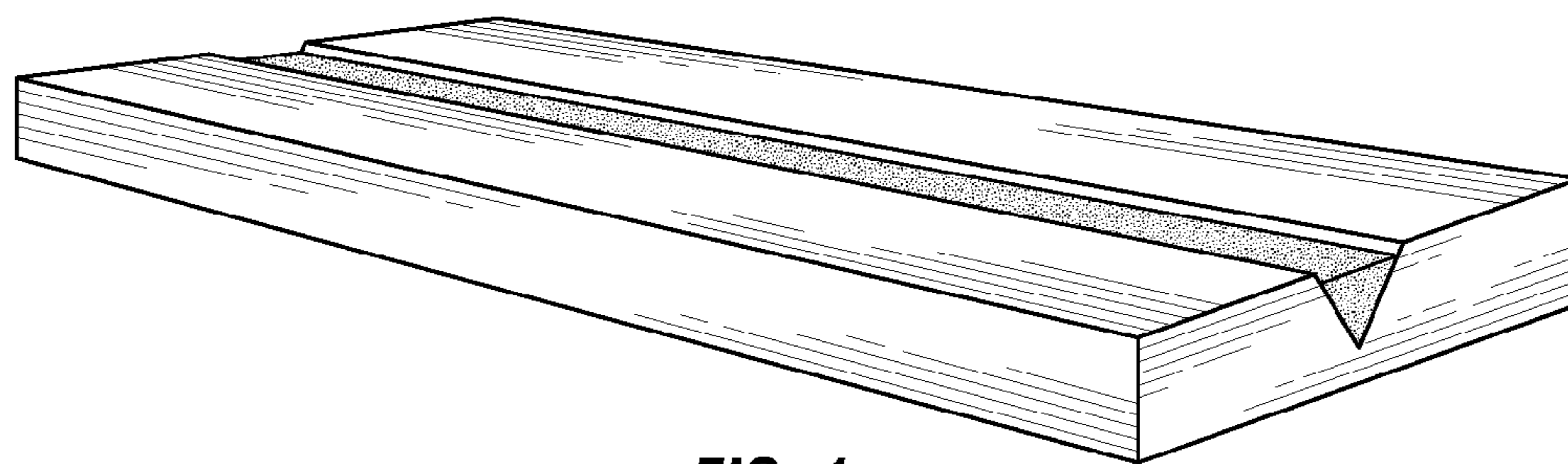


FIG. 1

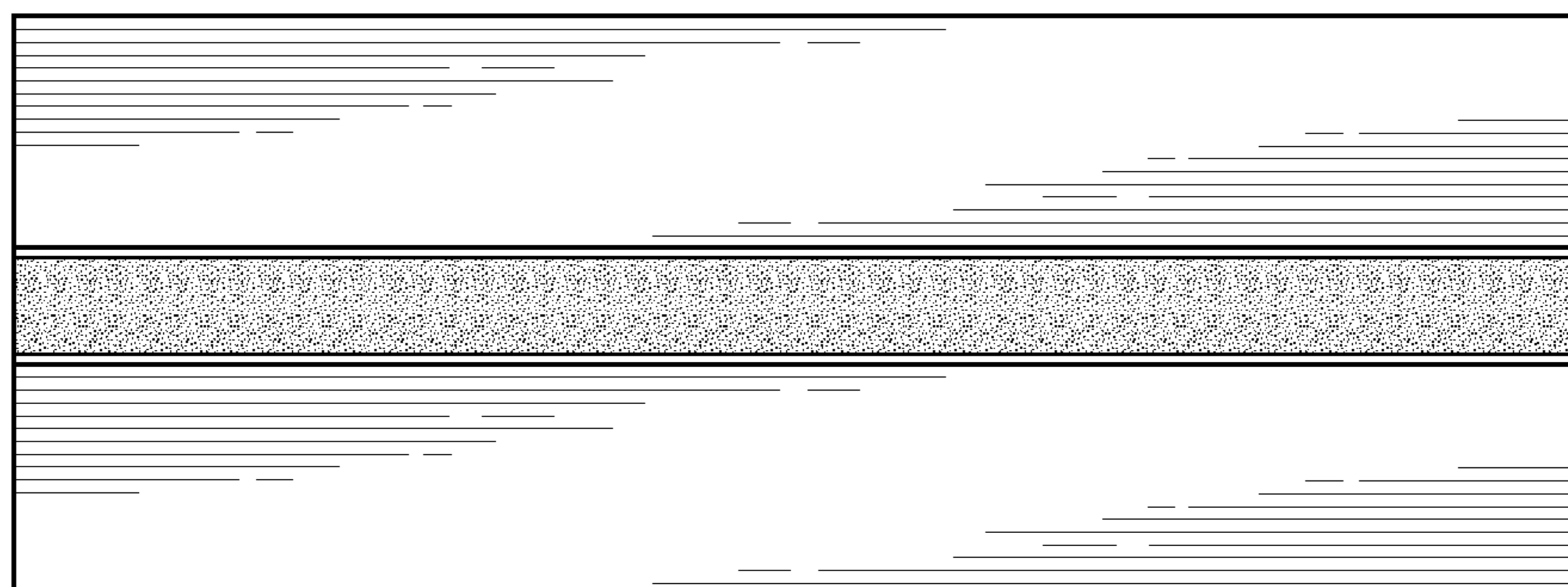


FIG. 2

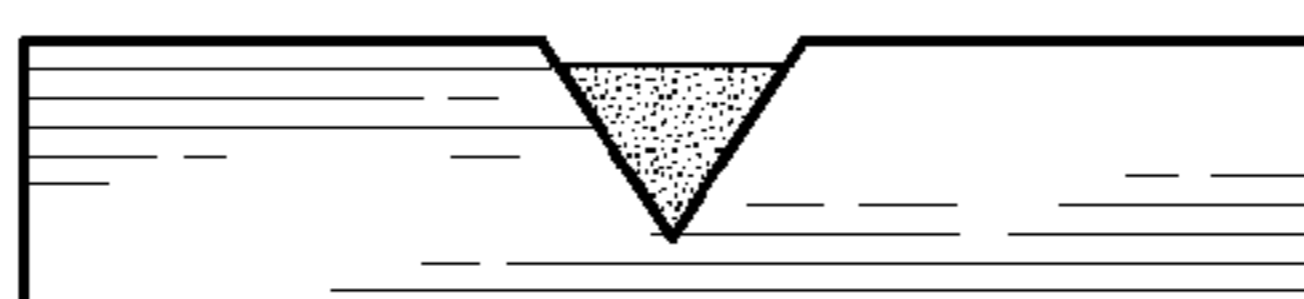


FIG. 3

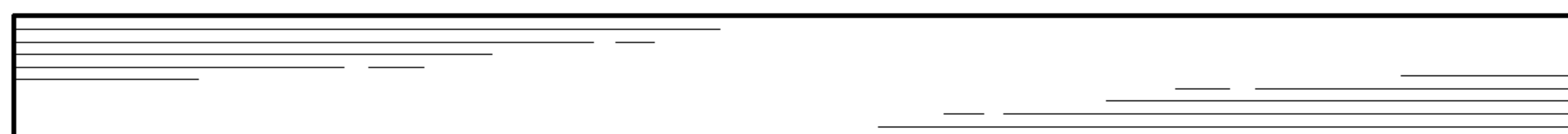


FIG. 4

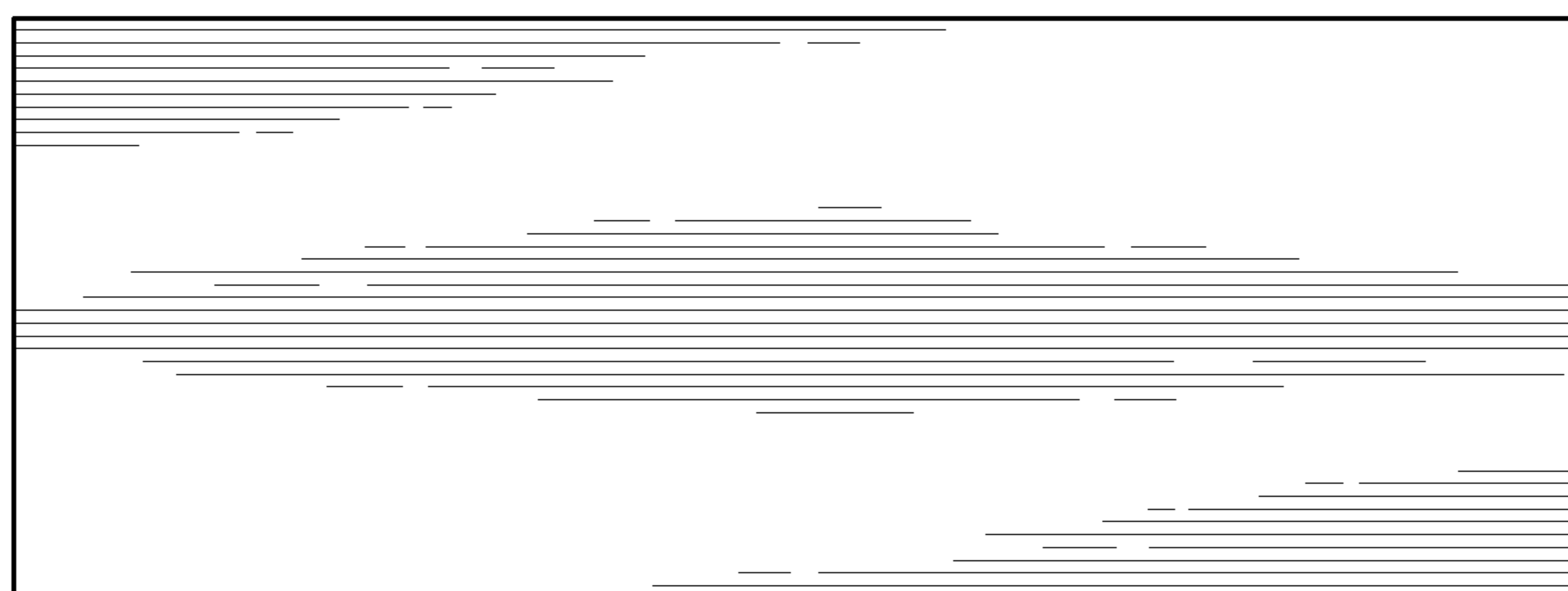


FIG. 5