



US00D641946S

(12) **United States Design Patent**  
**Bruyea et al.**

(10) **Patent No.:** **US D641,946 S**  
(45) **Date of Patent:** **\*\* Jul. 26, 2011**

(54) **CONFECTIONARY**

(75) Inventors: **David Bruyea**, Toronto (CA); **Hugh Calvert**, Aurora, IL (US); **Martin Cervenka**, Chicago, IL (US); **Wendy Lau**, Chicago, IL (US); **Ronald L. Ream**, Plano, IL (US); **Christopher Rowe**, Barrington, IL (US); **Dennis Rybolt**, Beecher, IL (US); **Henry Valdez**, St. Charles, IL (US)

(73) Assignee: **Wm. Wrigley Jr. Company**, Chicago, IL (US)

(\*\*) Term: **14 Years**

(21) Appl. No.: **29/378,007**

(22) Filed: **Oct. 28, 2010**

(51) **LOC (9) Cl.** ..... **01-01**

(52) **U.S. Cl.** ..... **D1/127**

(58) **Field of Classification Search** ..... D1/100-199;  
D24/101, 102; 426/3, 5, 87, 89, 92, 103,  
426/104, 129, 138, 144, 249, 660, 383, 512,  
426/516, 808; 424/467; D25/113, 119, 121;  
D21/499

See application file for complete search history.

(56) **References Cited**

**U.S. PATENT DOCUMENTS**

D34,052	S	*	2/1901	Simon	.....	D1/121
810,210	A		1/1906	Laws		
1,414,022	A	*	4/1922	Huston	.....	426/94
1,855,145	A		12/1926	Jones		
1,836,604	A	*	12/1931	Meyer	.....	127/30
D90,688	S	*	9/1933	Sherrill	.....	D1/121
D99,590	S	*	5/1936	Torongo	.....	D1/100
D99,993	S	*	6/1936	Brooks	.....	D1/121
D99,994	S	*	6/1936	Brooks	.....	D1/121
D99,995	S	*	6/1936	Brooks	.....	D1/121
D99,996	S	*	6/1936	Brooks	.....	D1/121
D137,301	S	*	2/1944	Willems	.....	D1/103

2,386,416	A	*	10/1945	Wilhelm	.....	206/539
D246,941	S	*	1/1978	Kalt	.....	D1/129
D271,439	S		11/1983	Schumacher		
D271,534	S	*	11/1983	Huzinec	.....	D1/127
4,525,373	A	*	6/1985	Hosaka	.....	426/634
D379,471	S	*	5/1997	Gilbert	.....	D18/56
6,039,995	A	*	3/2000	Zamzow	.....	426/518
D478,706	S		8/2003	Cotten		
D480,201	S	*	10/2003	Cotten	.....	D1/127
6,942,885	B2	*	9/2005	Ross et al.	.....	426/94
D617,079	S	*	6/2010	Brown et al.	.....	D1/127
2007/0014889	A1		1/2007	McHale et al.		
2007/0160707	A1		7/2007	Garcia		

**FOREIGN PATENT DOCUMENTS**

WO 03032744 A1 4/2003

**OTHER PUBLICATIONS**

Gum, Two Photos.  
Striped Gum, Two Photos.

\* cited by examiner

*Primary Examiner* — Cathron Brooks

*Assistant Examiner* — Barbara Fox

(74) *Attorney, Agent, or Firm* — Armstrong Teasdale LLP

(57) **CLAIM**

The ornamental design for a confectionary, as shown and described.

**DESCRIPTION**

FIG. 1 is a perspective view of a confectionary in accordance with the present invention.

FIG. 2 is a top view of the confectionary shown in FIG. 1.

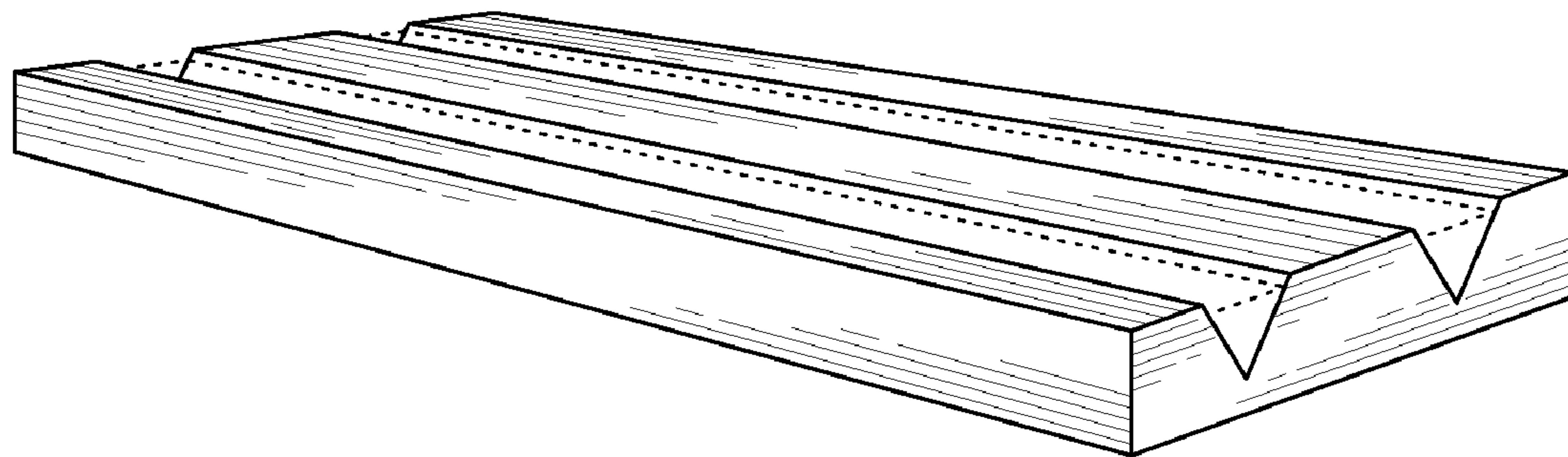
FIG. 3 is a right side view of the confectionary shown in FIG. 1, with the left side view being identical thereto.

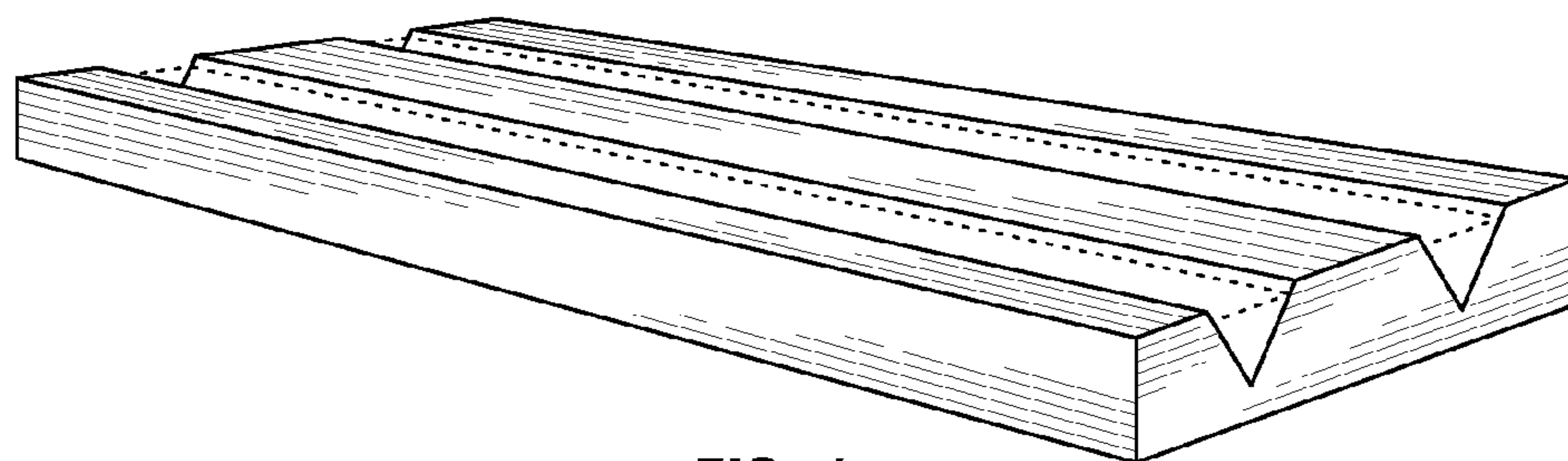
FIG. 4 is a front view of the confectionary shown in FIG. 1, with the rear view being identical thereto; and,

FIG. 5 is a bottom view of the confectionary shown in FIG. 1.

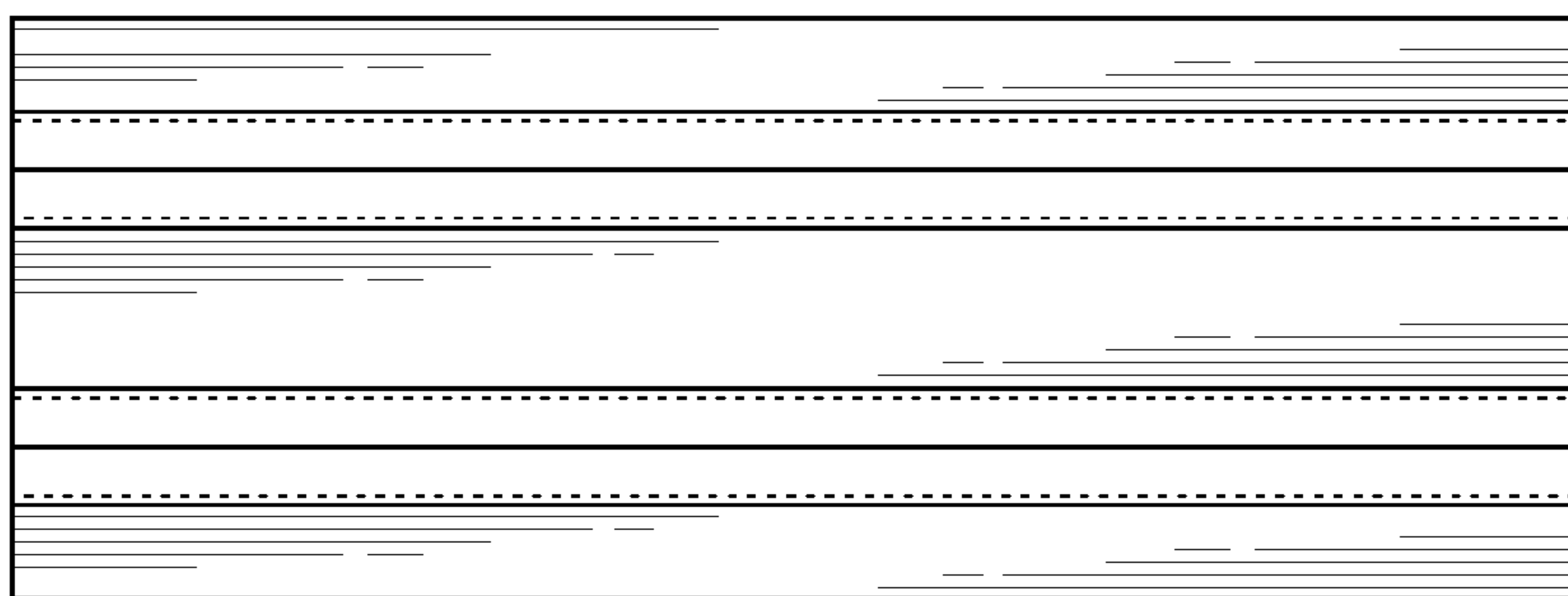
The broken lines are included for the purpose of illustrating a filling that forms no part of the claimed design.

**1 Claim, 1 Drawing Sheet**

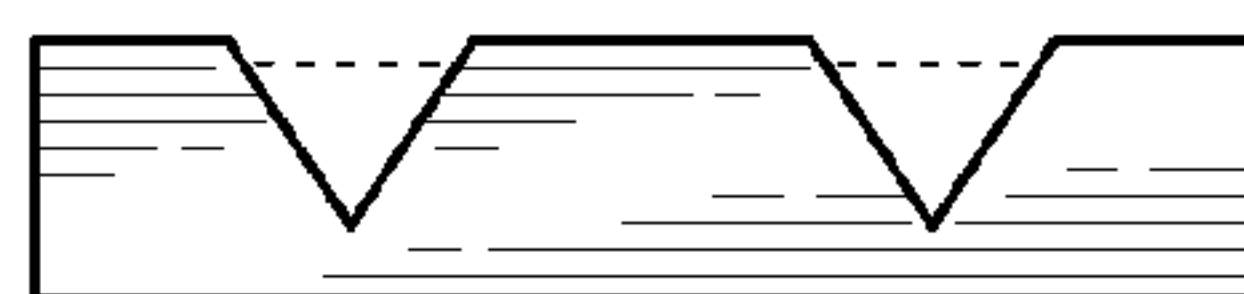




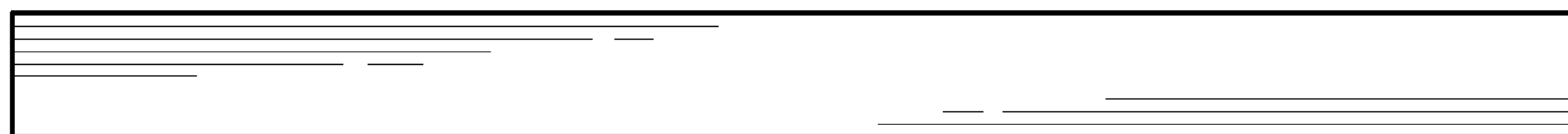
**FIG. 1**



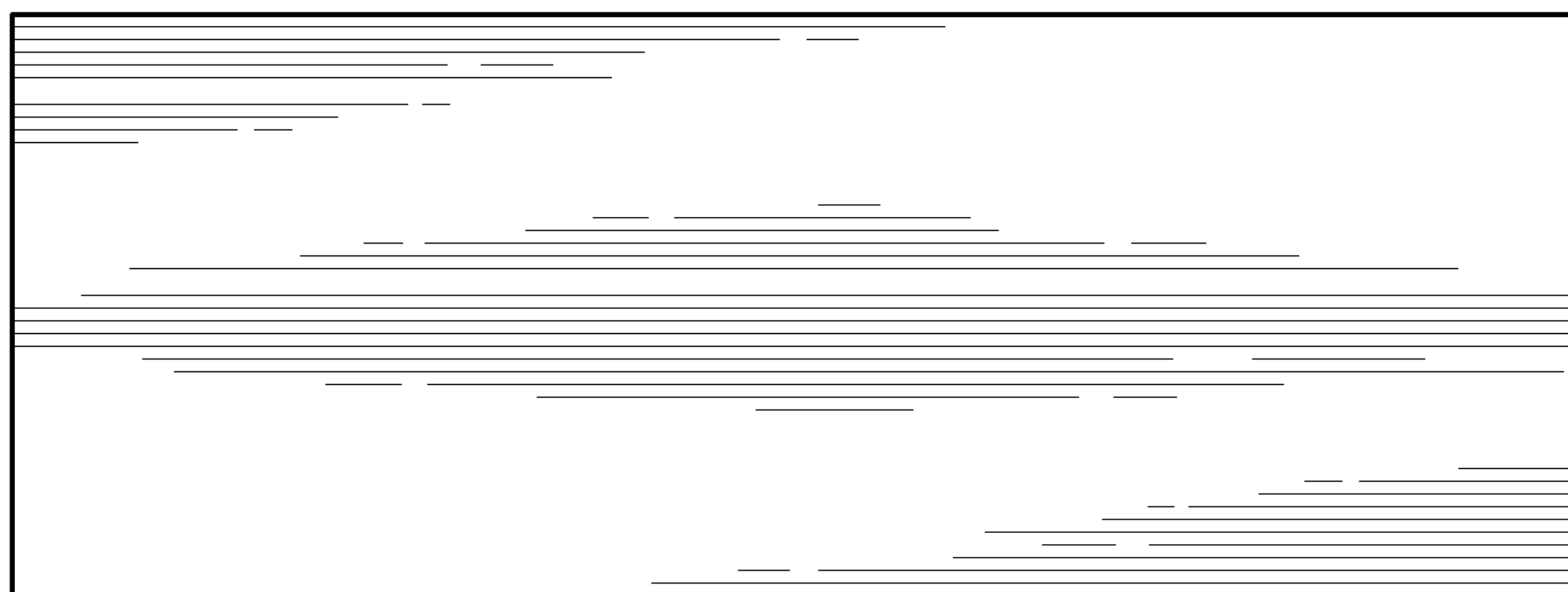
**FIG. 2**



**FIG. 3**



**FIG. 4**



**FIG. 5**