

US00D641945S

(12) **United States Design Patent**
Henderson

(10) **Patent No.:** **US D641,945 S**

(45) **Date of Patent:** **** Jul. 19, 2011**

(54) **CASKET**

(76) **Inventor:** **Edward C. Henderson, Skokie, IL (US)**

(**) **Term:** **14 Years**

(21) **Appl. No.:** **29/361,715**

(22) **Filed:** **May 13, 2010**

(51) **LOC (9) Cl.** **99-00**

(52) **U.S. Cl.** **D99/1**

(58) **Field of Classification Search** D99/1,
D99/2, 3, 4, 6, 7, 8, 9, 13; 27/1, 2, 3, 4, 5,
27/6, 7, 8, 9, 17; 52/128, 133

See application file for complete search history.

(56) **References Cited**

U.S. PATENT DOCUMENTS

1,048,361 A	12/1912	Sievert	
D50,880 S *	6/1917	Rahe	D99/1
D63,147 S	10/1923	Hiser	
D66,790 S	3/1925	Currie	
D75,966 S	8/1928	Falck	
1,743,663 A	1/1930	Falck	
1,779,693 A	10/1930	Clarke	
D86,531 S	3/1932	Marsellus	
D92,867 S	7/1934	Scholl	
1,965,385 A	7/1934	Ludwig	
D93,911 S *	11/1934	Cohen	D99/1
D95,388 S	4/1935	Thompson	
D95,701 S	5/1935	Neff	
D97,187 S	10/1935	Hangen	
D101,504 S *	10/1936	Myers	D99/7
D107,324 S *	12/1937	Schnelker	D99/7
2,116,703 A *	5/1938	Larkin	52/140
2,284,921 A *	6/1942	Purkiss	27/17
D138,492 S *	8/1944	Ayuso	D99/1
2,372,412 A *	3/1945	Wallace	27/6
D153,167 S *	3/1949	Paden	D99/7
D161,383 S *	12/1950	Schladermundt	D99/1
2,821,770 A *	2/1958	Gruber	27/17
D202,187 S	9/1965	Alcott	

D208,773 S	10/1967	Peter	
3,344,494 A *	10/1967	McClive	27/19
3,406,229 A *	10/1968	Cenegy	264/46.5
3,504,409 A *	4/1970	Keller, Jr	27/6
3,568,275 A *	3/1971	Carson, Jr	27/12
3,944,267 A *	3/1976	Sundquist	292/158
D294,763 S	3/1988	Beardsley	
5,007,148 A *	4/1991	Bida	27/1
5,088,167 A *	2/1992	Rahe	27/1
5,926,929 A *	7/1999	MacKirby	27/2
5,966,786 A *	10/1999	Bowling	27/2
6,223,404 B1 *	5/2001	Fant et al.	27/19
6,317,942 B1 *	11/2001	Hankel et al.	27/2
D512,194 S *	11/2005	Draeger	D99/3
7,243,406 B1 *	7/2007	Wray	27/18
D551,425 S	9/2007	Layle	

* cited by examiner

Primary Examiner — Paula Greene

(74) *Attorney, Agent, or Firm* — QuickPatents, Inc.; Kevin Prince

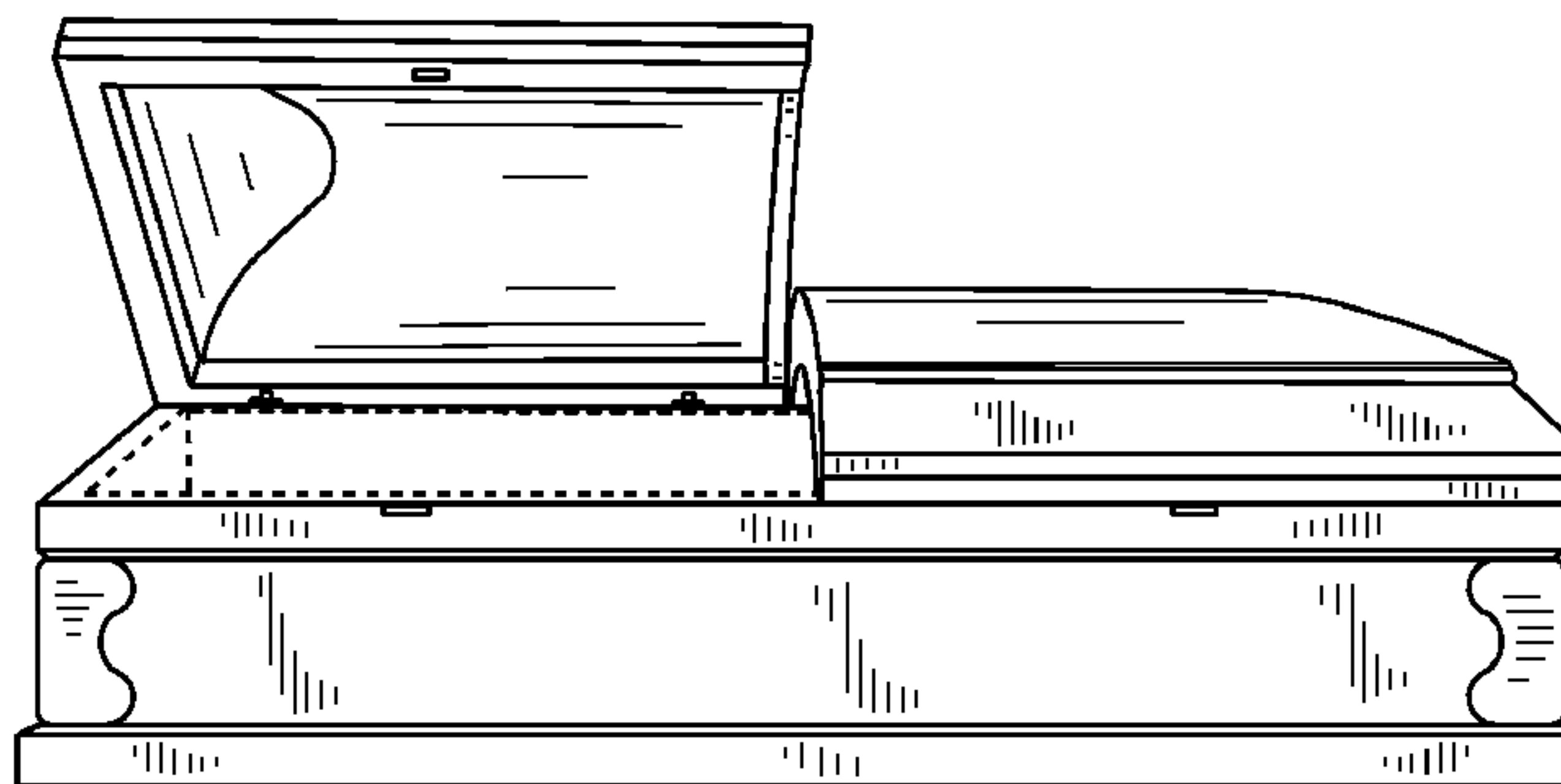
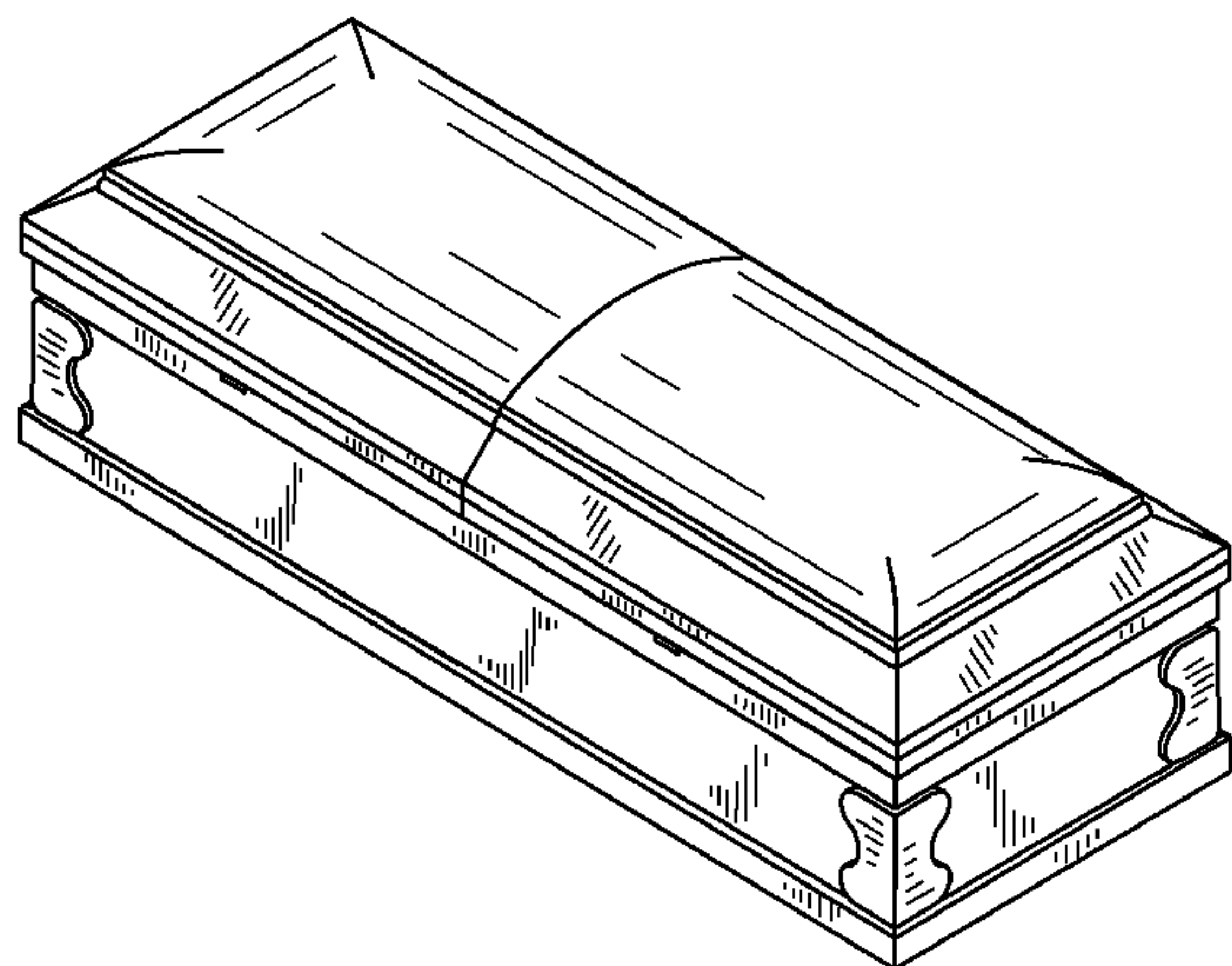
(57) **CLAIM**

What is claimed is the ornamental design for a casket, as shown and described.

DESCRIPTION

FIG. 1 is a perspective view of a casket, illustrated in a closed configuration, showing the new design;
 FIG. 2 is a front elevational view thereof;
 FIG. 3 is a rear elevational view thereof;
 FIG. 4 is a left-side elevational view thereof, the right-side elevational view being a mirror image thereof;
 FIG. 5 is a top plan view thereof;
 FIG. 6 is a bottom plan view thereof; and,
 FIG. 7 is a perspective view thereof, illustrated in a partially-open configuration on a left side, the partially-open configuration on the right side being a mirror image thereof.
 The broken lines in FIG. 7 form no part of the claimed design.

1 Claim, 5 Drawing Sheets



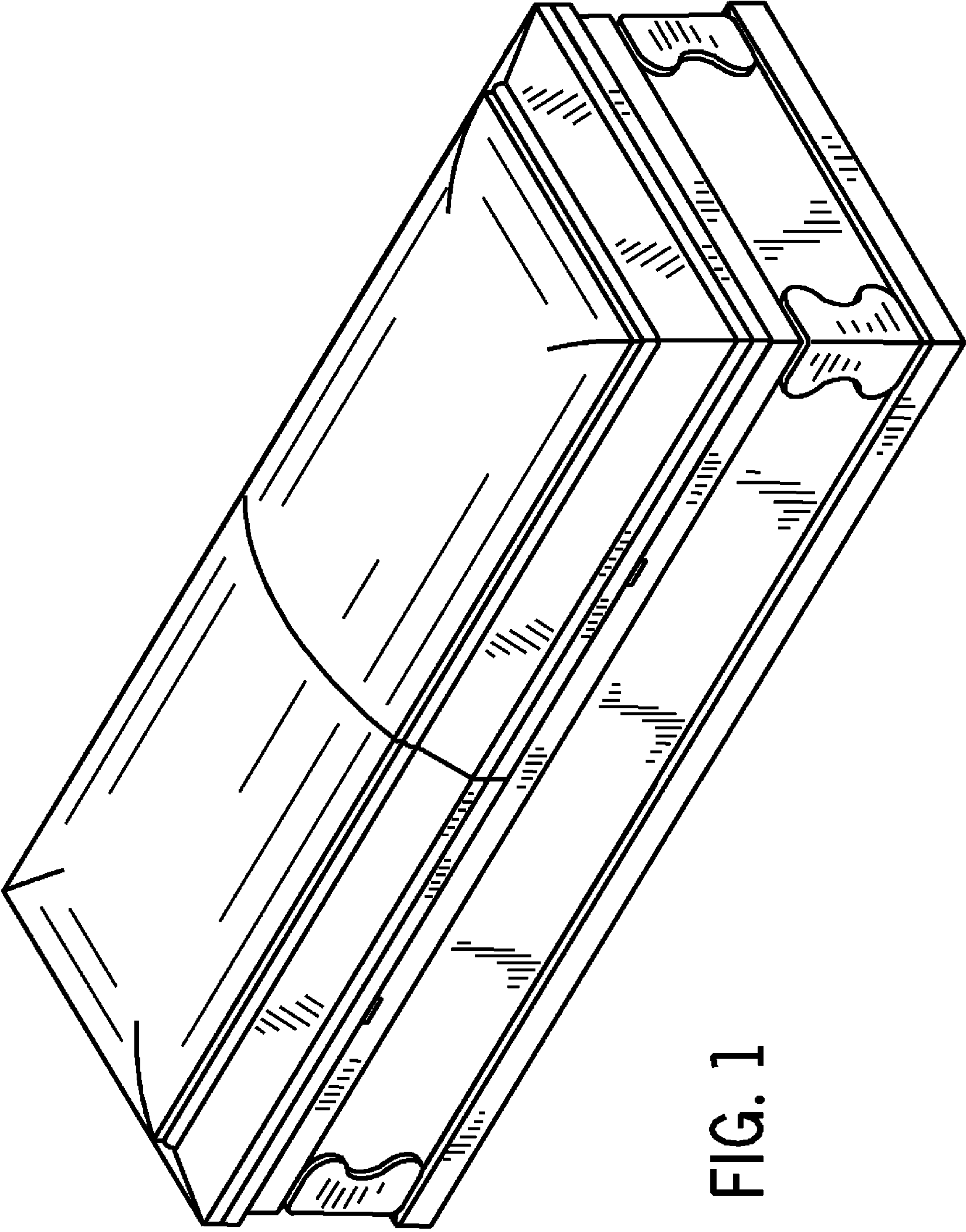


FIG. 1

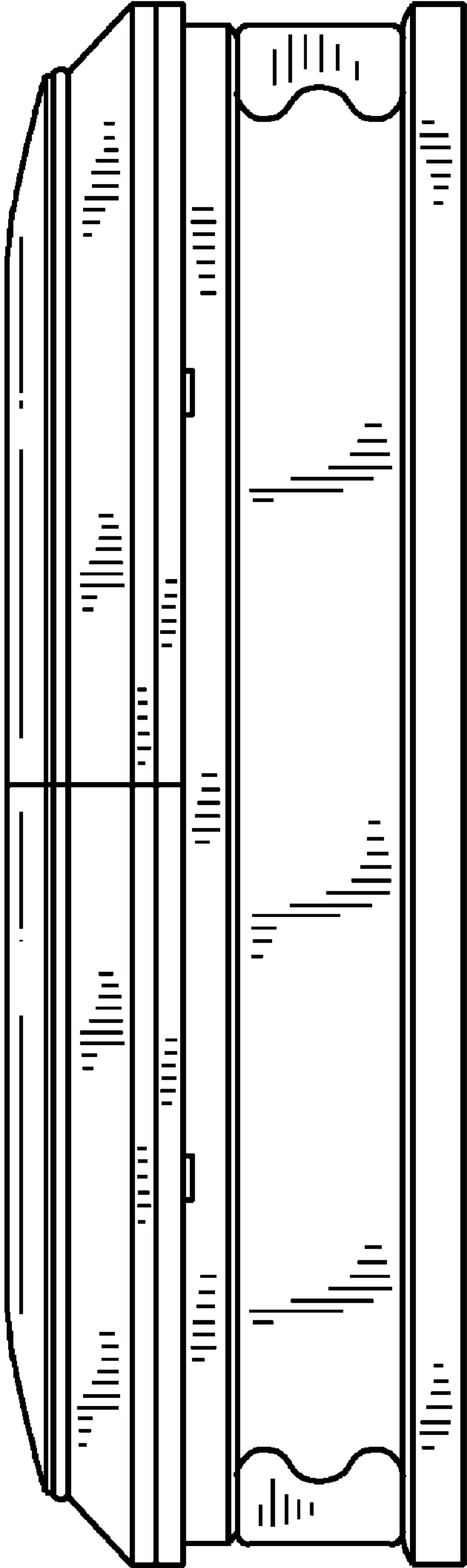


FIG. 2

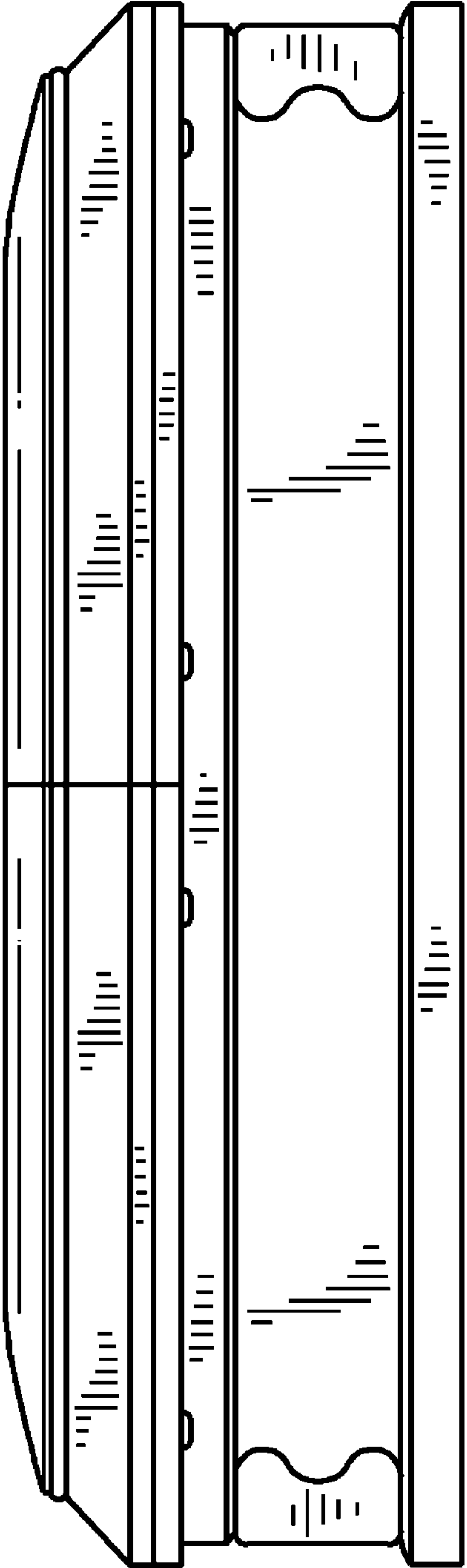


FIG. 3

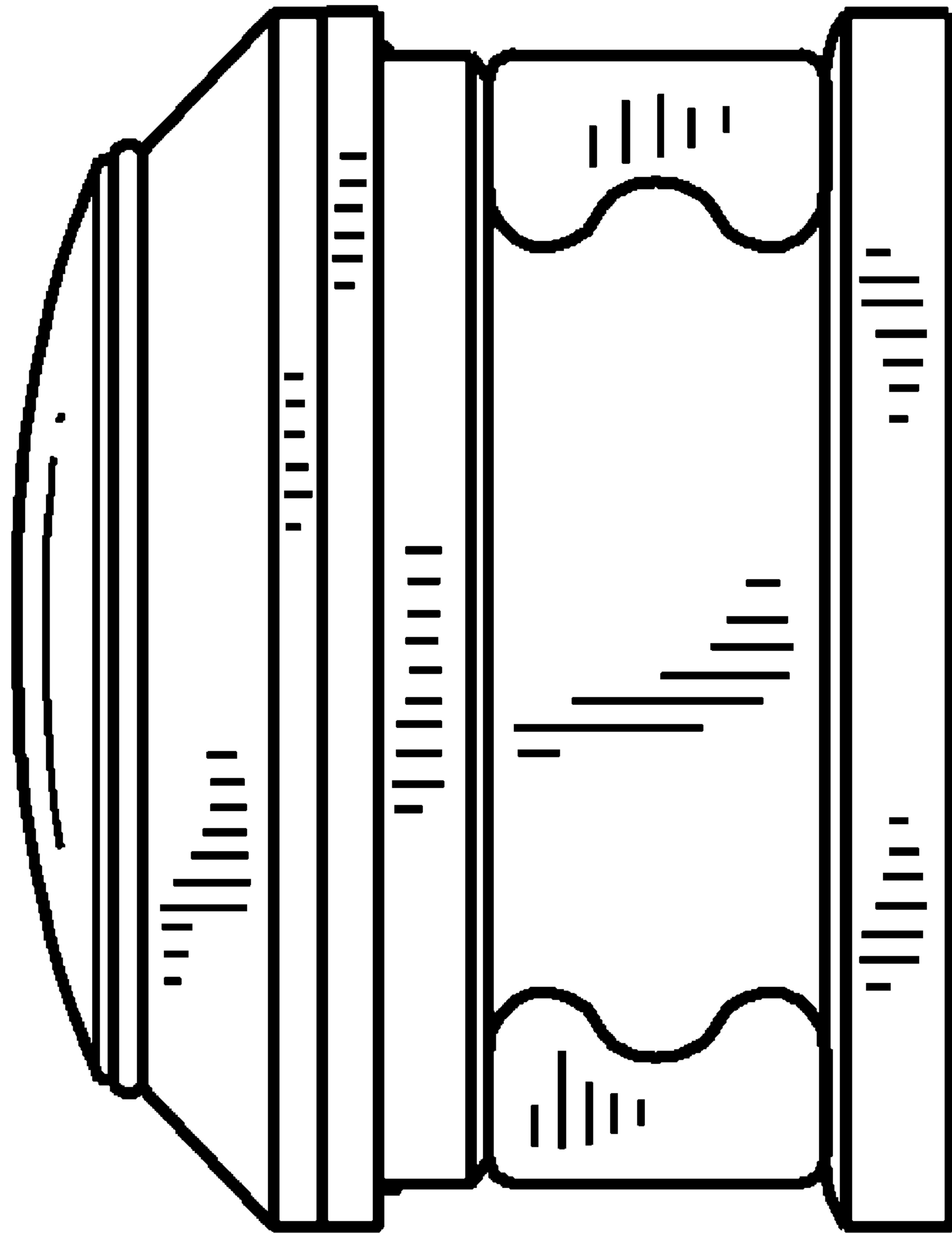


FIG. 4

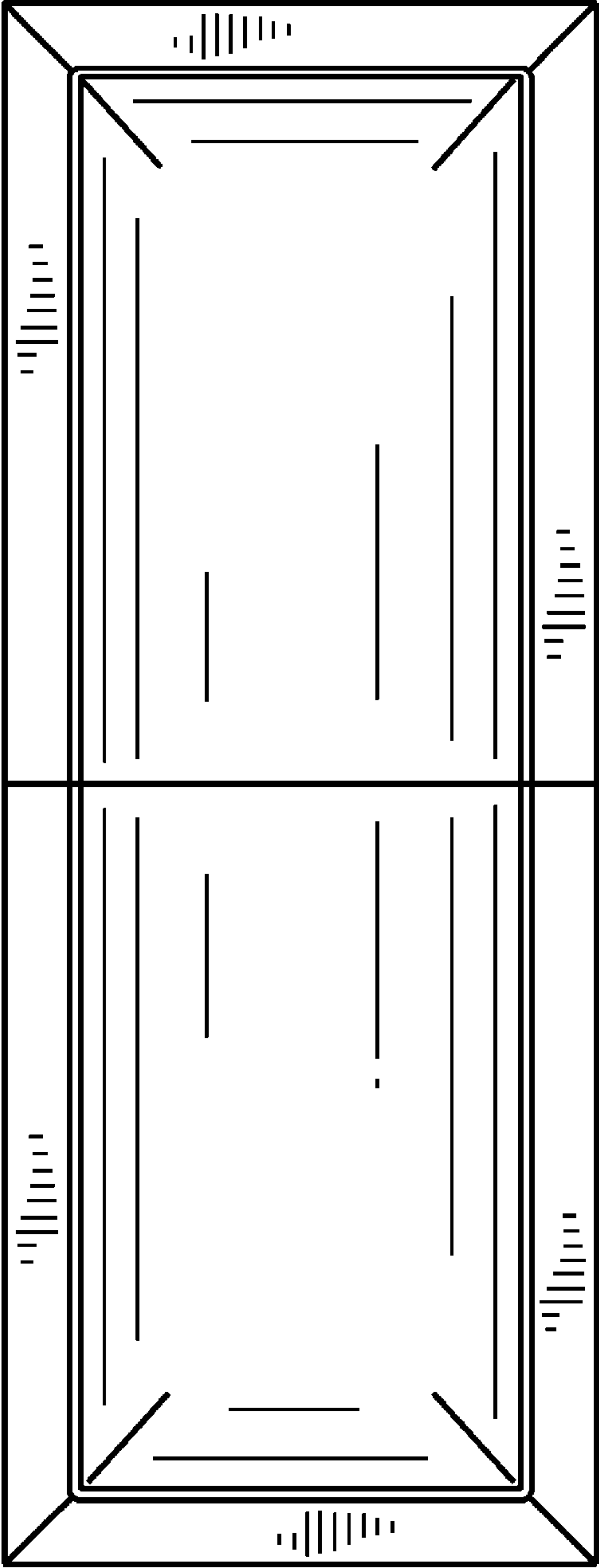


FIG. 5

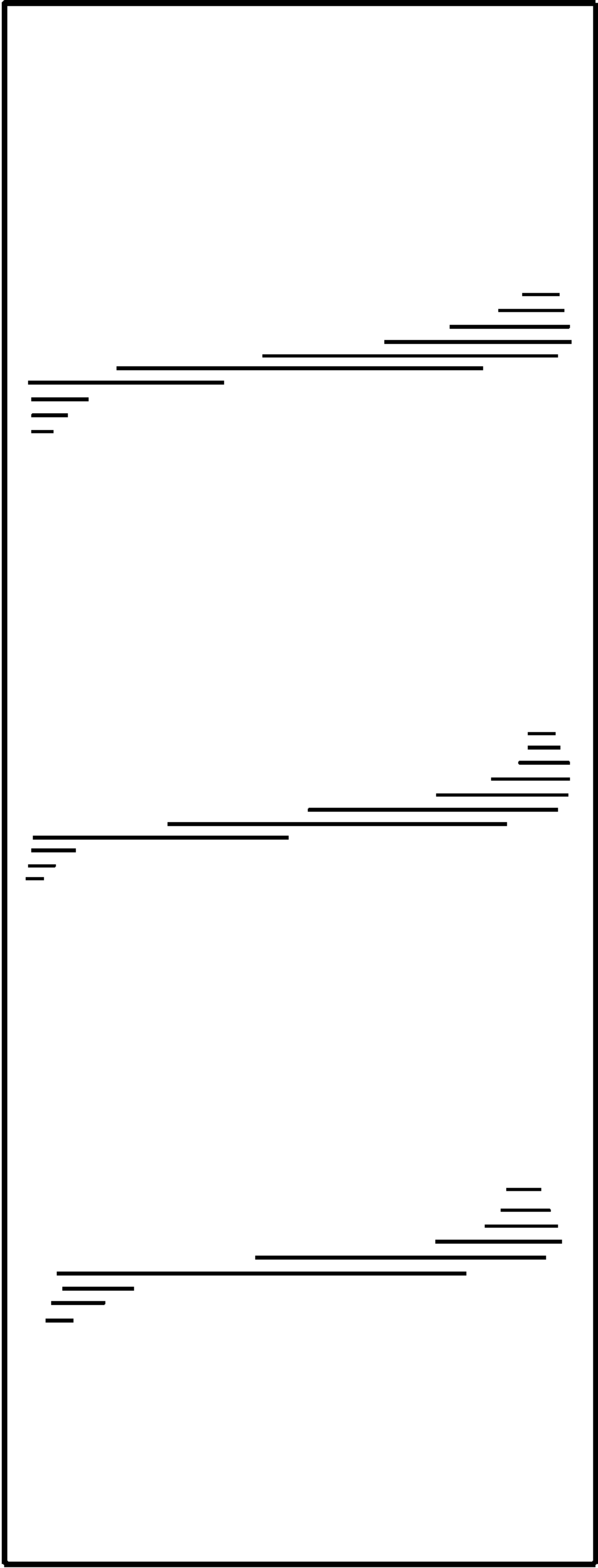


FIG. 6

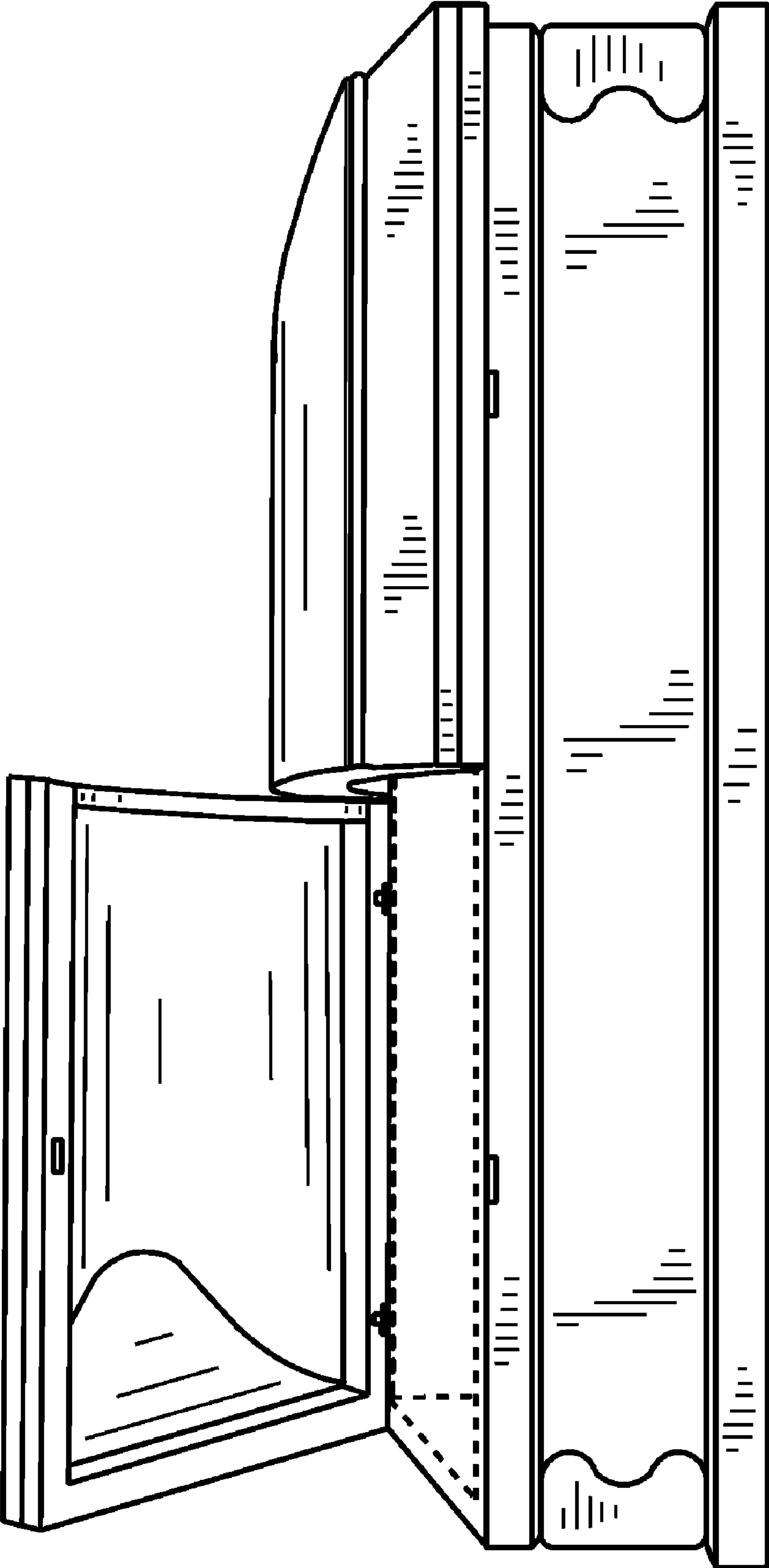


FIG. 7