



US00D641944S

(12) **United States Design Patent**  
**Zhou**

(10) **Patent No.:** **US D641,944 S**

(45) **Date of Patent:** **\*\* Jul. 19, 2011**

(54) **CRANE**

(76) Inventor: **Haoliang Zhou, Zhejiang (CN)**

(\*\*) Term: **14 Years**

(21) Appl. No.: **29/380,942**

(22) Filed: **Dec. 14, 2010**

(51) **LOC (9) Cl.** ..... **12-05**

(52) **U.S. Cl.** ..... **D34/33**

(58) **Field of Classification Search** ..... D34/28,  
D34/31, 33; 254/2 R, 8 R, 8 B; 414/785,  
414/11

See application file for complete search history.

(56) **References Cited**

**U.S. PATENT DOCUMENTS**

D163,230 S *	5/1951	Stratton	.....	D34/34
4,508,233 A *	4/1985	Helms	.....	212/294
4,925,039 A *	5/1990	Macris	.....	212/294

5,082,127 A *	1/1992	Huang	.....	212/299
D376,240 S *	12/1996	Finnigan et al.	.....	D34/33
D465,635 S *	11/2002	Hong	.....	D34/33
D613,022 S *	3/2010	Laursen	.....	D34/23
2006/0208240 A1 *	9/2006	Spittle et al.	.....	254/8 B

\* cited by examiner

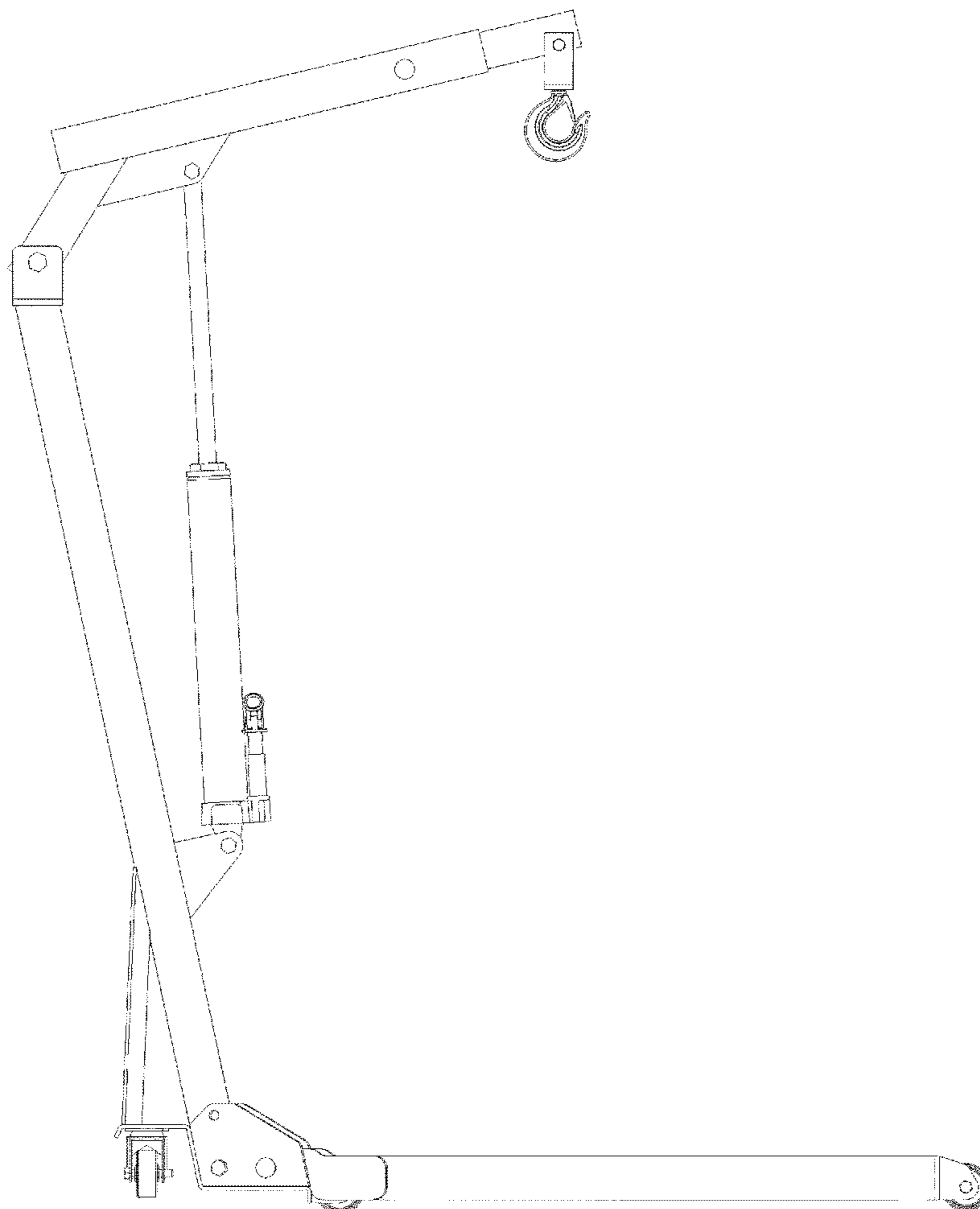
*Primary Examiner* — Cynthia Ramirez

(57) **CLAIM**  
The ornamental design for a crane, as shown.

**DESCRIPTION**

FIG. 1 is a front elevational view of a crane showing my new design;  
FIG. 2 is a rear elevational view thereof;  
FIG. 3 is a left side view thereof;  
FIG. 4 is a right side view thereof;  
FIG. 5 is a top plan view thereof;  
FIG. 6 is a bottom plan view thereof; and,  
FIG. 7 is a perspective view thereof.

**1 Claim, 6 Drawing Sheets**



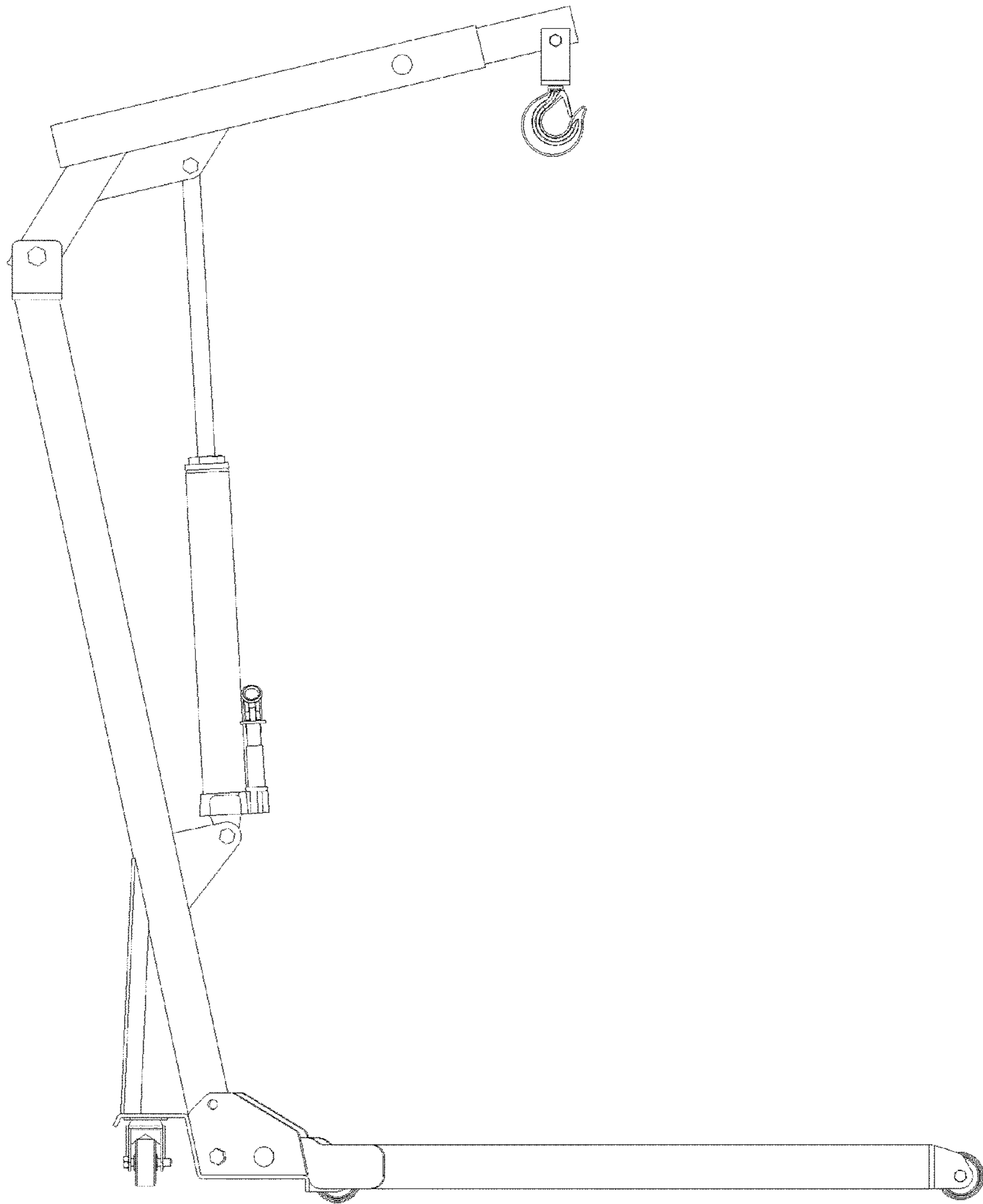


FIG. 1

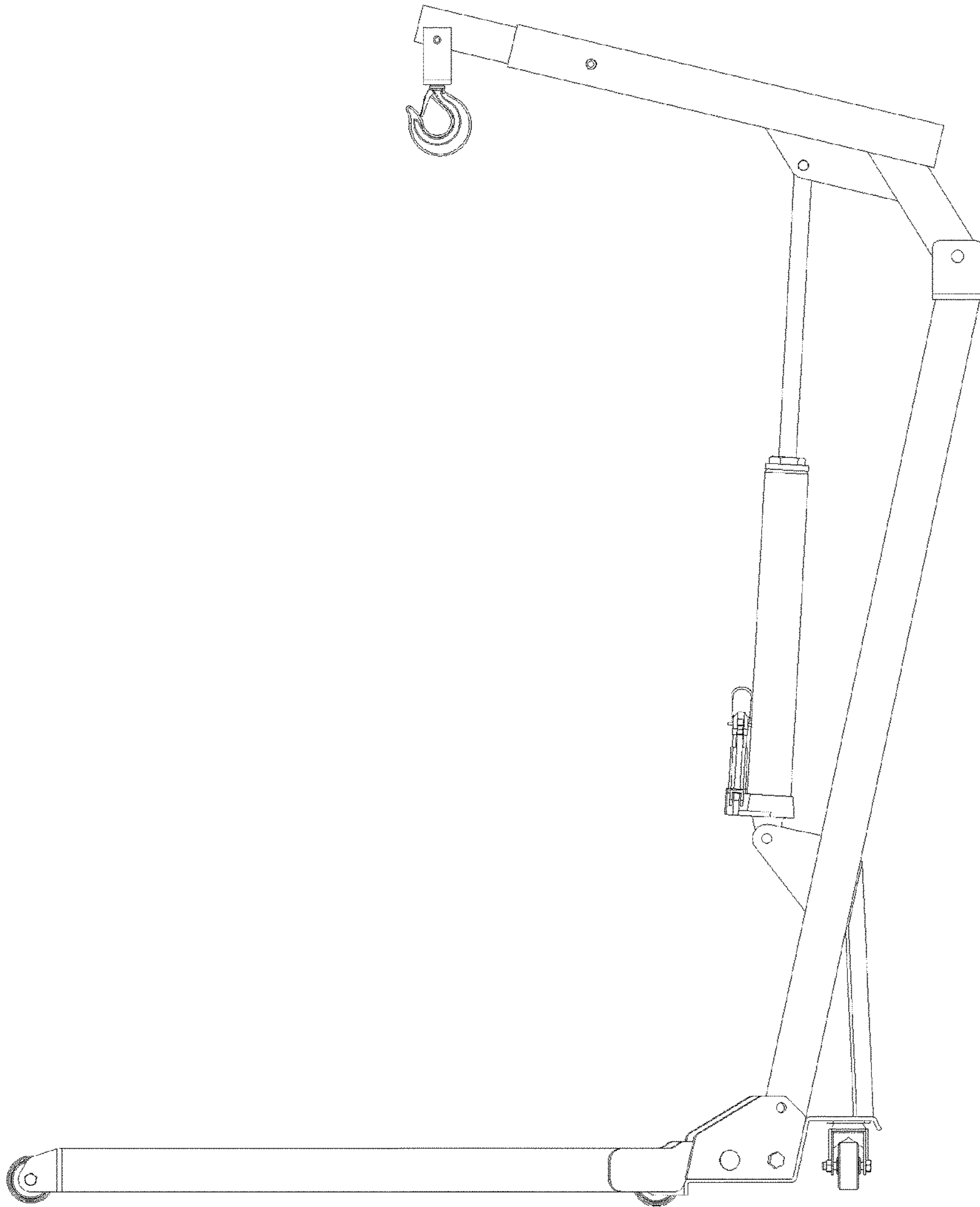


FIG. 2

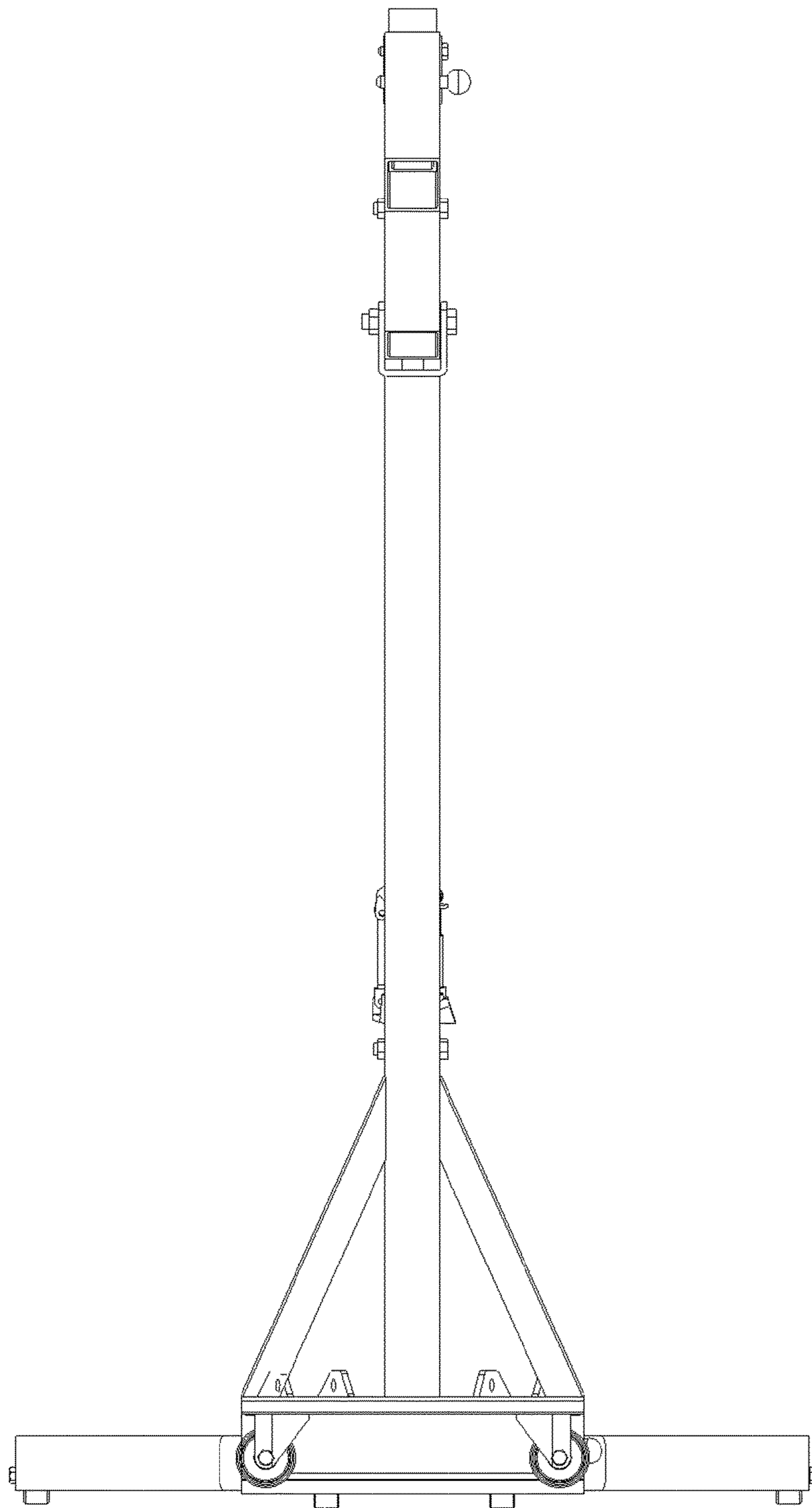


FIG. 3

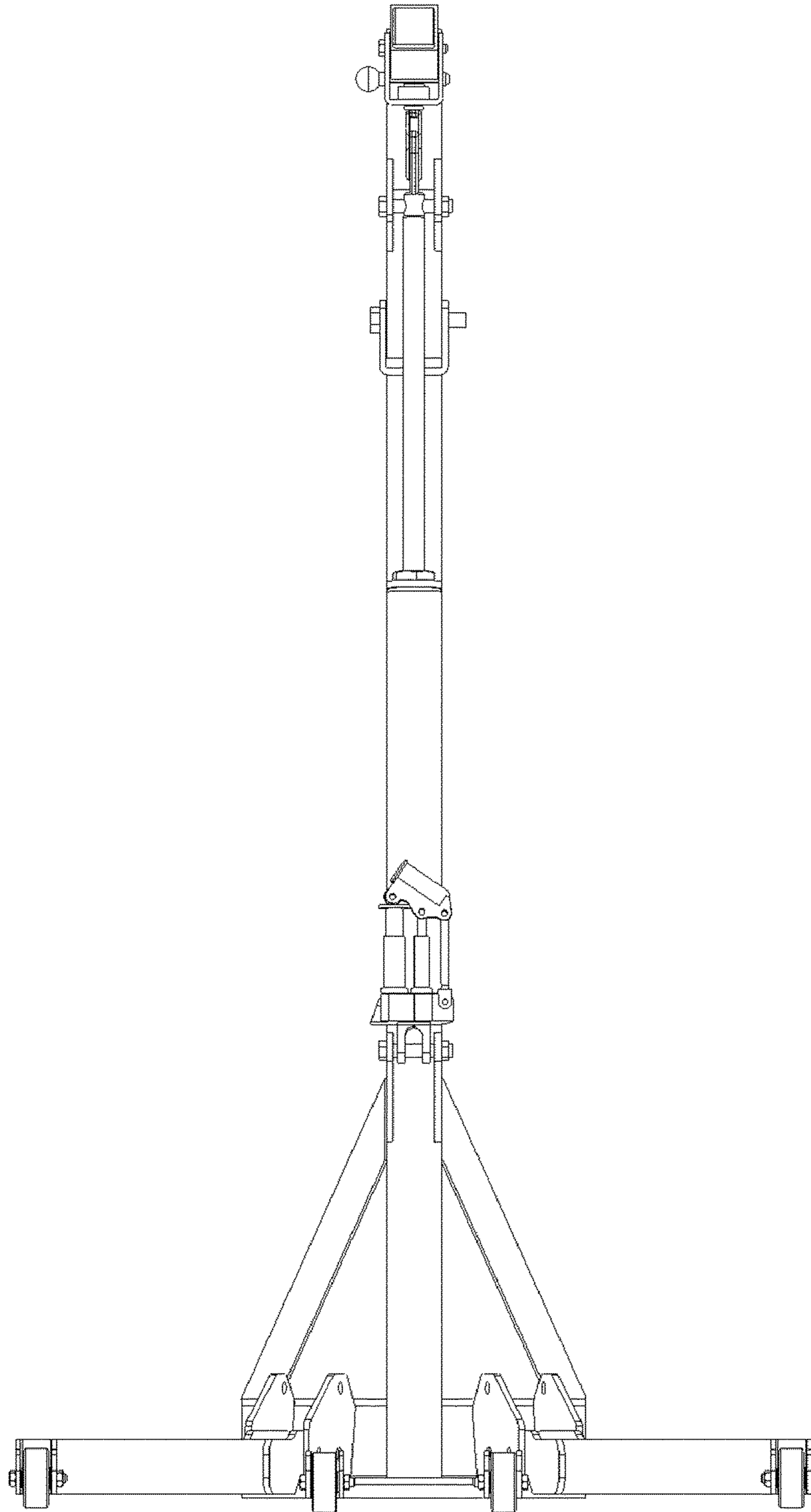


FIG. 4

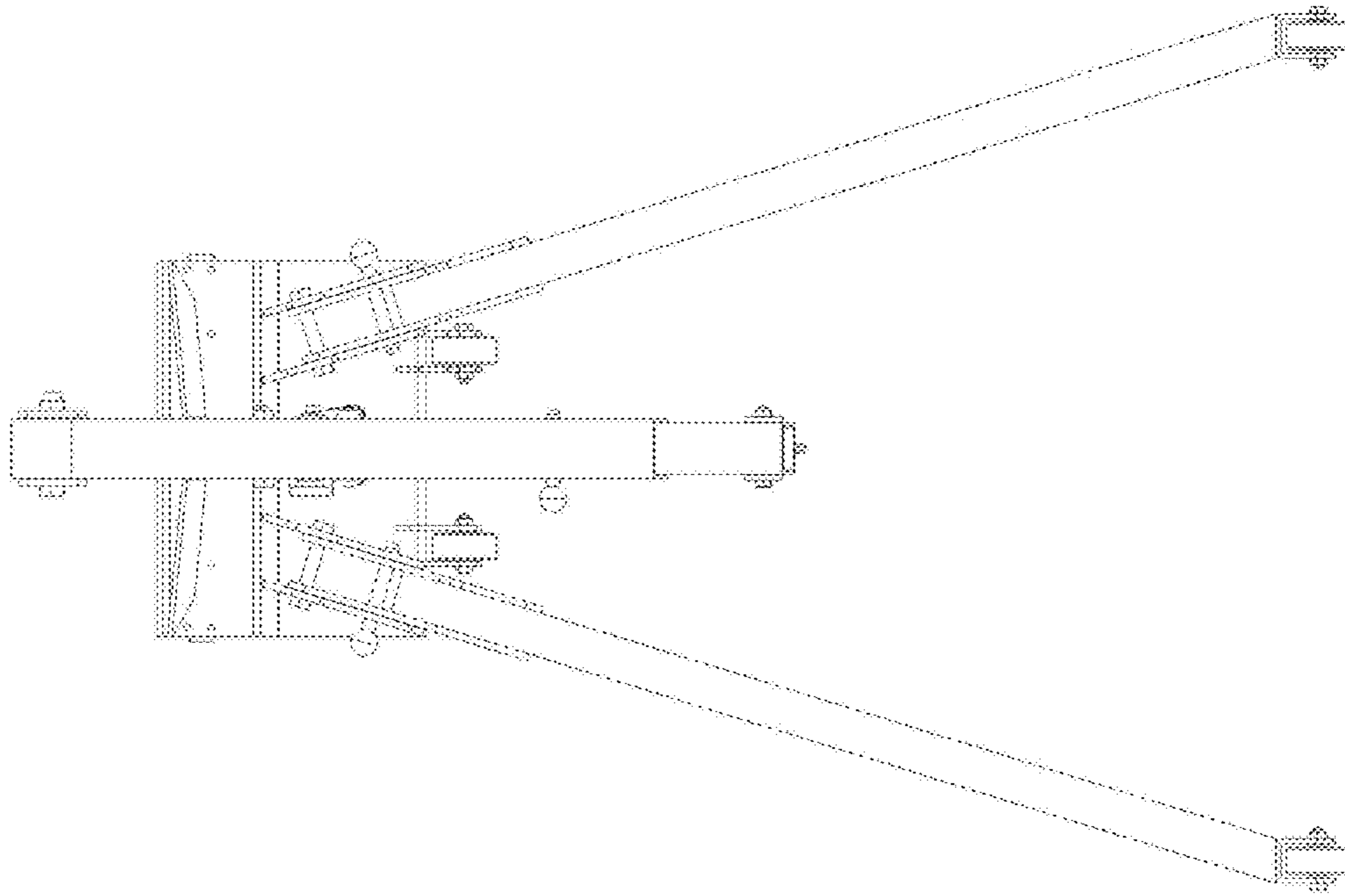


FIG. 5

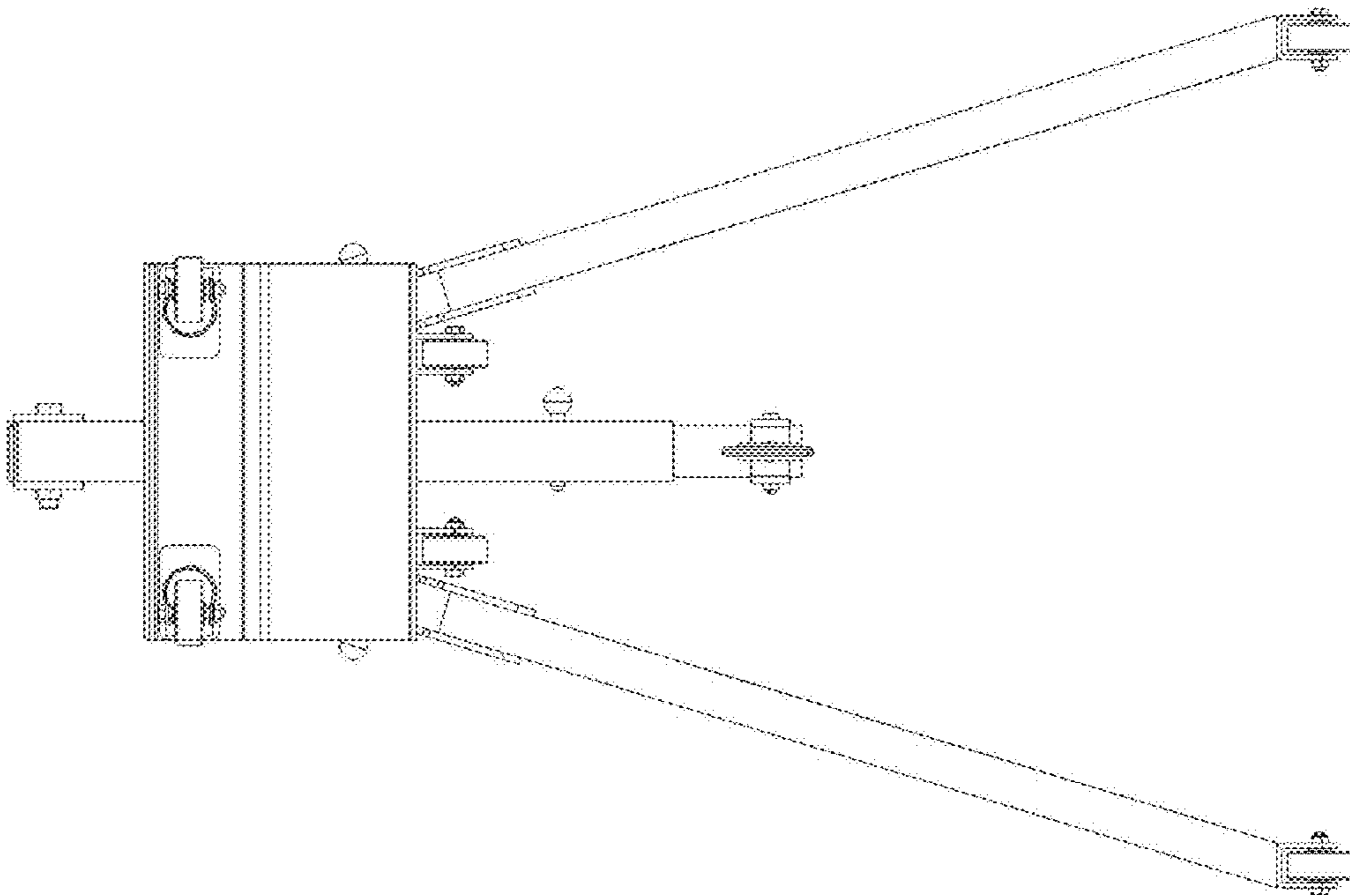


FIG. 6

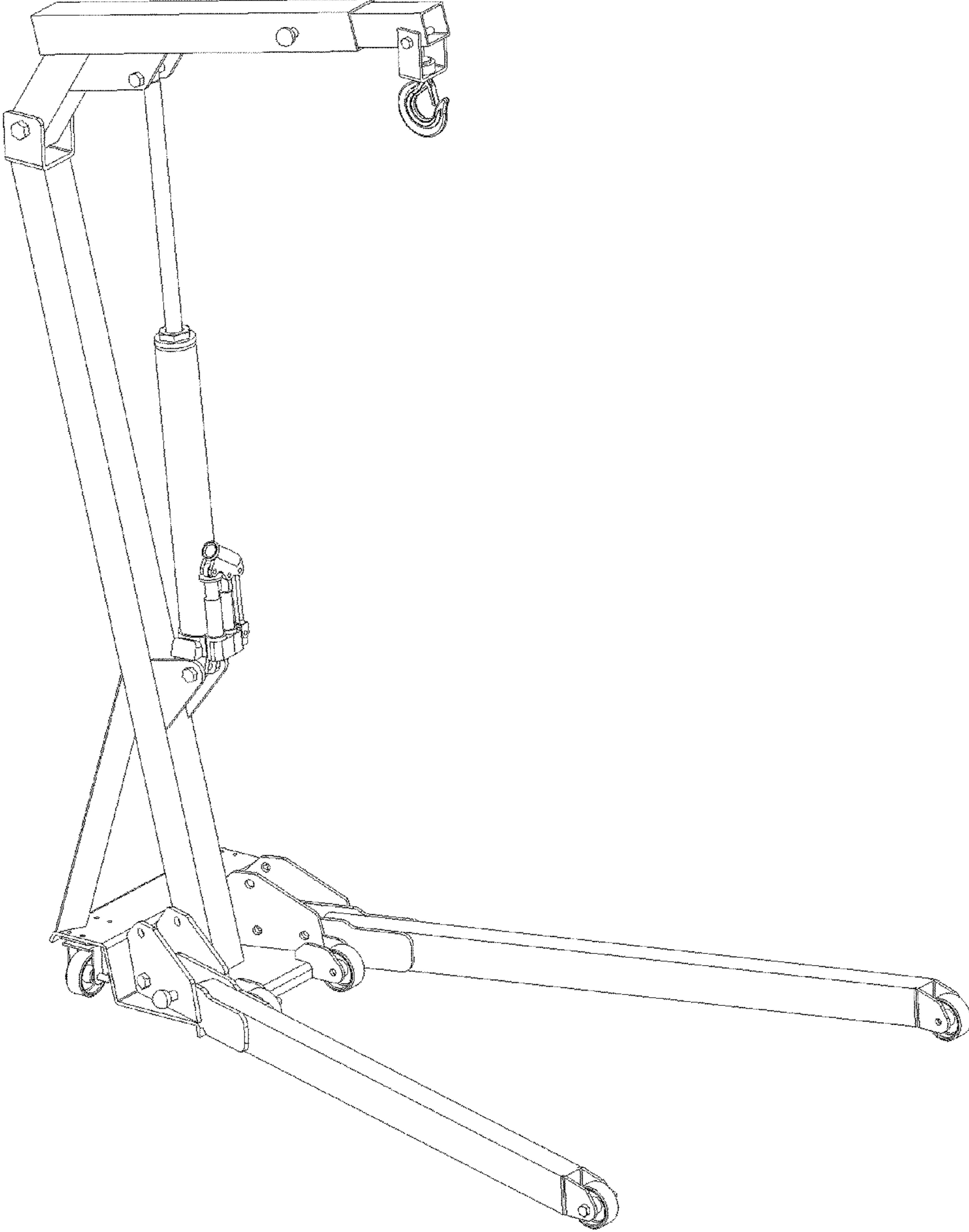


FIG. 7