



US00D641943S

(12) **United States Design Patent**  
**Willshere et al.**

(10) **Patent No.:** **US D641,943 S**  
(45) **Date of Patent:** **\*\* Jul. 19, 2011**

(54) **PRODUCTION LINE ASSEMBLY AND  
MODULE**

(75) Inventors: **Jeffrey R. Willshere**, Dorset (GB);  
**Richard Murray**, Dorset (GB)

(73) Assignee: **DEK International GmbH**, Zurich  
(CH)

(\*\*) Term: **14 Years**

(21) Appl. No.: **29/346,541**

(22) Filed: **Nov. 2, 2009**

**Related U.S. Application Data**

(63) Continuation of application No. 29/333,993, filed on  
Mar. 18, 2009, now abandoned.

(51) **LOC (9) Cl.** ..... **12-05**

(52) **U.S. Cl.** ..... **D34/29**

(58) **Field of Classification Search** ..... D34/29,  
D34/35, 28; 198/831, 834, 835, 838, 842,  
198/845, 619; 104/93, 106, 107; 105/150

See application file for complete search history.

(56) **References Cited**

U.S. PATENT DOCUMENTS

D193,551 S *	9/1962	Golden .....	D34/29
D358,922 S *	5/1995	Kawai .....	D34/29
D371,667 S *	7/1996	Poole .....	D34/29
D379,019 S *	4/1997	Hubbard .....	D34/29
D388,924 S *	1/1998	Glaun .....	D34/29
D620,670 S *	7/2010	Airaksinen .....	D34/29
2004/0089188 A1 *	5/2004	Lechner et al. ....	104/93

\* cited by examiner

*Primary Examiner* — Cynthia Ramirez

(74) *Attorney, Agent, or Firm* — Renner, Otto, Boisselle &  
Sklar, LLP

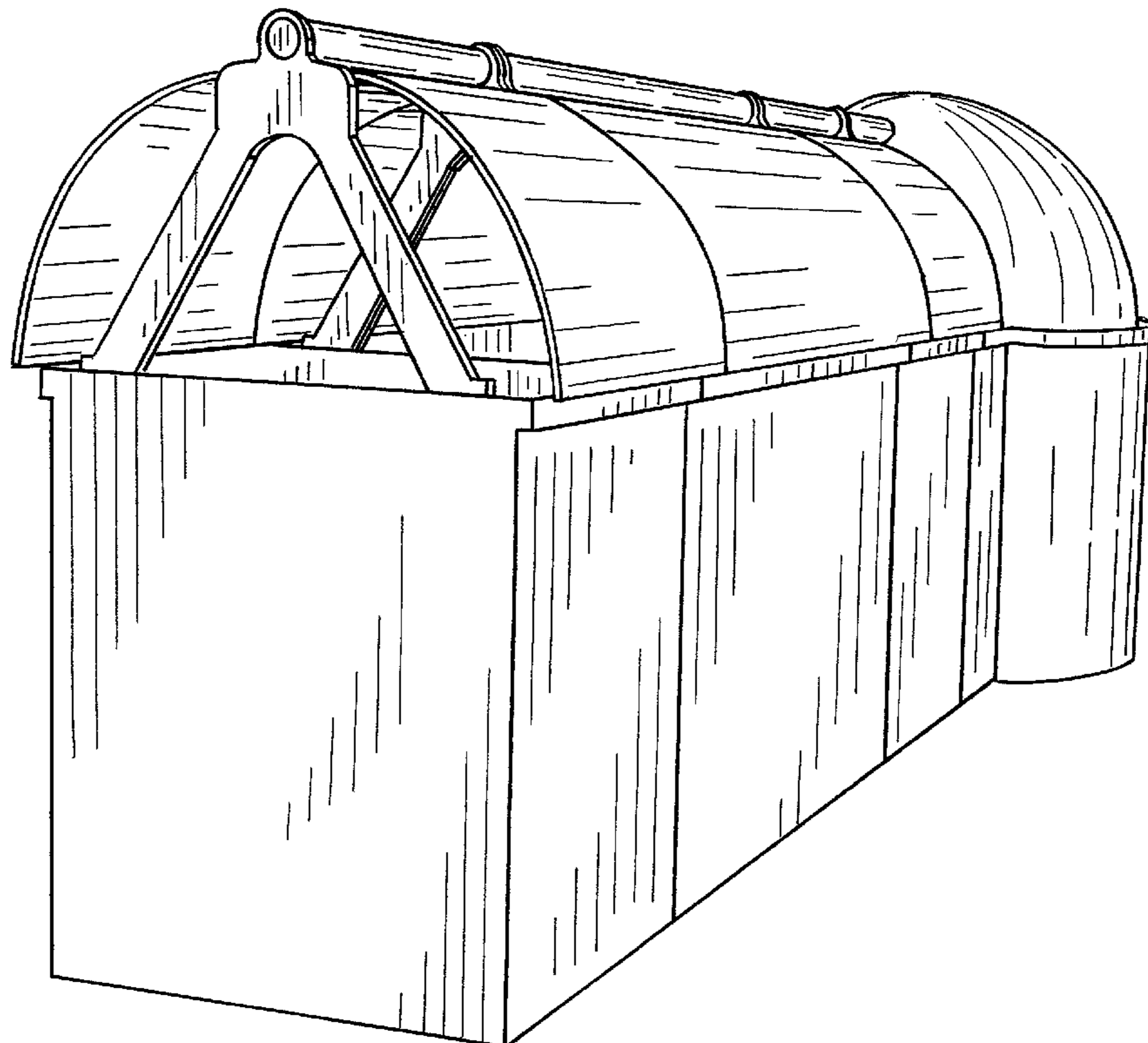
(57) **CLAIM**

The ornamental design for a production line assembly and  
module, as shown and described.

**DESCRIPTION**

FIG. 1 is a side perspective view of a production line assembly  
and module showing our new design;  
FIG. 2 is perspective view from the other side thereof;  
FIG. 3 is an end elevation view thereof;  
FIG. 4 is an elevational view of the other end;  
FIG. 5 is an elevational side view, the other side being a mirror  
image thereof; and,  
FIG. 6 is a top plan view thereof.

**1 Claim, 6 Drawing Sheets**



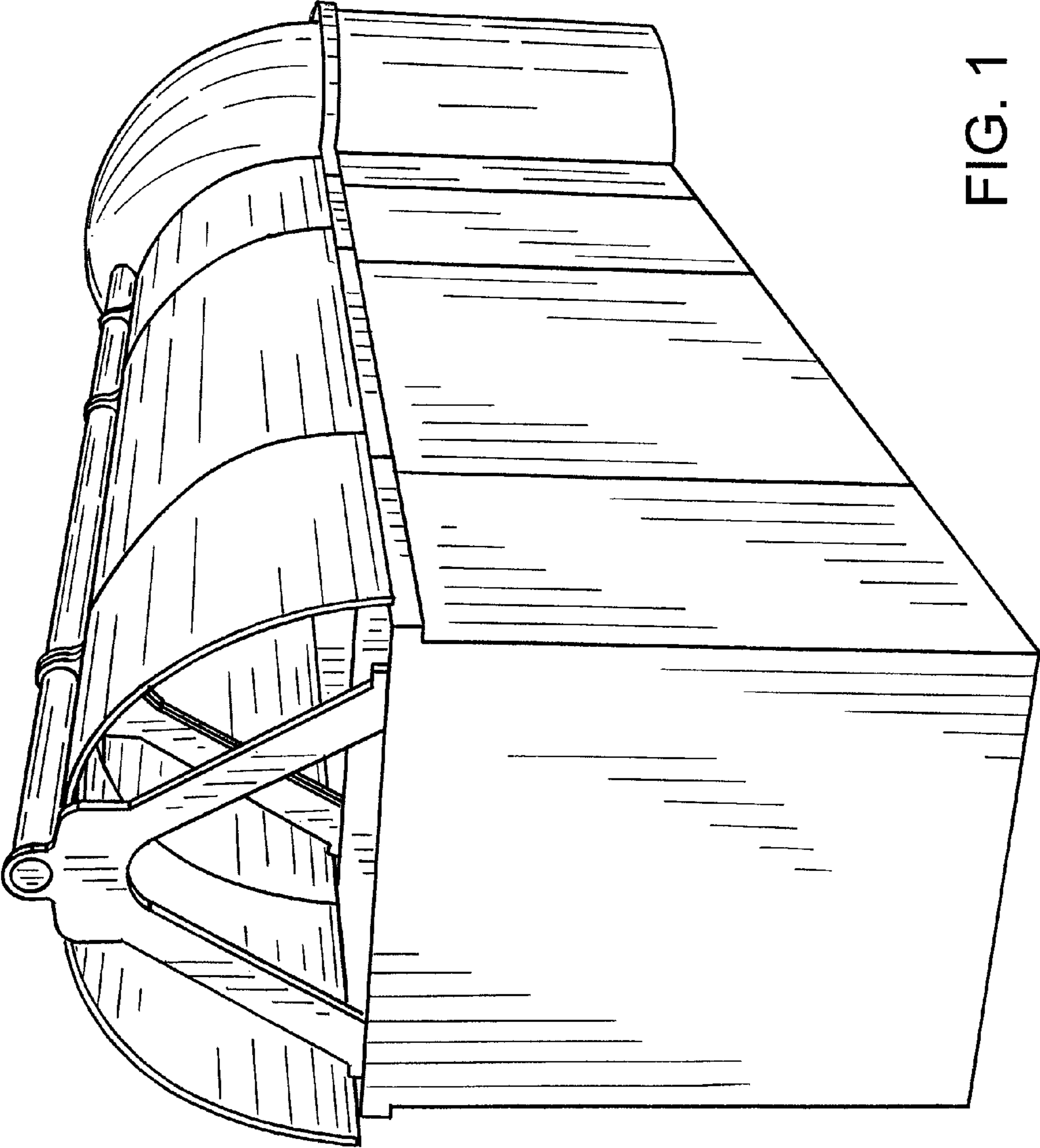


FIG. 1

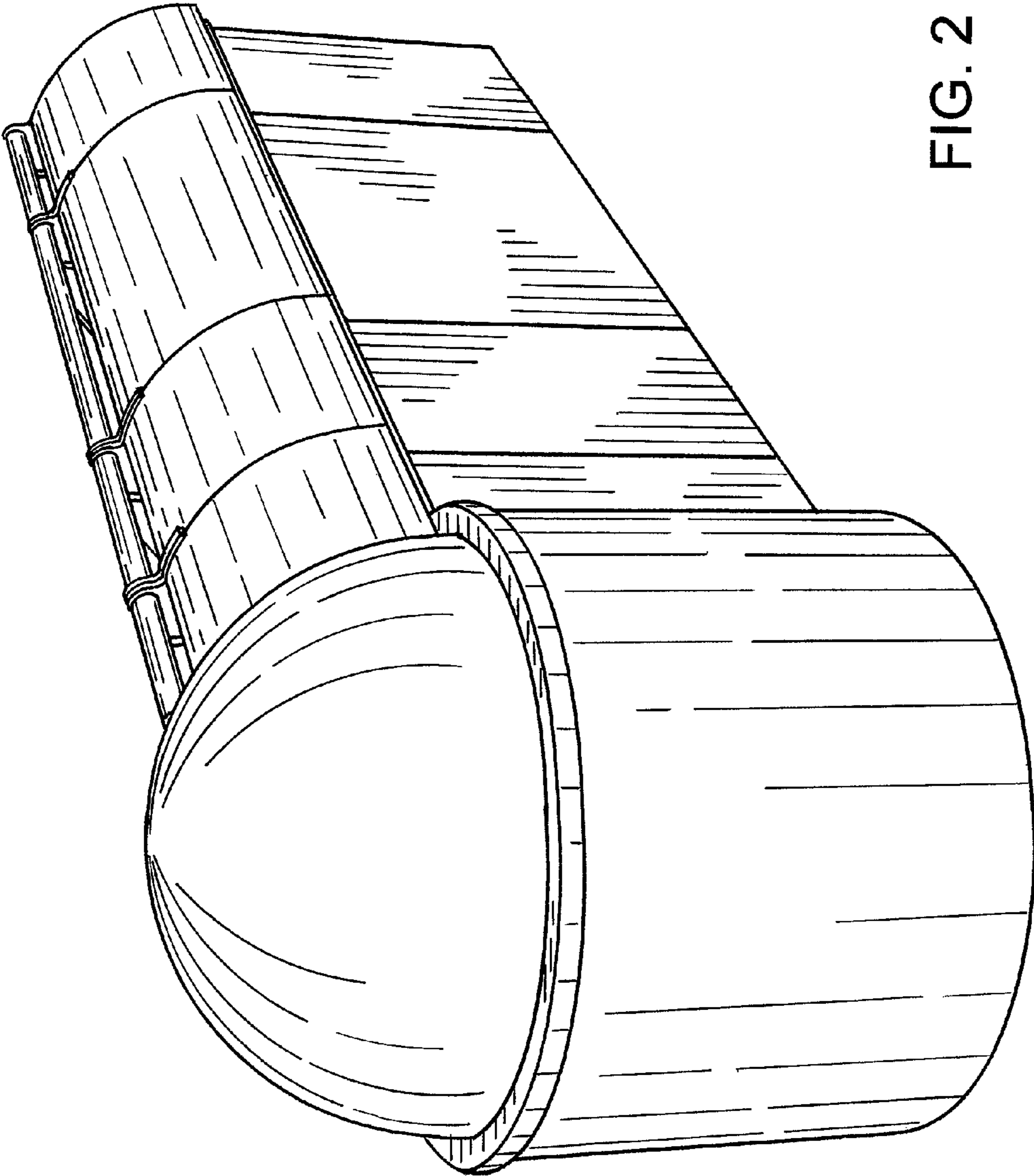


FIG. 2

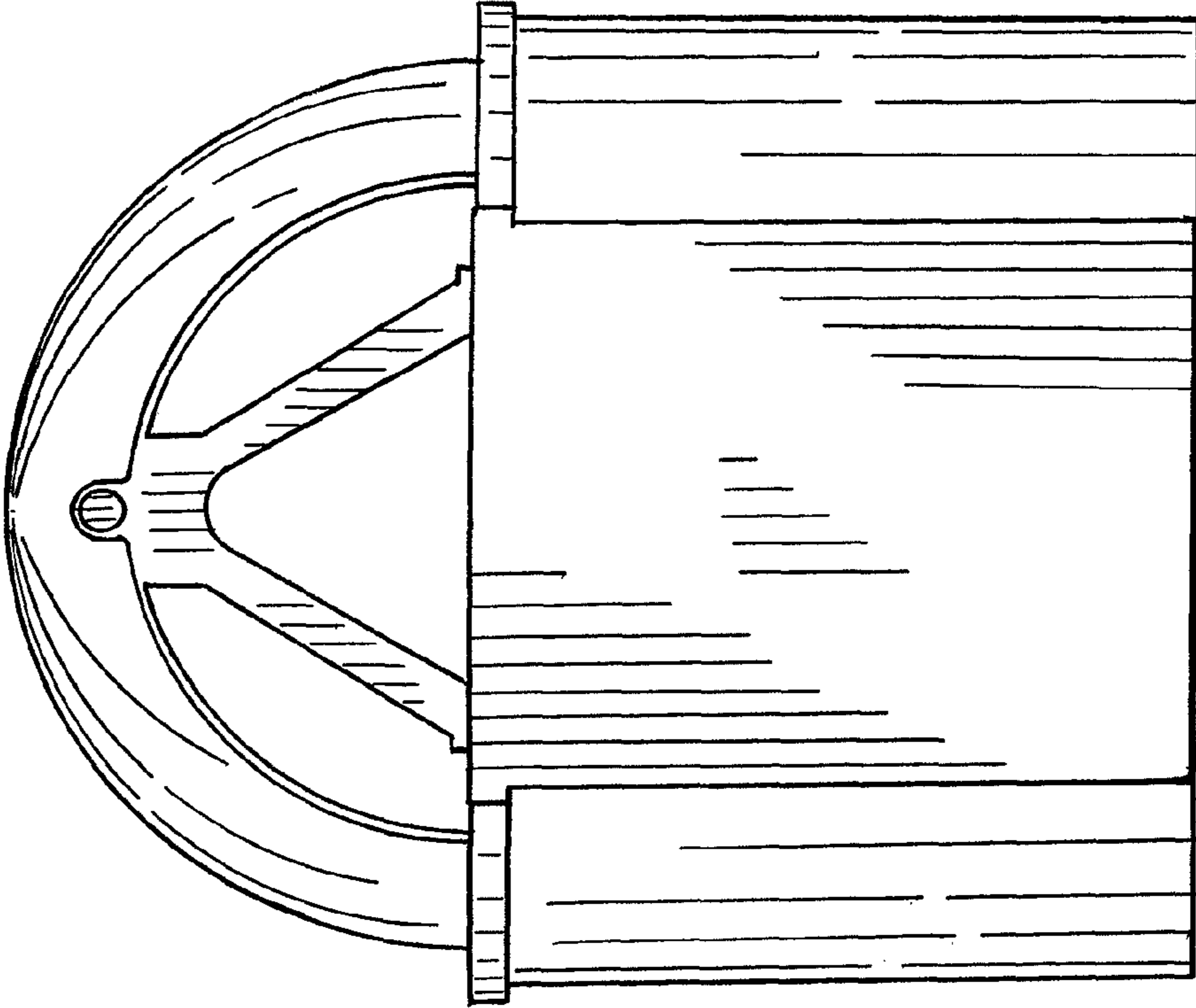


FIG. 3

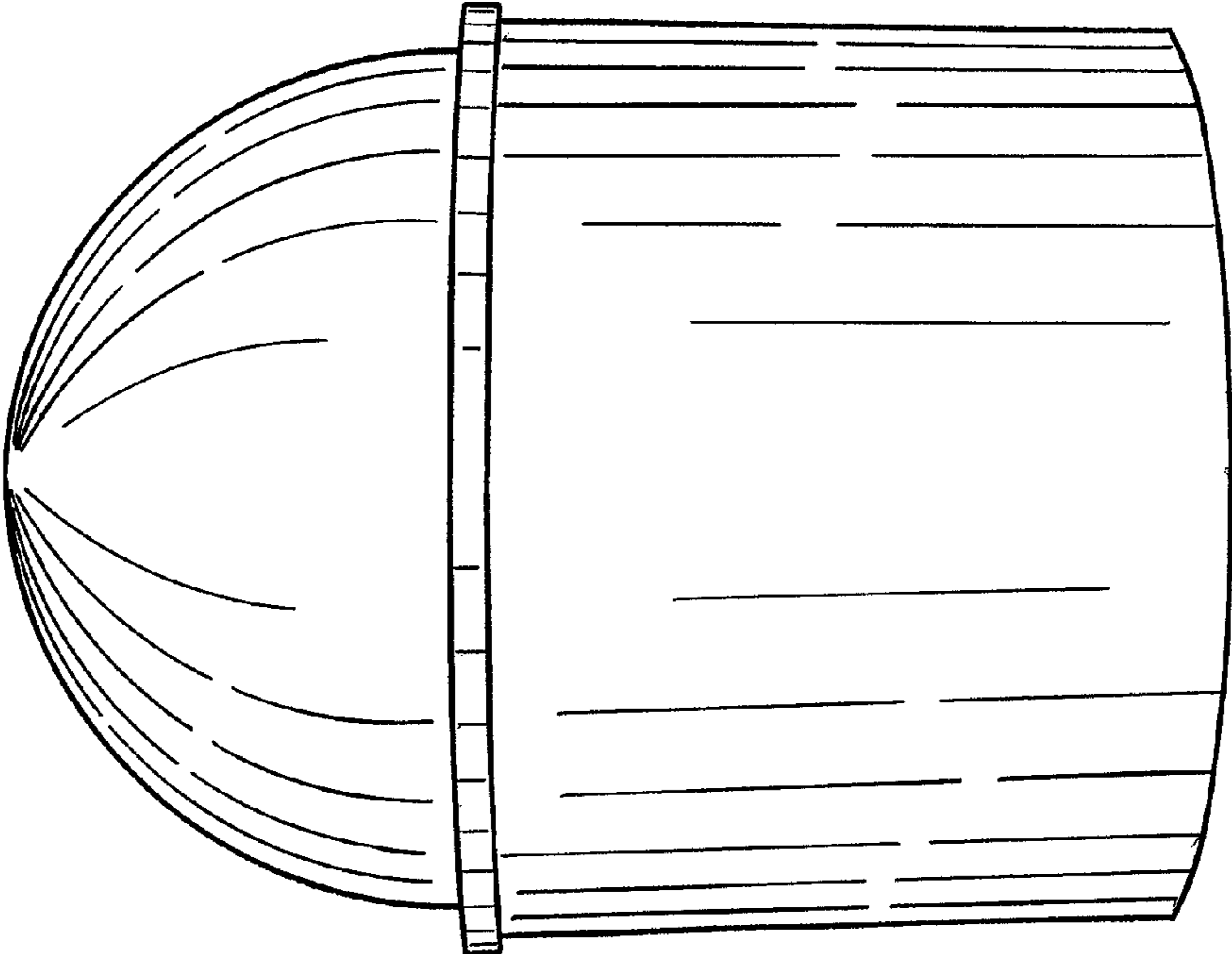


FIG. 4

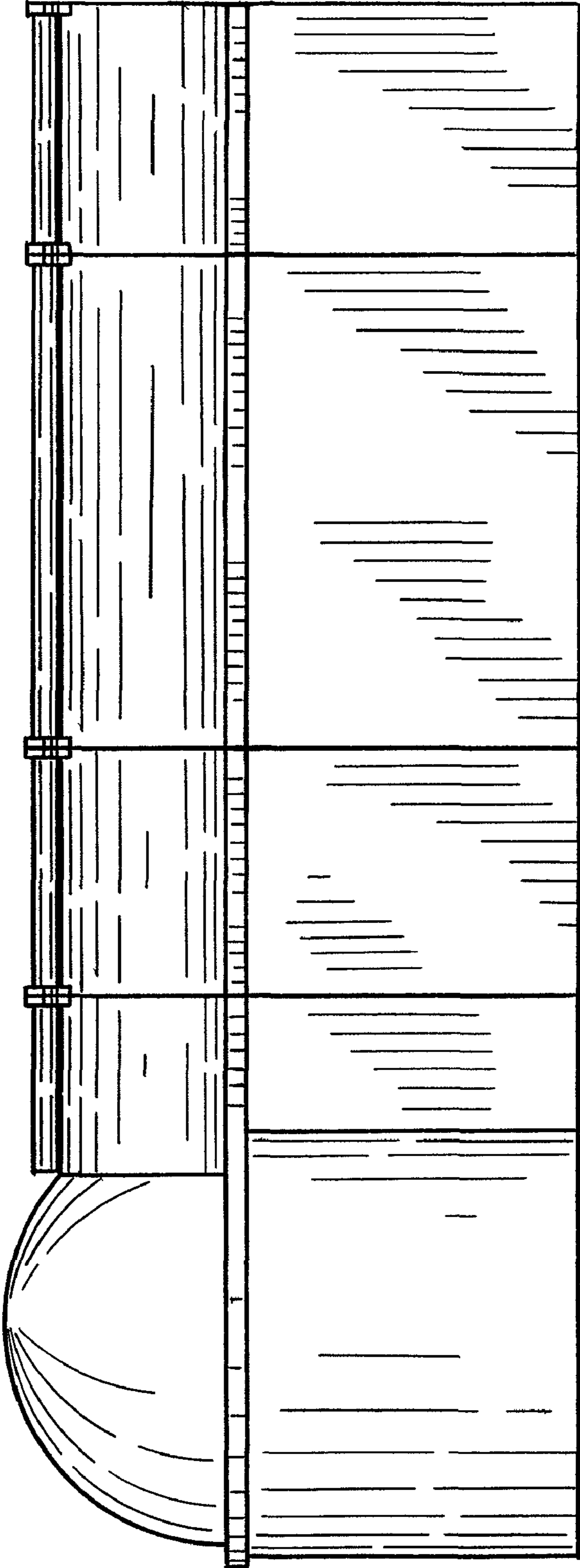


FIG. 5

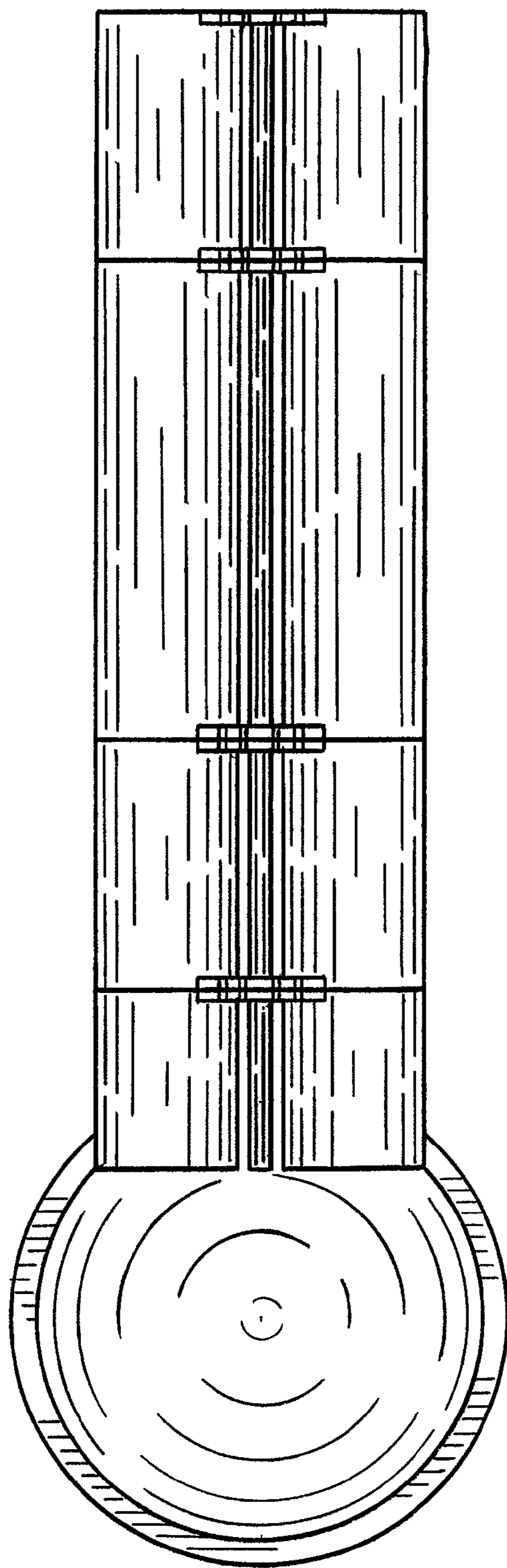


FIG. 6