



US00D641941S

(12) **United States Design Patent**
Boeder et al.

(10) **Patent No.:** **US D641,941 S**
(45) **Date of Patent:** **** Jul. 19, 2011**

- (54) **HANDLE FOR A ROBOT CART**
- (75) Inventors: **Ronald Boeder**, Livermore, CA (US);
Thin Le, Fremont, CA (US); **Megan Hohlfeld**, Santa Clara, CA (US)
- (73) Assignee: **Restoration Robotics, Inc.**, Mountain View, CA (US)
- (**) Term: **14 Years**
- (21) Appl. No.: **29/379,360**
- (22) Filed: **Nov. 18, 2010**
- (51) **LOC (9) Cl.** **12-02**
- (52) **U.S. Cl.** **D34/27**
- (58) **Field of Classification Search** D34/12-27;
280/33.991, 33.992, 33.993; 16/110.1, 111.1,
16/406; D8/300, 317, 314
See application file for complete search history.

- D424,267 S * 5/2000 Lin D34/24
- D462,496 S * 9/2002 Koppes et al. D34/27
- D621,121 S * 8/2010 Maatz et al. D34/27

* cited by examiner

Primary Examiner — Cynthia Ramirez

(74) *Attorney, Agent, or Firm* — Lena I. Vinitzkaya; Sharon Upham

(57) **CLAIM**

The ornamental design for a handle for a robot cart, as shown and described.

DESCRIPTION

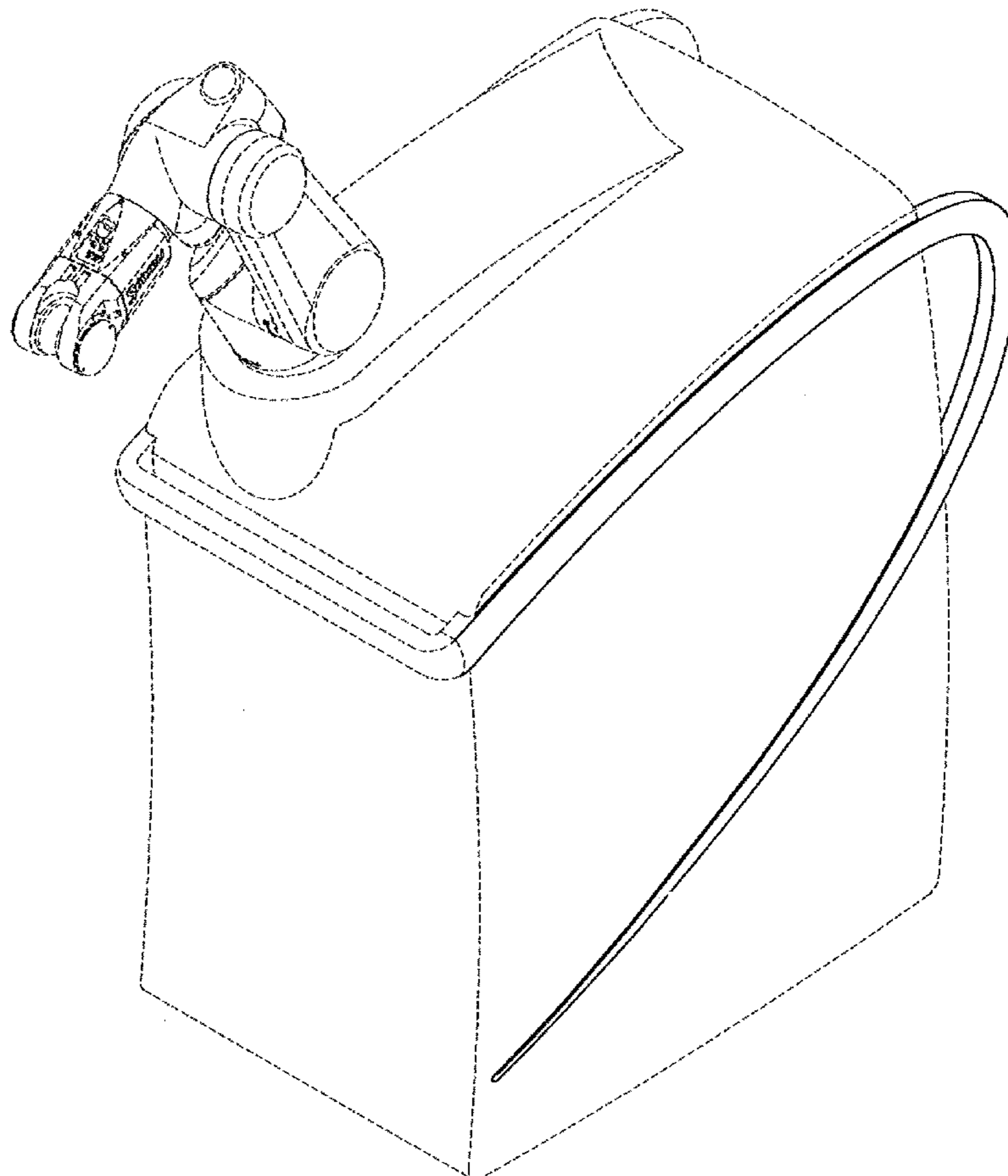
FIG. 1 is a perspective view of a robot cart embodying a handle according to our new design;
 FIG. 2 is a front view of the handle shown in FIG. 1;
 FIG. 3 is a back view of the handle shown in FIG. 1;
 FIG. 4 is a first side view of the handle shown in FIG. 1;
 FIG. 5 is a second side view of the handle shown in FIG. 1;
 FIG. 6 is a top view of the handle shown in FIG. 1; and,
 FIG. 7 is a bottom view of the handle shown in FIG. 1.
 The ornamental design which is claimed is shown in solid lines in the drawings. Any broken lines in the drawings are for illustrative purposes only and form no part of the claimed design.

(56) **References Cited**

U.S. PATENT DOCUMENTS

- D235,529 S * 6/1975 Salsgiver D34/21
- D362,528 S * 9/1995 Shannon et al. D34/21
- D391,031 S * 2/1998 Egan et al. D34/19

1 Claim, 7 Drawing Sheets



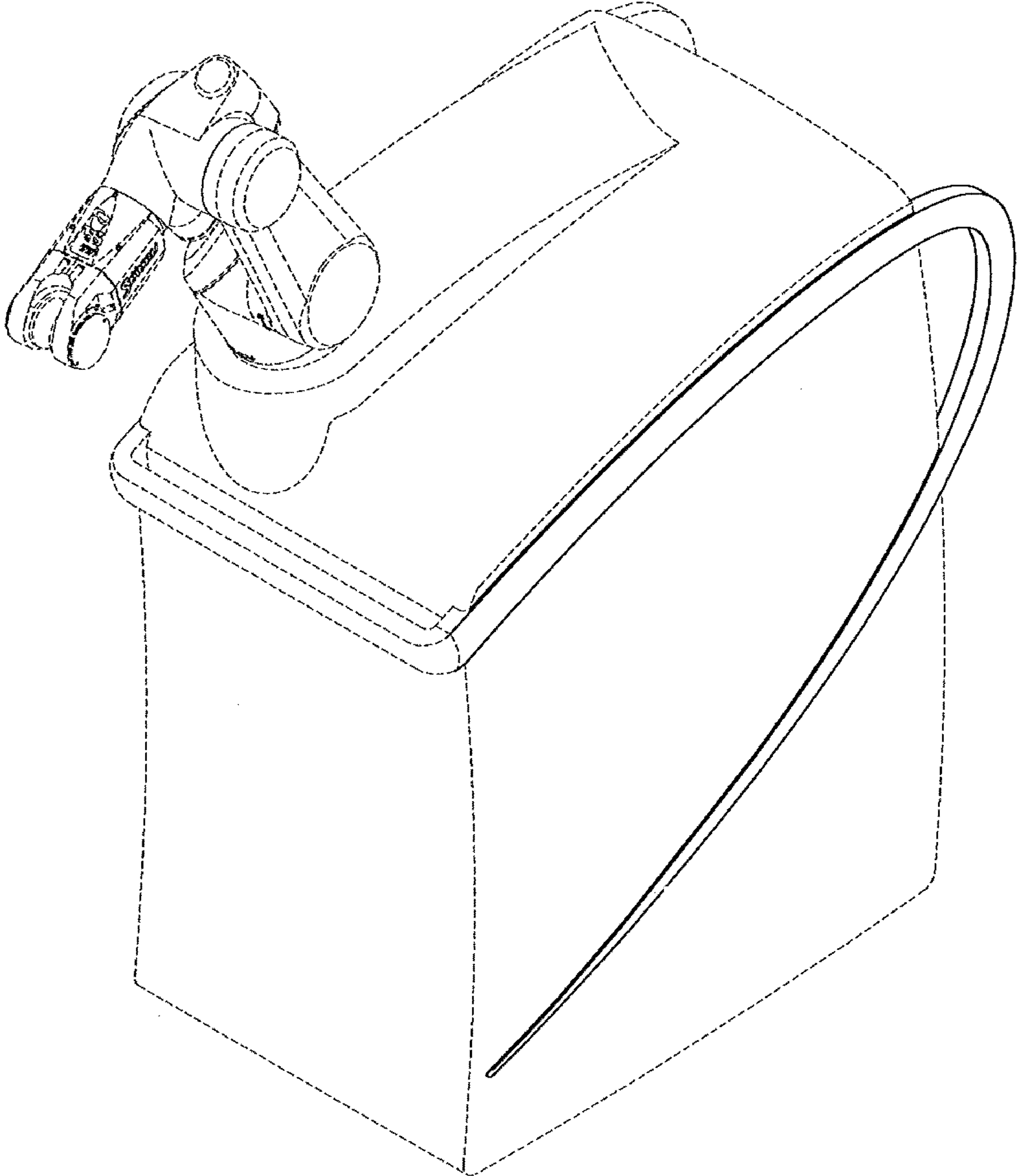


Figure 1

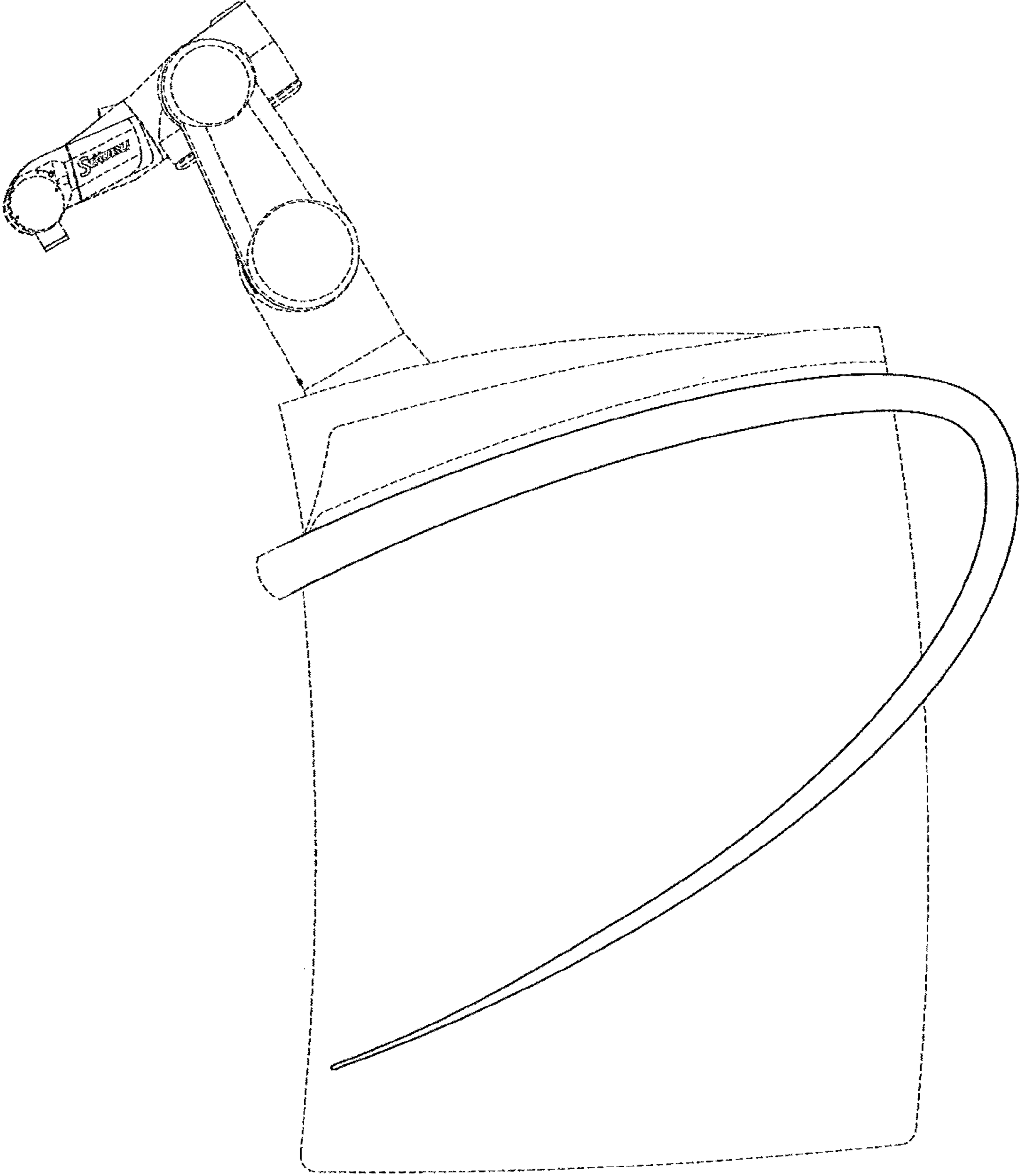


Figure 2

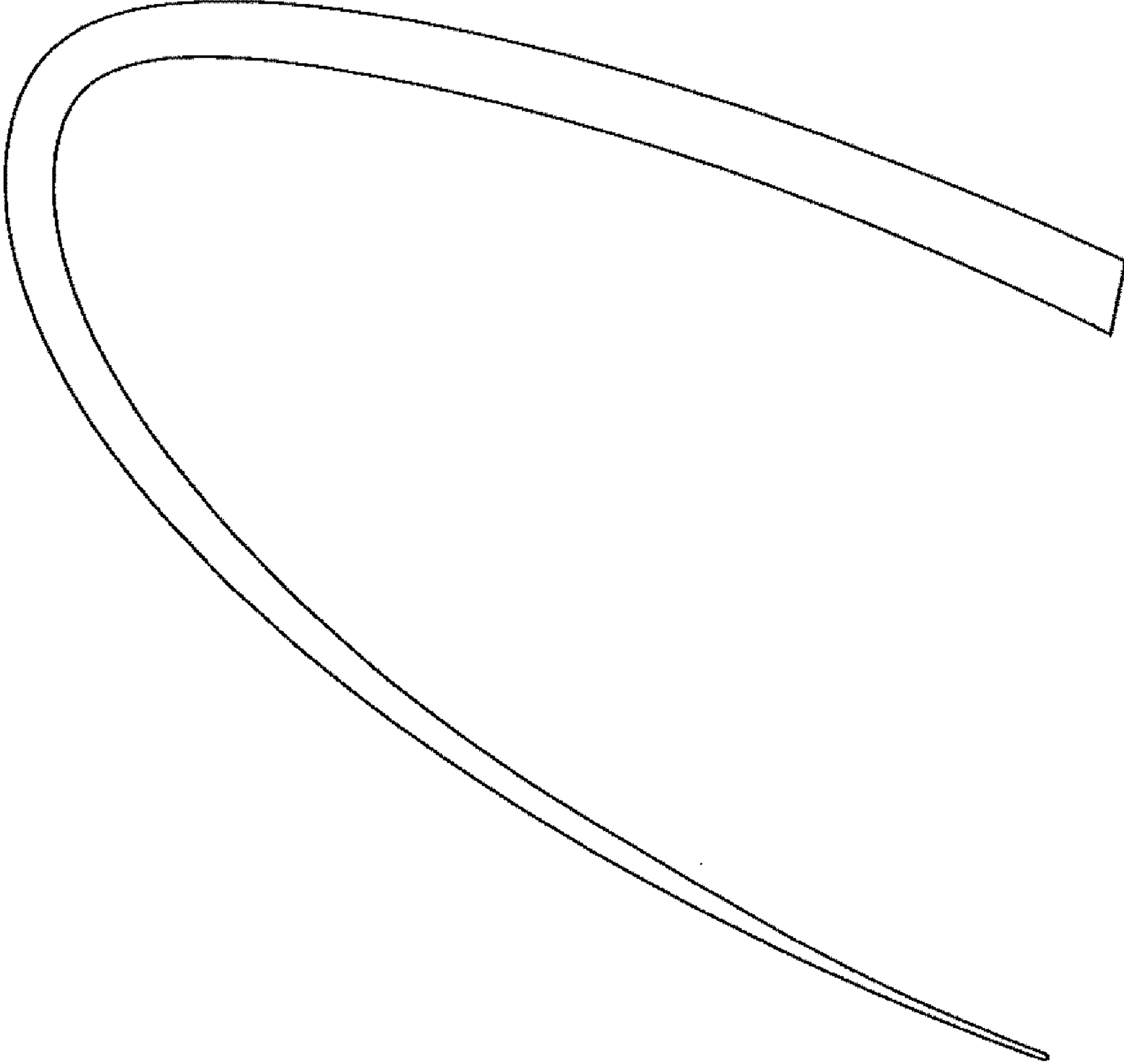


Figure 3

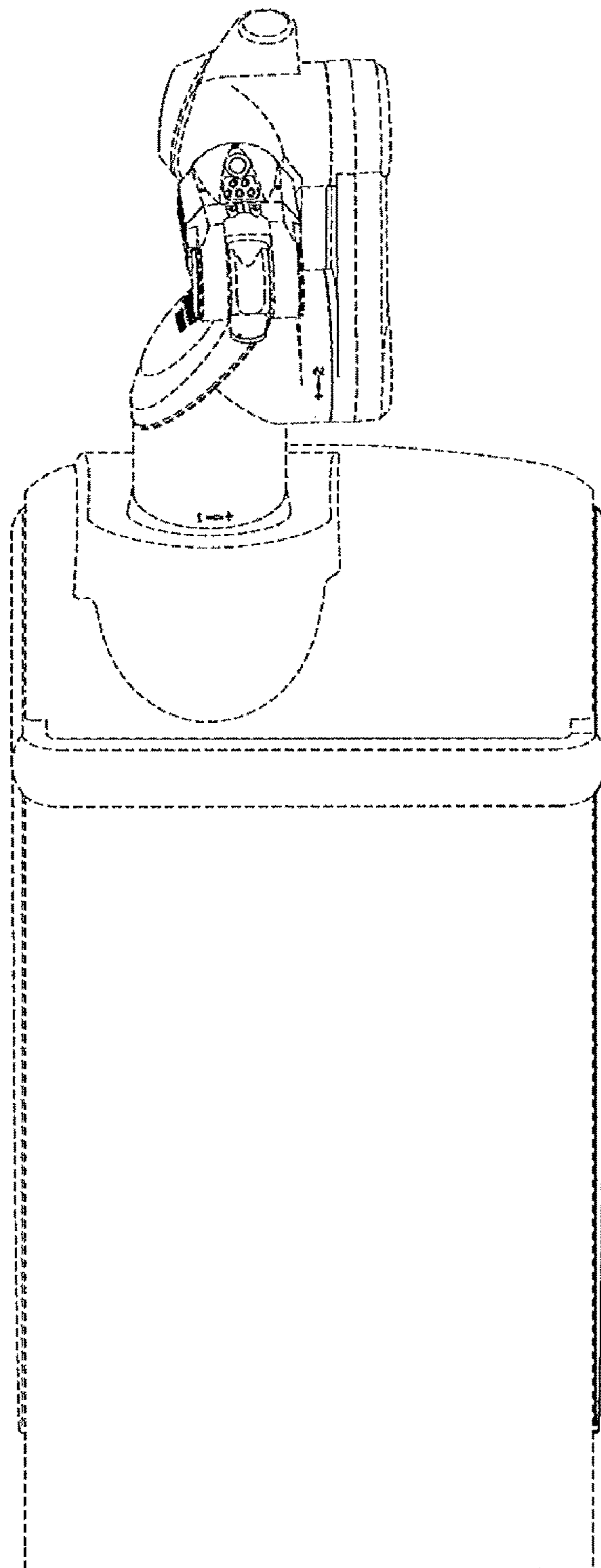


Figure 4

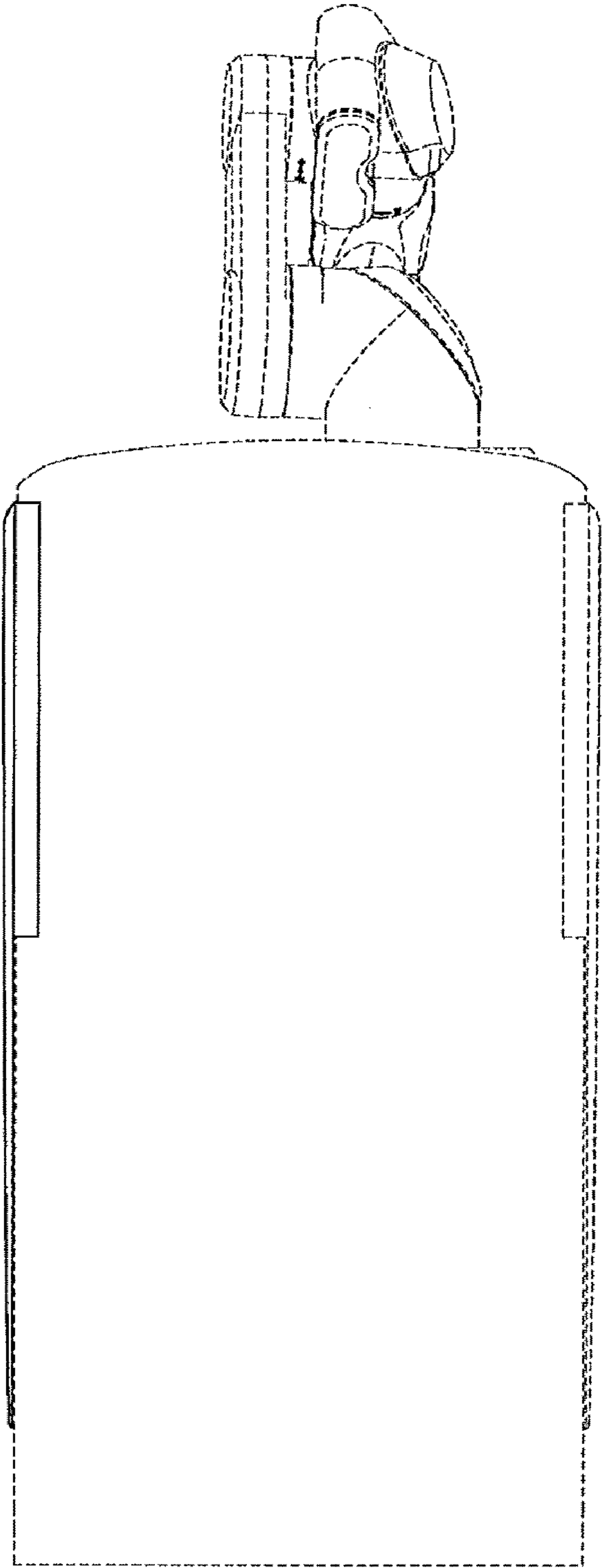


Figure 5

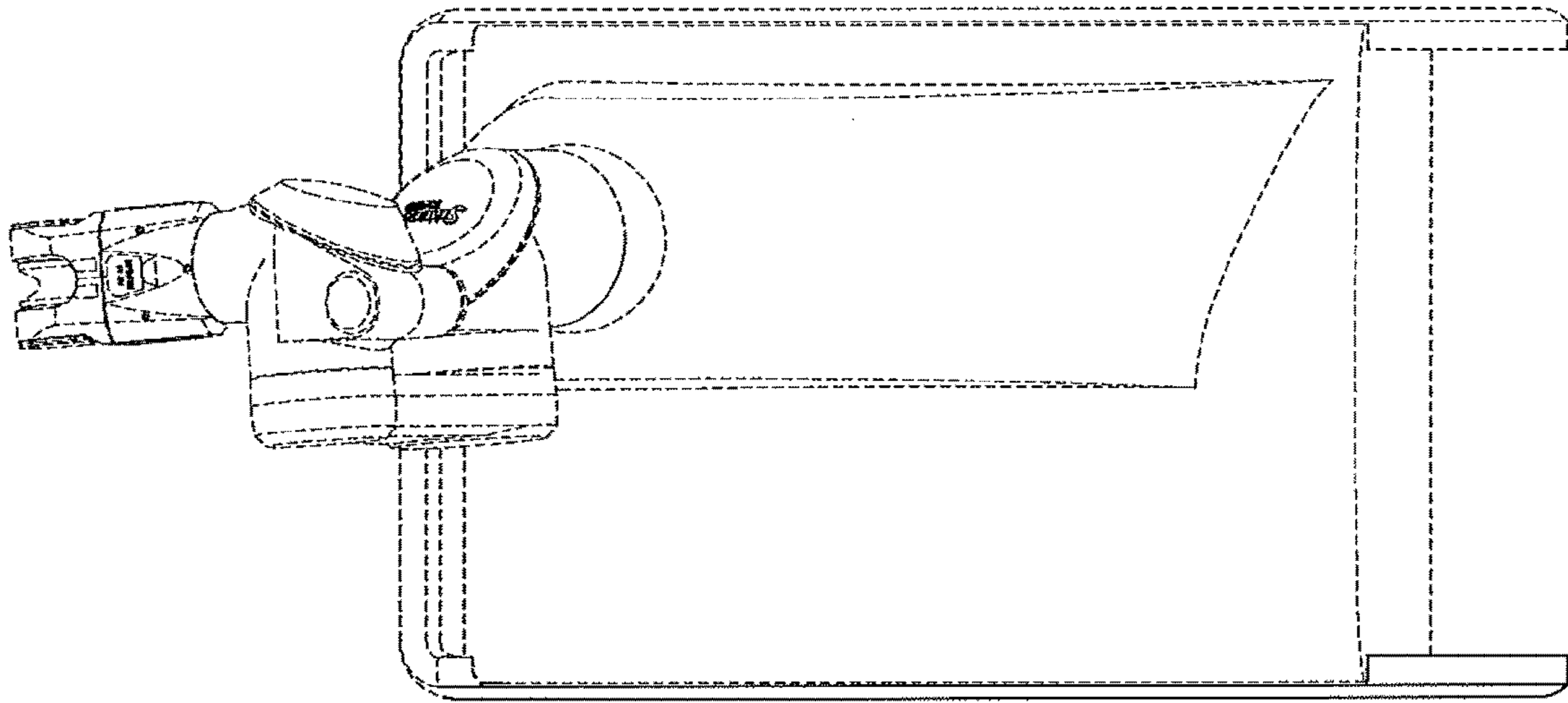


Figure 6

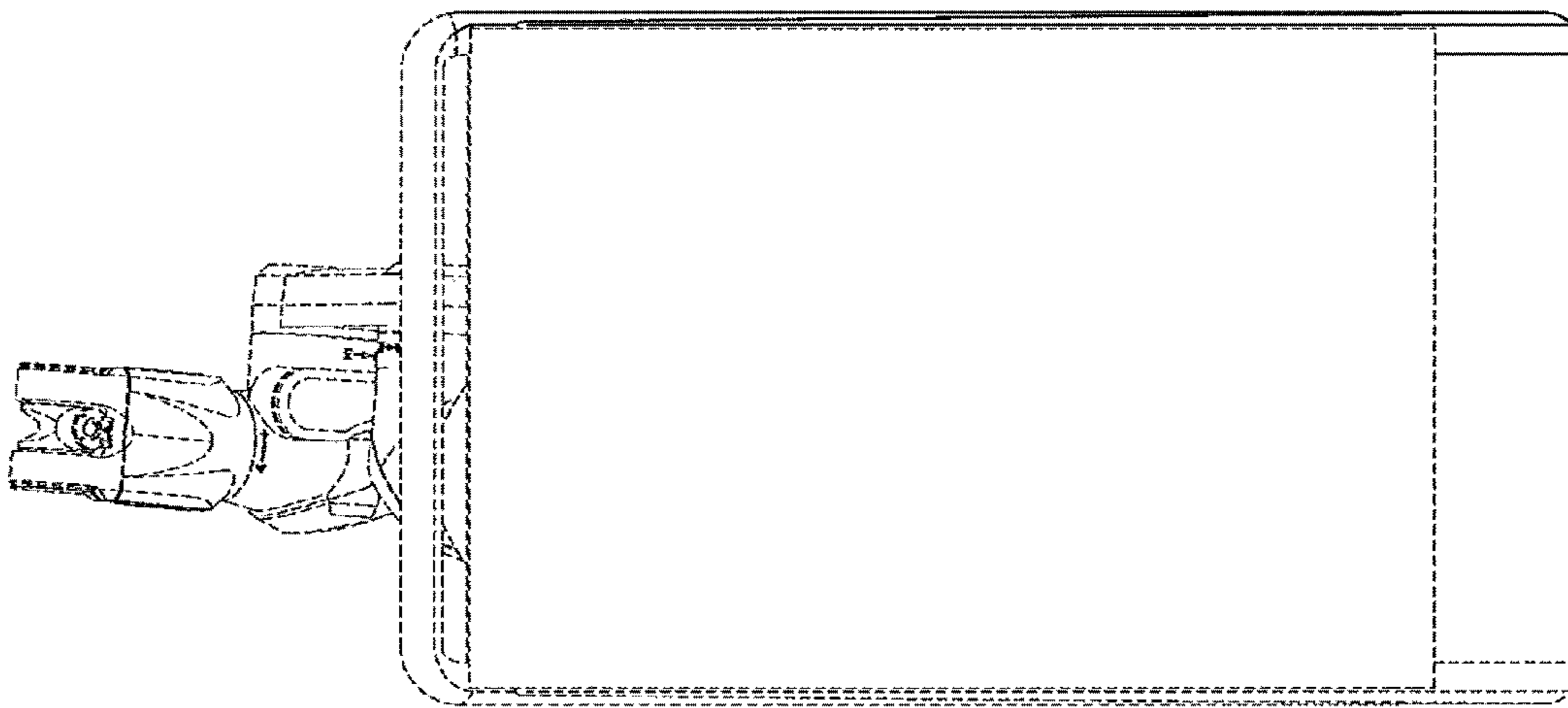


Figure 7