



US00D641939S

(12) **United States Design Patent**
Ott

(10) **Patent No.:** **US D641,939 S**
(45) **Date of Patent:** **** Jul. 19, 2011**

- (54) **DISHWASHER CONTROL PANEL**
- (75) Inventor: **Thomas Ott**, Neubiberg (DE)
- (73) Assignee: **BSH Bosch und Siemens Hausgeraete GmbH**, Munich (DE)
- (**) Term: **14 Years**
- (21) Appl. No.: **29/376,915**
- (22) Filed: **Oct. 14, 2010**

Related U.S. Application Data

- (62) Division of application No. 29/357,830, filed on Mar. 18, 2010, which is a division of application No. 29/313,267, filed on Dec. 19, 2008, now Pat. No. Des. 618,406.

(30) **Foreign Application Priority Data**

Jul. 8, 2008 (EM) 000973540

- (51) **LOC (9) Cl.** **15-05**
- (52) **U.S. Cl.** **D32/3**
- (58) **Field of Classification Search** D32/1-3, D32/28, 25; D7/340, 348-351, 405; 68/212; 312/31; 134/56 D, 57 D, 58 DL, 113, 201
See application file for complete search history.

(56) **References Cited**

U.S. PATENT DOCUMENTS

D385,069	S	*	10/1997	Hughes et al.	D32/3
D493,583	S	*	7/2004	Kaczmarek	D32/3
D495,104	S	*	8/2004	Kaczmarek	D32/3
D511,031	S	*	10/2005	Ott et al.	D32/3
D530,048	S	*	10/2006	Knochner	D32/3
D530,460	S	*	10/2006	Knochner	D32/3
D533,691	S	*	12/2006	Knochner	D32/3
D539,992	S	*	4/2007	Yamamoto et al.	D32/2
D545,009	S	*	6/2007	Jung et al.	D32/2
D568,563	S	*	5/2008	Stephens	D32/28
D577,869	S	*	9/2008	Tartan et al.	D32/2
D618,403	S	*	6/2010	Kaczmarek	D32/3
D618,405	S	*	6/2010	Ott	D32/3

* cited by examiner

Primary Examiner — T. Chase Nelson

Assistant Examiner — Kathleen M Sims

(74) *Attorney, Agent, or Firm* — James E. Howard; Andre Pallapies

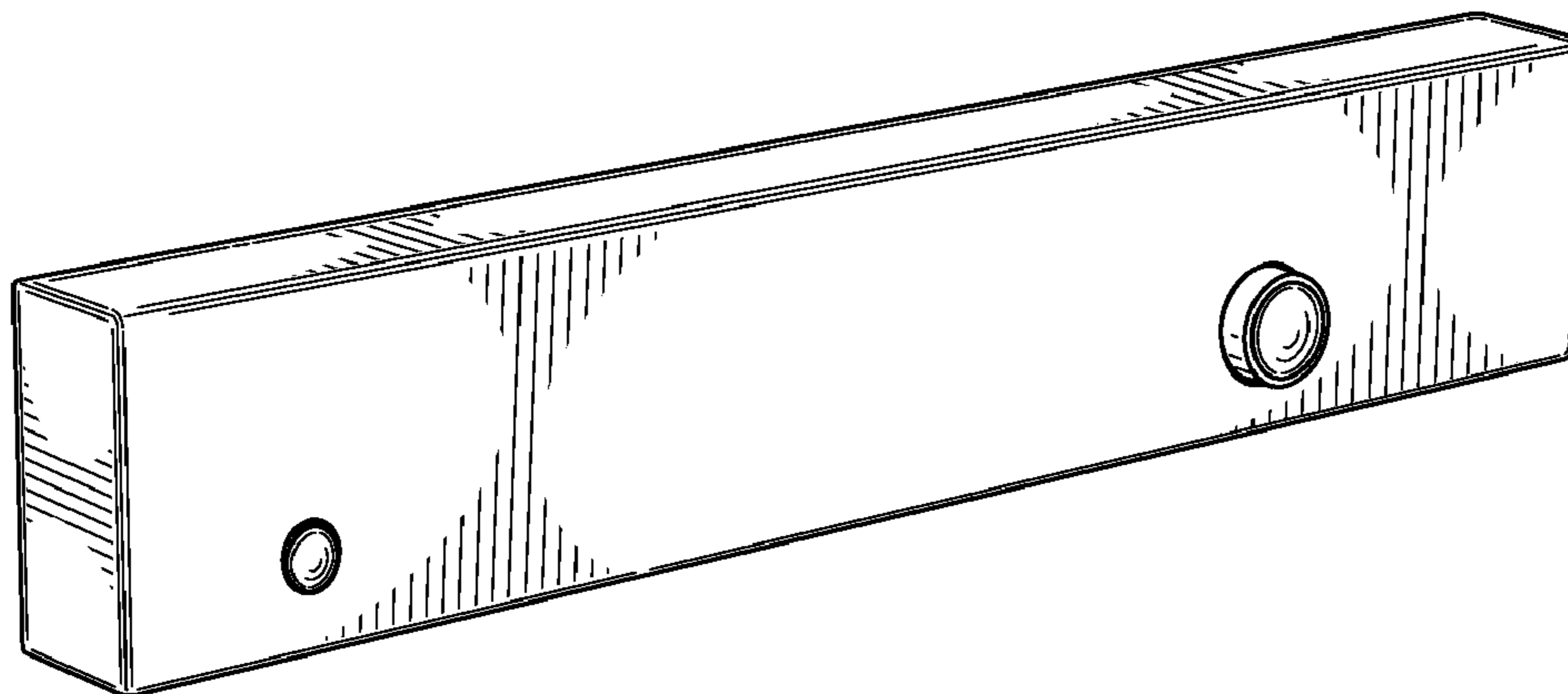
(57) **CLAIM**

The ornamental design for a dishwasher control panel, as shown and described.

DESCRIPTION

FIG. 1 is a perspective view of a dishwasher control panel showing my new design; and, FIG. 2 is a front view thereof.

1 Claim, 1 Drawing Sheet



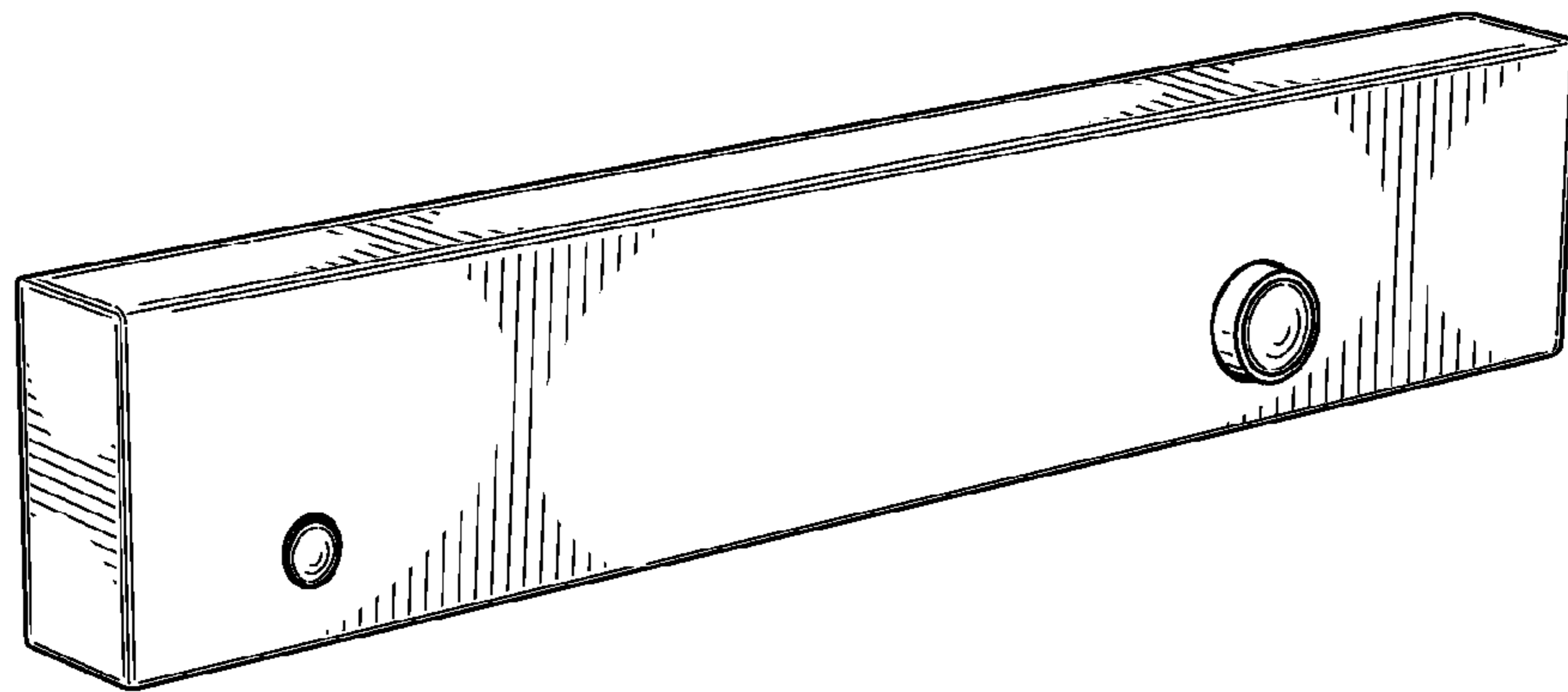


Fig. 1

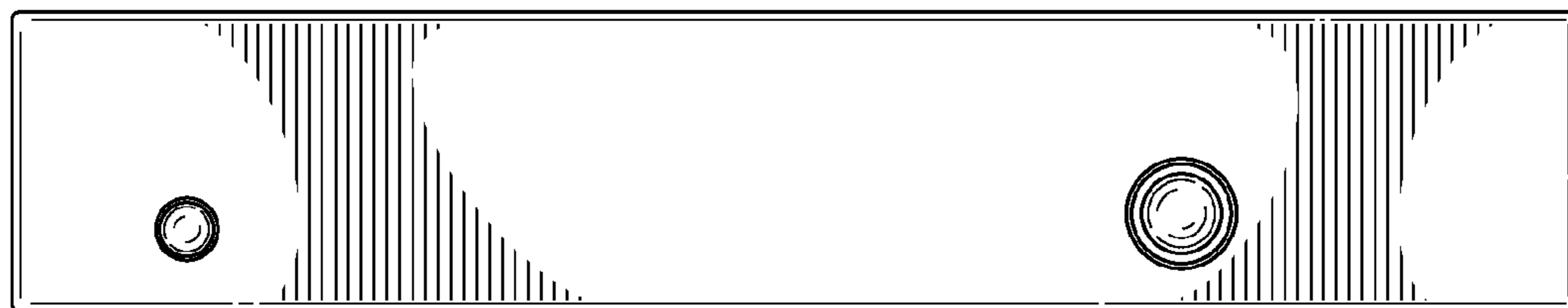


Fig. 2