



US00D641938S

(12) **United States Design Patent**  
**Taylor**

(10) **Patent No.:** **US D641,938 S**

(45) **Date of Patent:** **\*\* Jul. 19, 2011**

(54) **DOG WASHING MAT**

(76) Inventor: **William Taylor**, Dunstable, MA (US)

(\*\*) Term: **14 Years**

(21) Appl. No.: **29/377,126**

(22) Filed: **Oct. 18, 2010**

(51) **LOC (9) Cl.** ..... **30-99**

(52) **U.S. Cl.** ..... **D30/158; D30/199**

(58) **Field of Classification Search** ..... D30/158,  
D30/199, 118-120, 133, 129, 128; 119/61.54,  
119/51.5, 61.5, 61.1, 171, 169, 471, 525-528;  
D12/401; D6/583, 588, 582, 584, 592, 613,  
D6/615, 511, 339; 4/583, 582, 49, 501;  
15/215-217; 5/417, 418; 293/DIG. 6; 294/65.5,  
294/97, 77; 16/78; 441/80; 135/95; 601/168;  
219/546, 528

See application file for complete search history.

(56) **References Cited**

U.S. PATENT DOCUMENTS

1,534,214	A *	4/1925	Holt	.....	4/583
2,081,992	A *	6/1937	Gavlak	.....	4/583
3,034,140	A *	5/1962	Reynolds	.....	4/583
4,129,905	A *	12/1978	Niemirov	.....	4/499
D290,916	S *	7/1987	Madison et al.	.....	D6/583
4,800,677	A *	1/1989	Mack	.....	119/171
D302,416	S *	7/1989	Lehner et al.	.....	D12/203
D310,763	S *	9/1990	Hillebrand	.....	D6/583
D312,129	S *	11/1990	Peterson et al.	.....	D24/201
5,018,235	A *	5/1991	Stamatiou et al.	.....	15/215
D322,003	S *	12/1991	Hytry	.....	D6/583
D327,388	S *	6/1992	Phillips	.....	D6/588
5,234,421	A *	8/1993	Lowman	.....	604/385.09
5,554,145	A *	9/1996	Roe et al.	.....	604/385.3
D389,451	S *	1/1998	Wilson	.....	D12/401
D403,911	S *	1/1999	Wang	.....	D6/582
D406,410	S *	3/1999	Pasqua	.....	D30/144
5,954,015	A *	9/1999	Ohta	.....	119/850
D429,679	S *	8/2000	Hussaini et al.	.....	D12/203

D432,478	S *	10/2000	Lu	.....	D12/203
6,127,930	A *	10/2000	Steffanus	.....	340/573.1
D442,902	S *	5/2001	Iacovelli et al.	.....	D12/203
D471,850	S *	3/2003	Kraines	.....	D12/203
6,557,497	B1 *	5/2003	Milligan	.....	119/850
D487,823	S *	3/2004	Wang	.....	D30/118
6,895,901	B1 *	5/2005	Howard	.....	119/869
6,976,451	B2 *	12/2005	Helfman	.....	119/169
D524,086	S *	7/2006	Garrigues	.....	D6/596
D543,405	S *	5/2007	Fowkes	.....	D6/583
7,218,235	B1 *	5/2007	Rainey	.....	340/573.6
7,249,570	B1 *	7/2007	Roberson	.....	119/169
D562,161	S *	2/2008	Meyers et al.	.....	D10/50
7,464,668	B2 *	12/2008	Brewington	.....	119/869
D584,671	S *	1/2009	Hsu	.....	D12/203
D599,149	S *	9/2009	White	.....	D6/582
D628,422	S *	12/2010	Meyers et al.	.....	D6/583
2002/0188237	A1 *	12/2002	Ferber et al.	.....	601/168
2004/0040676	A1 *	3/2004	Engl et al.	.....	160/370.22
2004/0194393	A1 *	10/2004	Horman	.....	52/3
2005/0120977	A1 *	6/2005	Boyd	.....	119/719
2005/0154367	A1 *	7/2005	Ikegami	.....	604/389

(Continued)

*Primary Examiner* — Susan Moon Lee

(74) *Attorney, Agent, or Firm* — David Connaughton; Gary Lambert

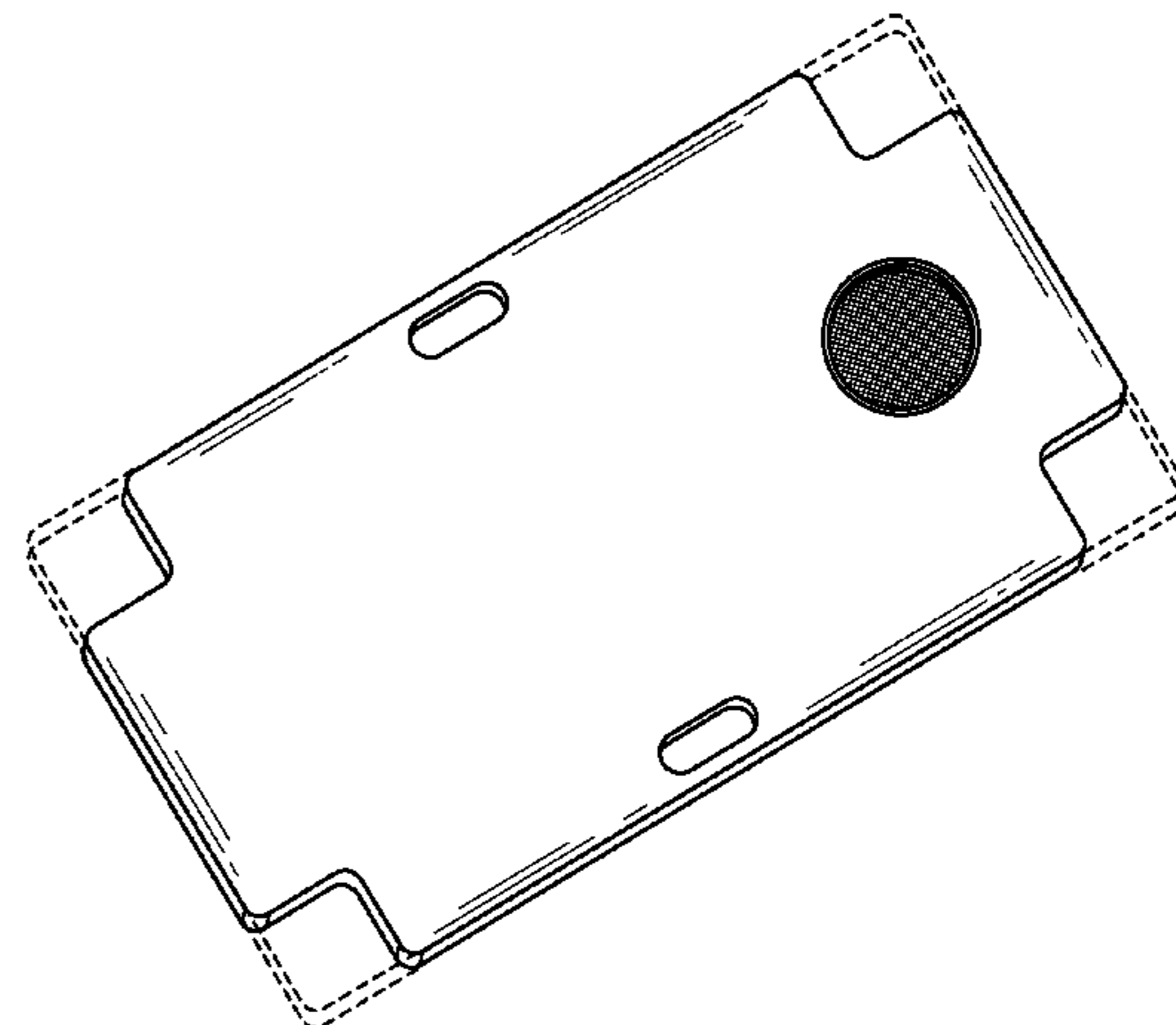
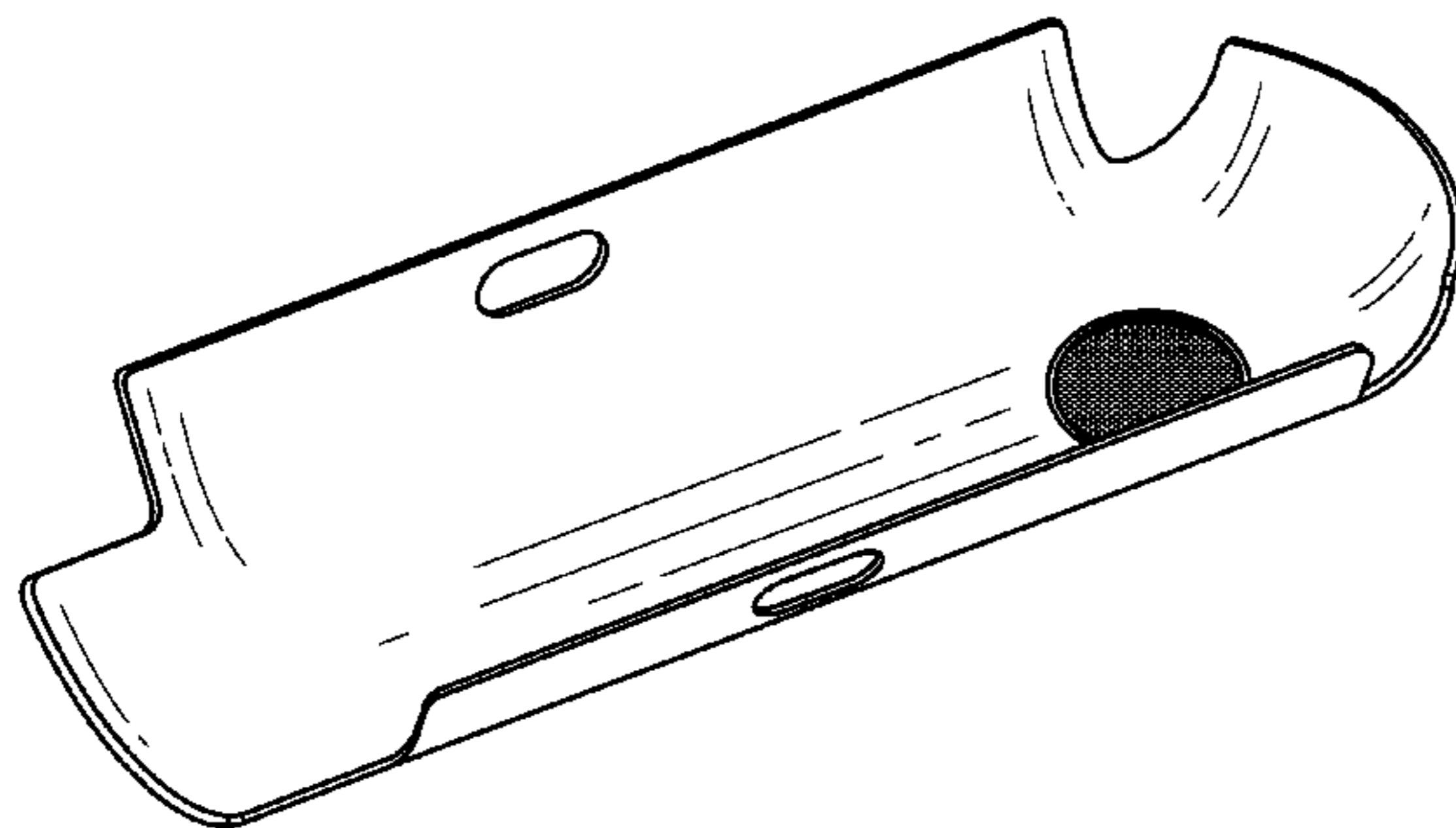
(57) **CLAIM**

The ornamental design for a dog washing mat, as shown and described.

**DESCRIPTION**

FIG. 1 is a isometric view of the portable dog washing mat, which embodies my design;  
FIG. 2 is a isometric view of the portable dog washing mat;  
FIG. 3 is a top plan view of the portable dog washing mat;  
FIG. 4 is a right side view of the portable dog washing mat;  
and,  
FIG. 5 is a rear view of the portable dog washing mat.  
Elements in broken line are not claimed.

**1 Claim, 2 Drawing Sheets**



# US D641,938 S

Page 2

---

U.S. PATENT DOCUMENTS			
2006/0217678	A1*	9/2006	Ikegami et al. .... 604/386
2009/0288615	A1*	11/2009	Fukunishi ..... 119/621
2009/0314321	A1*	12/2009	Van Dyken ..... 135/95
2010/0175626	A1*	7/2010	Askinasi ..... 119/169
* cited by examiner			

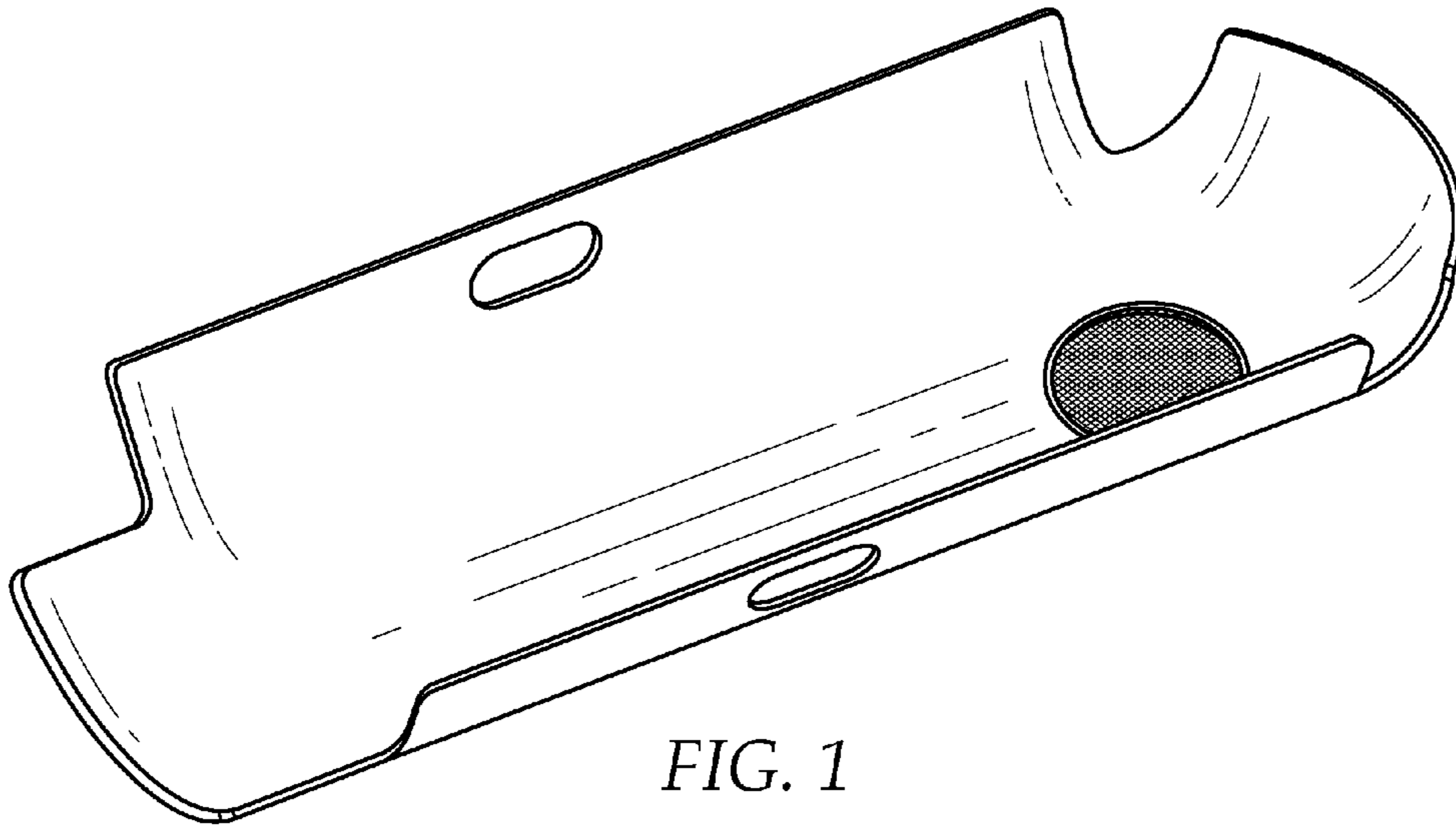


FIG. 1

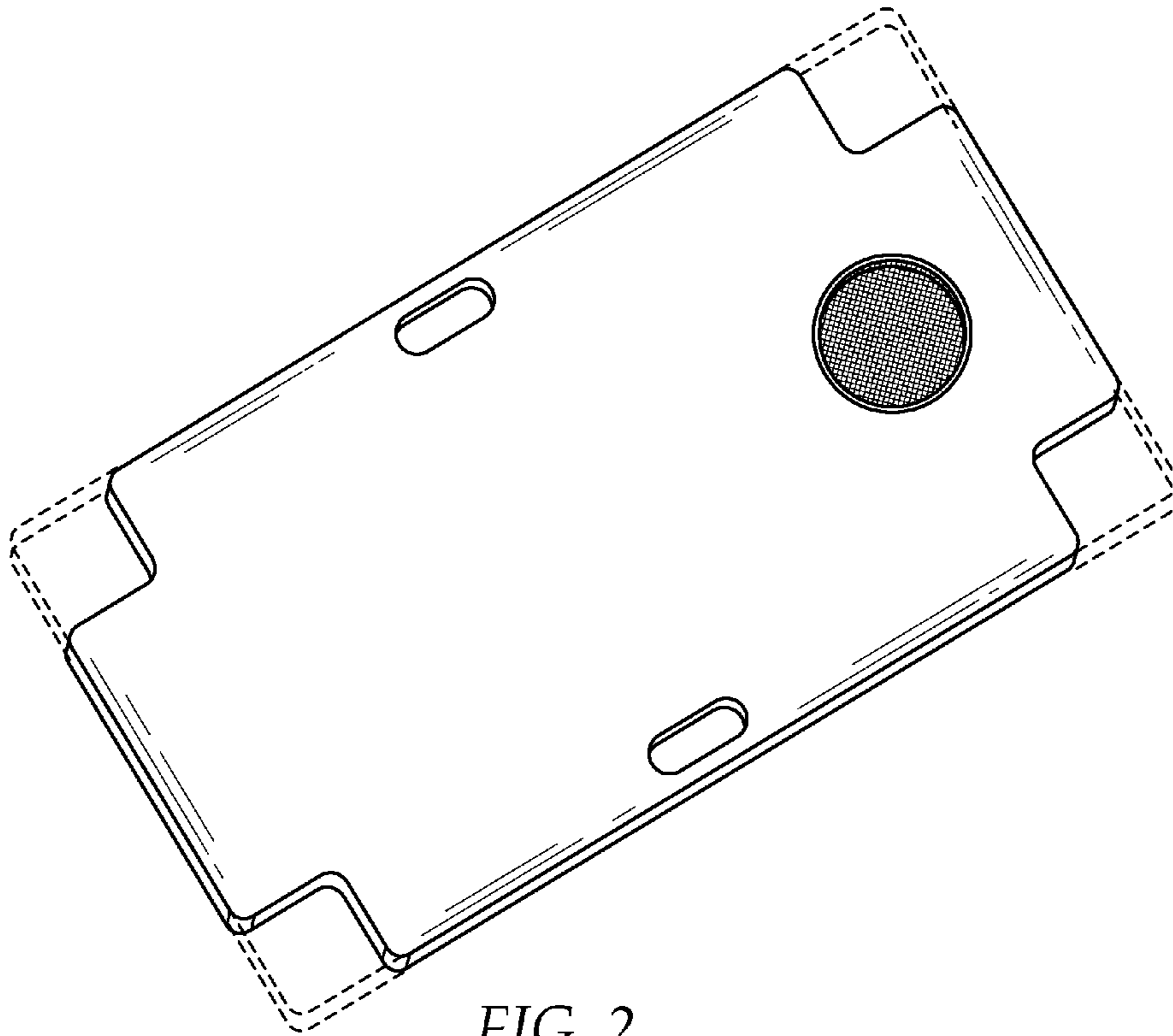


FIG. 2

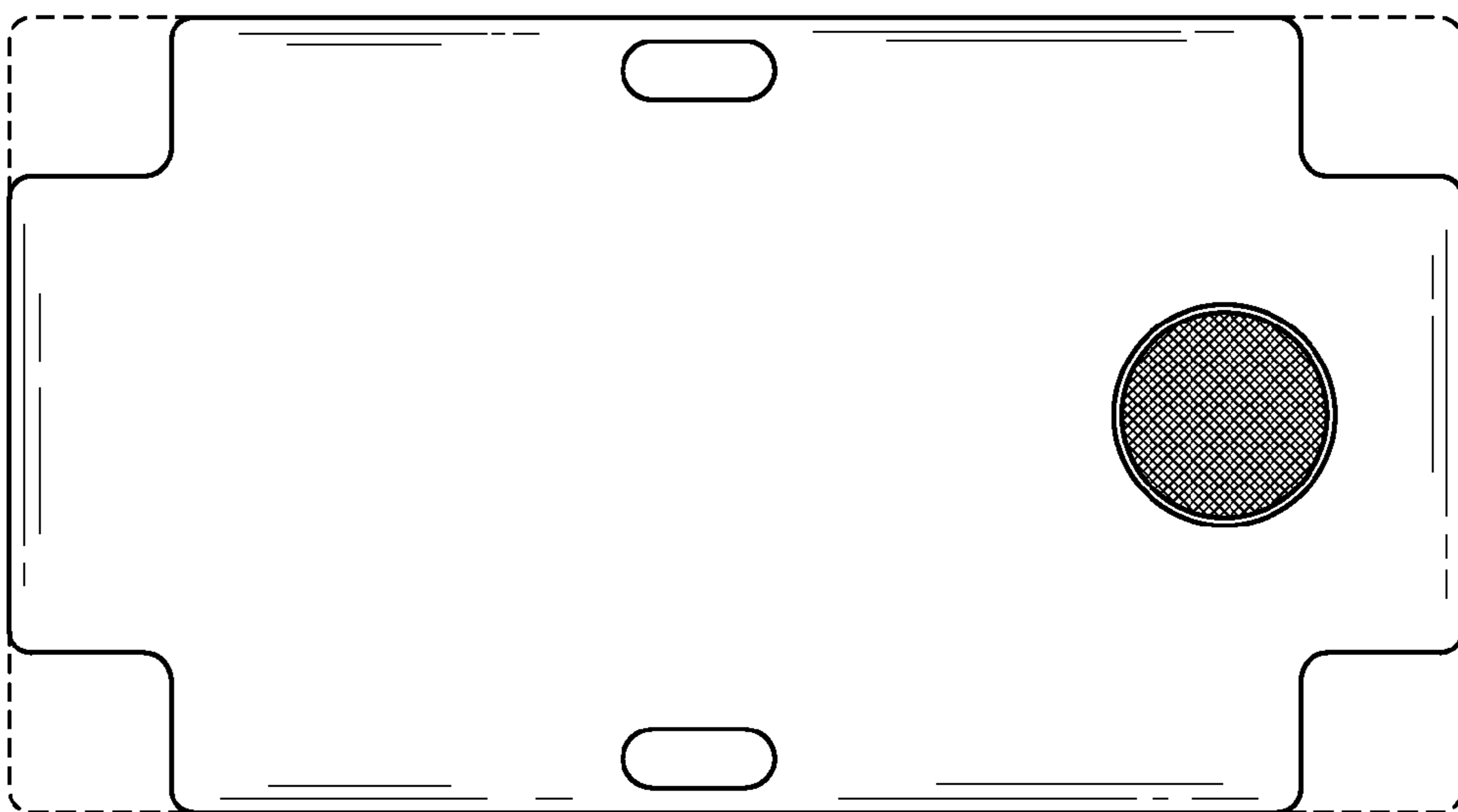


FIG. 3



FIG. 4



FIG. 5