



US00D641937S

(12) **United States Design Patent**
Pitter

(10) **Patent No.:** **US D641,937 S**
(45) **Date of Patent:** **** Jul. 19, 2011**

(54) **PET STAND**

(75) Inventor: **Dan Pitter**, Rotherwick (GB)

(73) Assignee: **Elite Dogstands Ltd.** (GB)

(**) Term: **14 Years**

(21) Appl. No.: **29/378,801**

(22) Filed: **Nov. 10, 2010**

(30) **Foreign Application Priority Data**

May 11, 2010 (EM) 001706961-0001

(51) **LOC (9) Cl.** **30-03**

(52) **U.S. Cl.** **D30/133**

(58) **Field of Classification Search** D14/439,
D14/447; 361/686-688, 690-697, 681, 683,
361/679, 715; 320/115; 165/80.3; 248/349.1,
248/918; 454/184; D23/314, 332, 355, 370,
D23/386-387; D11/99, 149, 152, 157, 133,
D11/30, 44, 48, 81, 223, 232, 238, 219, 211,
D11/204; D8/38; D6/493, 487, 482, 497,
D6/499, 539, 557, 563

See application file for complete search history.

(56) **References Cited**

U.S. PATENT DOCUMENTS

D89,262 S * 2/1933 Nunmaker D30/130
D188,415 S * 7/1960 Scheurer D12/419
D221,217 S * 7/1971 Beychok D12/419
D233,293 S * 10/1974 Rosen D6/484
4,044,723 A * 8/1977 Fitzpatrick 119/61.5
D276,767 S * 12/1984 Livi D6/349
D296,284 S * 6/1988 Colby D6/487
D315,974 S * 4/1991 Steiner D30/131
D338,576 S * 8/1993 Livi D6/484
D340,552 S * 10/1993 Smith D30/121
D358,158 S * 5/1995 Bush D16/222
D359,862 S * 7/1995 Rousch D6/406.6
D361,874 S * 8/1995 Keller et al. D30/129

D374,517 S * 10/1996 Morrill D30/133
5,730,081 A * 3/1998 Tsengas 119/51.5
D412,377 S * 7/1999 Sharon D30/130
D414,303 S * 9/1999 Sharon D30/130
6,209,487 B1 * 4/2001 Quinlan et al. 119/51.01
6,705,249 B2 * 3/2004 Quinlan et al. 119/51.01
6,786,177 B1 * 9/2004 Lemkin 119/51.01
D505,523 S * 5/2005 Rahman D30/133
D521,690 S * 5/2006 Krcek et al. D30/133
D551,400 S * 9/2007 Tsengas D30/133
D577,466 S * 9/2008 Shamoon D30/133
D592,814 S * 5/2009 Uffner et al. D30/133
D597,262 S * 7/2009 Shamoon et al. D30/130
D606,711 S * 12/2009 Becattini et al. D30/133
D618,862 S * 6/2010 Shamoon et al. D30/133
D621,559 S * 8/2010 Clark, Jr. D30/133
D623,362 S * 9/2010 Man D30/133
D625,887 S * 10/2010 Becattini et al. D30/133
D627,109 S * 11/2010 Man D30/133
2003/0029867 A1 * 2/2003 Vicknair 220/23.87
2005/0115508 A1 * 6/2005 Little 119/61.5

* cited by examiner

Primary Examiner — Susan Moon Lee

(74) *Attorney, Agent, or Firm* — Thomas, Kayden,
Horstemeyer & Risley, LLP

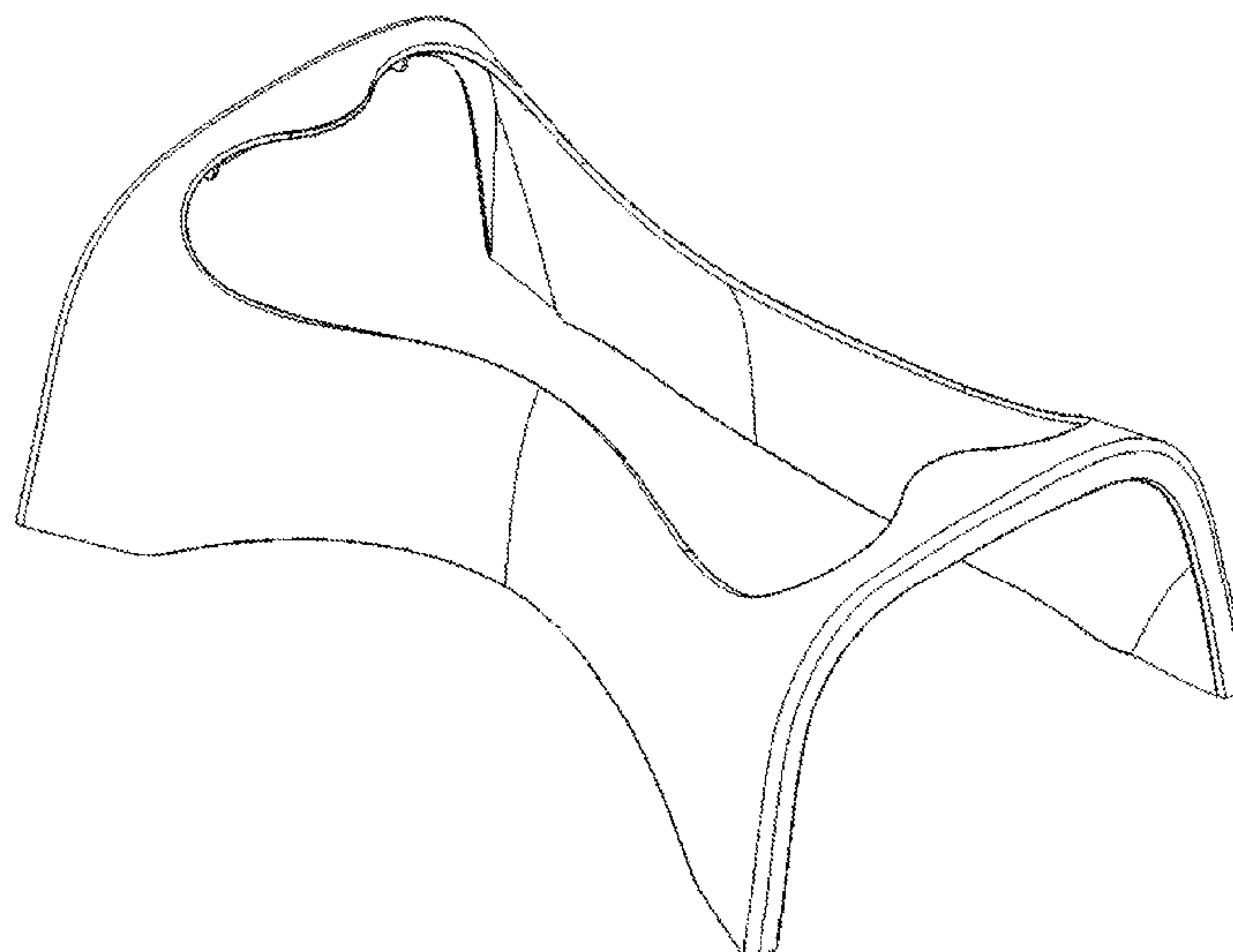
(57) **CLAIM**

I claim the ornamental design for a pet stand, as shown and described.

DESCRIPTION

FIG. 1 is an overall perspective view from above of my new pet stand;
FIG. 2 is a top plan view of my new pet stand of FIG. 1;
FIG. 3 is a bottom plan view of my new pet stand of FIG. 1;
FIG. 4 is a side view from the right side of my new pet stand of FIG. 1, the opposite side view being a mirror image thereof;
FIG. 5 is a rear view of my new pet stand of FIG. 1; and,
FIG. 6 is a perspective view from below of my pet stand of FIG. 1.

1 Claim, 6 Drawing Sheets



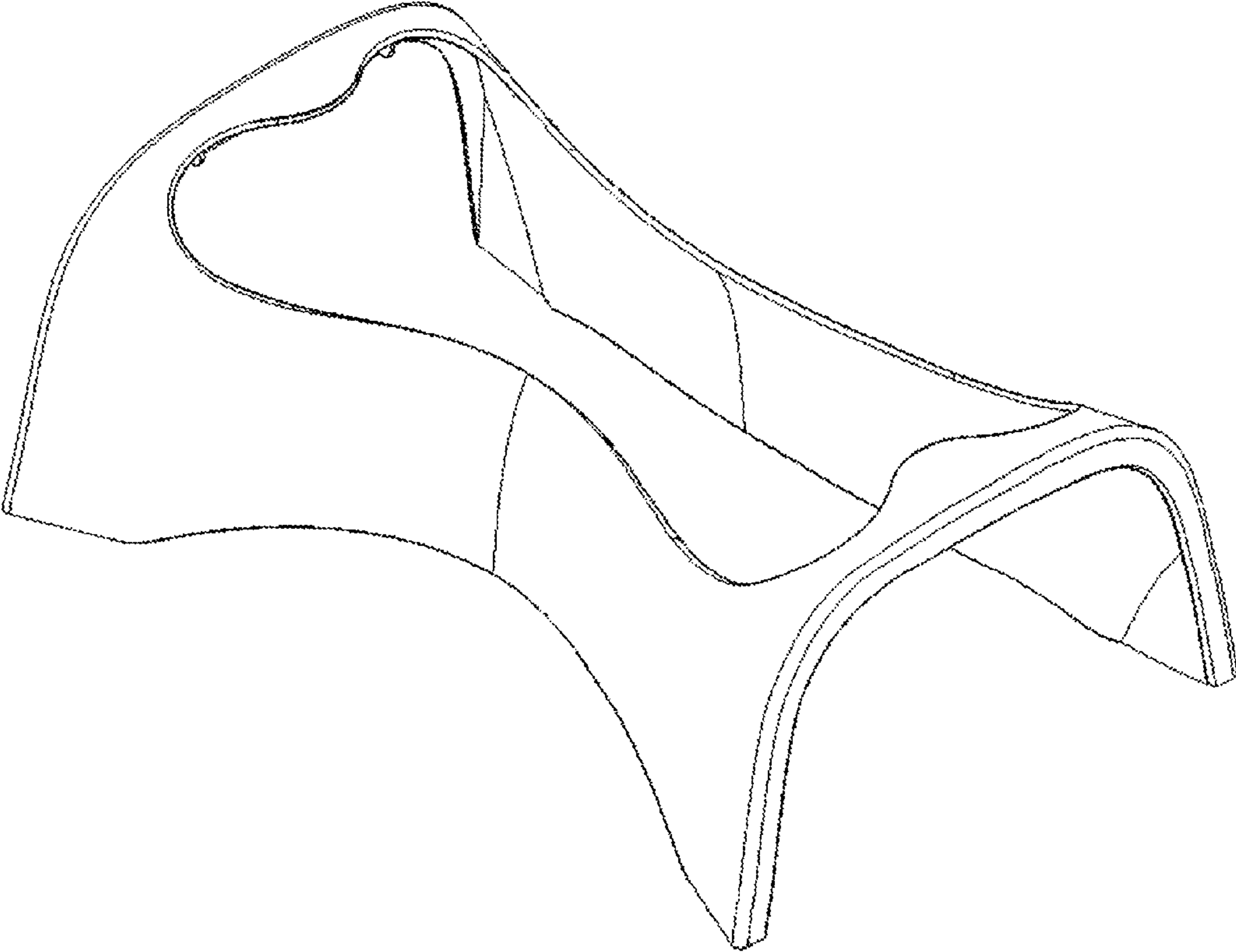


FIG. 1

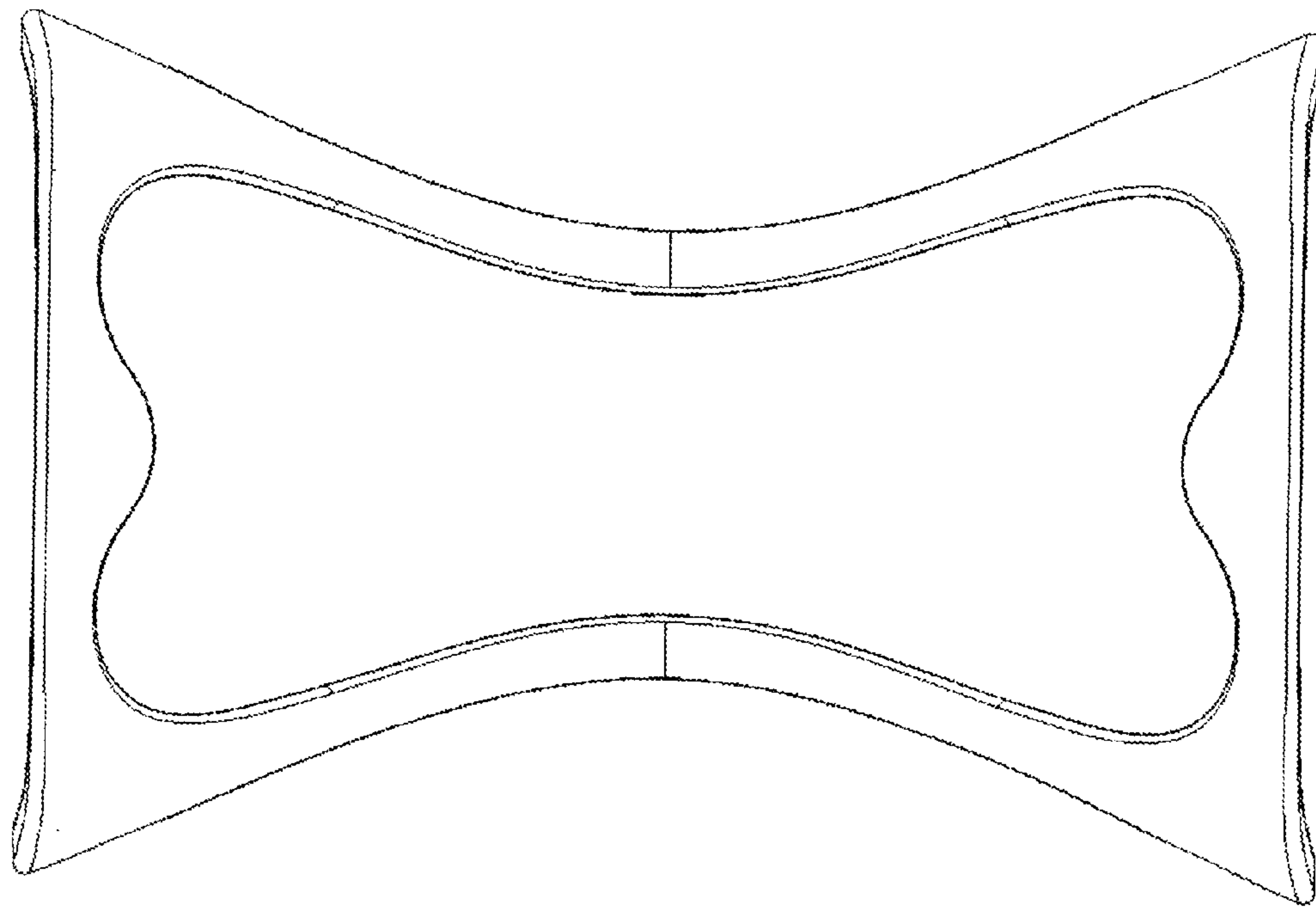


FIG. 2

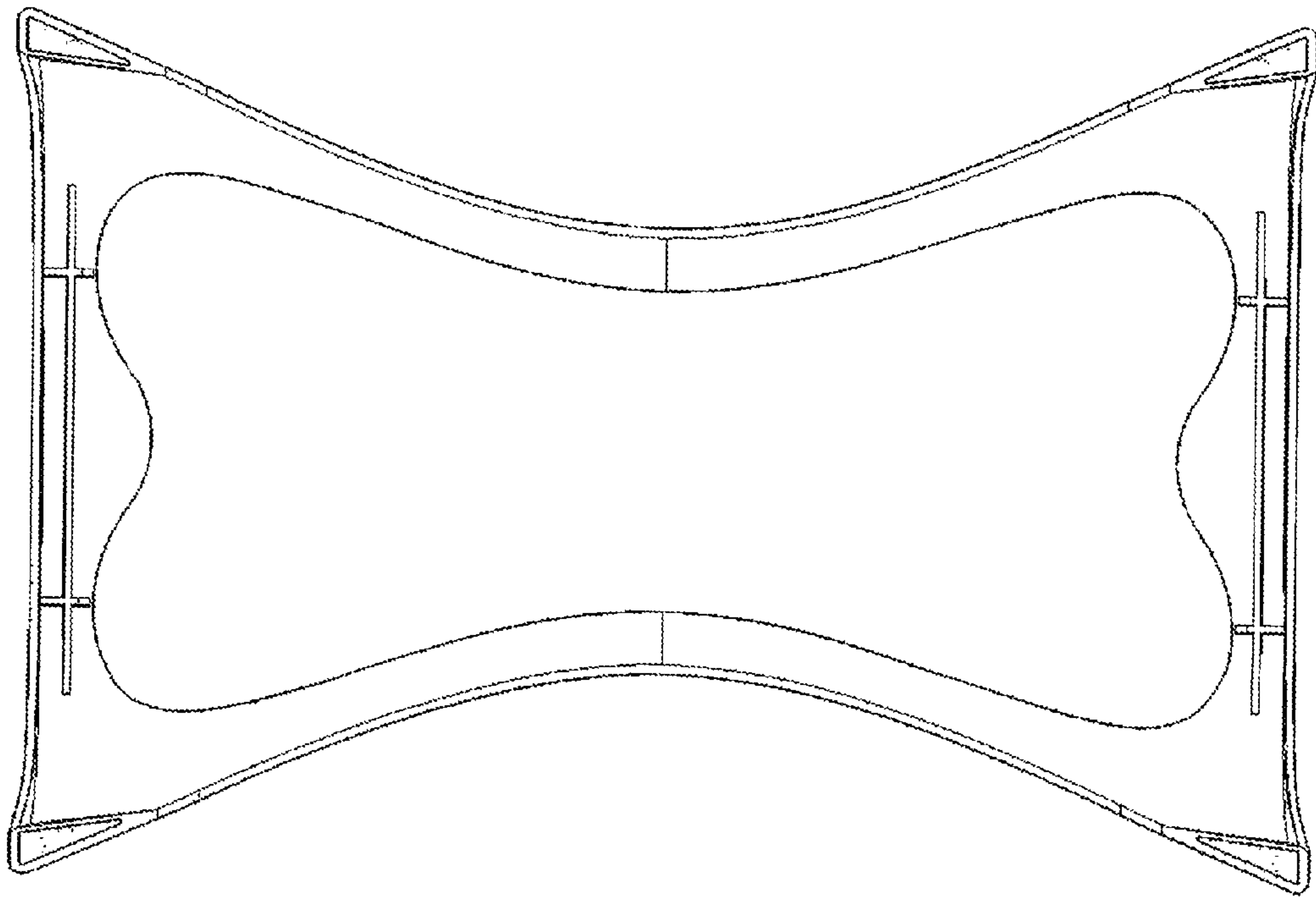


FIG. 3

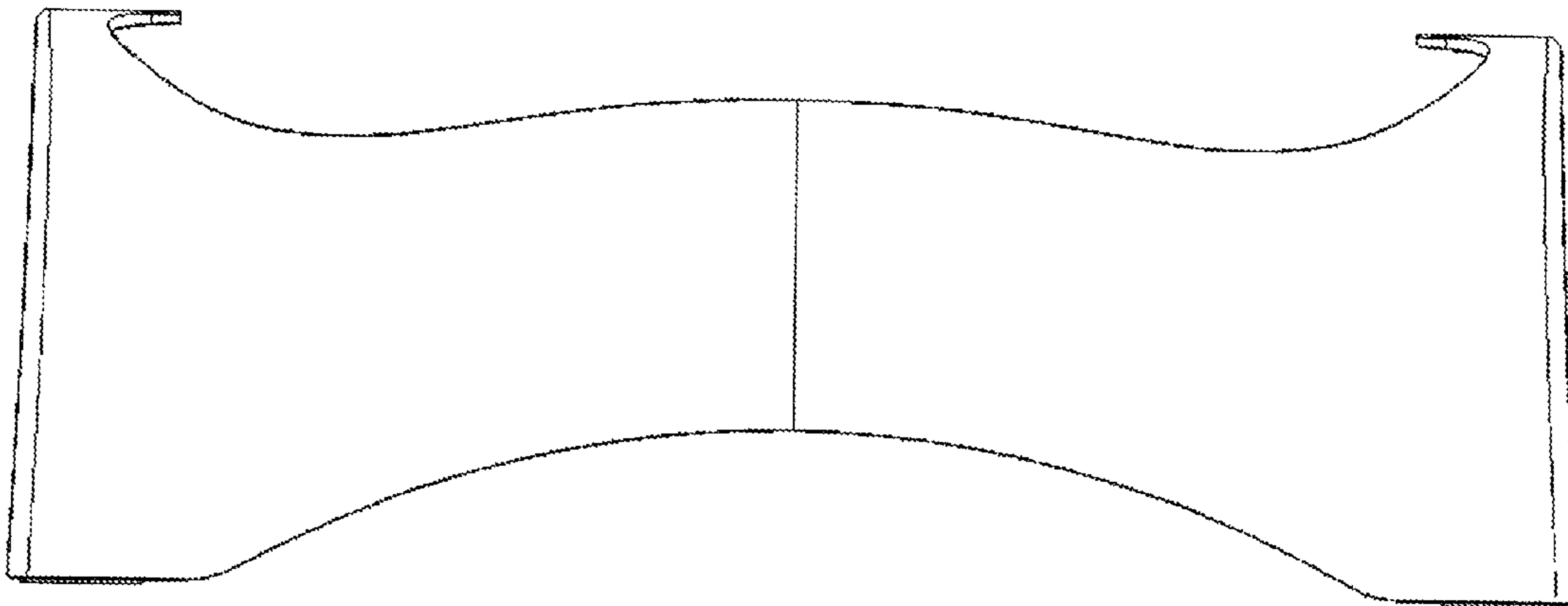


FIG. 4

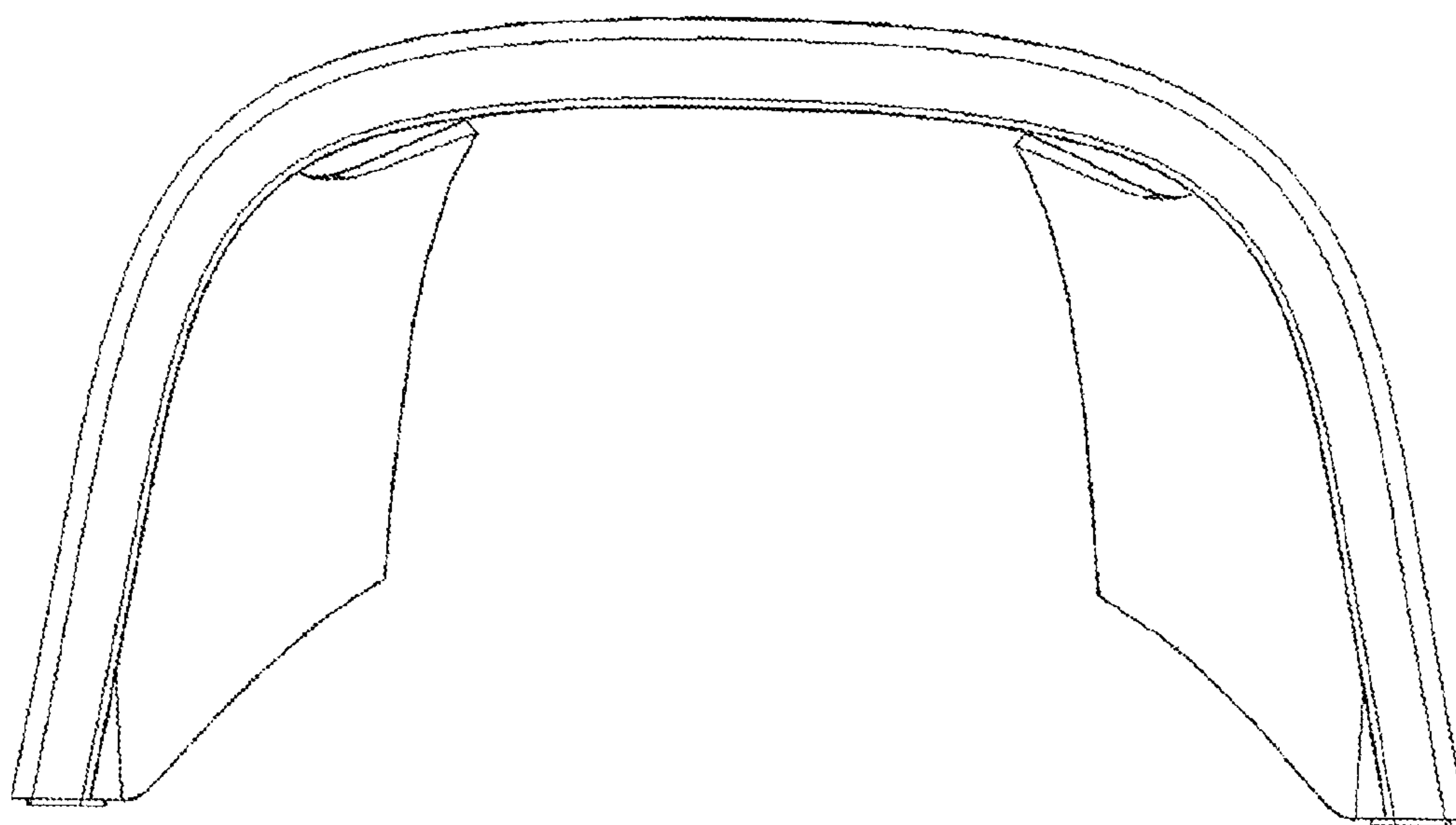


FIG. 5

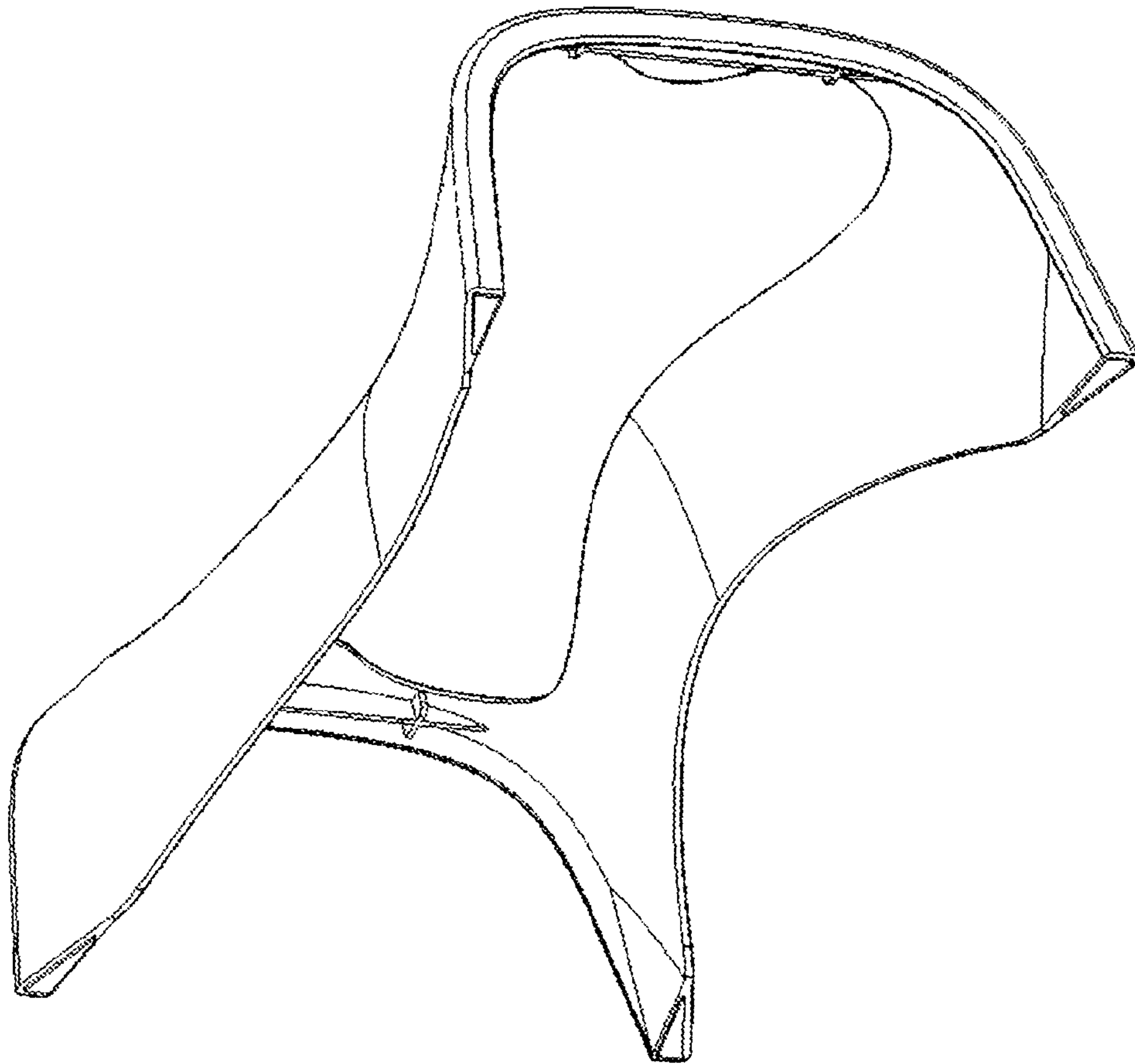


FIG. 6