

US00D641933S

(12) **United States Design Patent**
Chen

(10) **Patent No.:** **US D641,933 S**

(45) **Date of Patent:** **** Jul. 19, 2011**

(54) **COSMETIC CASE**

(75) **Inventor:** **Kuo-Ming Chen**, Conghua (CN)

(73) **Assignee:** **JWU Ching (HK) Co. Limited**,
Guangdong Province (CN)

(**) **Term:** **14 Years**

(21) **Appl. No.:** **29/382,083**

(22) **Filed:** **Dec. 29, 2010**

(51) **LOC (9) Cl.** **28-03**

(52) **U.S. Cl.** **D28/83**

(58) **Field of Classification Search** D28/73,
D28/76-84, 64.3; 132/286-288, 293-307,
132/312-318; 206/581, 823

See application file for complete search history.

(56) **References Cited**

U.S. PATENT DOCUMENTS

D479,630	S	*	9/2003	Lai	D28/83
D480,180	S	*	9/2003	Lai	D28/83
D564,707	S	*	3/2008	Barresi	D28/83
D600,858	S	*	9/2009	Thorpe et al.	D28/83

D603,564	S	*	11/2009	Liden	D28/83
D621,548	S	*	8/2010	Chen	D28/83
D636,534	S	*	4/2011	Lai	D28/83

* cited by examiner

Primary Examiner — Jennifer Rivard

(74) *Attorney, Agent, or Firm* — Leong C. Lei

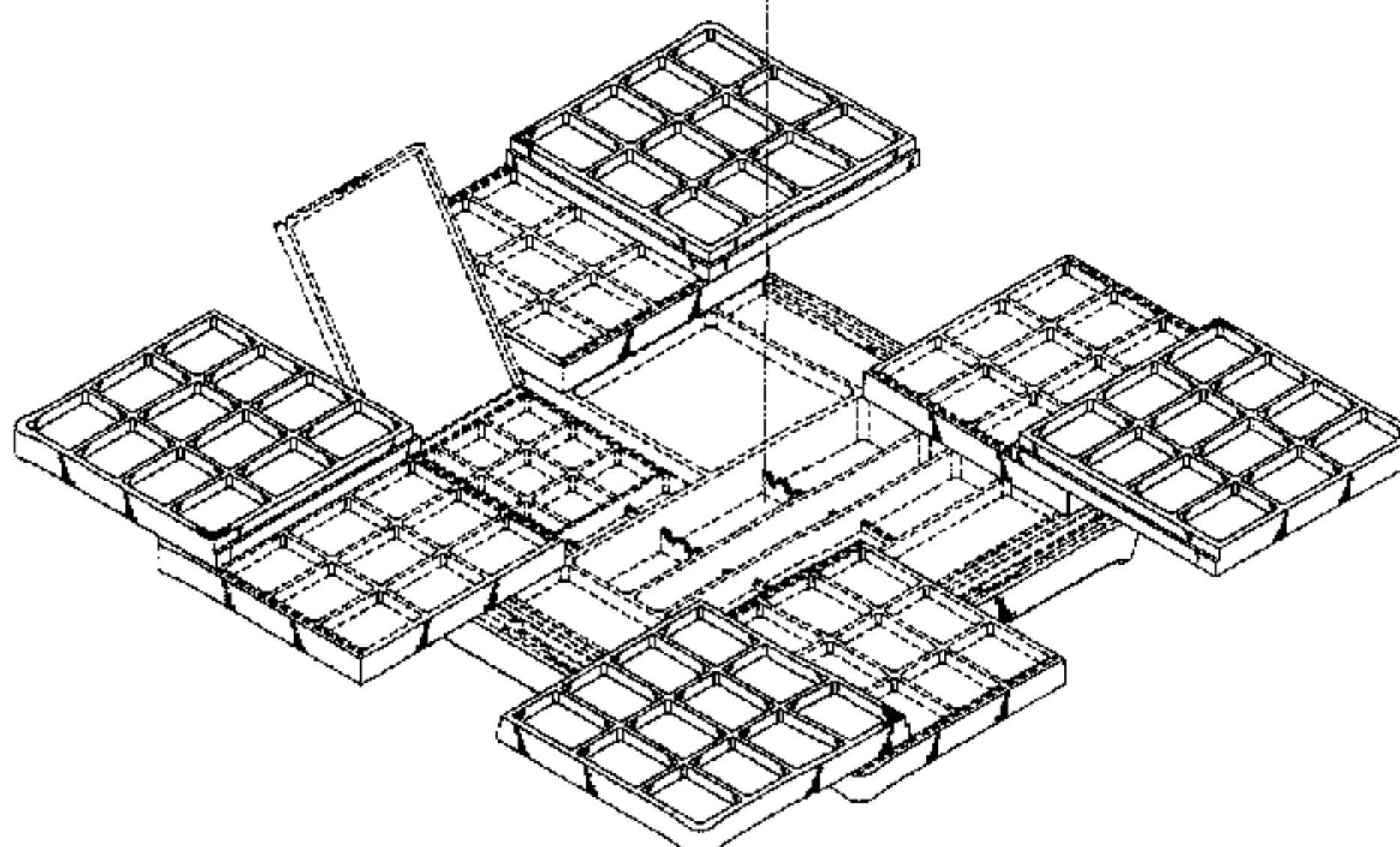
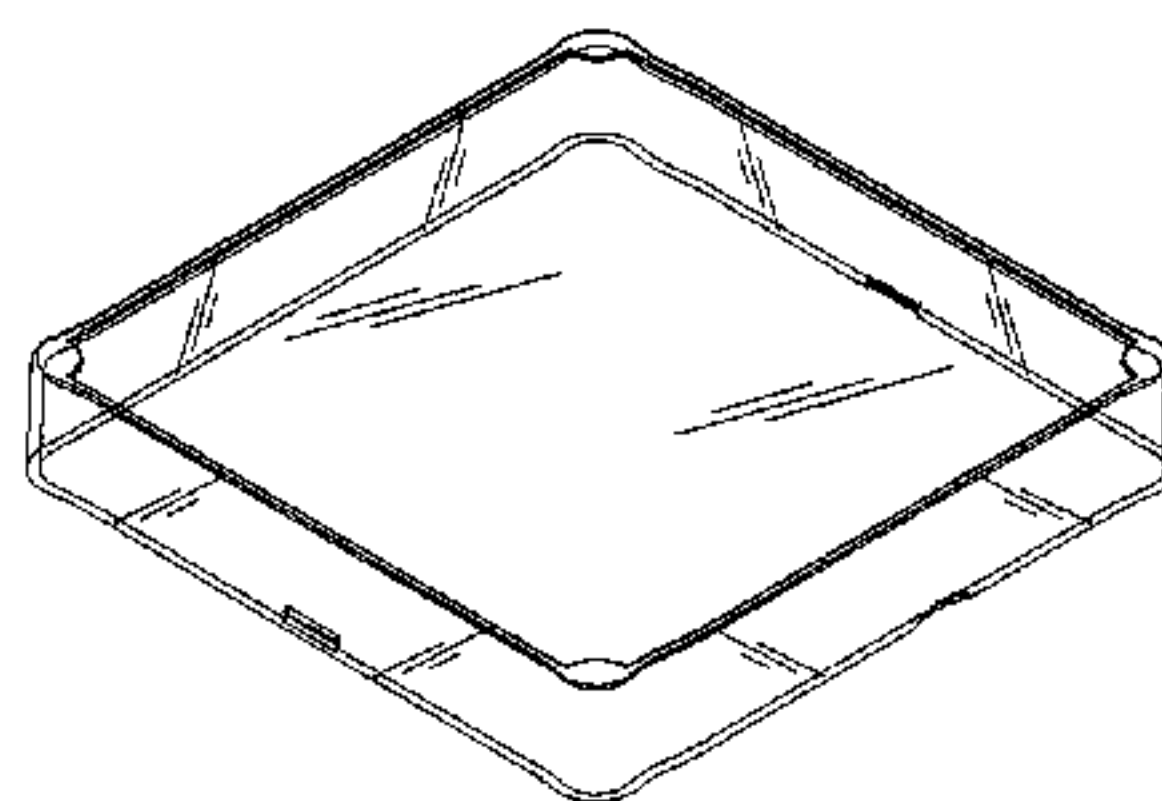
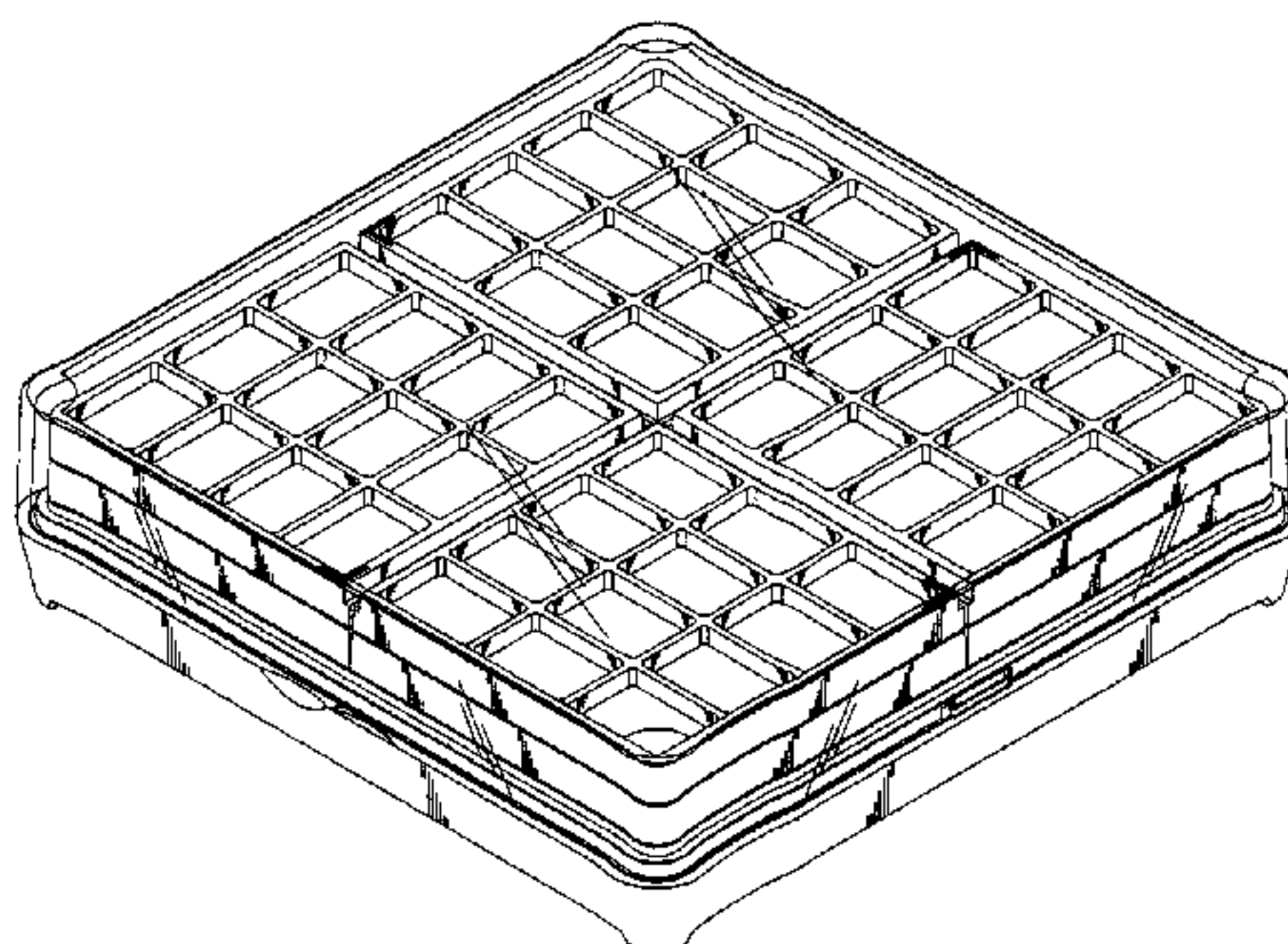
(57) **CLAIM**

The ornamental design for a cosmetic case, as shown and described.

DESCRIPTION

FIG. 1 is a perspective view of a cosmetic case showing my new design;
 FIG. 2 is a front elevational view thereof;
 FIG. 3 is a rear elevational view thereof;
 FIG. 4 is a left side view thereof;
 FIG. 5 is a right side view thereof;
 FIG. 6 is a top plan view thereof;
 FIG. 7 is a bottom plan view thereof; and,
 FIG. 8 is another perspective view thereof while in use.
 The broken lines shown in the drawings illustrate portions of the article and form no part of the claimed design.

1 Claim, 8 Drawing Sheets



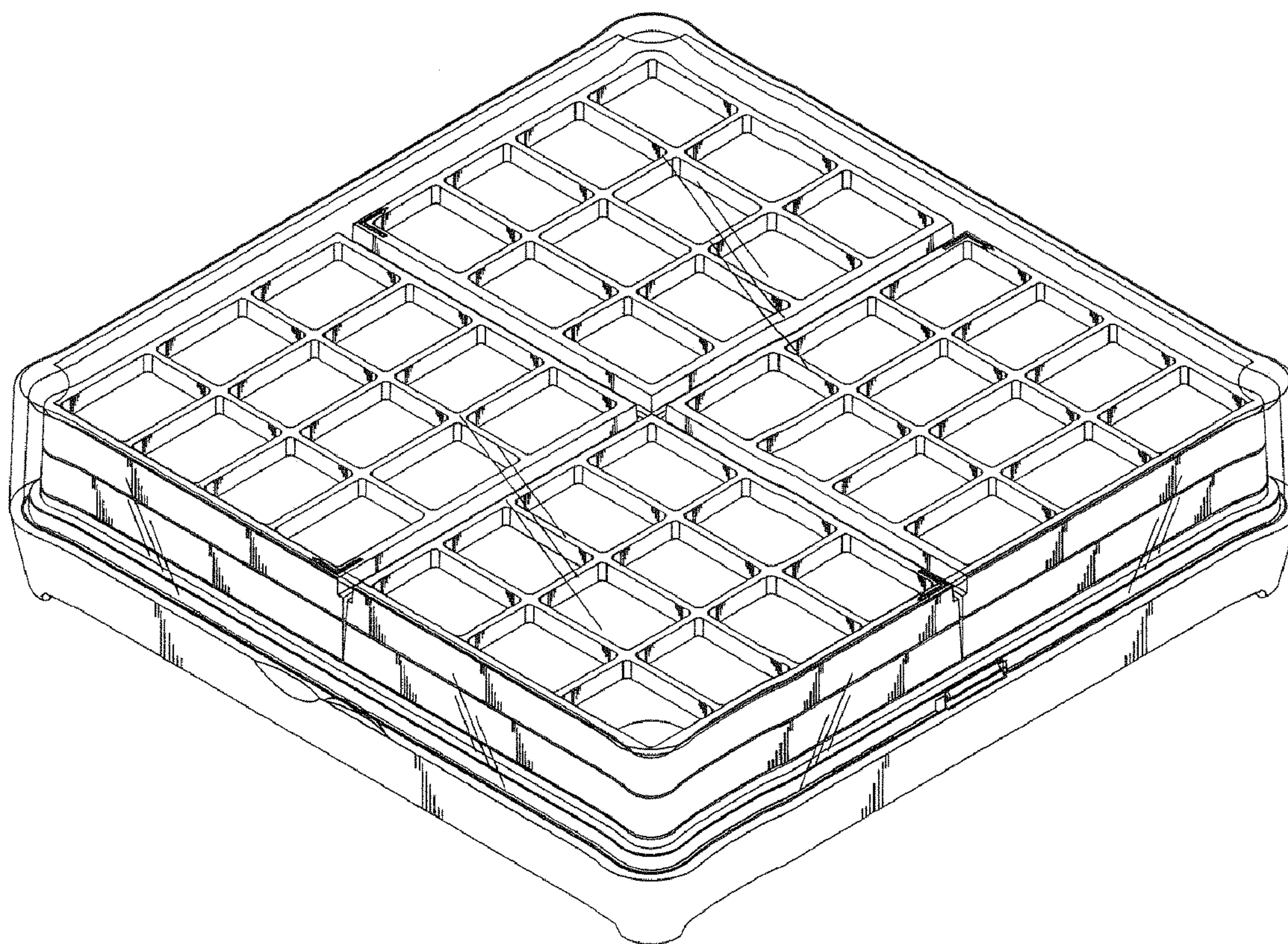


FIG. 1

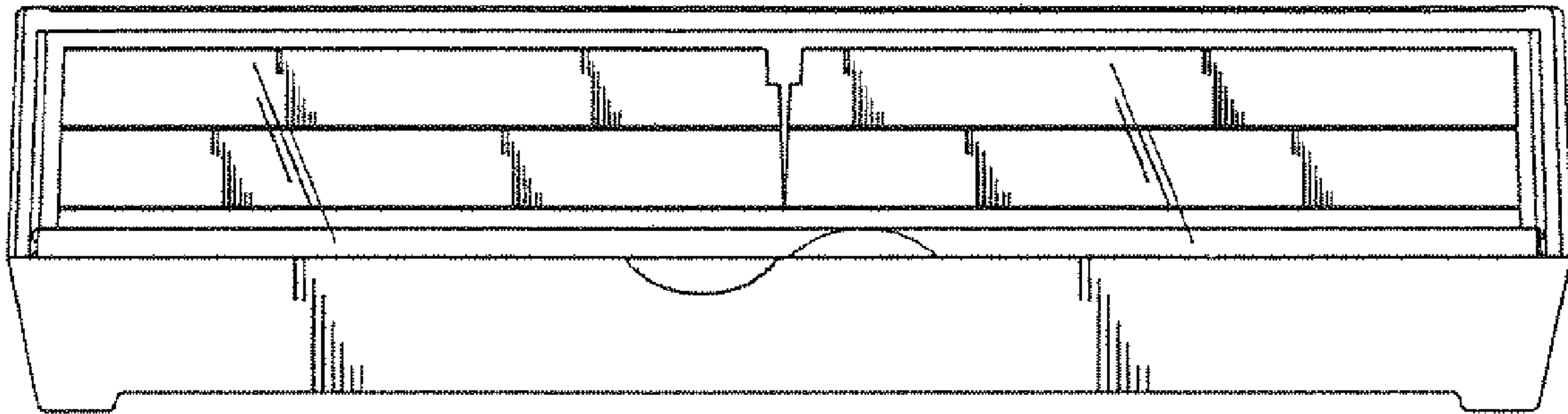


FIG.2

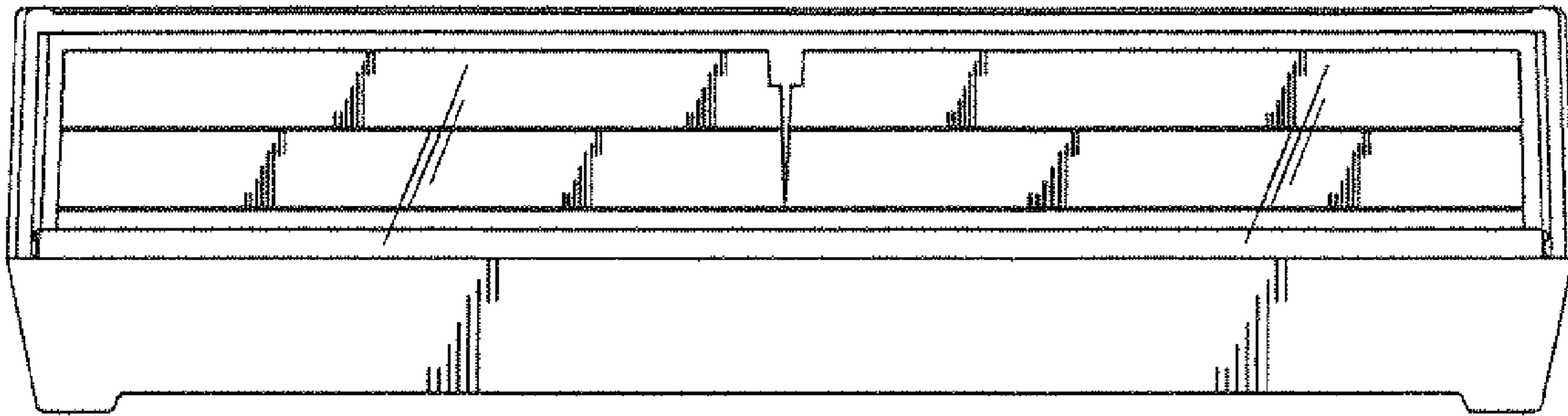


FIG.3

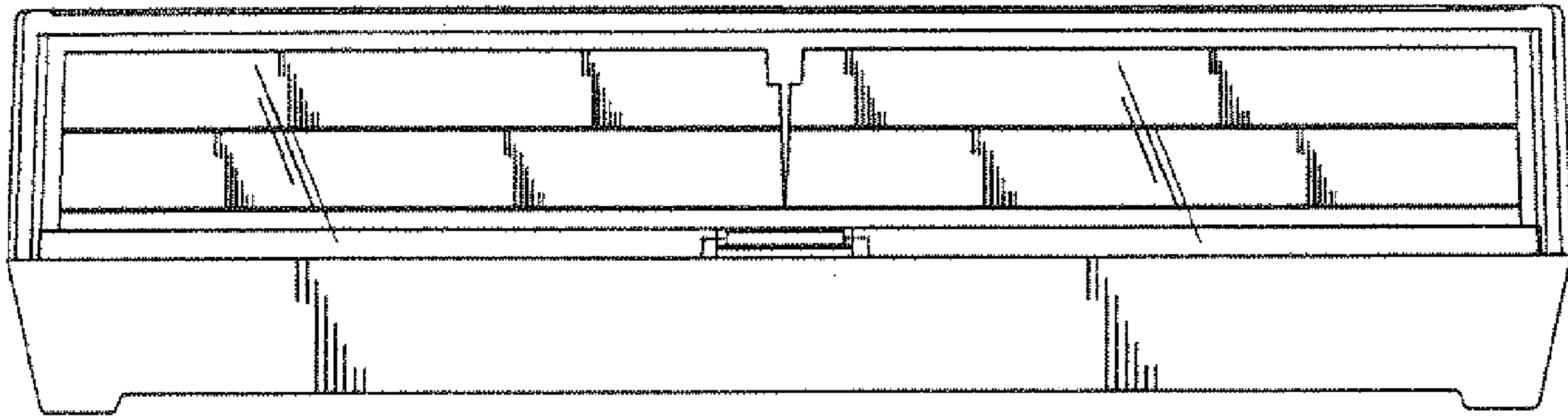


FIG.4

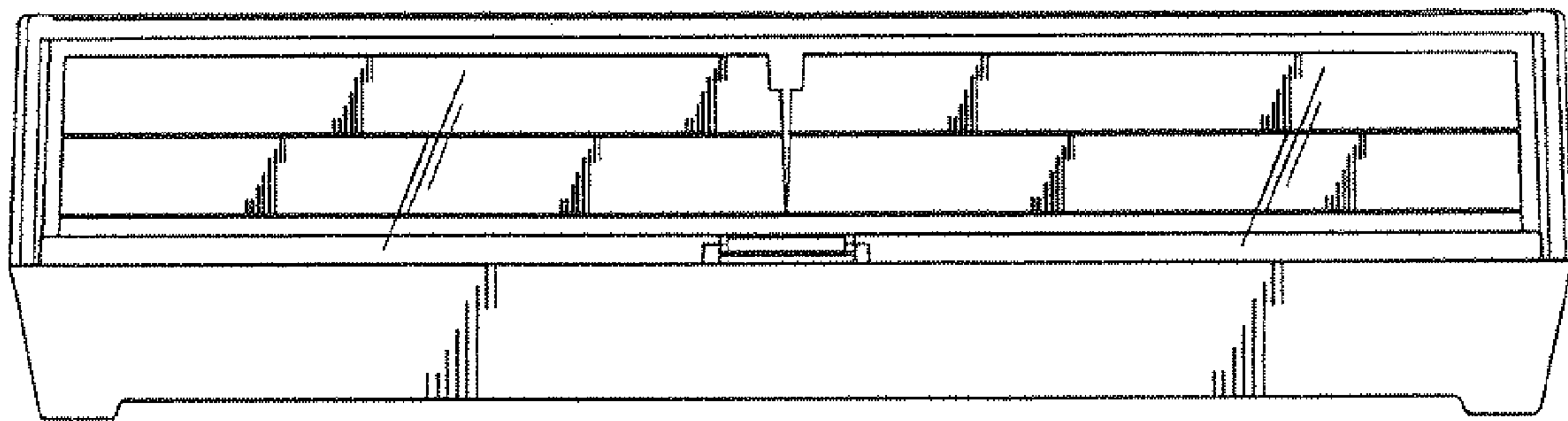


FIG.5

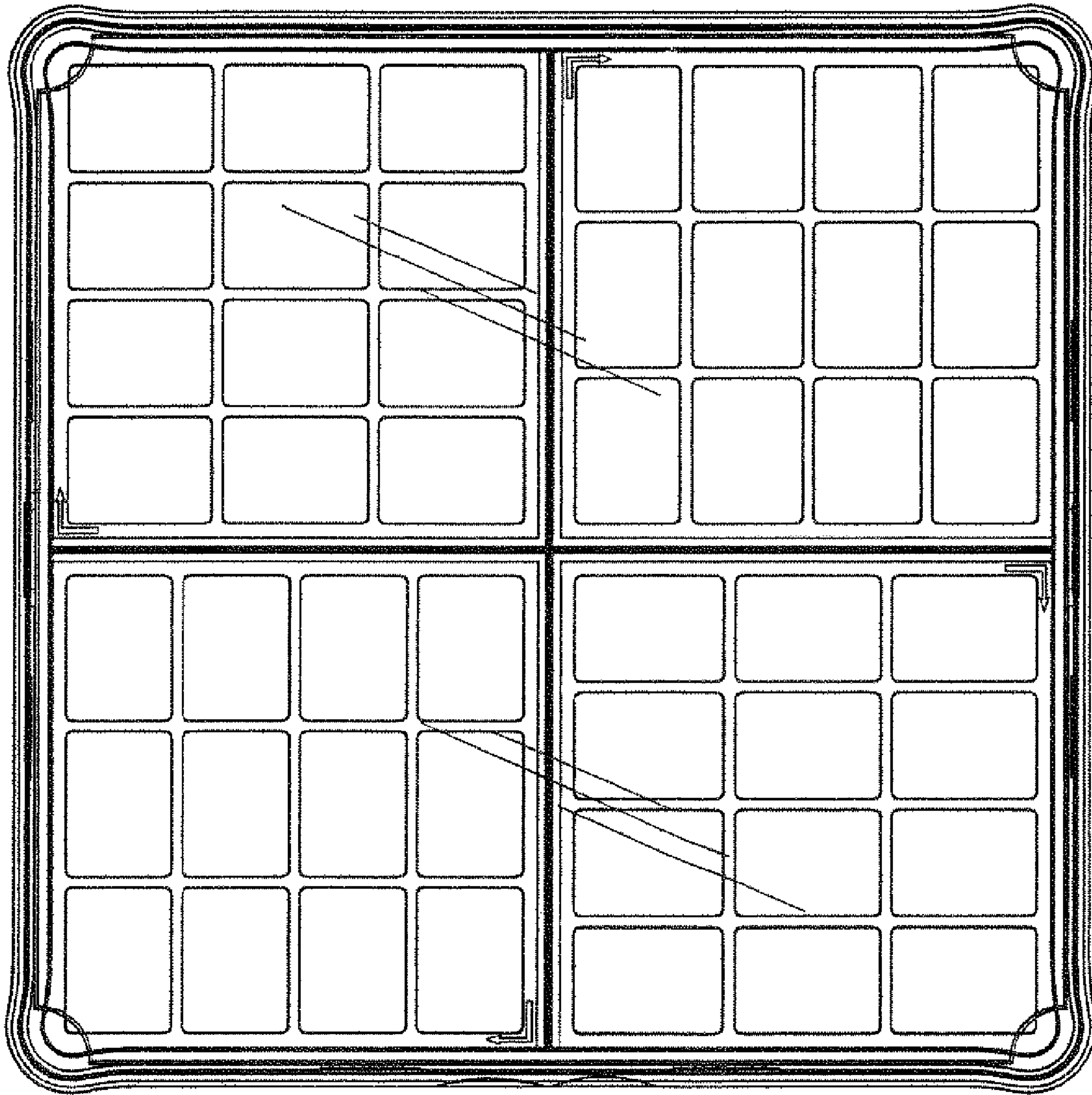


FIG. 6

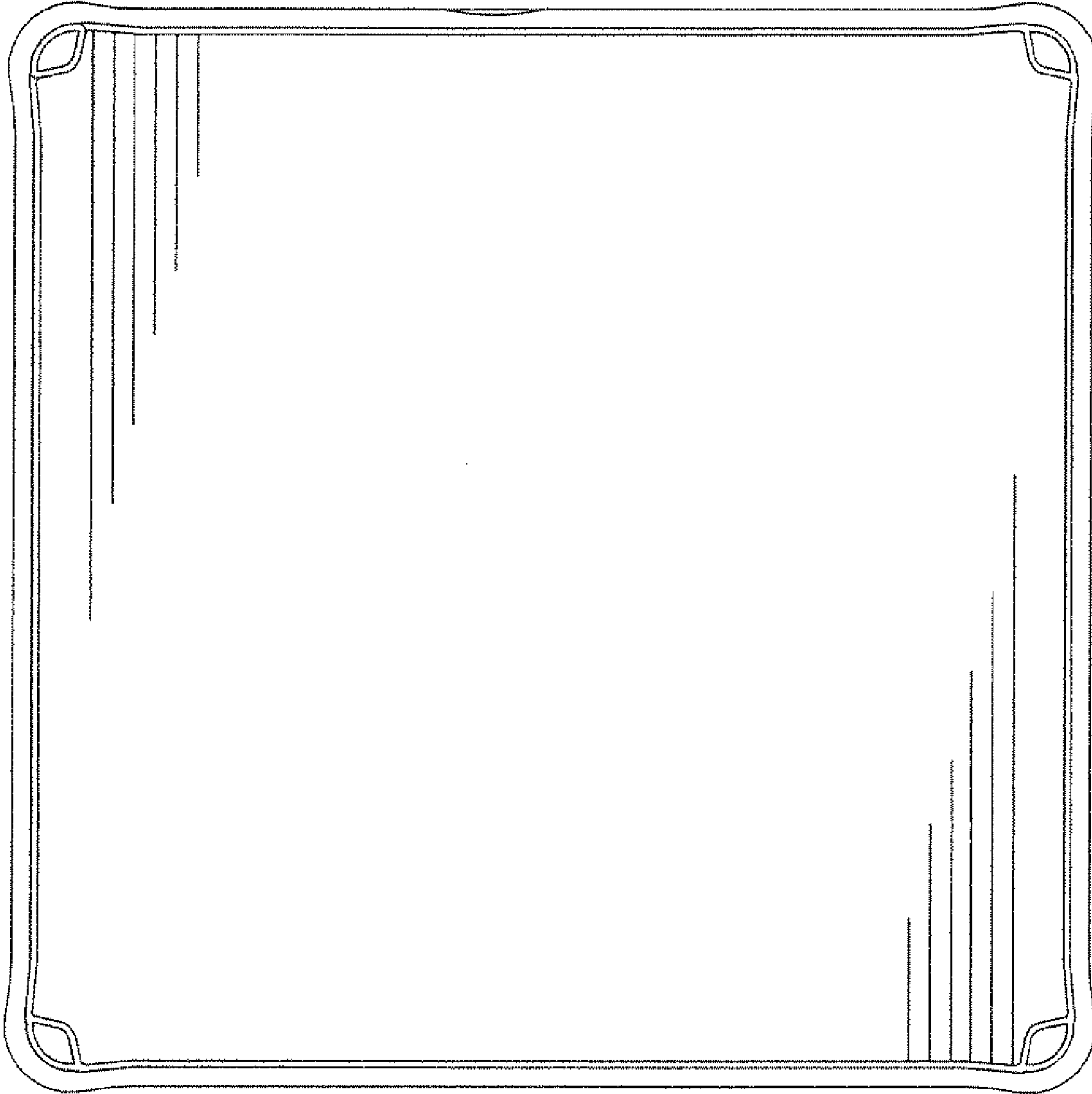


FIG. 7

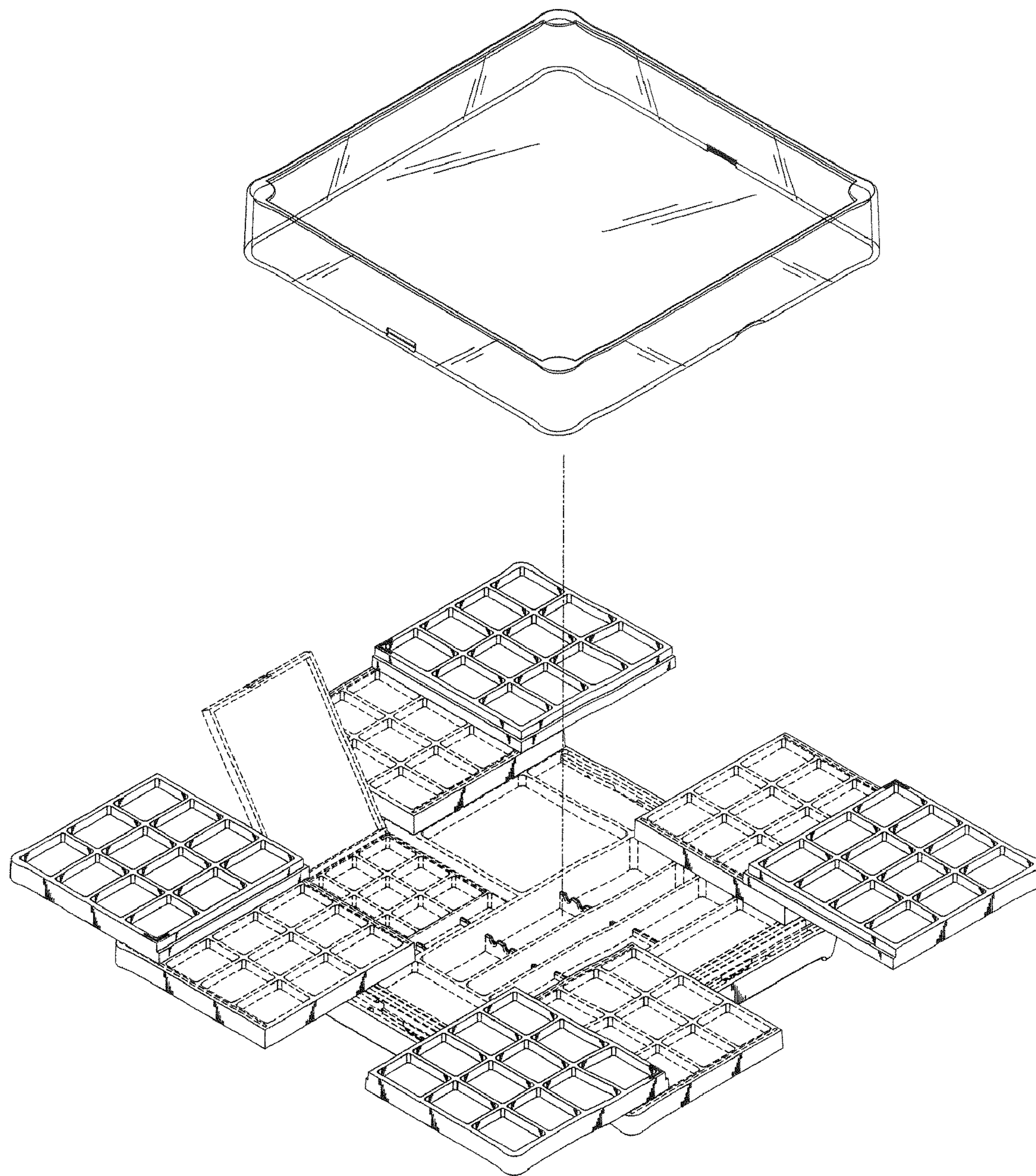


FIG. 8