



US00D641930S

(12) **United States Design Patent**
Poletto

(10) **Patent No.:** **US D641,930 S**

(45) **Date of Patent:** **** Jul. 19, 2011**

(54) **APPLICATOR FOR LIP COSMETICS**

(75) Inventor: **Anna Poletto**, Monza Brianza (IT)

(73) Assignee: **Brivaplast S.r.l.**, Milan (IT)

(**) Term: **14 Years**

(21) Appl. No.: **29/376,405**

(22) Filed: **Oct. 6, 2010**

(30) **Foreign Application Priority Data**

Apr. 6, 2010 (EM) 001690850-0003

(51) **LOC (9) Cl.** **28-02**

(52) **U.S. Cl.** **D28/76; D28/85; D28/7**

(58) **Field of Classification Search** D28/7,
D28/8, 20-22, 30-31, 76, 85, 99; 132/108,
132/202, 208, 317, 320; 401/202-207, 261-267;
D4/132-135; D24/119
See application file for complete search history.

(56) **References Cited**

U.S. PATENT DOCUMENTS

D197,107 S *	12/1963	Forgue	D28/7
D272,661 S *	2/1984	Cutler	D28/7
D307,331 S *	4/1990	Pflieder	D28/7
D527,143 S *	8/2006	Fischer	D28/7
D537,200 S *	2/2007	Montoli	D28/7

D537,564 S *	2/2007	Montoli	D28/7
D538,975 S *	3/2007	Montoli	D28/7
D539,982 S *	4/2007	Nobuto et al.	D28/76
D541,979 S *	5/2007	Montoli	D28/7
D544,644 S *	6/2007	Hartstock et al.	D28/7
D552,798 S *	10/2007	Py et al.	D28/88
D586,048 S *	2/2009	Hartstock et al.	D28/76
2007/0181143 A1 *	8/2007	Montoli	132/320

* cited by examiner

Primary Examiner — Zenia Bennett

(74) *Attorney, Agent, or Firm* — Young & Thompson

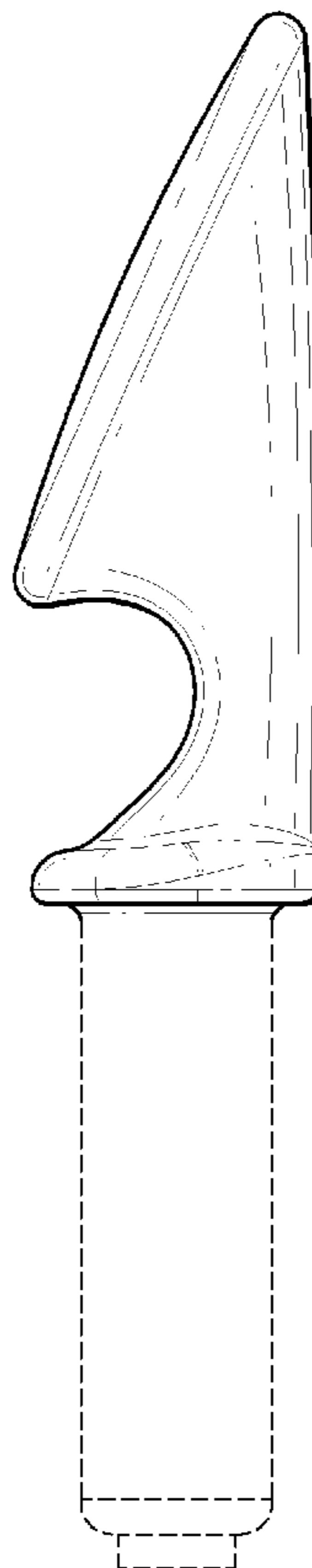
(57) **CLAIM**

The ornamental design for an applicator for lip cosmetics, as shown and described.

DESCRIPTION

FIG. 1 is a front elevational view of an applicator for lip cosmetics, showing my new design;
FIG. 2 is a rear elevational view thereof;
FIG. 3 is a view thereof from the right of FIG. 1, the view thereof from the side opposite that shown in FIG. 3 being the mirror image thereof;
FIG. 4 is a top plan view thereof;
FIG. 5 is a bottom plan view thereof; and,
FIG. 6 is a top and side perspective view thereof.
The material shown in broken lines forms no part of the claimed design.

1 Claim, 3 Drawing Sheets



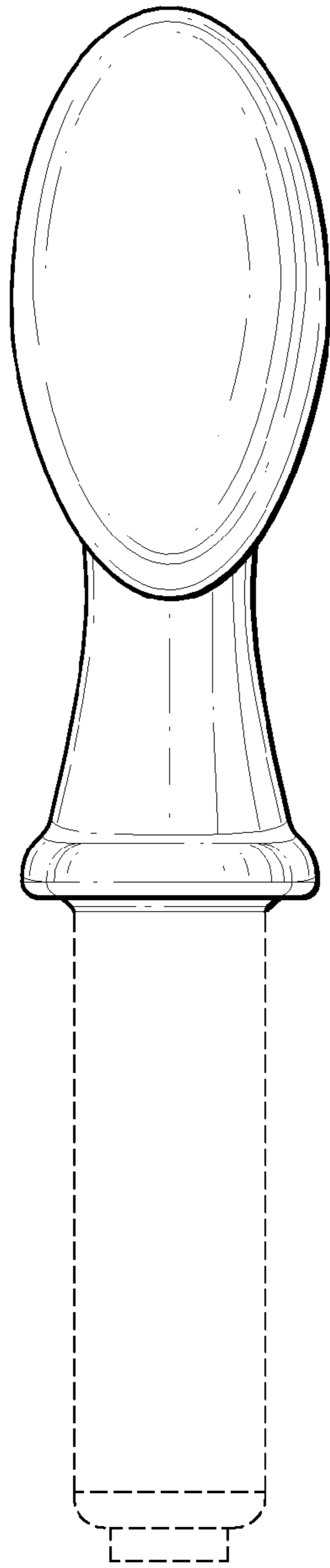


FIG. 1

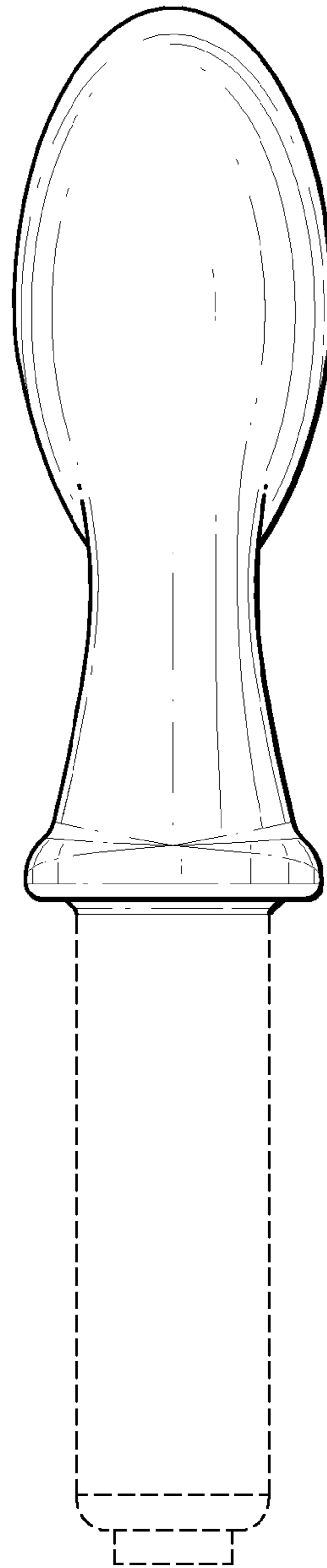


FIG. 2

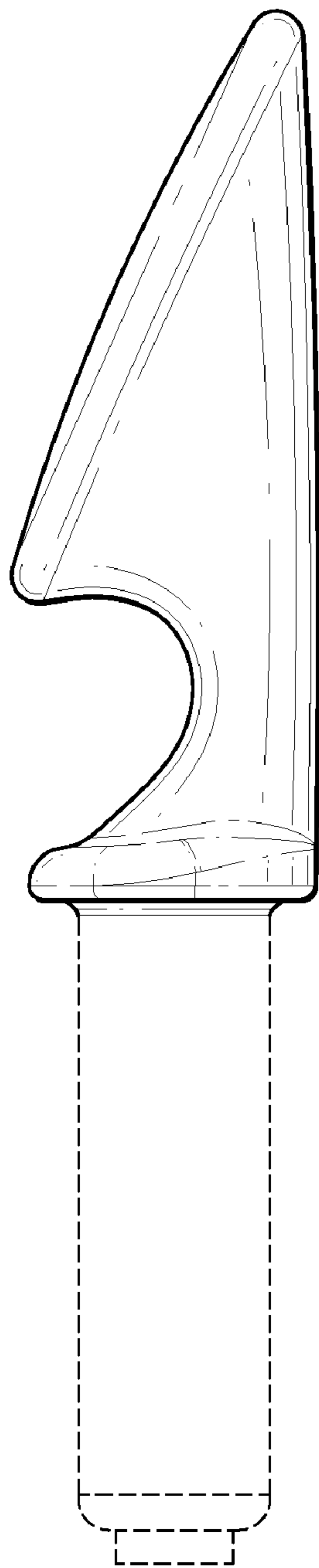


FIG. 3

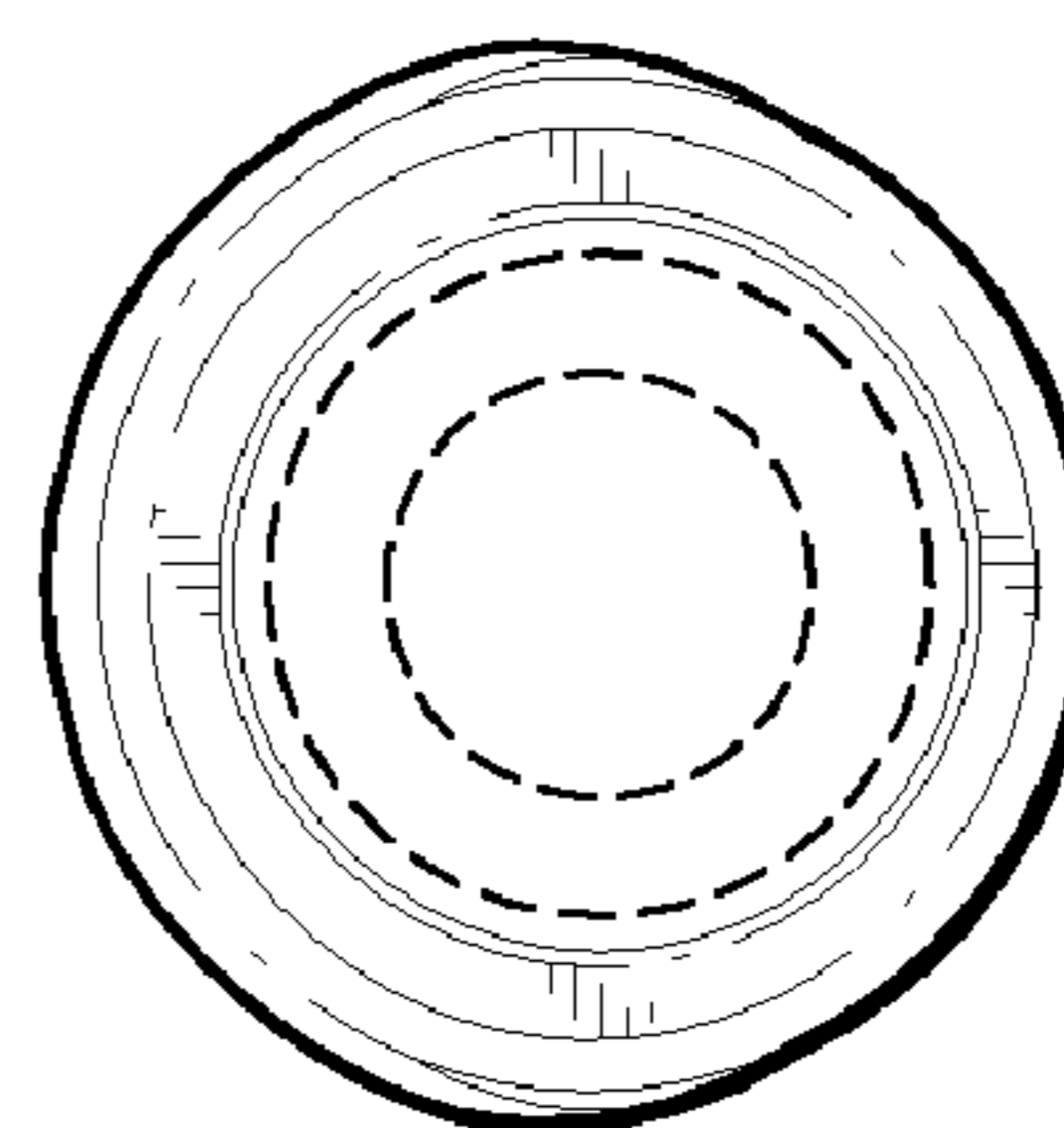


FIG. 4

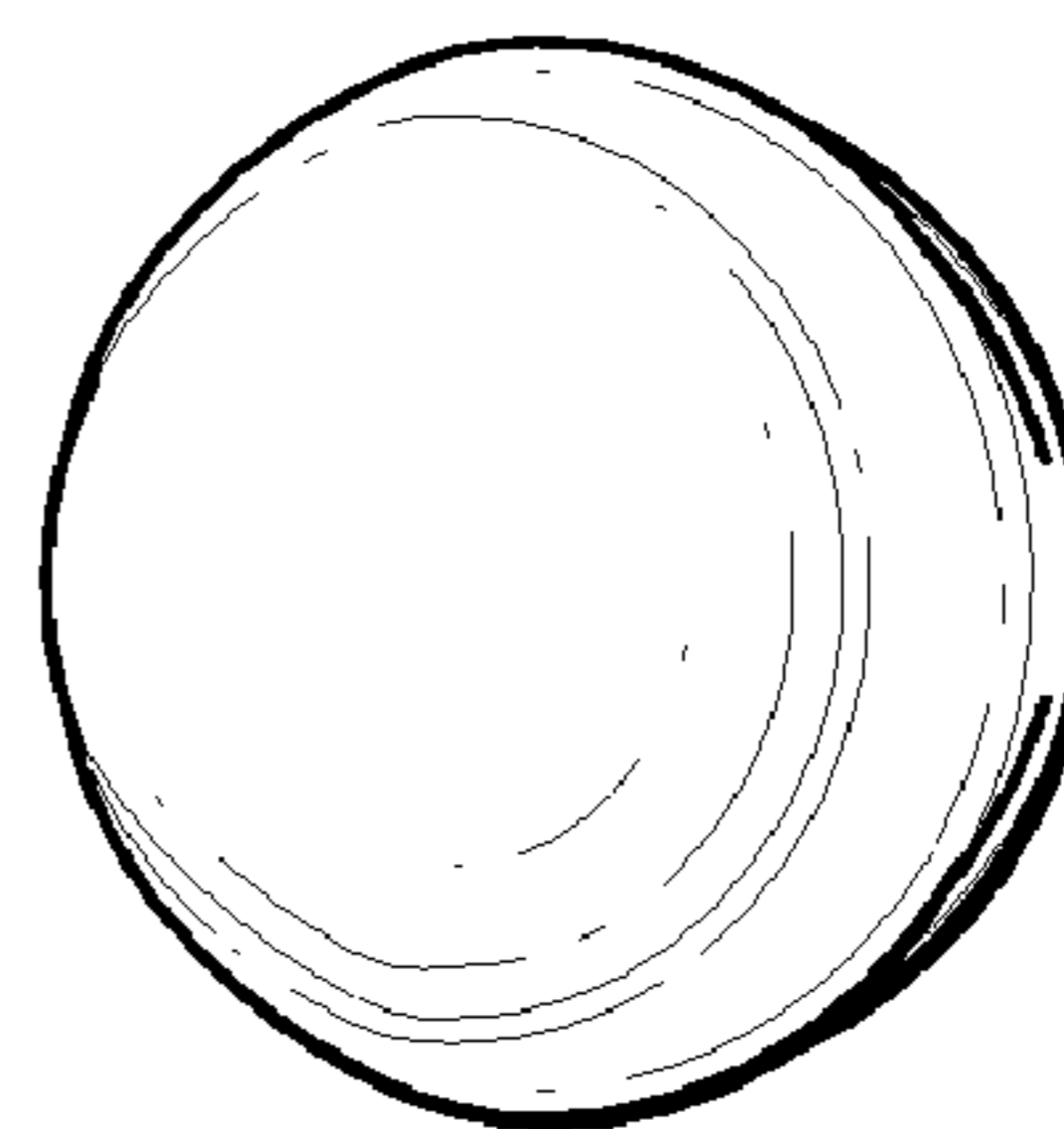


FIG. 5

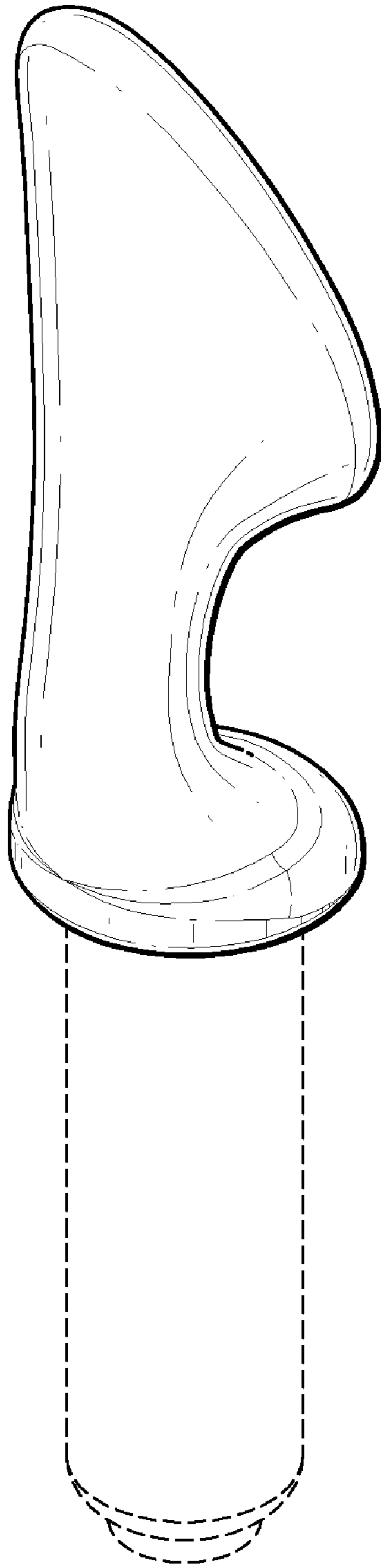


FIG. 6