



US00D641927S

(12) **United States Design Patent**
Kim

(10) **Patent No.:** **US D641,927 S**

(45) **Date of Patent:** **** Jul. 19, 2011**

(54) **HAIR IRON**

(75) Inventor: **Hae Jin Kim**, Seoul-si (KR)

(73) Assignee: **GHD Korea, Inc.**, Chungcheongnam-do (KR)

(**) Term: **14 Years**

(21) Appl. No.: **29/370,454**

(22) Filed: **Jul. 20, 2010**

(30) **Foreign Application Priority Data**

Jan. 21, 2010 (KR) 30-2010-0002503

(51) **LOC (9) Cl.** **28-03**

(52) **U.S. Cl.** **D28/35**

(58) **Field of Classification Search** D28/35,
D28/37-38; 132/222-225, 227-229, 236,
132/245; 219/222, 225-226

See application file for complete search history.

(56) **References Cited**

U.S. PATENT DOCUMENTS

D596,800 S * 7/2009 Kwok D28/35

D605,360 S * 12/2009 Kwok D28/35

D607,602 S * 1/2010 Kwok D28/35
D609,401 S * 2/2010 Yang D28/35
D618,395 S * 6/2010 Mau D28/35
D620,195 S * 7/2010 Overend et al. D28/35
2009/0114240 A1 * 5/2009 Leung 132/224

* cited by examiner

Primary Examiner — Jennifer Rivard

(74) *Attorney, Agent, or Firm* — Hoffman & Baron, LLP

(57) **CLAIM**

The ornamental design for a hair iron, as shown and described.

DESCRIPTION

FIG. 1 is a top perspective view of a hair iron showing my new design;

FIG. 2 is a right side elevation view thereof;

FIG. 3 is a left side elevation view thereof;

FIG. 4 is a front elevation view thereof;

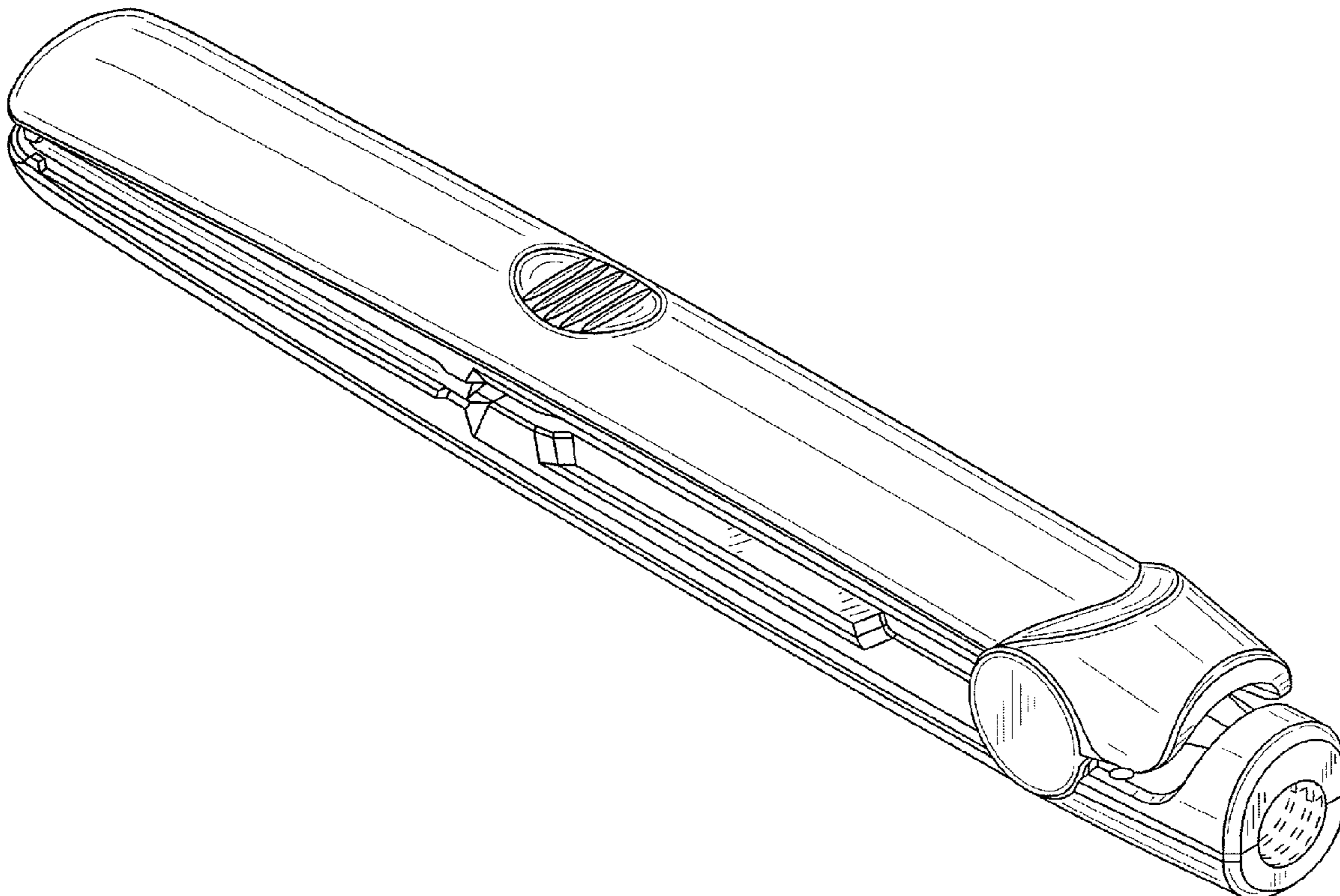
FIG. 5 is a rear elevation view thereof;

FIG. 6 is a top plan view thereof; and,

FIG. 7 is a bottom plan view thereof.

The broken lines shown in the drawings illustrate portions of the hair iron and form no part of the claimed design.

1 Claim, 4 Drawing Sheets



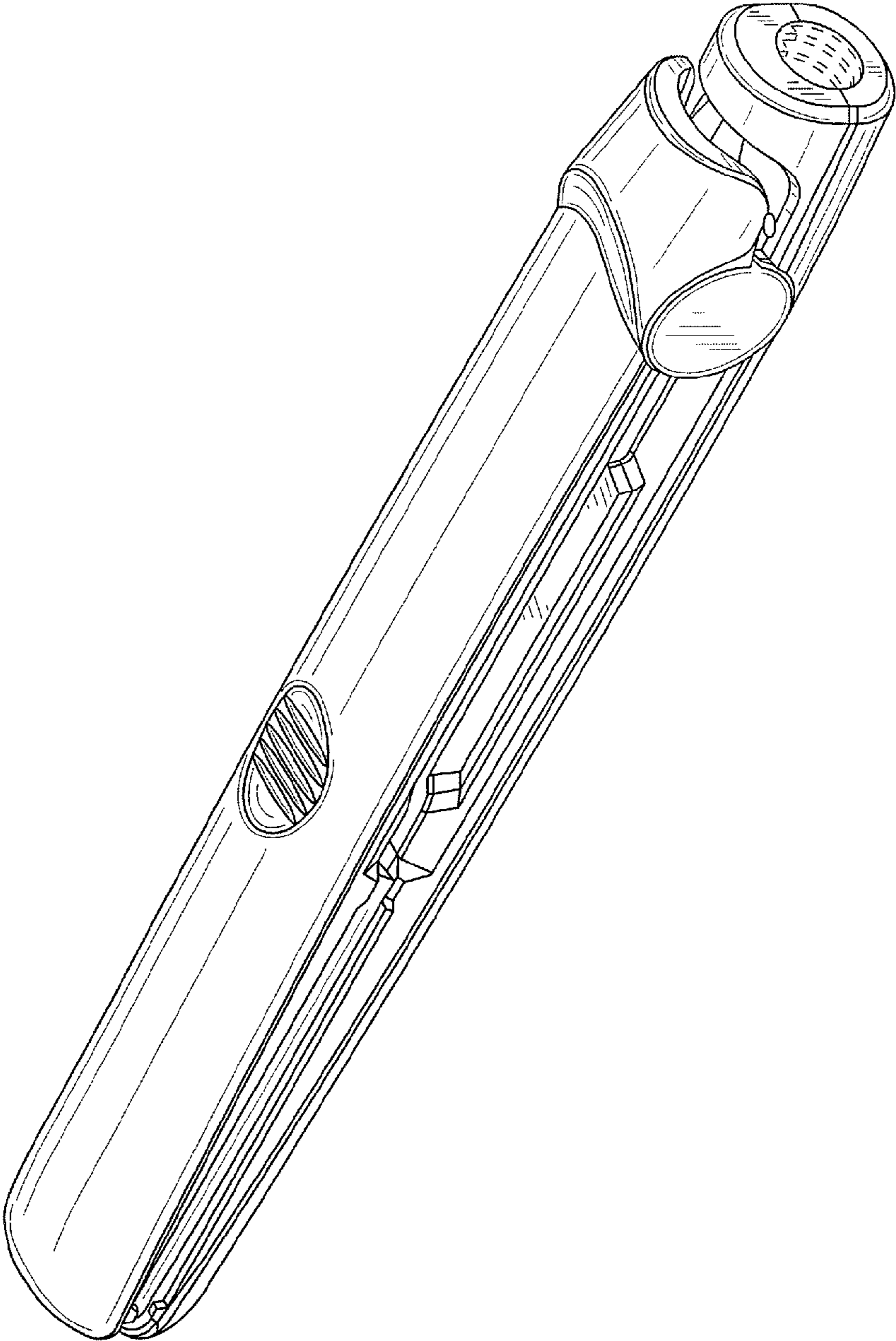


FIG. 1

FIG. 2

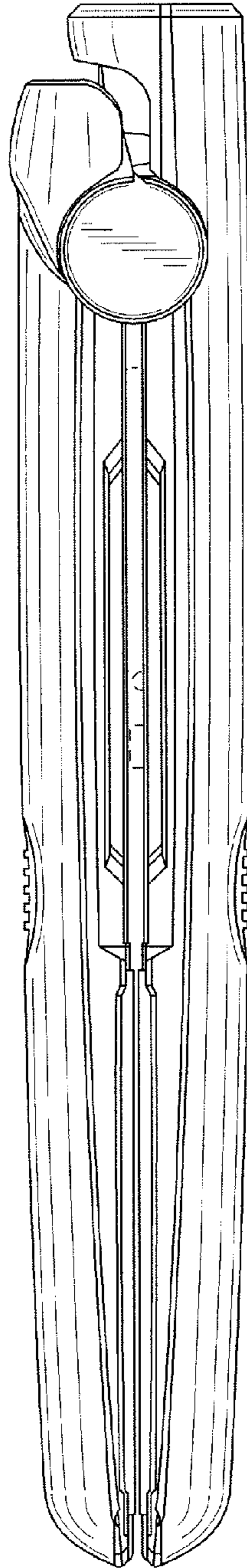


FIG. 3

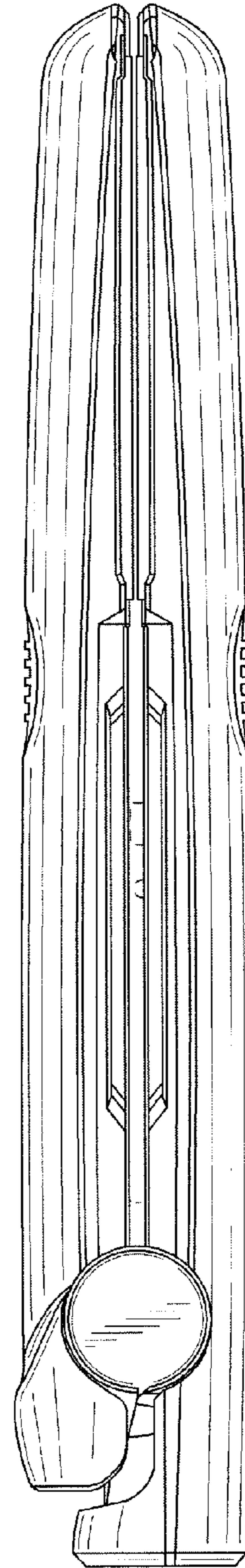


FIG. 5

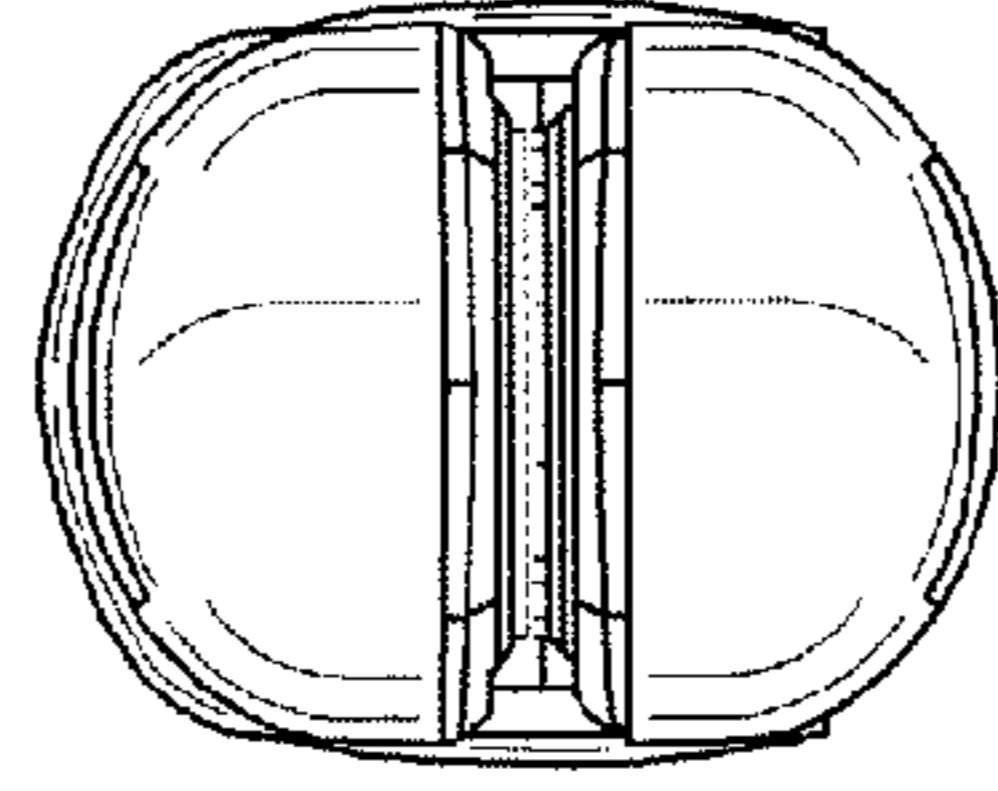


FIG. 4

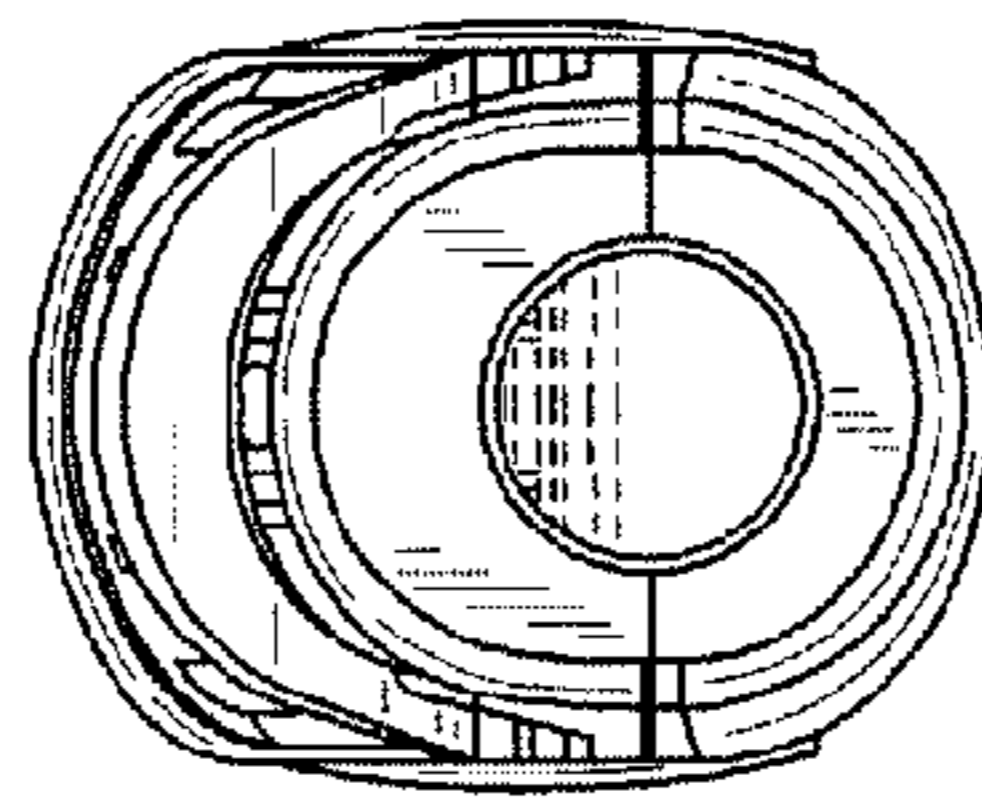


FIG. 6

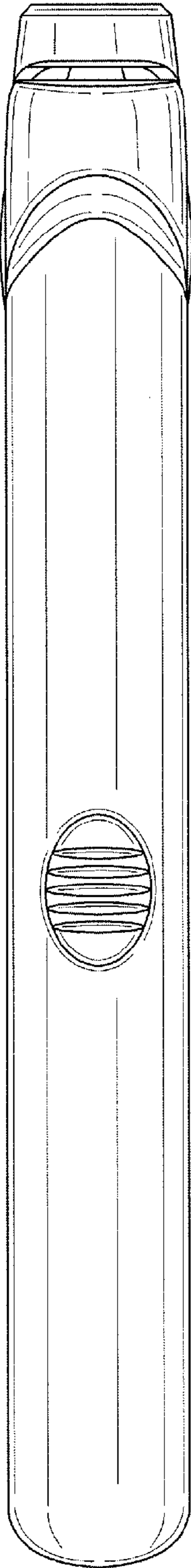


FIG. 7

