



US00D641926S

(12) **United States Design Patent**
Camarota et al.

(10) **Patent No.:** **US D641,926 S**

(45) **Date of Patent:** **** Jul. 19, 2011**

(54) **ADJUSTABLE MOUNT**

(75) Inventors: **Richard J Camarota**, Holland, MI (US); **Michael K VanDuinen**, West Olive, MI (US)

(73) Assignee: **ITC, Inc.**, Holland, MI (US)

(**) Term: **14 Years**

(21) Appl. No.: **29/375,335**

(22) Filed: **Sep. 21, 2010**

(51) **LOC (9) Cl.** **26-99**

(52) **U.S. Cl.** **D26/140**

(58) **Field of Classification Search** D26/118, D26/138, 2, 24, 26, 28, 37, 74, 142, 152, D26/63, 68, 140, 80, 72, 76, 78, 92, 113, D26/119, 120, 121, 122, 123, 124, 128, 129, D26/130, 145, 147, 153, 154, 155, 65, 71, D26/85, 88, 89, 90, 84, 75, 107, 87; 362/394, 362/364, 365, 147, 418, 293, 362, 326, 290, 362/249.01-249.11, 148, 396, 287, 275, 362/276; 250/342, 347; D25/123, 138; 439/111, 439/121, 122, 119, 120; D13/134, 179, 180, D13/133

See application file for complete search history.

(56) **References Cited**

U.S. PATENT DOCUMENTS

D173,139	S	*	10/1954	Black	D26/138
D175,528	S	*	9/1955	Atkin	D26/138
D315,030	S	*	2/1991	Jacobs et al.	D26/63
D321,410	S	*	11/1991	Layne	D26/138
D336,536	S	*	6/1993	Shaanan et al.	D26/140
D361,149	S	*	8/1995	Wedell	D26/63
5,504,665	A	*	4/1996	Osteen et al.	362/287
D376,865	S	*	12/1996	Chan	D26/60
D434,165	S	*	11/2000	Hiller et al.	D26/65
D454,219	S	*	3/2002	Thompson	D26/63
D463,055	S	*	9/2002	Layne et al.	D26/63
6,808,292	B2	*	10/2004	Wong	362/656

6,902,200	B1	*	6/2005	Beadle	285/185
D518,909	S	*	4/2006	Mullen	D26/61
RE39,084	E	*	5/2006	Hagen	362/418
D557,439	S	*	12/2007	Hsu	D26/83
D570,513	S	*	6/2008	Vice	D26/63
D570,535	S	*	6/2008	Kinnune et al.	D26/142
7,494,252	B1	*	2/2009	Thornton et al.	362/294
7,520,763	B1	*	4/2009	Buse	439/121
7,563,016	B1	*	7/2009	Mier-Langner et al.	362/648
2010/0118538	A1	*	5/2010	Kay	362/271

OTHER PUBLICATIONS

Sea Gull Lighting, www.seagulllighting.com, 9417-15, LX Directional Luminaire White. 2010 Full Line Catalog, 2009 Ambiance Lighting Catalog.

* cited by examiner

Primary Examiner — Cathron C Brooks

Assistant Examiner — Kevin Rudzinski

(74) *Attorney, Agent, or Firm* — Miller Canfield Paddock and Stone, P.L.C.; Timothy J. Engling

(57) **CLAIM**

An ornamental design for an adjustable mount, as shown and described.

DESCRIPTION

FIG. 1 is a perspective view of the adjustable mount in a straight orientation;

FIG. 2 is a side view of the mount;

FIG. 3 is a side view of the mount;

FIG. 4 is an end view of the mount;

FIG. 5 is an end view of the mount;

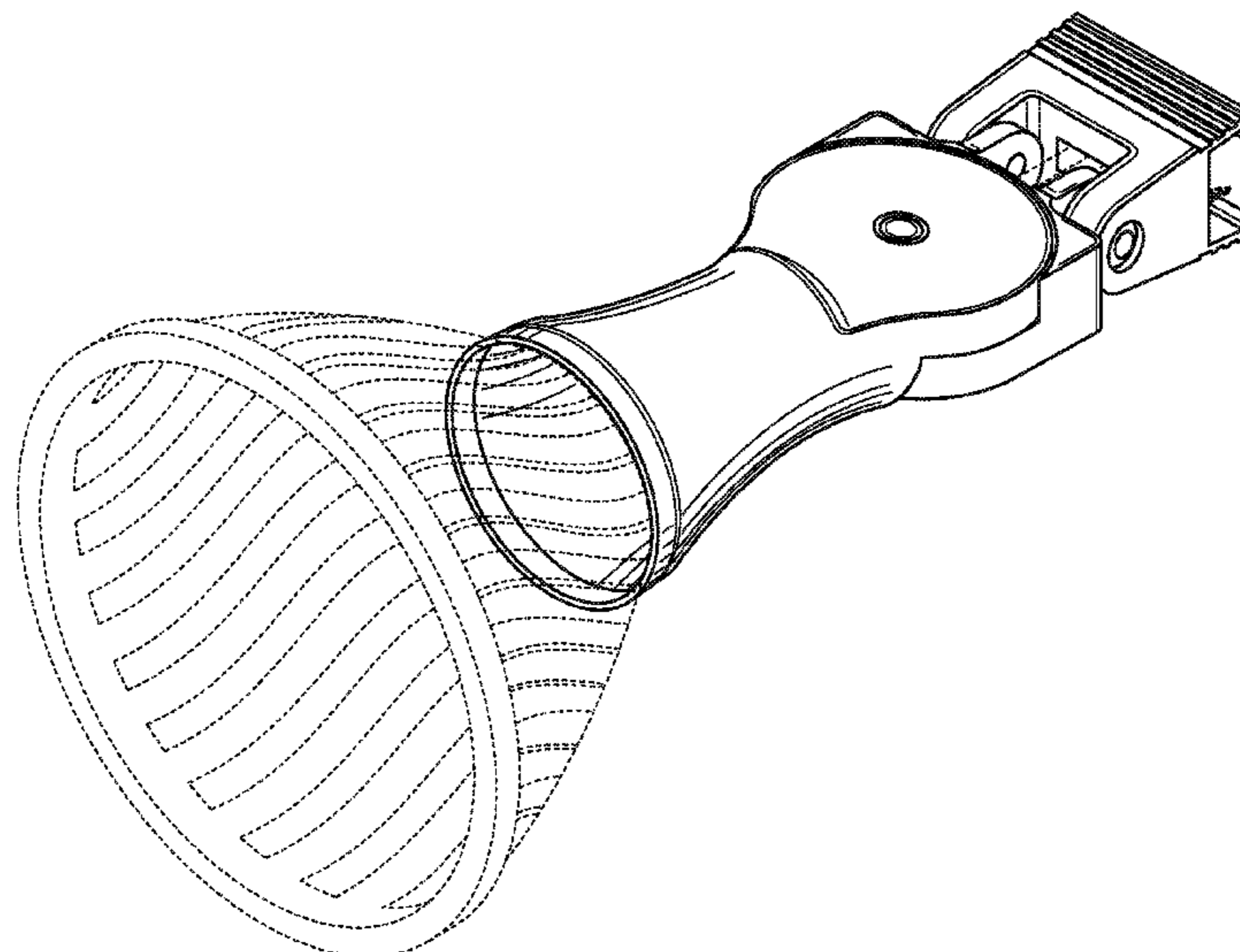
FIG. 6 is a top view of the mount;

FIG. 7 is a bottom view of the top of the mount; and,

FIG. 8 is a perspective view of the mount pivoted on both axes.

The broken line illustration of the light globe, wires and connector pins shown in all views illustrate environmental structure and forms no part of the claimed design.

1 Claim, 4 Drawing Sheets



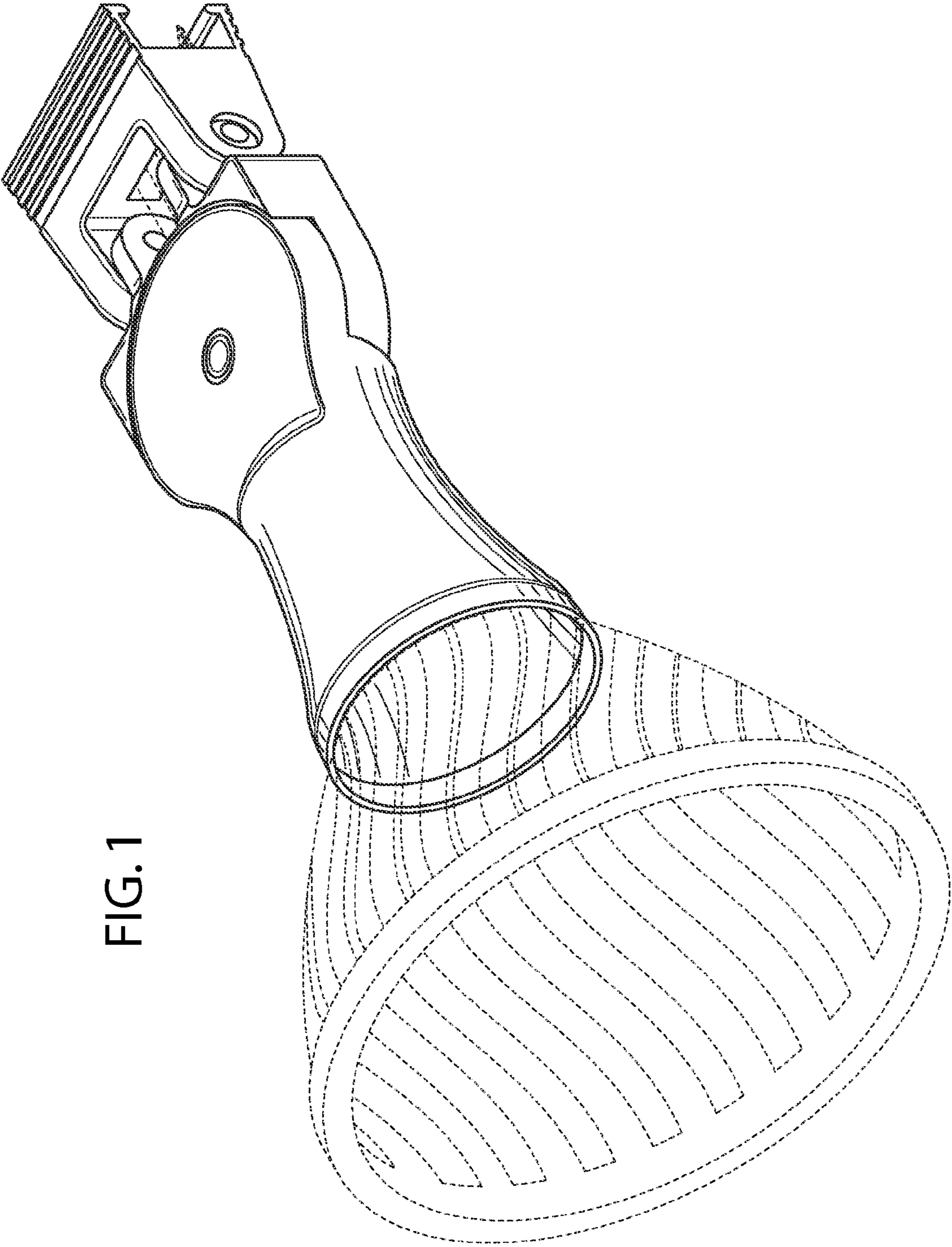


FIG. 1

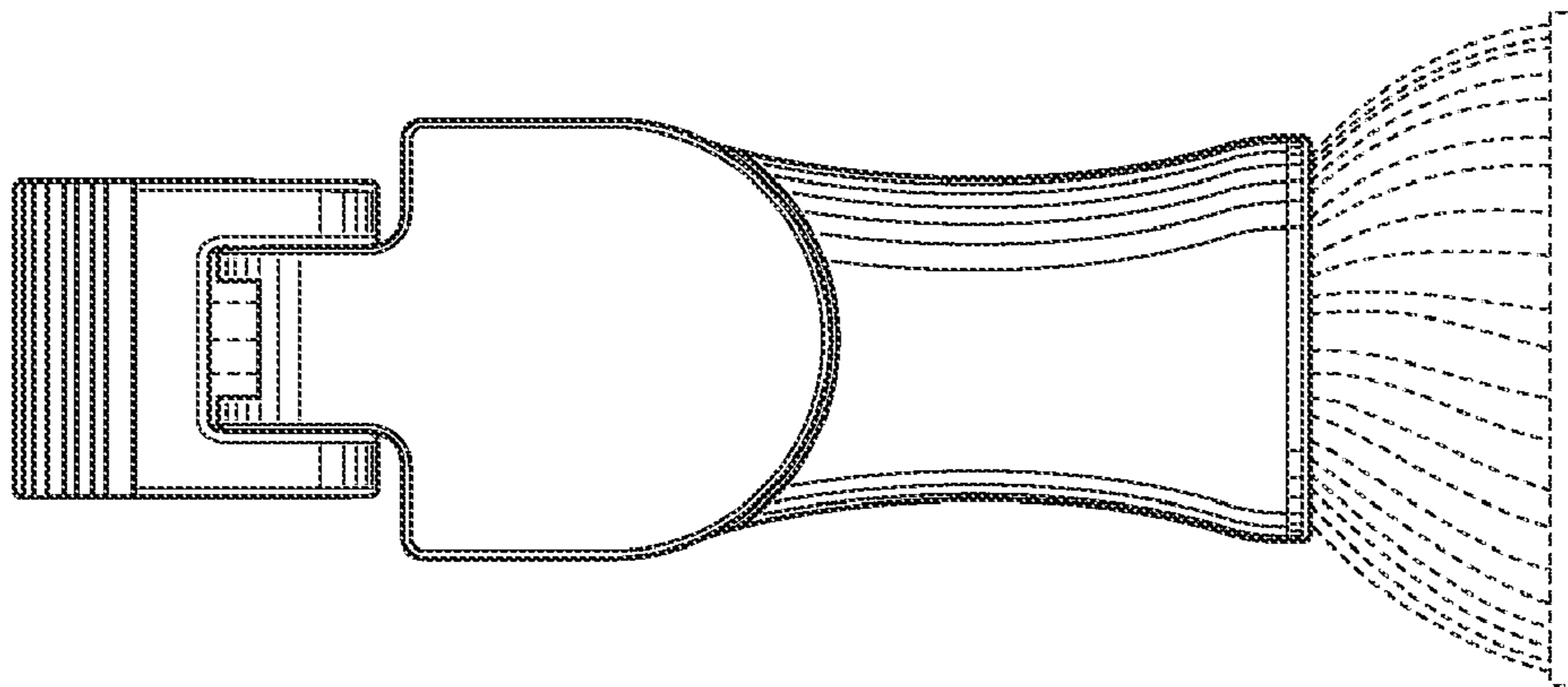


FIG. 2

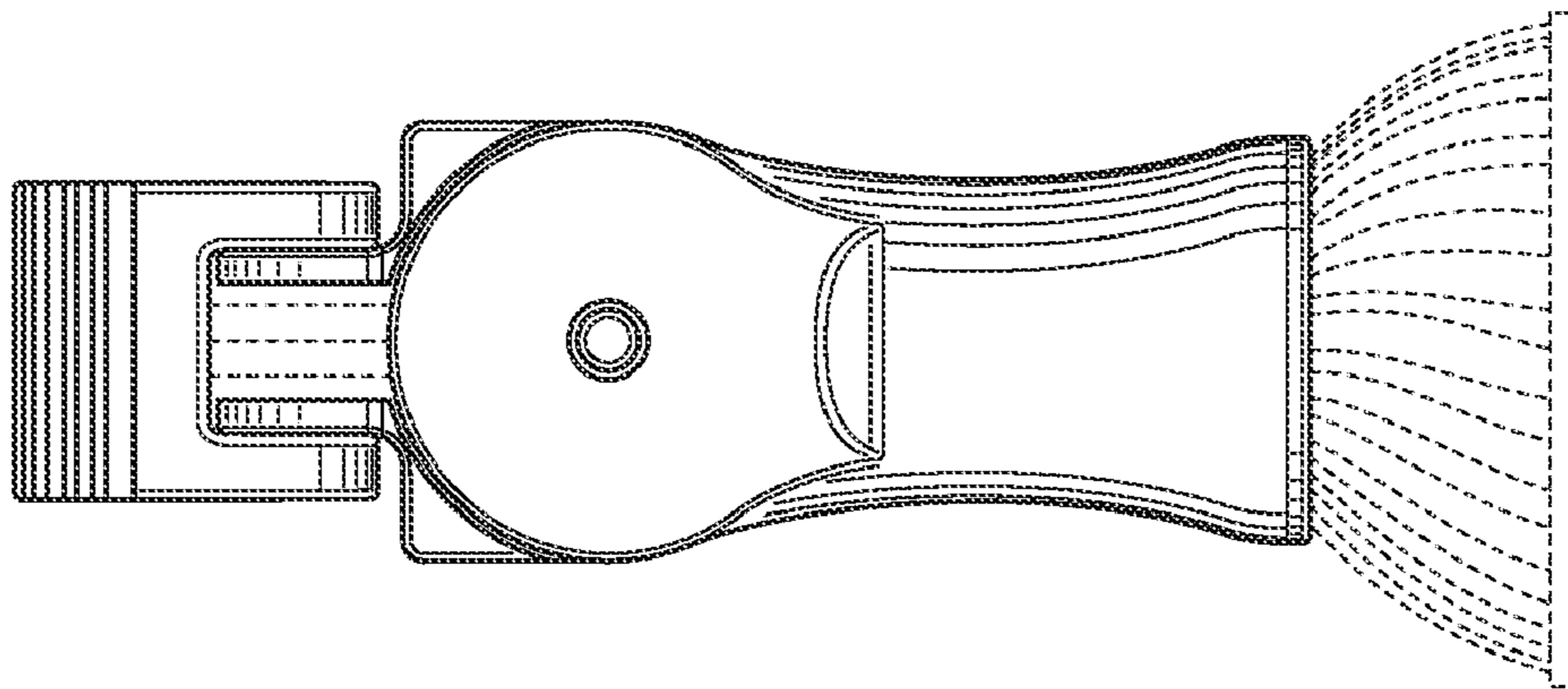


FIG. 3

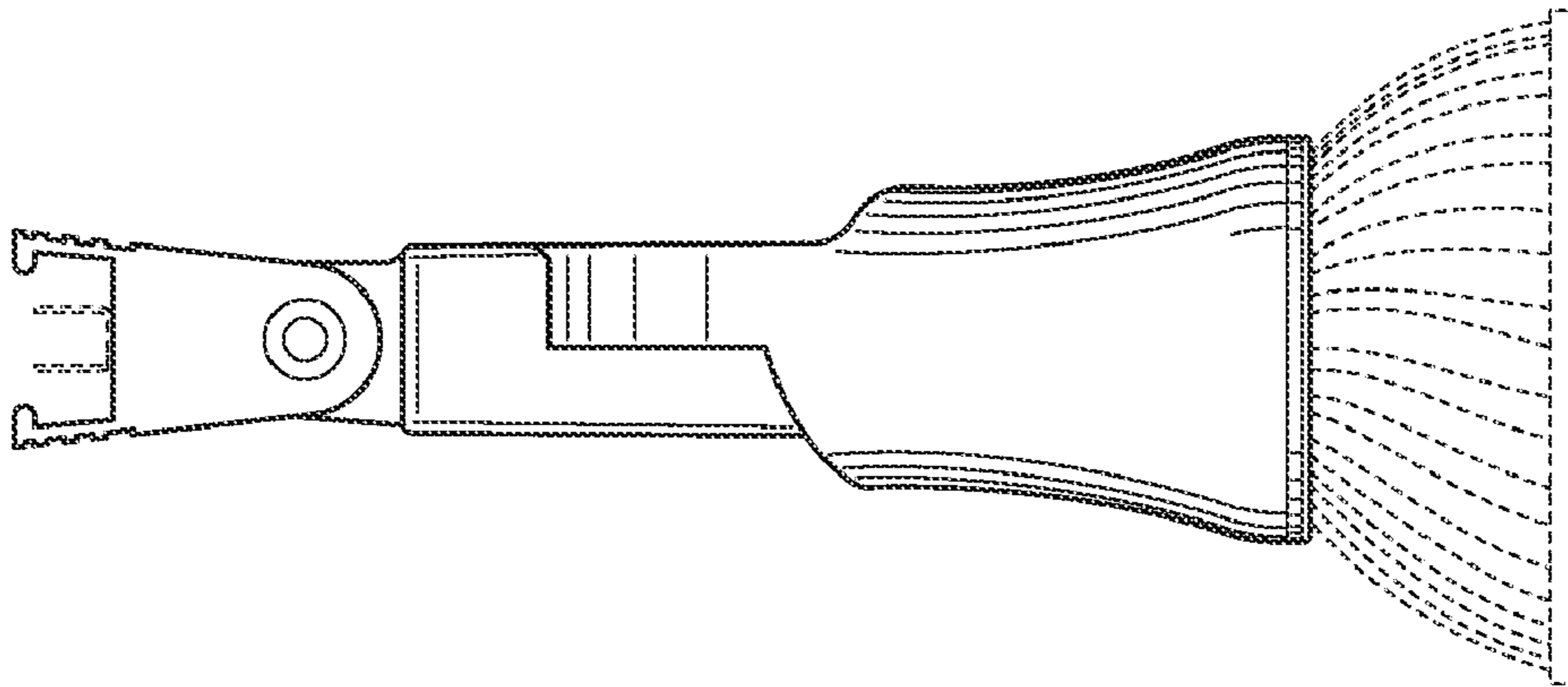


FIG. 4

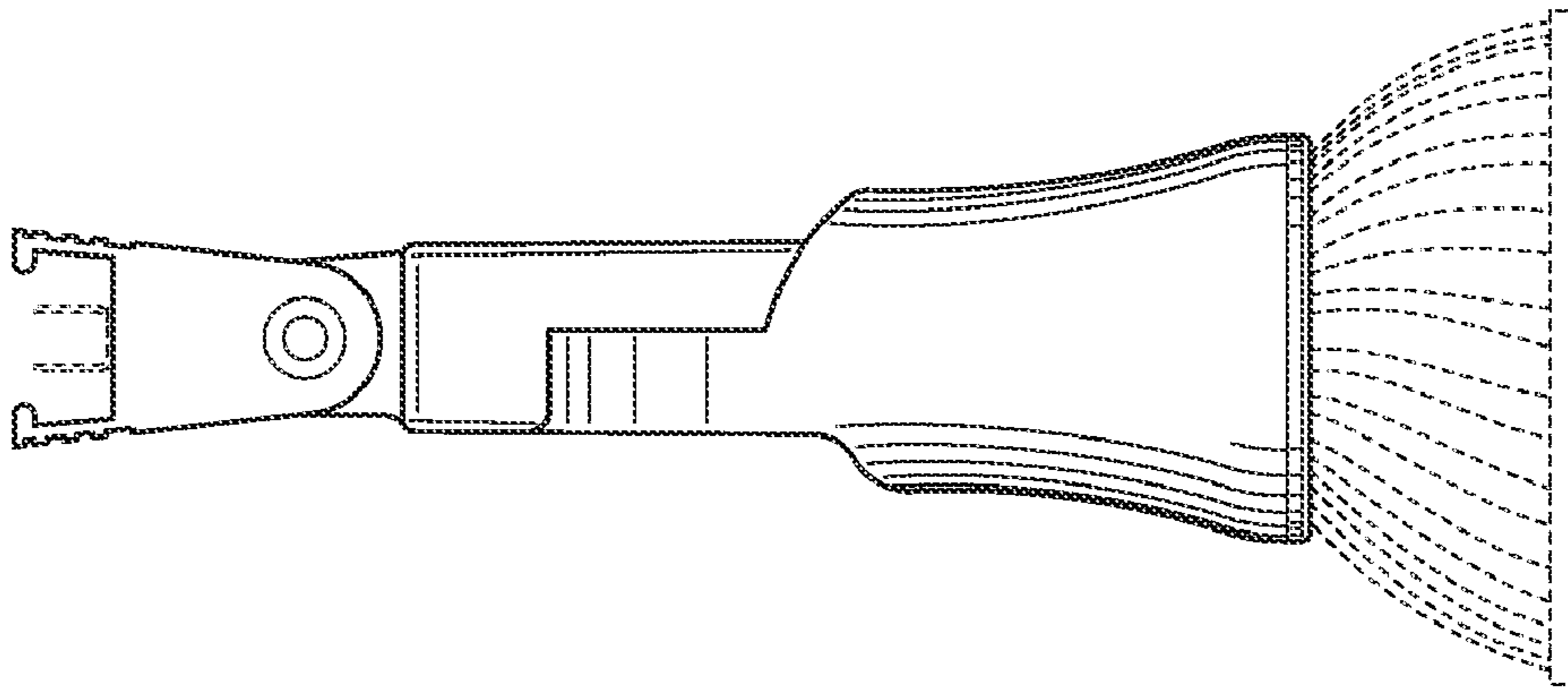


FIG. 5

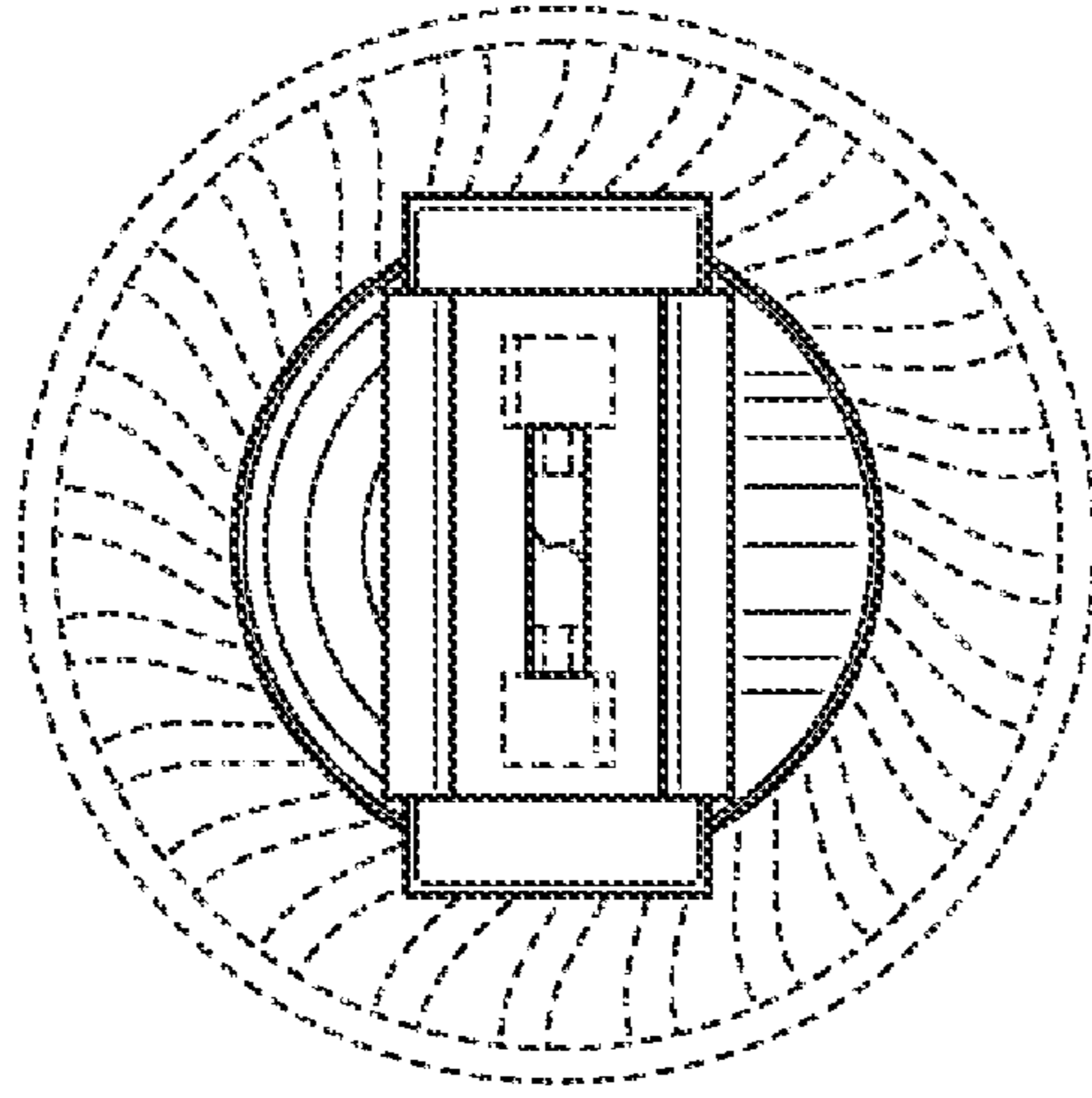


FIG. 6

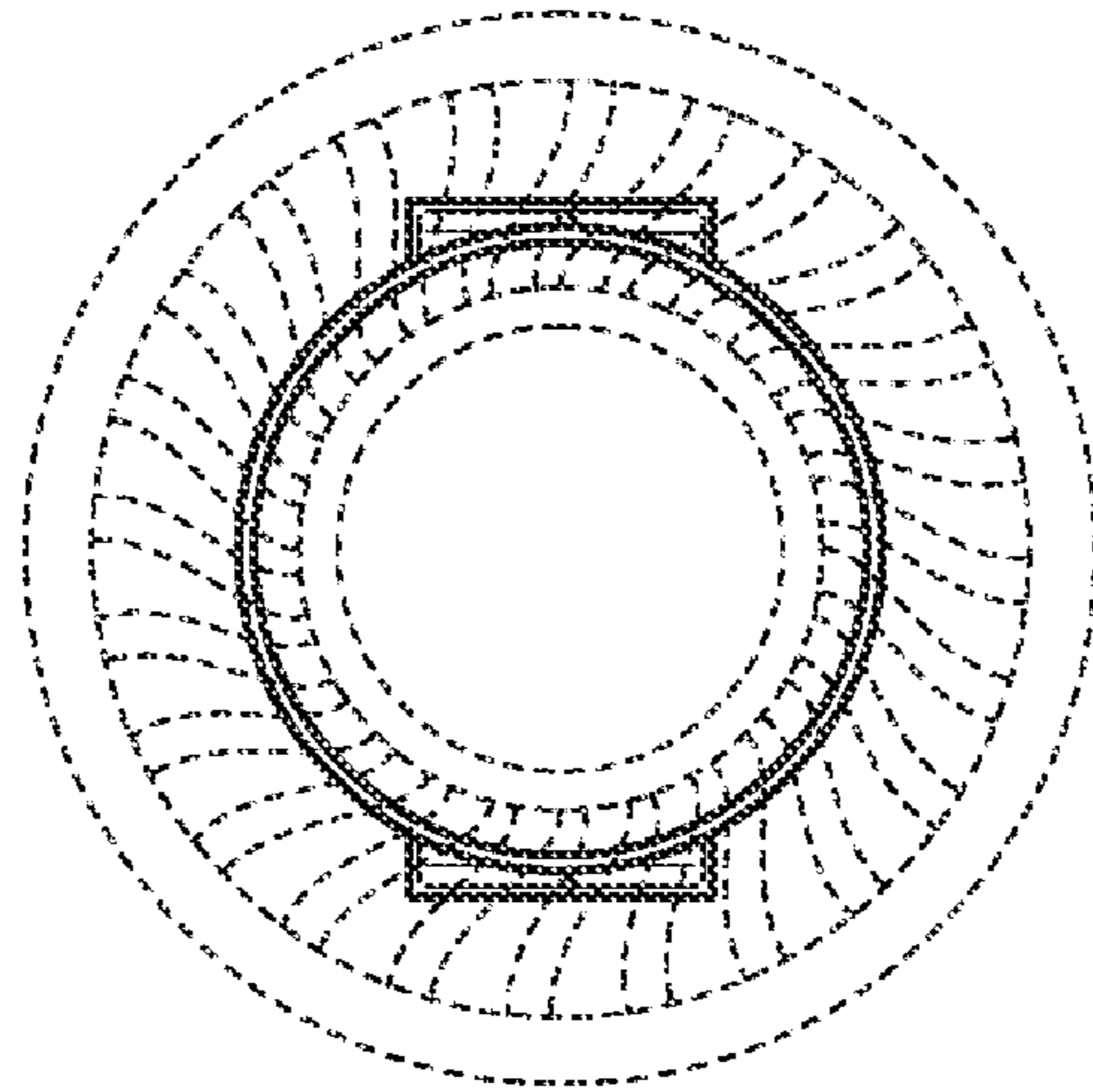


FIG. 7

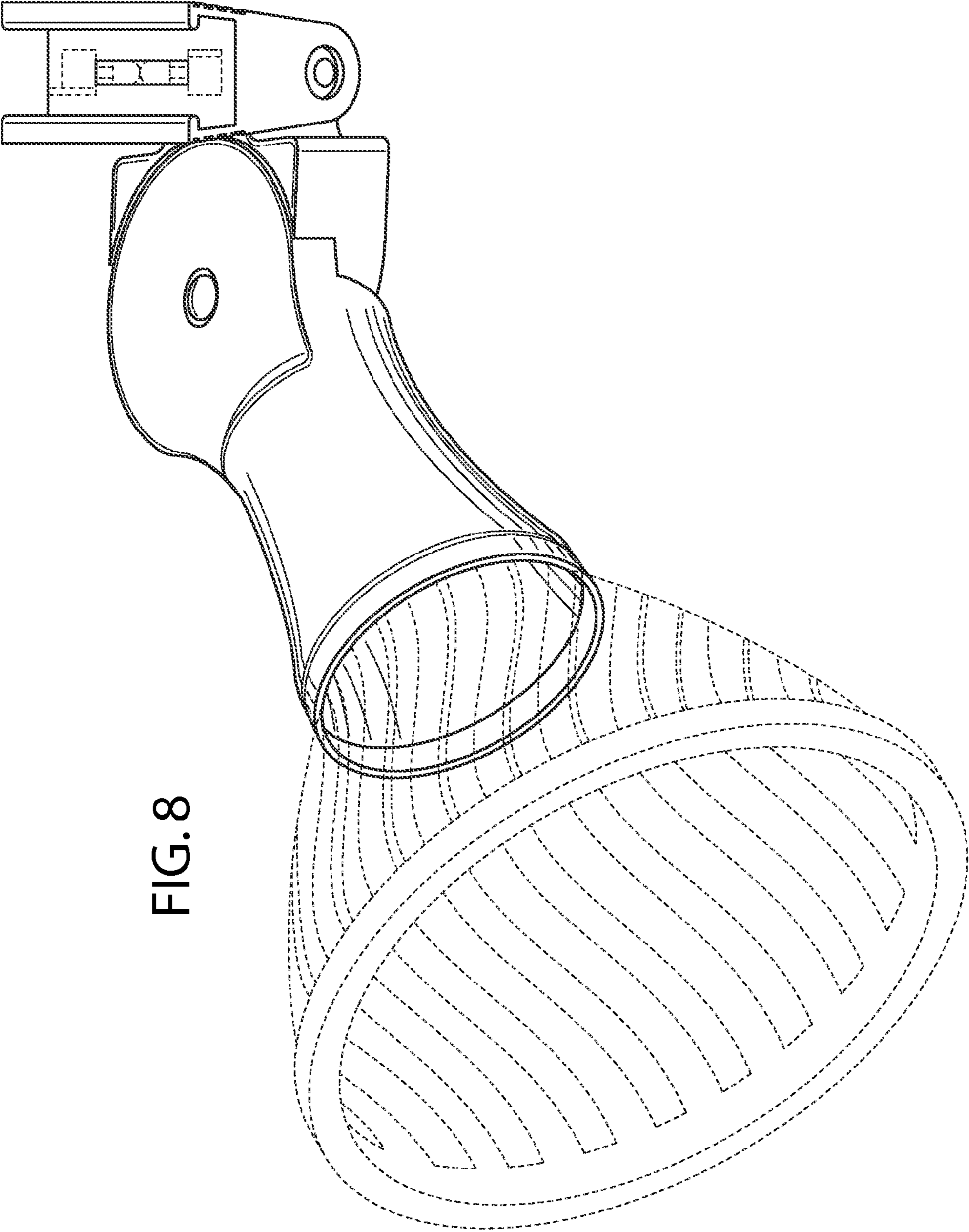


FIG. 8