



US00D641924S

(12) **United States Design Patent**
Daniels

(10) **Patent No.:** **US D641,924 S**

(45) **Date of Patent:** **** Jul. 19, 2011**

(54) **BOAT TRAILER GUIDE POST LIGHT MOUNTING BRACKET**

(76) Inventor: **Cora Janet Daniels**, Hanahan, SC (US)

(**) Term: **14 Years**

(21) Appl. No.: **29/372,379**

(22) Filed: **Nov. 12, 2010**

(51) **LOC (9) Cl.** **26-99**

(52) **U.S. Cl.** **D26/138**

(58) **Field of Classification Search** D26/125,
D26/49, 46, 37, 118, 71, 92, 85, 87, 128,
D26/63, 65, 88, 76, 120, 113, 119, 138, 2,
D26/67, 72, 93, 123, 129, 130, 24, 107, 108,
D26/62, 109, 51, 127, 122, 131, 140, 141,
D26/142, 143, 144, 145, 58, 60, 68; 362/101,
362/34, 346, 223, 294, 549, 109, 190, 192,
362/249.01-249.11, 98, 99, 16, 17, 18, 19;
D13/179, 180; D23/411; 424/401, 402,
424/403, 404, 405; D8/353; 248/158, 122.1;
D25/124; D16/135, 131, 244, 136; D15/90;
359/801, 802, 807, 812; 119/245, 246, 247,
119/253, 256, 266

See application file for complete search history.

(56) **References Cited**

U.S. PATENT DOCUMENTS

D224,085	S	*	7/1972	Cuva	D8/363
D319,575	S	*	9/1991	Young	D8/395
5,181,774	A	*	1/1993	Lane	362/549
D333,012	S	*	2/1993	Fleming	D26/138
D354,677	S	*	1/1995	Troyer	D8/396
D384,710	S	*	10/1997	Pahel	D21/694
D408,273	S	*	4/1999	Senninger	D8/356

7,077,302	B2	*	7/2006	Chuang	224/420
D526,743	S	*	8/2006	Battista et al.	D27/161
D614,345	S	*	4/2010	Bertken	D26/138
2005/0007778	A1	*	1/2005	Lin	362/250

* cited by examiner

Primary Examiner — Cathron Brooks

Assistant Examiner — Kevin Rudzinski

(57) **CLAIM**

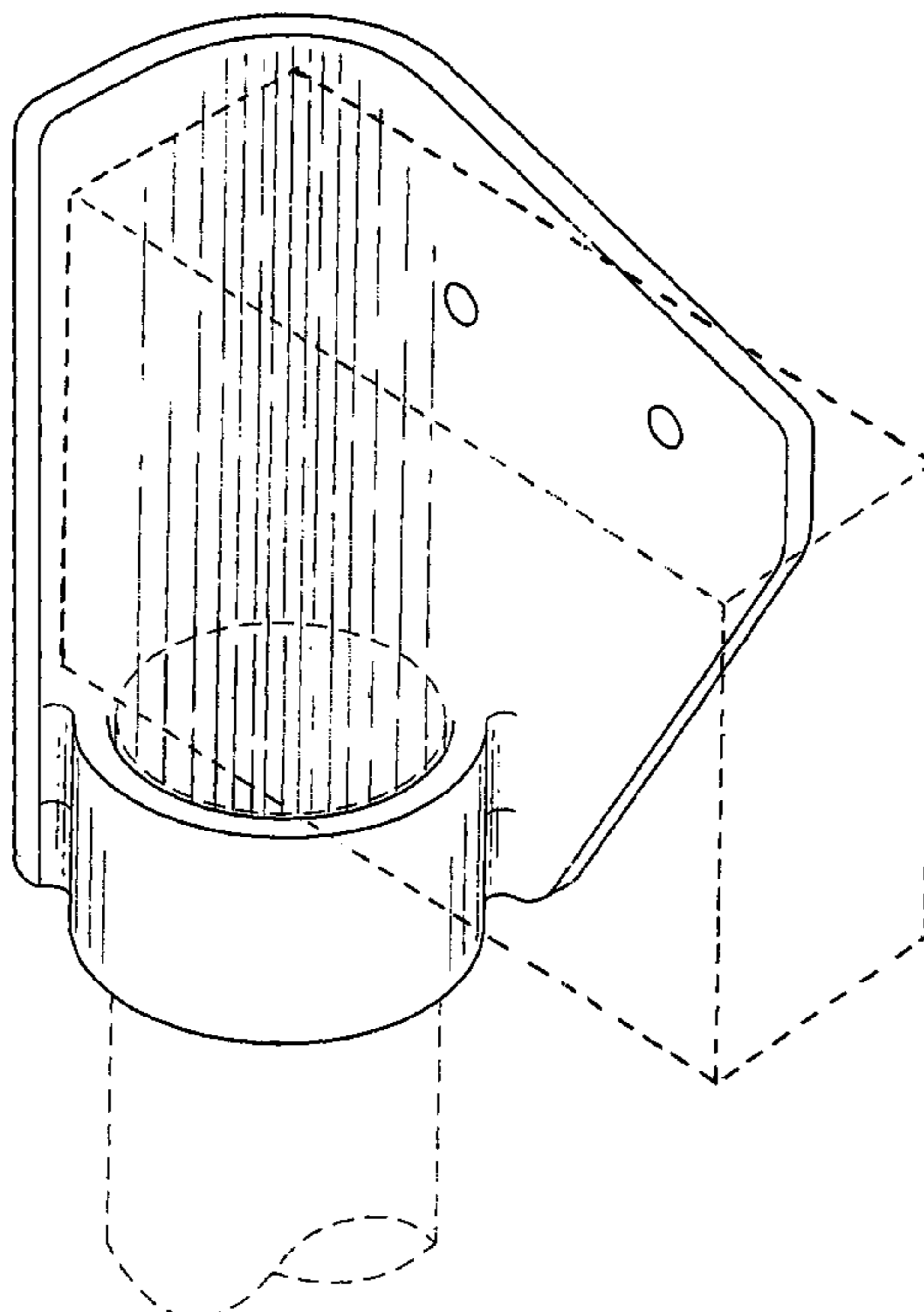
The ornamental design for a boat trailer guide post light mounting bracket, as shown and described.

DESCRIPTION

FIG. 1 is a front perspective view of a boat trailer guide post light mounting bracket, showing my new design in condition of use on a right side guide post;
FIG. 2 is a front elevational view thereof;
FIG. 3 is a right side elevational view thereof;
FIG. 4 is a top plan view thereof;
FIG. 5 is a rear elevational view thereof;
FIG. 6 is a left side elevational view thereof;
FIG. 7 is a bottom plan view thereof;
FIG. 8 is a front elevational view of a boat trailer guide post light mounting bracket, showing my new design for use on a left side guide post;
FIG. 9 is a left side elevational view thereof;
FIG. 10 is a top plan view thereof;
FIG. 11 is a rear elevational view thereof;
FIG. 12 is a right side elevational view thereof; and,
FIG. 13 is a bottom plan view thereof.

The broken line showing of a guide post and a light in FIG. 1 illustrate environmental structure and forms no part of the claimed design.

1 Claim, 5 Drawing Sheets



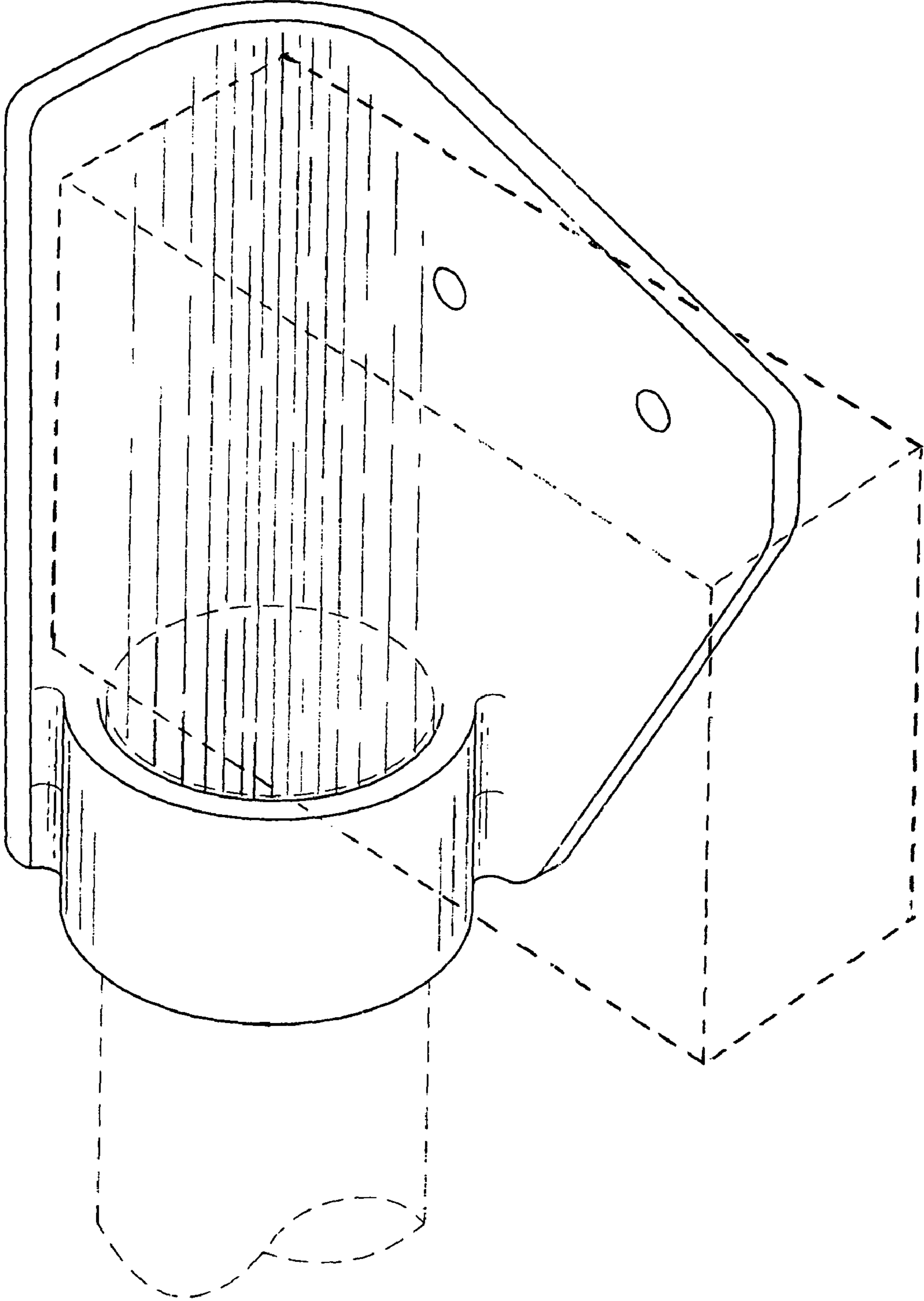


Fig. 1

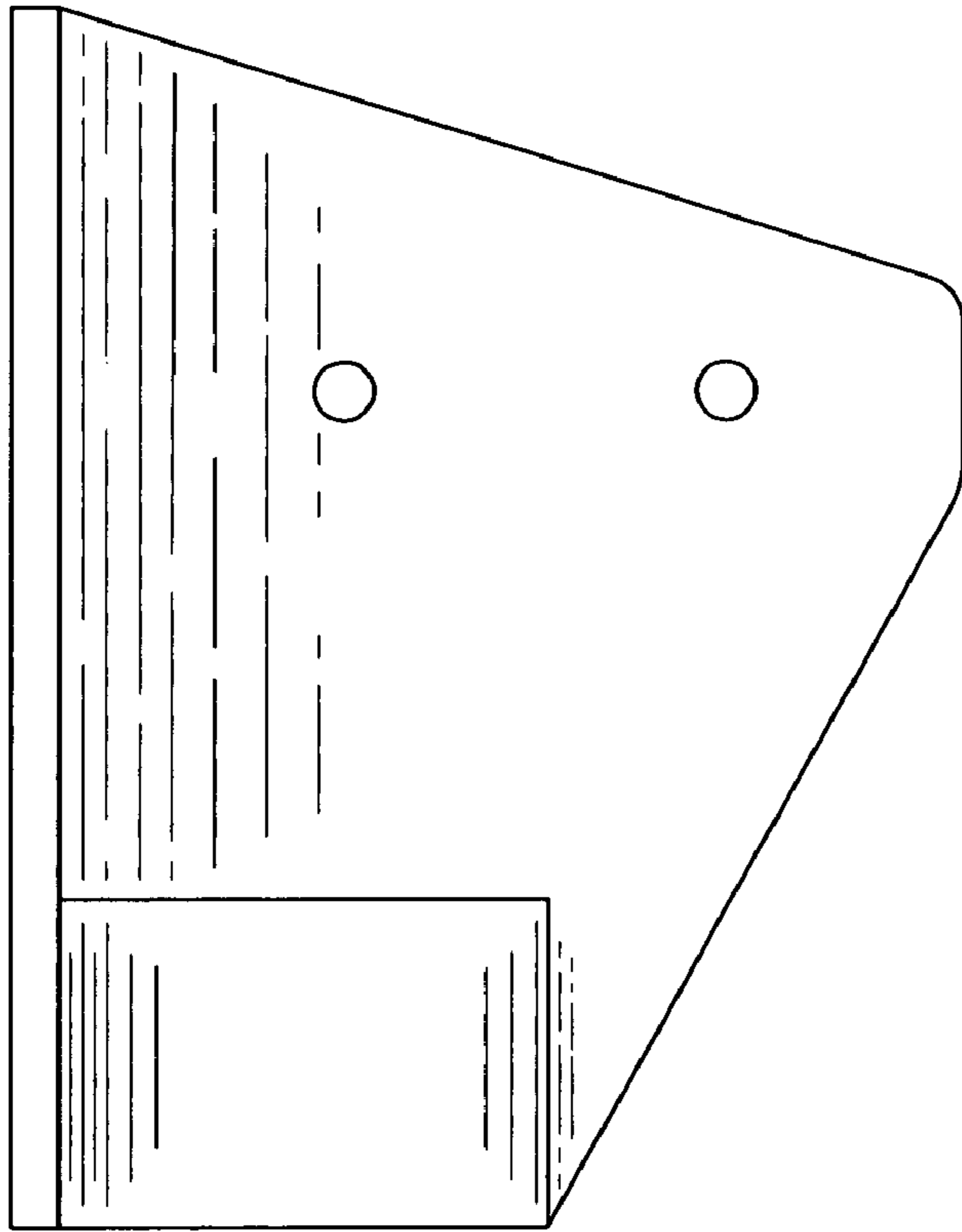


Fig. 2

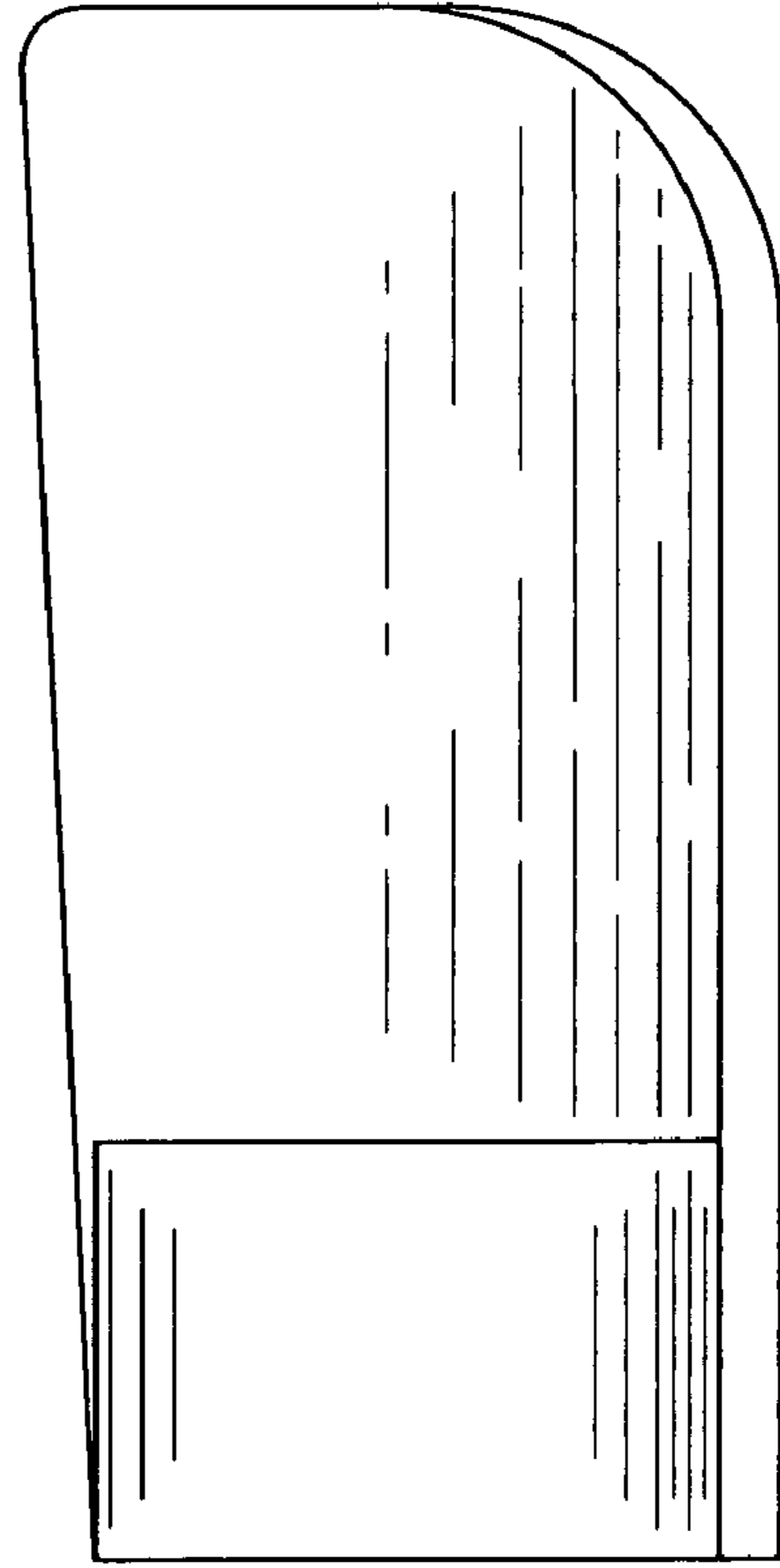


Fig. 3

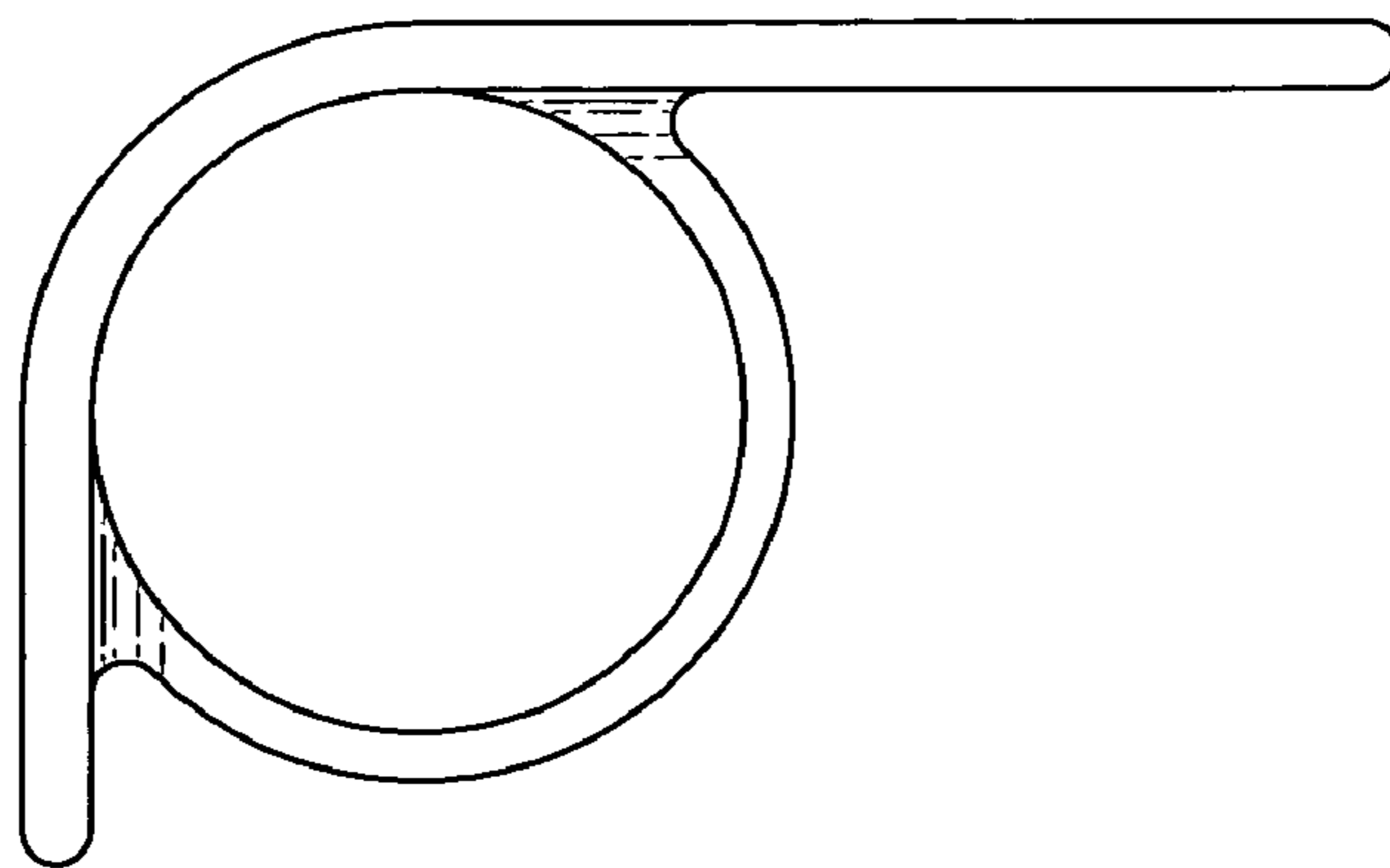


Fig. 4

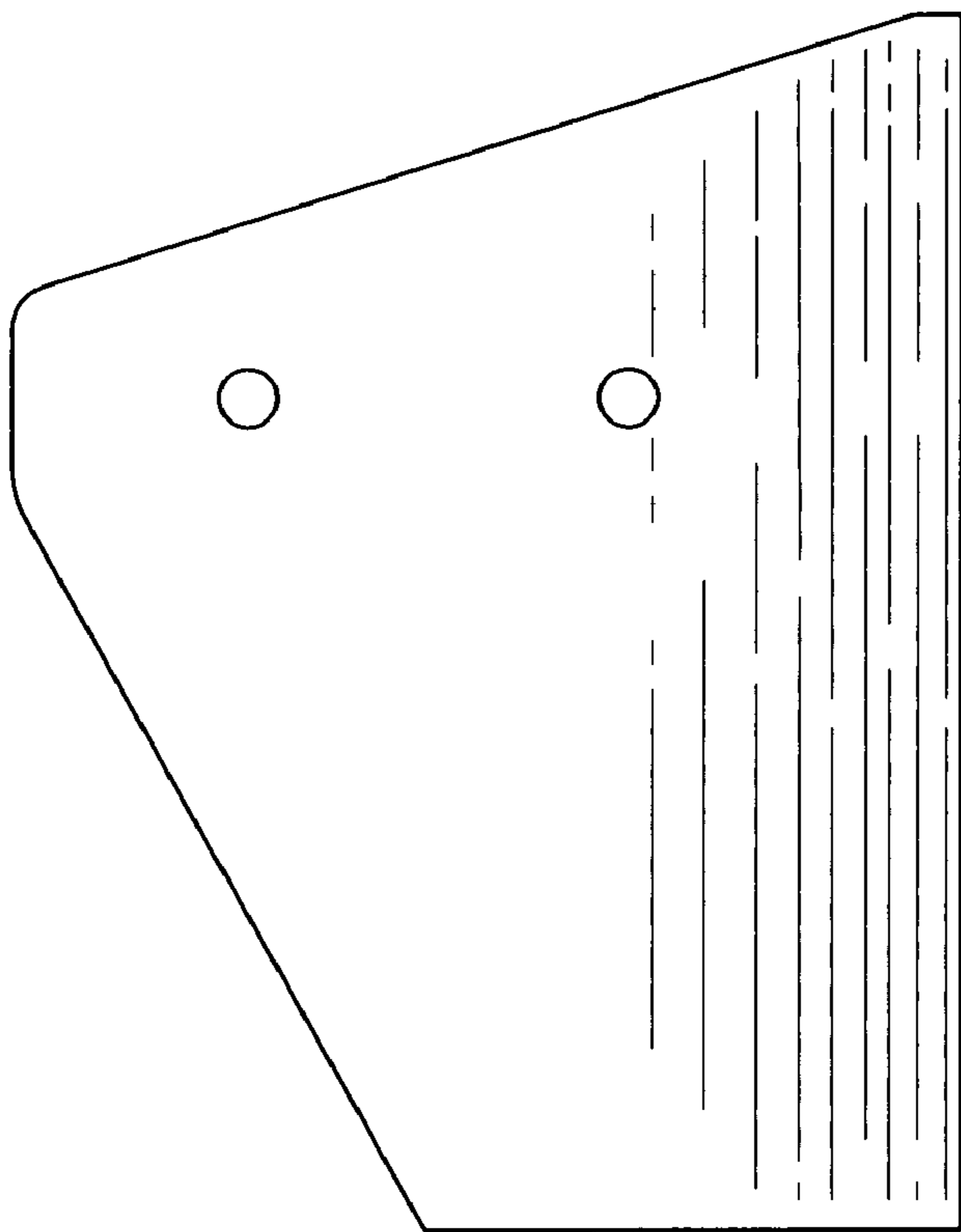


Fig. 5

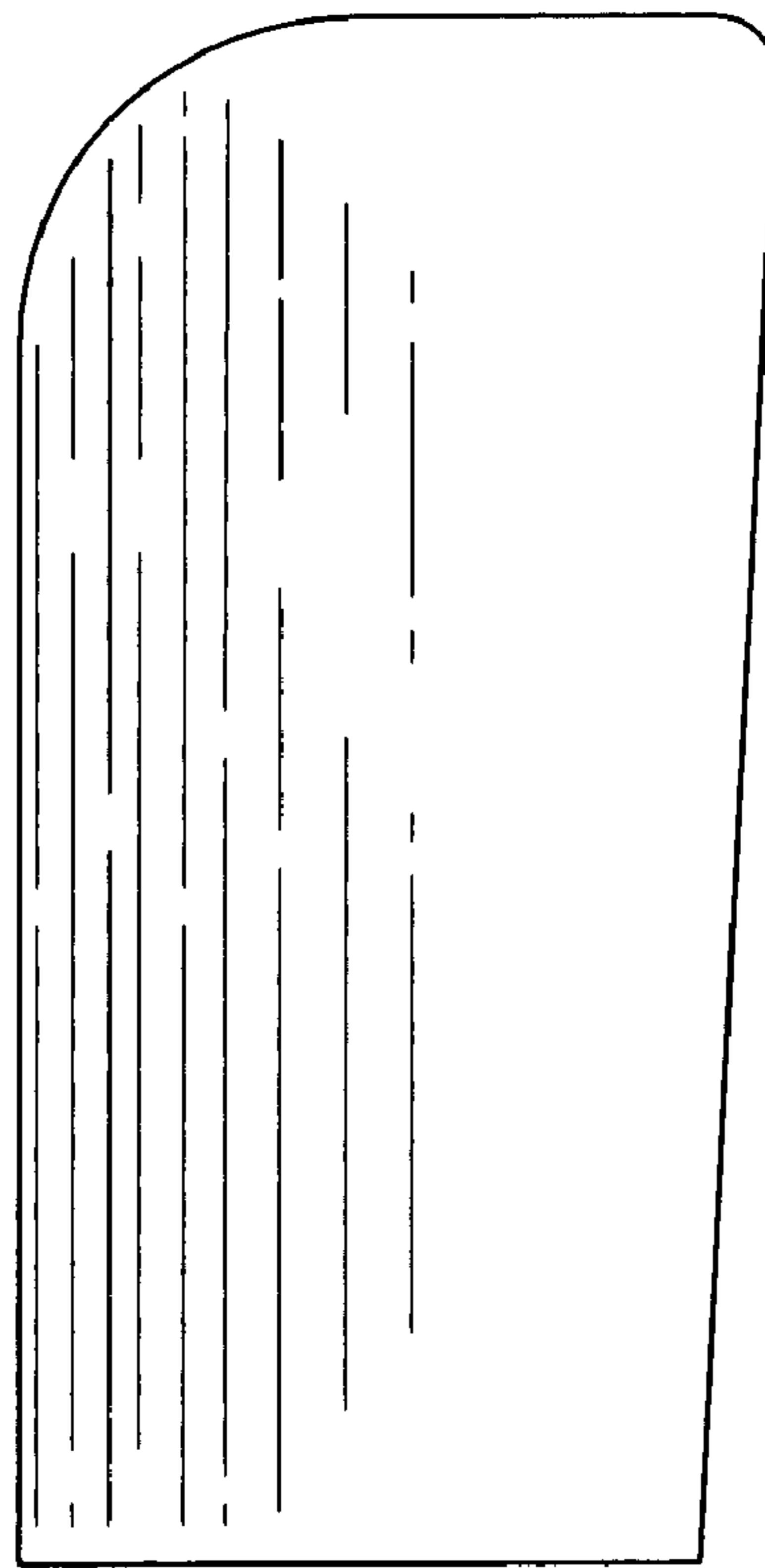


Fig. 6

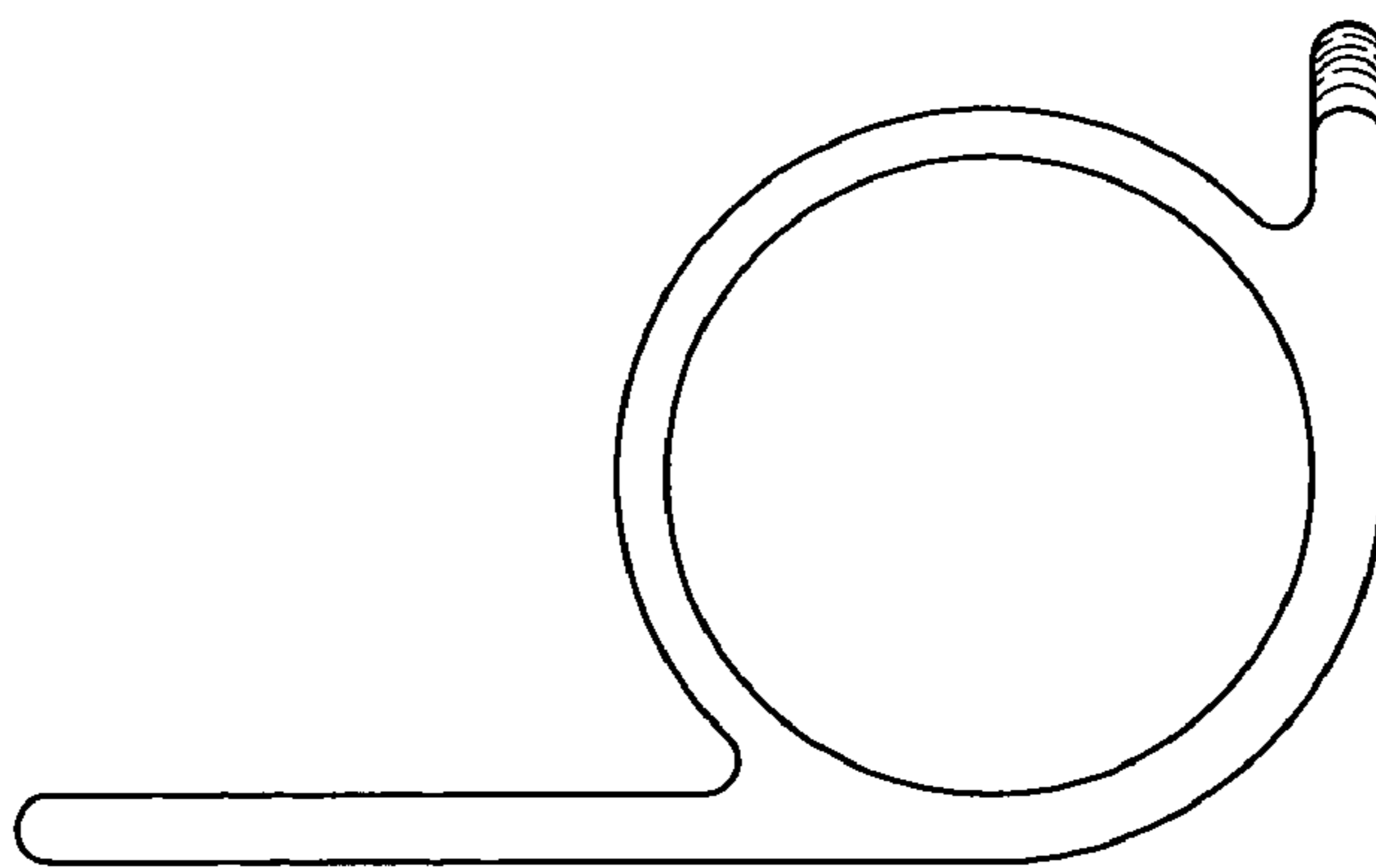


Fig. 7

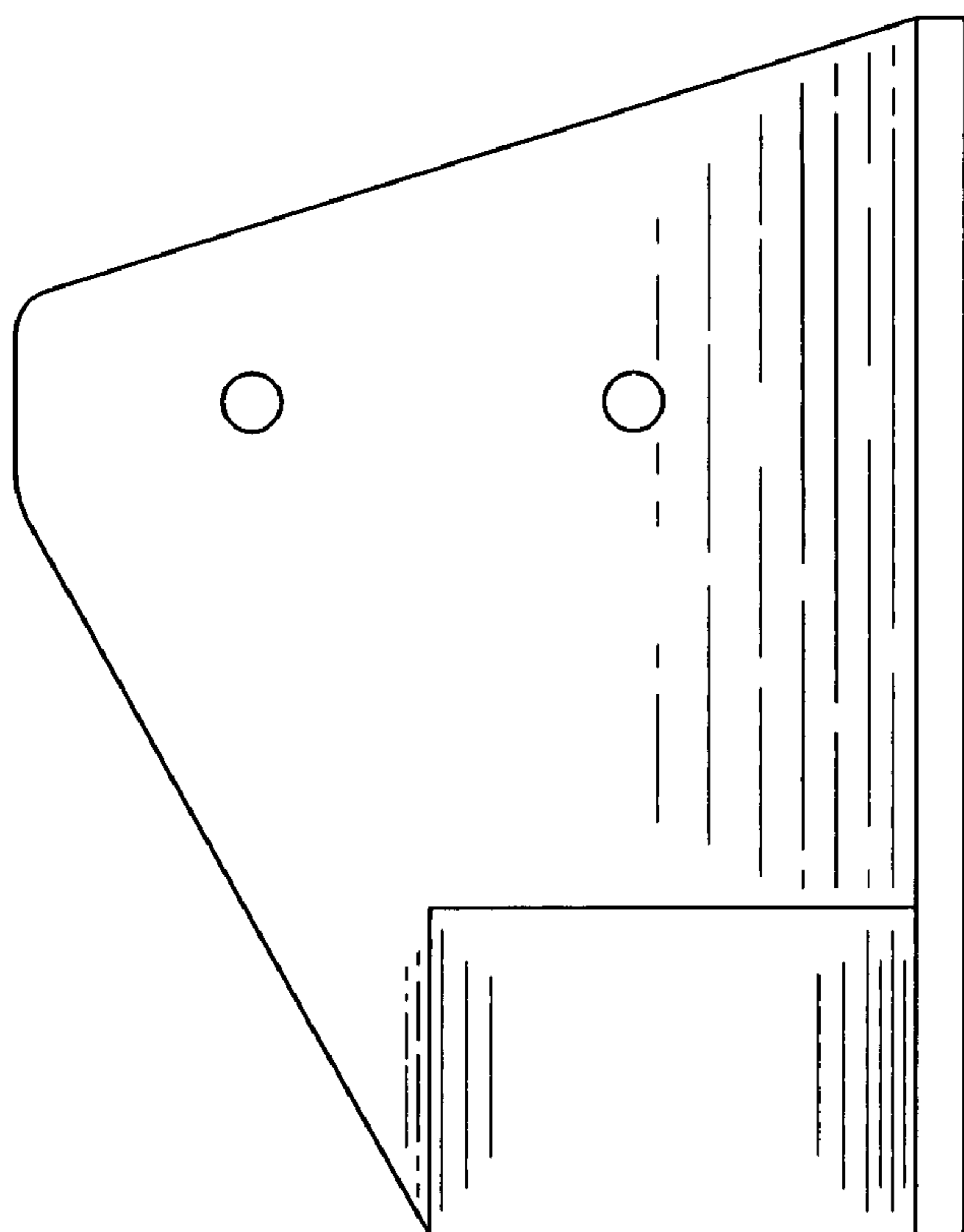


Fig. 8

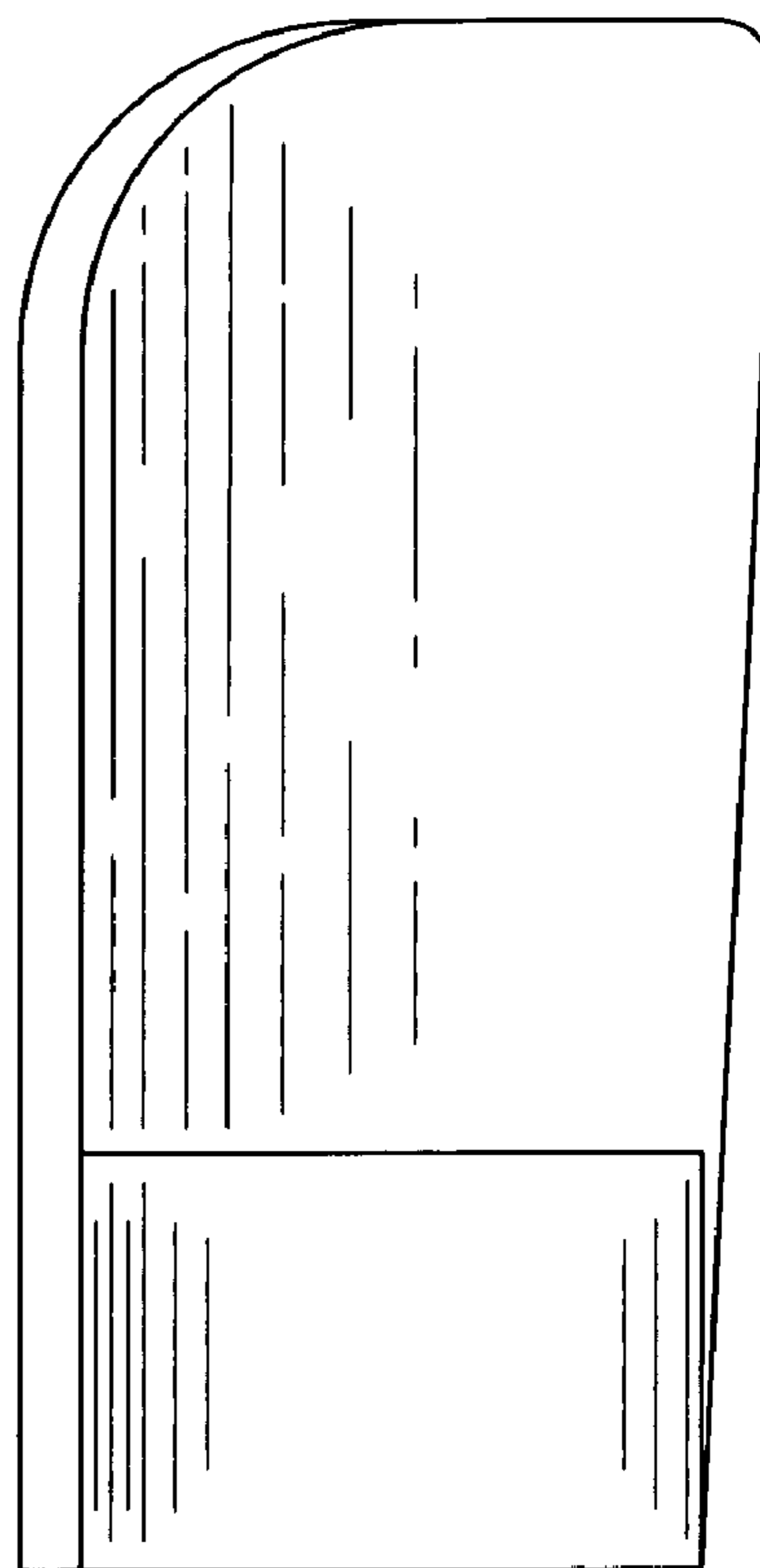


Fig. 9

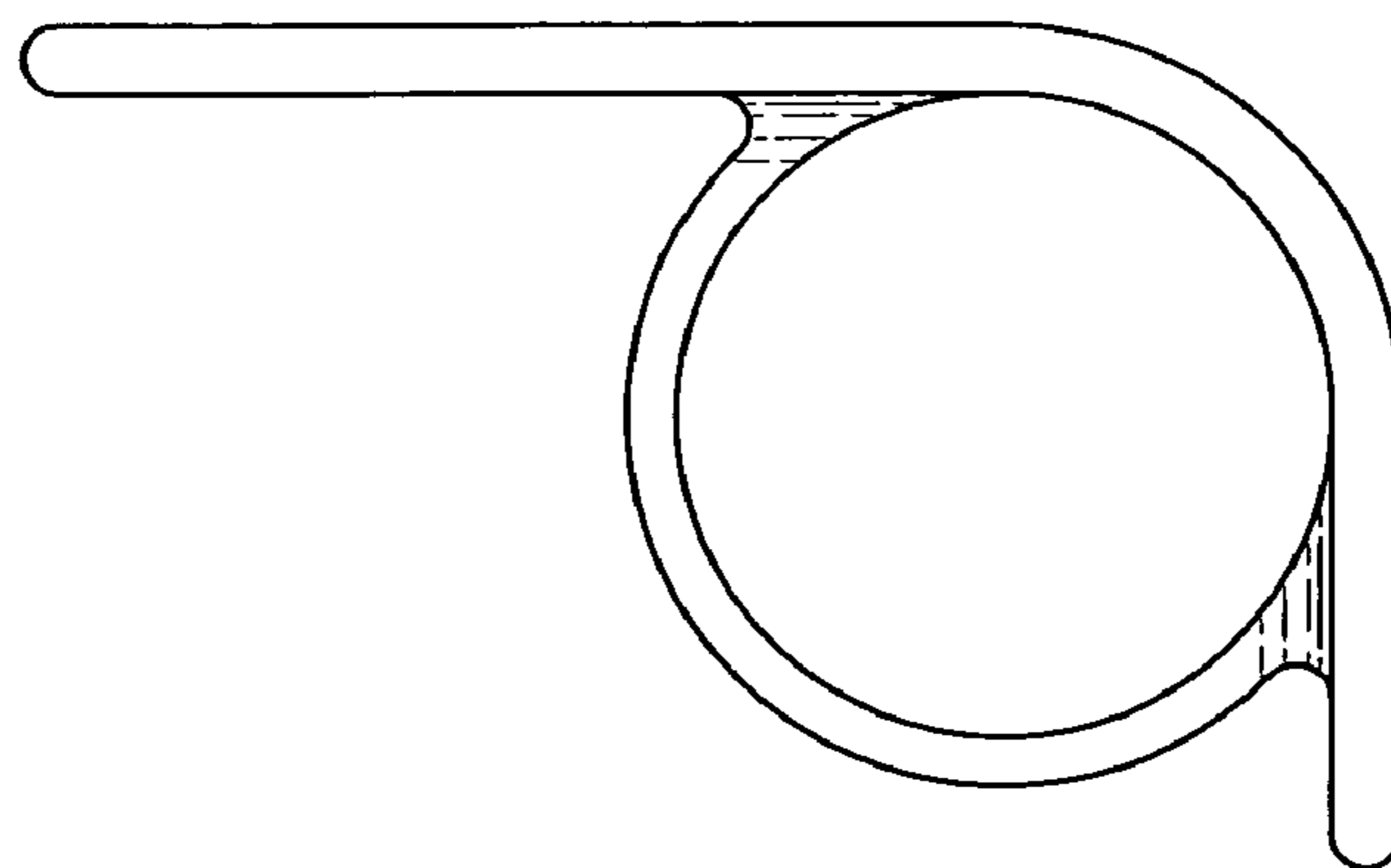


Fig. 10

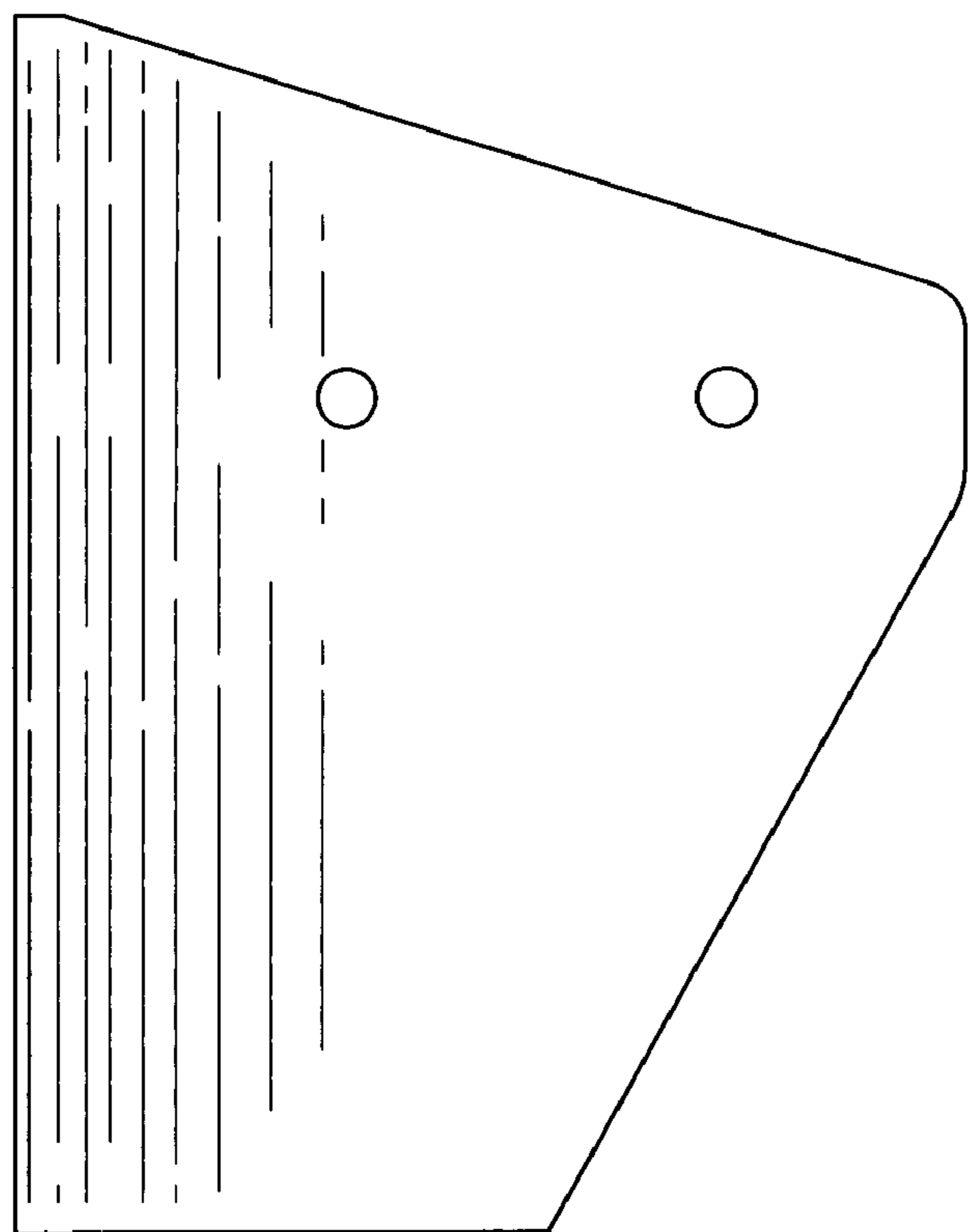


Fig. 11

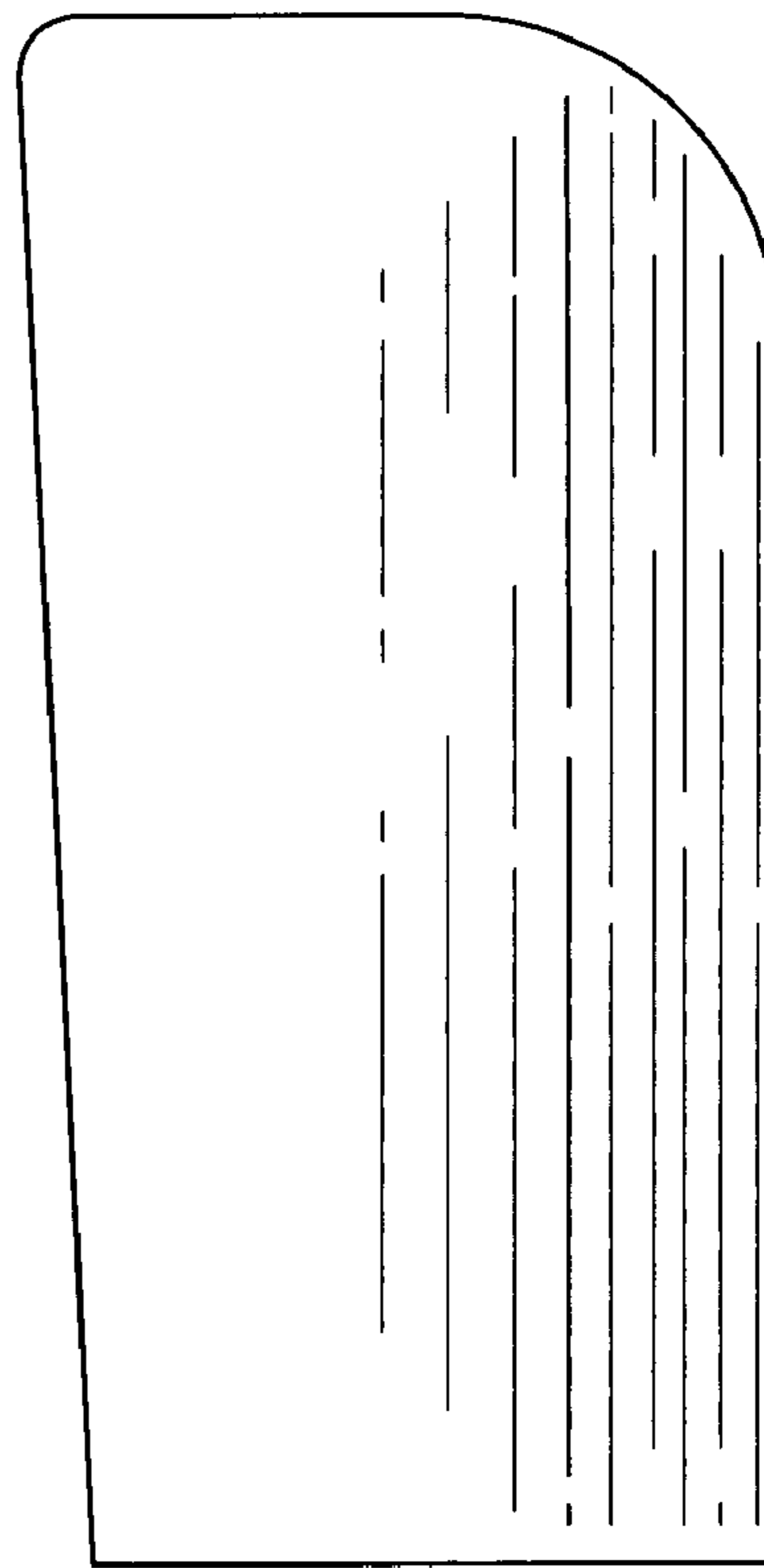


Fig. 12

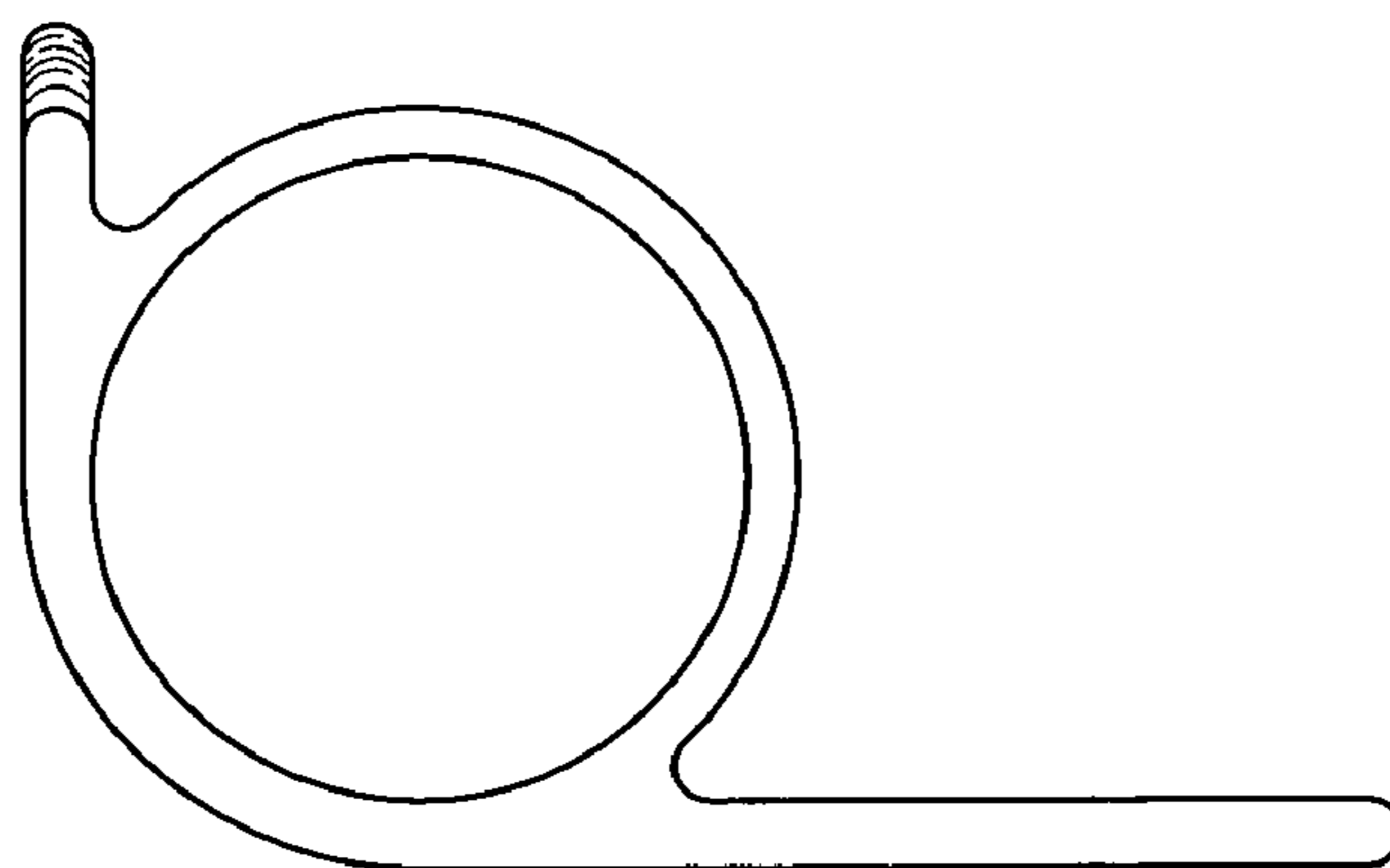


Fig. 13