



US00D641923S

(12) **United States Design Patent**
Radchenko et al.

(10) **Patent No.:** **US D641,923 S**
(45) **Date of Patent:** **** Jul. 19, 2011**

(54) **ROUND EXTRUSION FOR LIGHTING
FIXTURES**

(76) Inventors: **Valeriy Radchenko**, Bergenfield, NJ
(US); **Leszek Cyranowicz**, Bergenfield,
NJ (US)

(**) Term: **14 Years**

(21) Appl. No.: **29/349,167**

(22) Filed: **Mar. 15, 2010**

(51) **LOC (9) Cl.** **26-99**

(52) **U.S. Cl.** **D26/138**

(58) **Field of Classification Search** D26/2,
D26/88, 93, 103, 106, 69, 67, 66, 64, 63,
D26/65, 71, 75, 76, 80, 120, 121, 124, 128,
D26/118, 138, 142, 122, 113, 154, 156, 90,
D26/85, 86, 84, 81, 87; 362/183, 294, 295,
362/249.01–249.11; D13/102, 103, 179,
D13/180; D25/127, 129, 38; 361/704; 220/570,
220/695, 756; D9/430, 416, 424, 737; D32/53.1,
D32/53, 54; 244/118.5, 118.6; 297/245;
D6/356, 491, 492, 519, 580; D23/271, 286,
D23/234; D12/345; D8/349, 354, 373
See application file for complete search history.

(56) **References Cited**

U.S. PATENT DOCUMENTS

4,586,697	A *	5/1986	Tornya	256/65.11
D335,353	S *	5/1993	Baker	D25/38
D337,257	S *	7/1993	Danieli	D8/376
D353,467	S *	12/1994	Raynes	D25/38
D378,432	S *	3/1997	Raynes	D25/164
5,649,688	A *	7/1997	Baker	256/21
D384,178	S *	9/1997	Costa	D26/76
6,361,186	B1 *	3/2002	Slayden	362/241

6,585,393	B1 *	7/2003	Brandes et al.	362/235
6,609,813	B1 *	8/2003	Showers et al.	362/240
6,659,623	B2 *	12/2003	Friend	362/249.06
D486,340	S *	2/2004	Sudano	D6/577
D530,558	S *	10/2006	Damiano	D6/580
D558,569	S *	1/2008	Hanley	D8/400
D595,984	S *	7/2009	Kollman et al.	D6/580
D603,079	S *	10/2009	Toot et al.	D26/76
7,604,376	B2 *	10/2009	Sloan et al.	362/246
D617,488	S *	6/2010	Cho	D26/76
D625,463	S *	10/2010	Klus	D26/138
7,813,131	B2 *	10/2010	Liang	361/704
2004/0037081	A1 *	2/2004	Blandford	362/283
2007/0285930	A1 *	12/2007	Chen	362/373
2008/0030981	A1 *	2/2008	Mrakovich et al.	362/219
2009/0219713	A1 *	9/2009	Siemiet et al.	362/218

* cited by examiner

Primary Examiner — Cathron Brooks

Assistant Examiner — Kevin Rudzinski

(74) *Attorney, Agent, or Firm* — Sandra M. Kotin

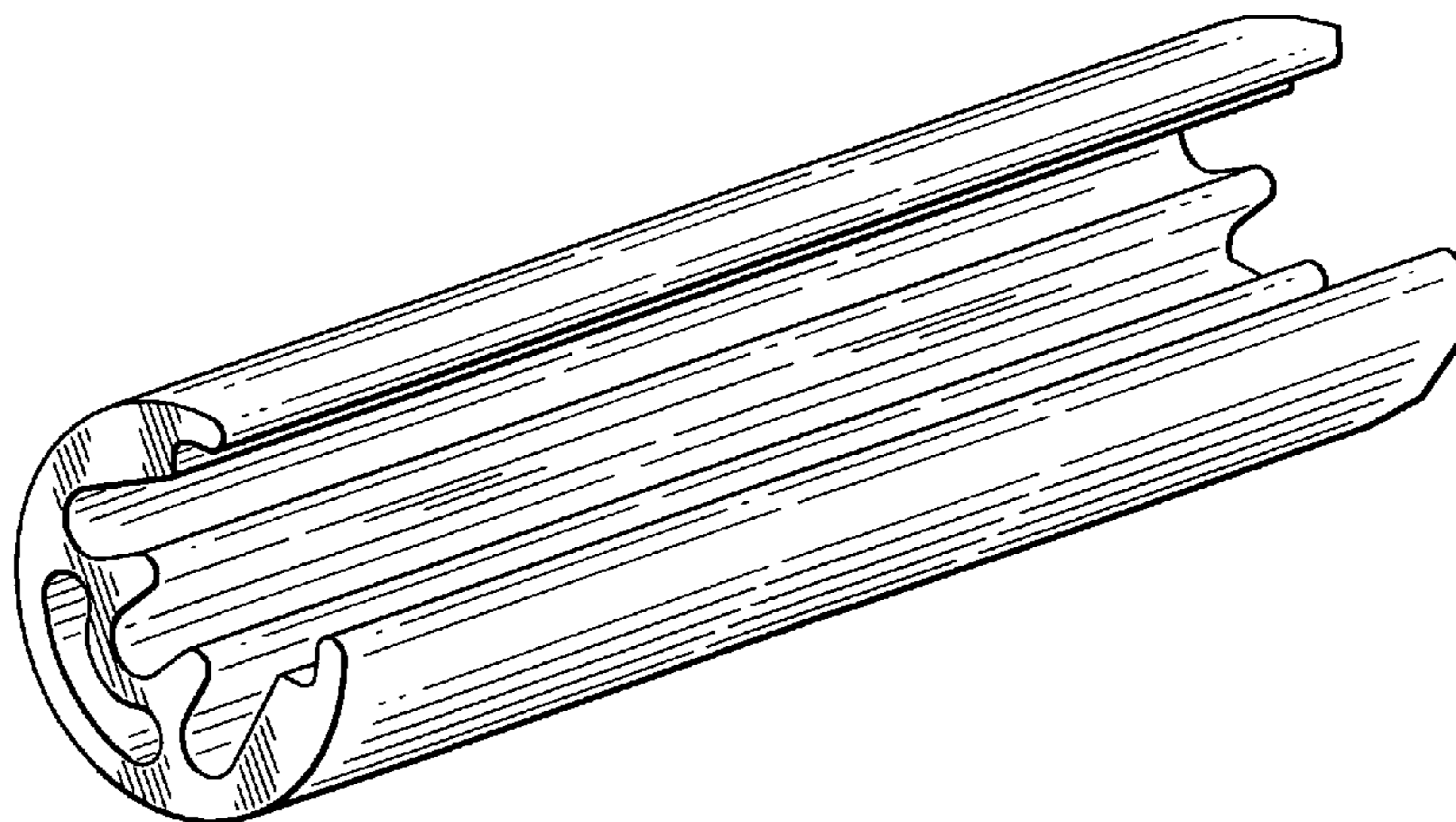
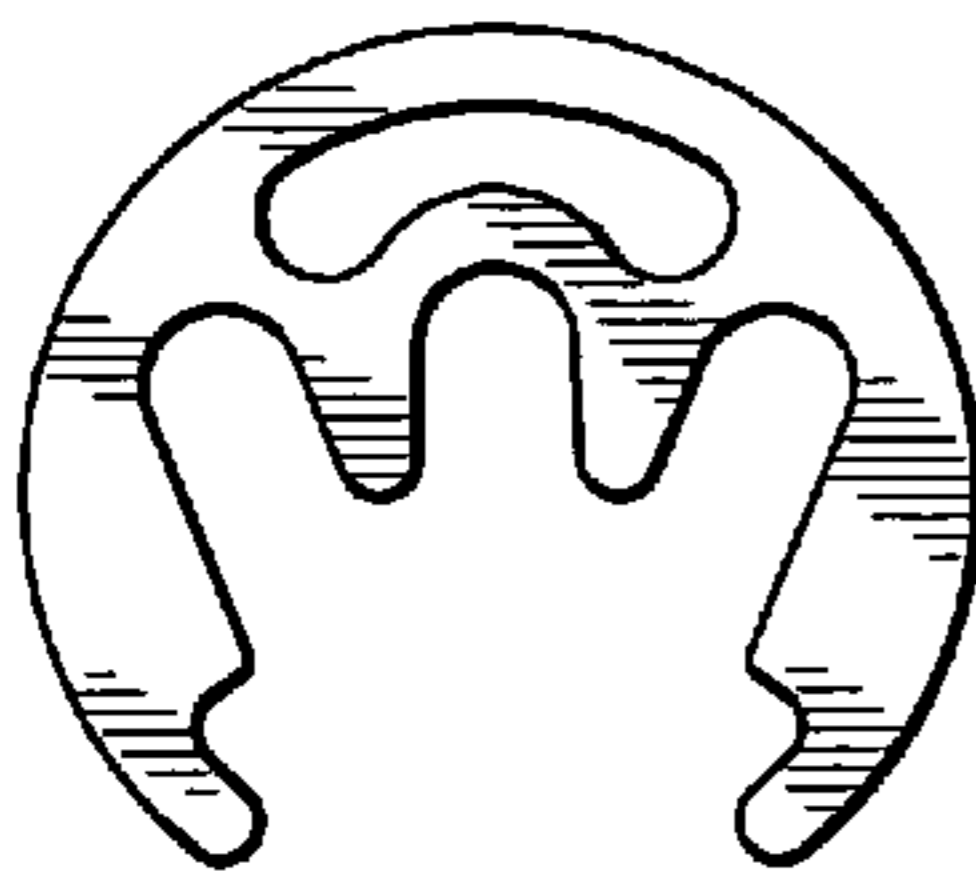
(57) **CLAIM**

The ornamental design for a round extrusion for lighting fixtures, as shown and described.

DESCRIPTION

FIG. 1 is a front elevational view of the round extrusion for lighting fixtures showing our new design; FIG. 2 is a rear elevational view thereof; FIG. 3 is a right side view thereof; FIG. 4 is a left side view thereof; FIG. 5 is a to plan view thereof; FIG. 6 is a bottom view thereof; and, FIG. 7 is a bottom perspective view thereof. The round extrusion for lighting fixtures is shown broken away on one end to indicate no specific length.

1 Claim, 2 Drawing Sheets



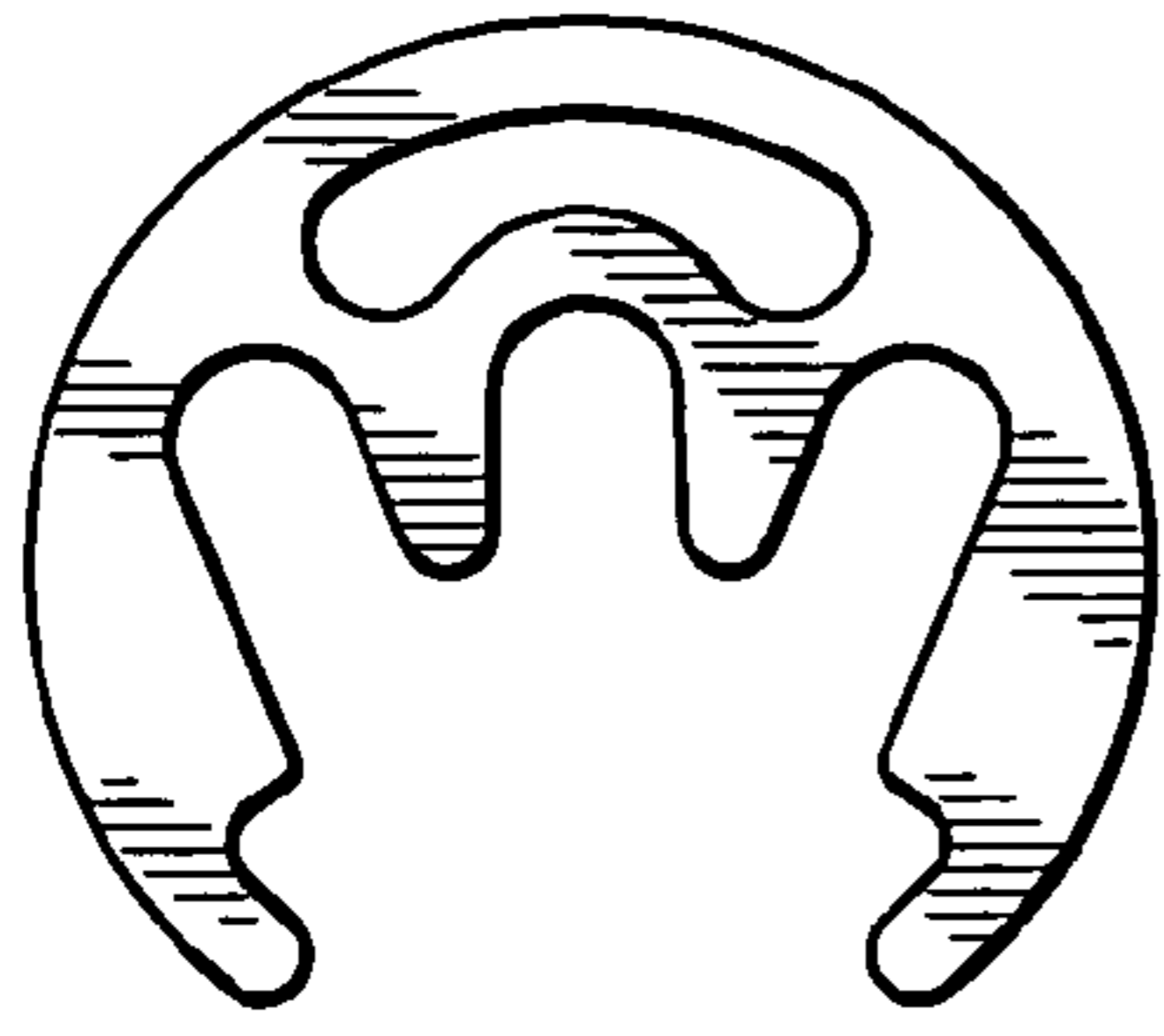


FIG. 1

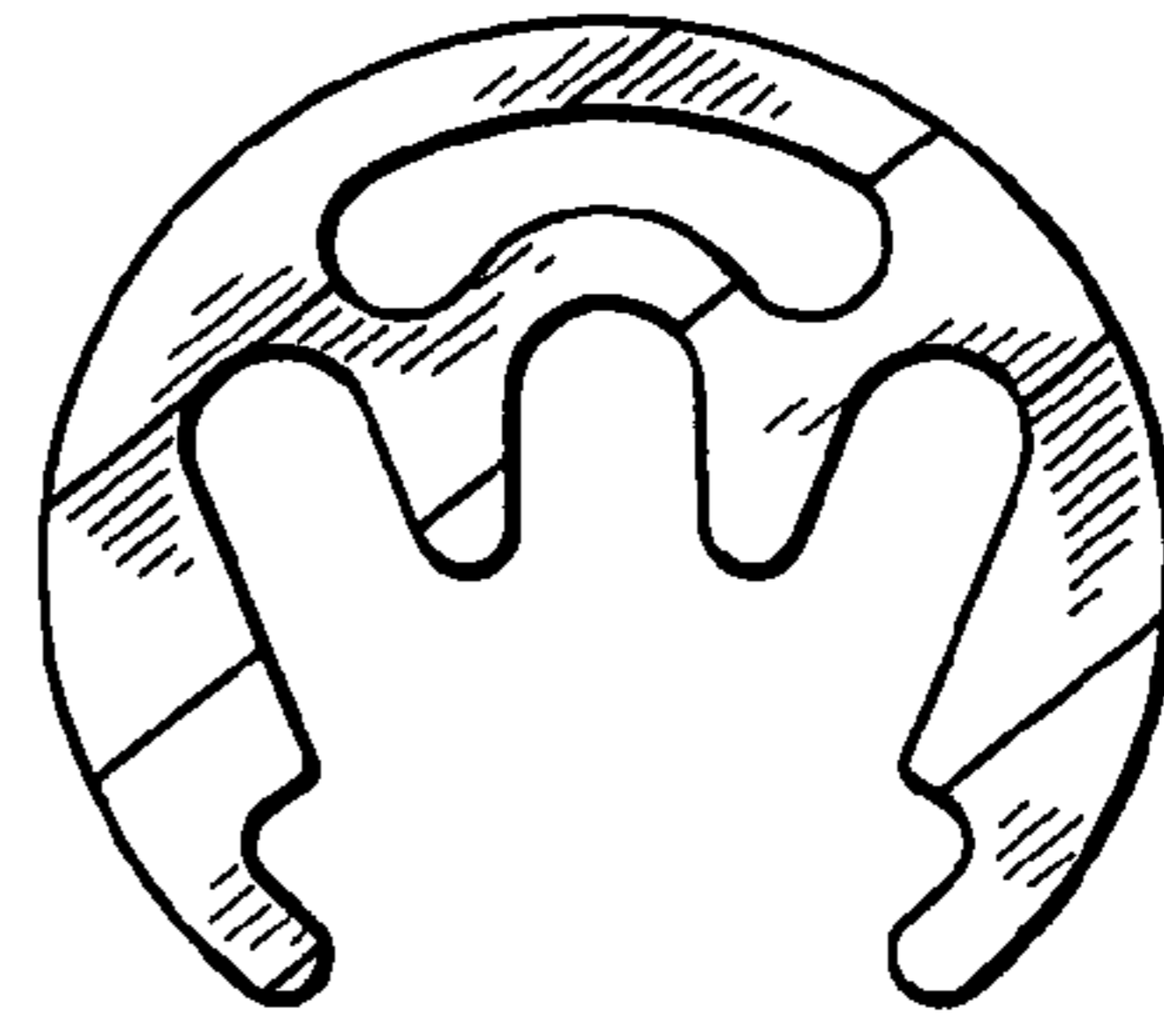


FIG. 2

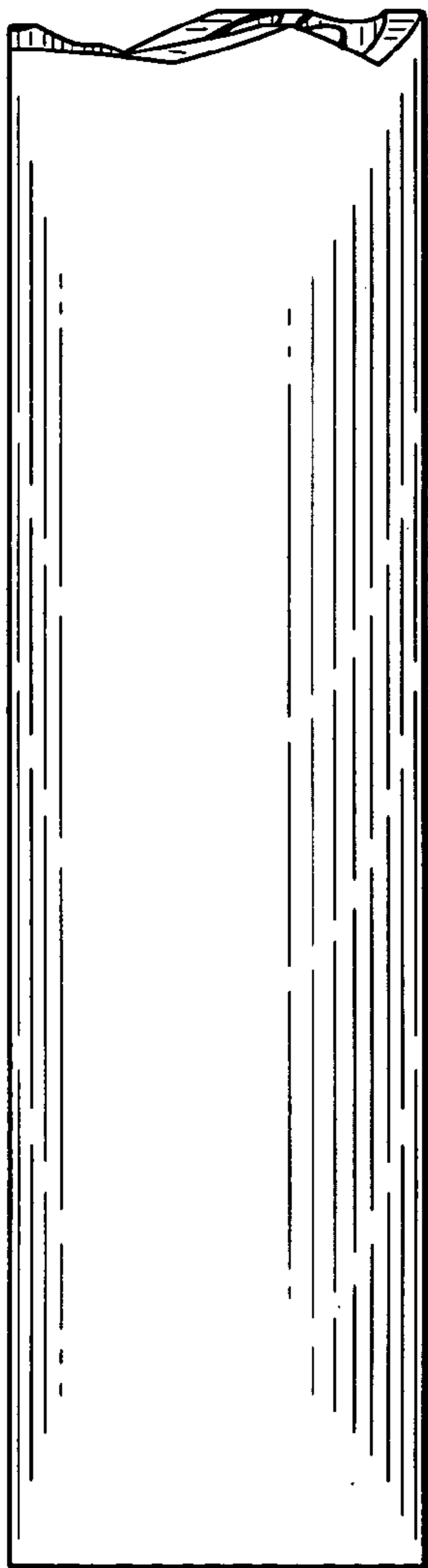


FIG. 3

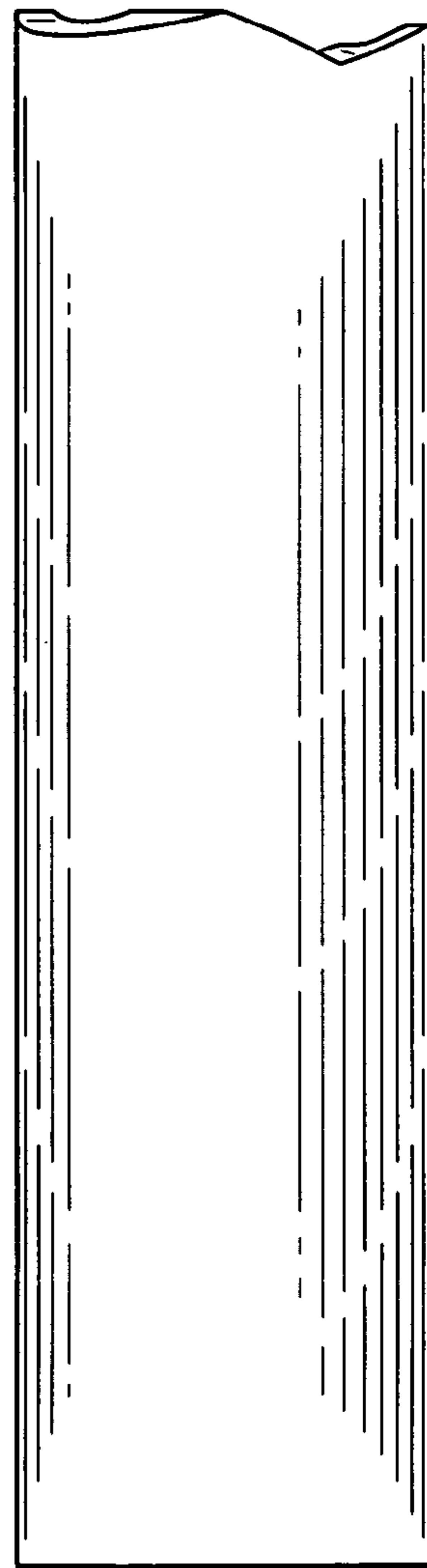


FIG. 4

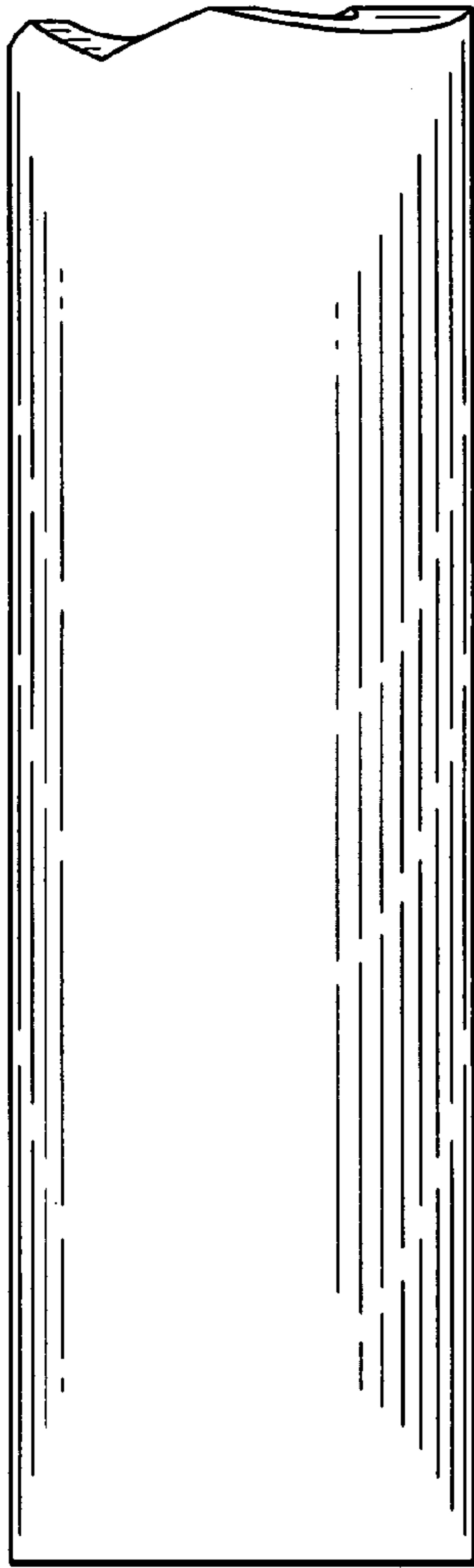


FIG. 5

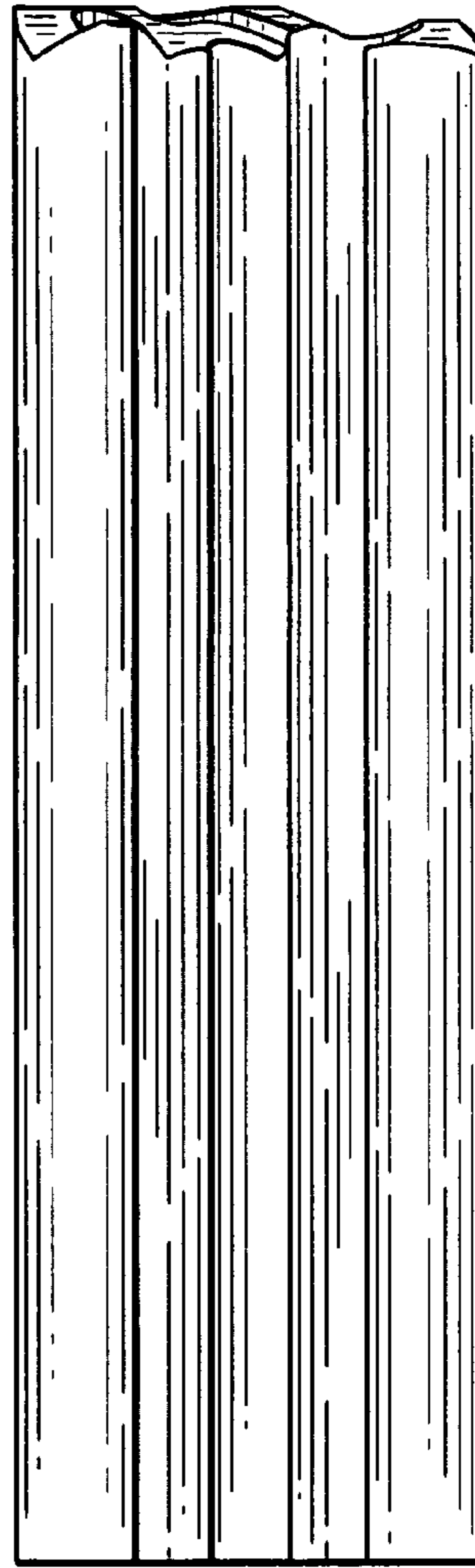


FIG. 6

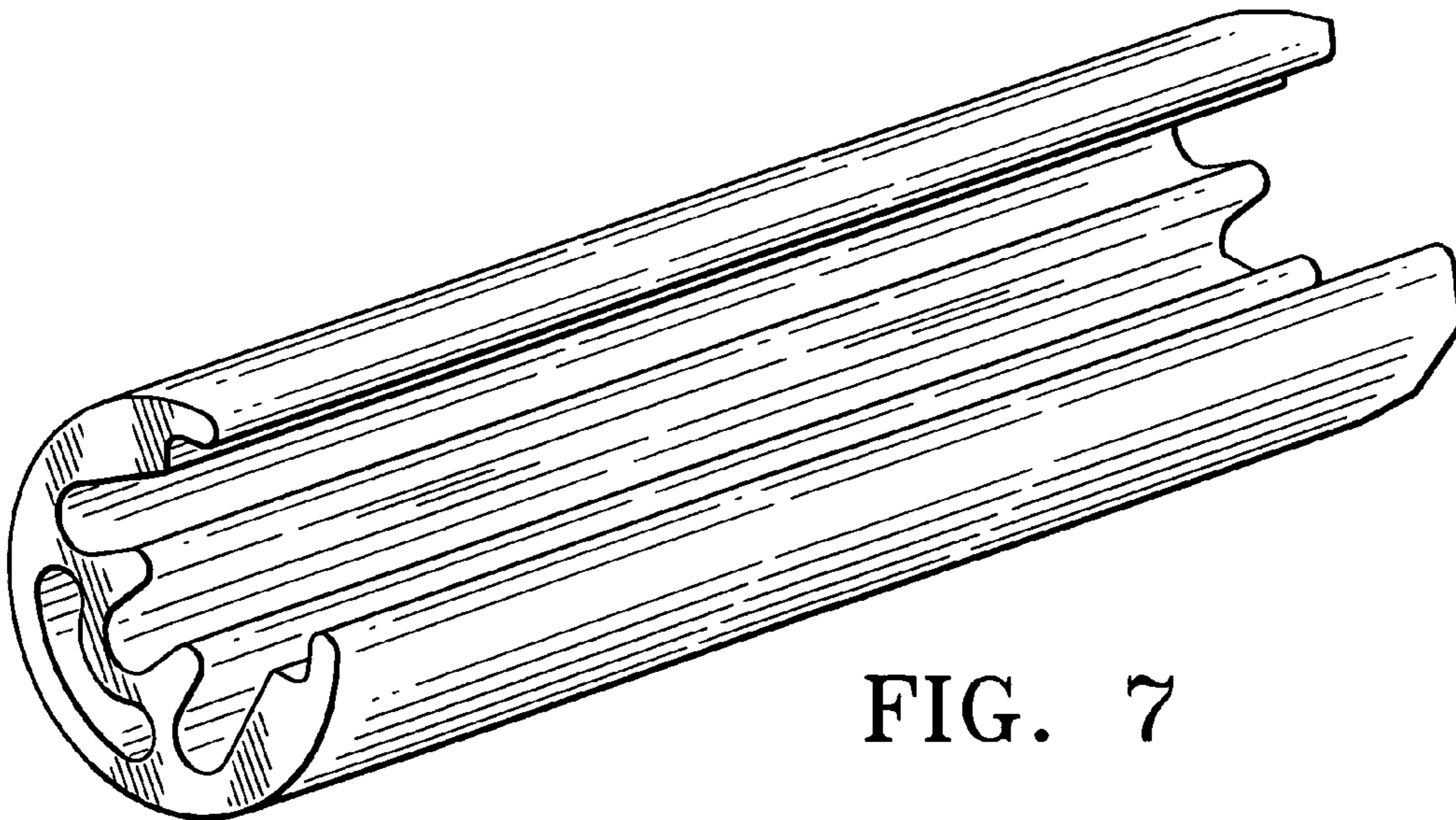


FIG. 7