



US00D641918S

(12) **United States Design Patent**
Reo et al.

(10) **Patent No.:** **US D641,918 S**
(45) **Date of Patent:** **** Jul. 19, 2011**

(54) **LIGHTING FIXTURE**
(75) Inventors: **Ann Marie Reo**, Wilmette, IL (US);
Chantal Louise Pittman, Manchaca, TX (US)
(73) Assignee: **Cooper Technologies Company**,
Houston, TX (US)
(**) Term: **14 Years**
(21) Appl. No.: **29/359,881**
(22) Filed: **Apr. 16, 2010**
(51) **LOC (9) Cl.** **26-99**
(52) **U.S. Cl.** **D26/118**
(58) **Field of Classification Search** D26/136,
D26/63, 28, 60, 61, 142, 138, 141, 120, 118,
D26/88, 40, 37, 41, 42, 81, 84, 85, 113, 2,
D26/3, 123; 362/105, 475, 473, 219, 240,
362/244, 246, 294, 249.01-249.11, 179;
D13/147, 179, 180, 108, 134; 315/58; D34/27;
D9/425, 431, 756; D8/354; 40/553, 617,
40/492; D20/10, 42; D25/124; 439/22
See application file for complete search history.

D399,020 S * 9/1998 Lo D26/90
5,967,652 A 10/1999 Ramer et al.
6,064,061 A 5/2000 Ramer et al.
D428,516 S * 7/2000 Reo et al. D26/118
6,088,091 A 7/2000 Ramer et al.
6,234,648 B1 5/2001 Borner et al.
6,238,077 B1 5/2001 Ramer et al.
6,286,979 B1 9/2001 Ramer et al.
6,334,700 B2 1/2002 Ramer et al.
D460,575 S * 7/2002 Tergny et al. D26/89
6,871,993 B2 3/2005 Hecht
6,979,097 B2 12/2005 Elam et al.
6,995,355 B2 2/2006 Rains et al.
7,111,971 B2 9/2006 Coushaine et al.
7,150,553 B2 12/2006 English et al.
7,204,615 B2 4/2007 Arik et al.
7,234,840 B2 6/2007 Agabekov et al.
D551,382 S * 9/2007 Curtin D26/89
D556,075 S * 11/2007 Teiber et al. D10/118
7,347,589 B2 3/2008 Ge

(Continued)

Primary Examiner — Cathron C. Brooks
Assistant Examiner — Kevin Rudzinski
(74) *Attorney, Agent, or Firm* — King & Spalding LLP

(57) **CLAIM**
The ornamental design for a lighting fixture, as shown and described.

(56) **References Cited**

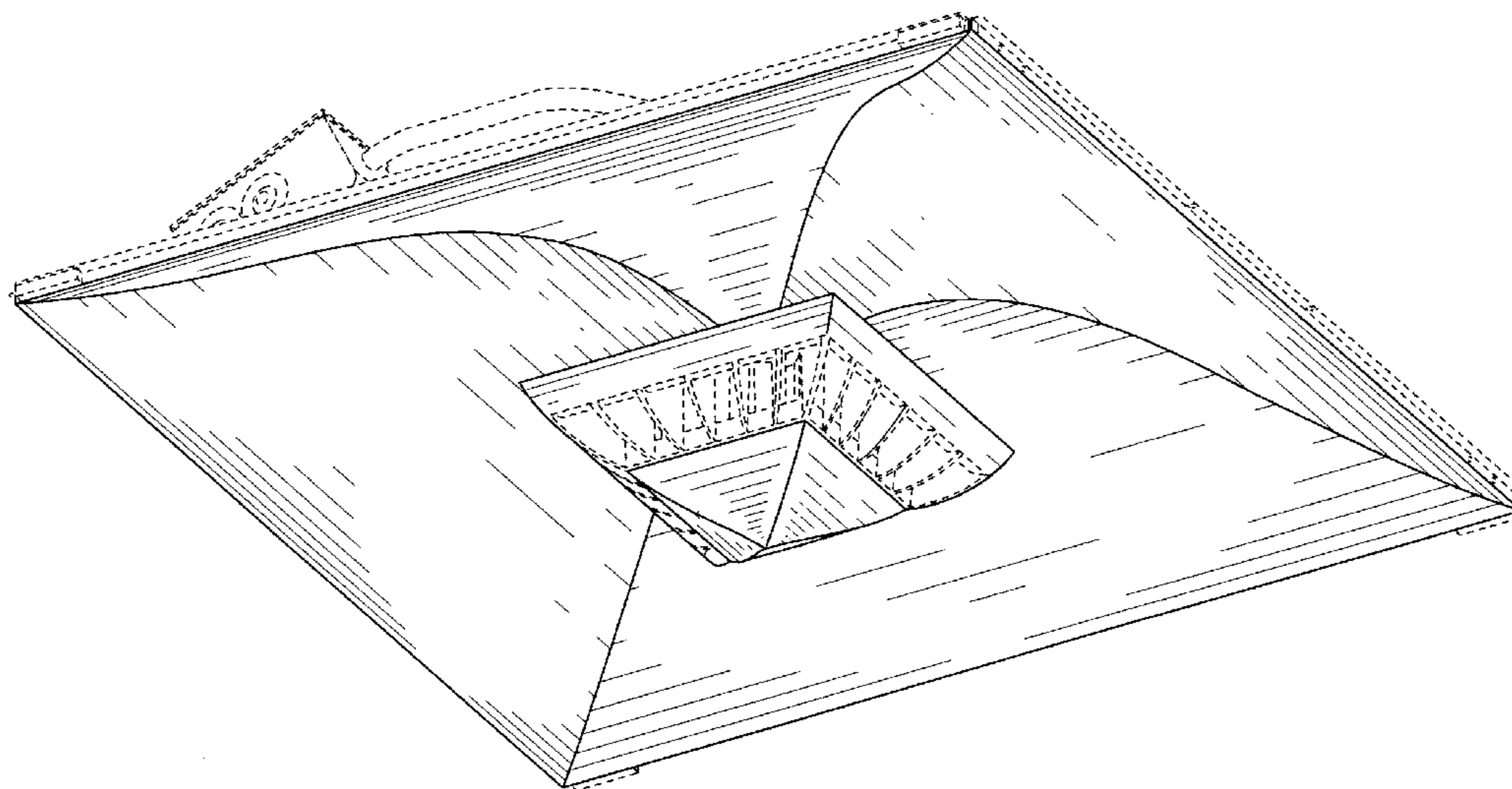
U.S. PATENT DOCUMENTS

D41,377 S * 5/1911 Macbeth D26/88
D45,461 S * 3/1914 Humphrey D26/88
D78,750 S * 6/1929 Gunnison D26/86
D101,317 S * 9/1936 Winkler D26/88
D103,428 S * 3/1937 Guth D26/88
D105,628 S * 8/1937 Wiesler D26/88
D119,203 S * 2/1940 Krueger D26/88
D155,680 S * 10/1949 Baker D26/86
2,626,120 A * 1/1953 Baker 248/343
D242,063 S * 10/1976 Manly et al. D26/151
3,995,798 A * 12/1976 Nikolaus et al. 248/214
D303,435 S * 9/1989 Mason D26/86
D365,159 S * 12/1995 Tinen D25/138
5,561,346 A 10/1996 Byrne
5,733,028 A 3/1998 Ramer et al.

DESCRIPTION

FIG. 1 is a perspective view of a lighting fixture, showing our new design;
FIG. 2 is a bottom plan view thereof;
FIG. 3 is a top plan view thereof;
FIG. 4 is a front elevation view thereof;
FIG. 5 is a back elevation view thereof;
FIG. 6 is a right side elevation view thereof; and,
FIG. 7 is a left side elevation view thereof.
In the drawings, the evenly spaced broken lines depict unclaimed environment and form no part of the claimed design.

1 Claim, 5 Drawing Sheets



US D641,918 S

Page 2

U.S. PATENT DOCUMENTS

D577,454	S *	9/2008	Maxik et al.	D26/63	2008/0025047	A1	1/2008	Speier et al.
7,461,951	B2	12/2008	Chou et al.		2008/0151541	A1	6/2008	Heffington et al.
D592,348	S *	5/2009	Trott et al.	D26/74	2008/0278943	A1	11/2008	Der Poel et al.
D601,741	S *	10/2009	Trott et al.	D26/74	2008/0278950	A1	11/2008	Pickard et al.
D614,338	S *	4/2010	Sieczkowski et al.	D26/74	2008/0285271	A1	11/2008	Roberge et al.
2005/0279949	A1	12/2005	Oldham et al.		2008/0298069	A1	12/2008	Chu
2007/0139938	A1	6/2007	Petroski et al.		2008/0316482	A1	12/2008	Hoshizaki et al.
2007/0147046	A1	6/2007	Arik et al.		2009/0001372	A1	1/2009	Arik et al.
2007/0247853	A1	10/2007	Dorogi		2009/0009996	A1	1/2009	Scordino et al.

* cited by examiner

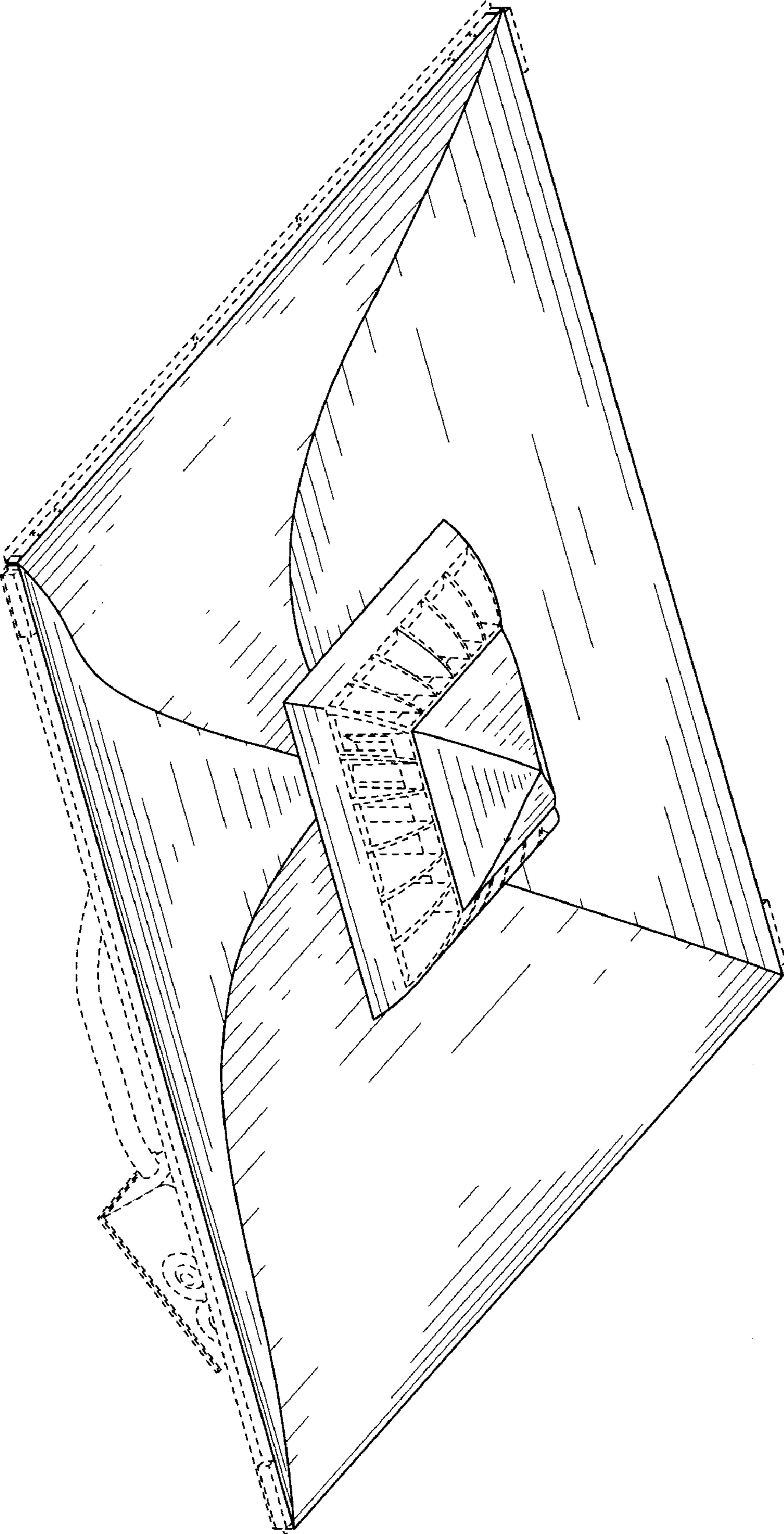


FIG. 1

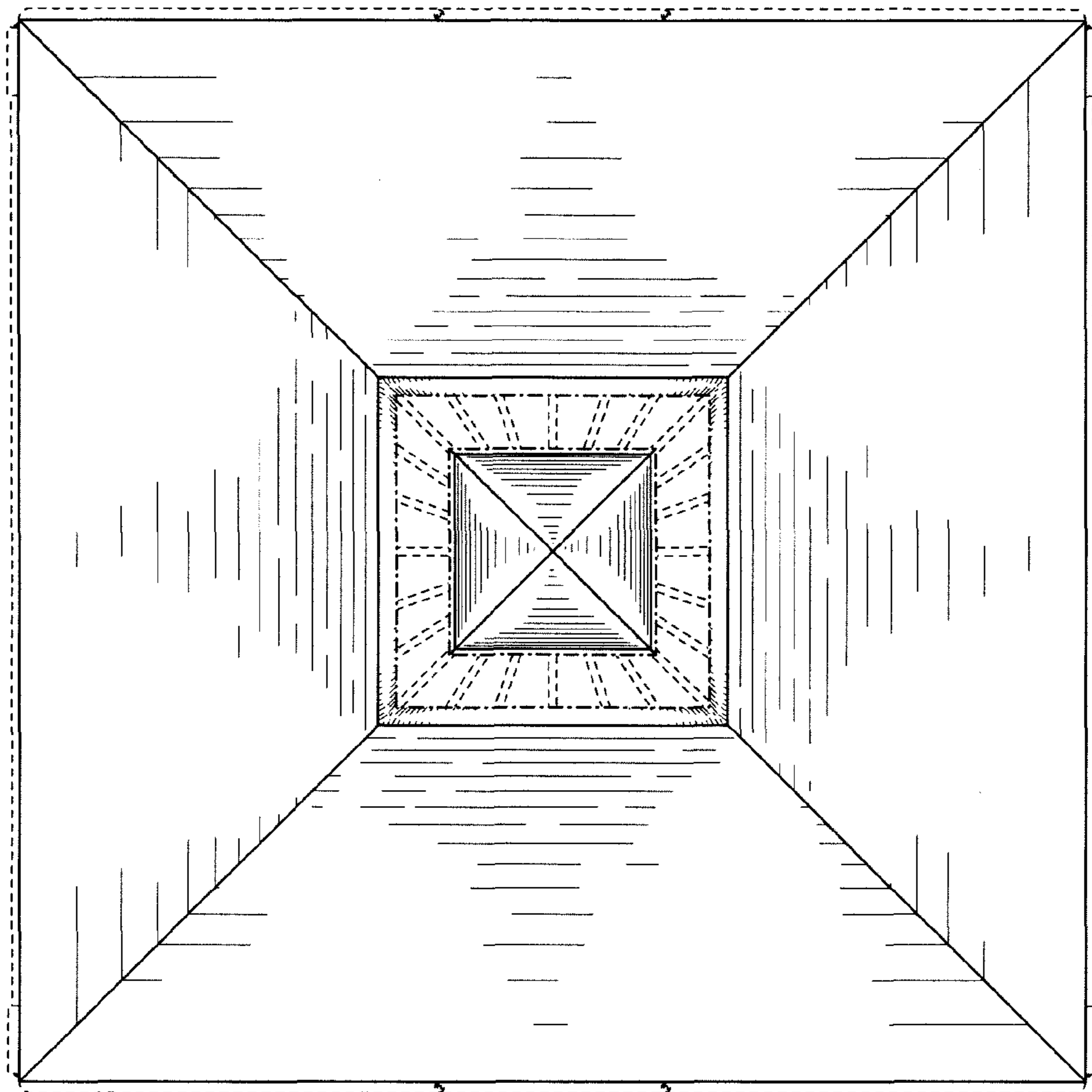


FIG. 2

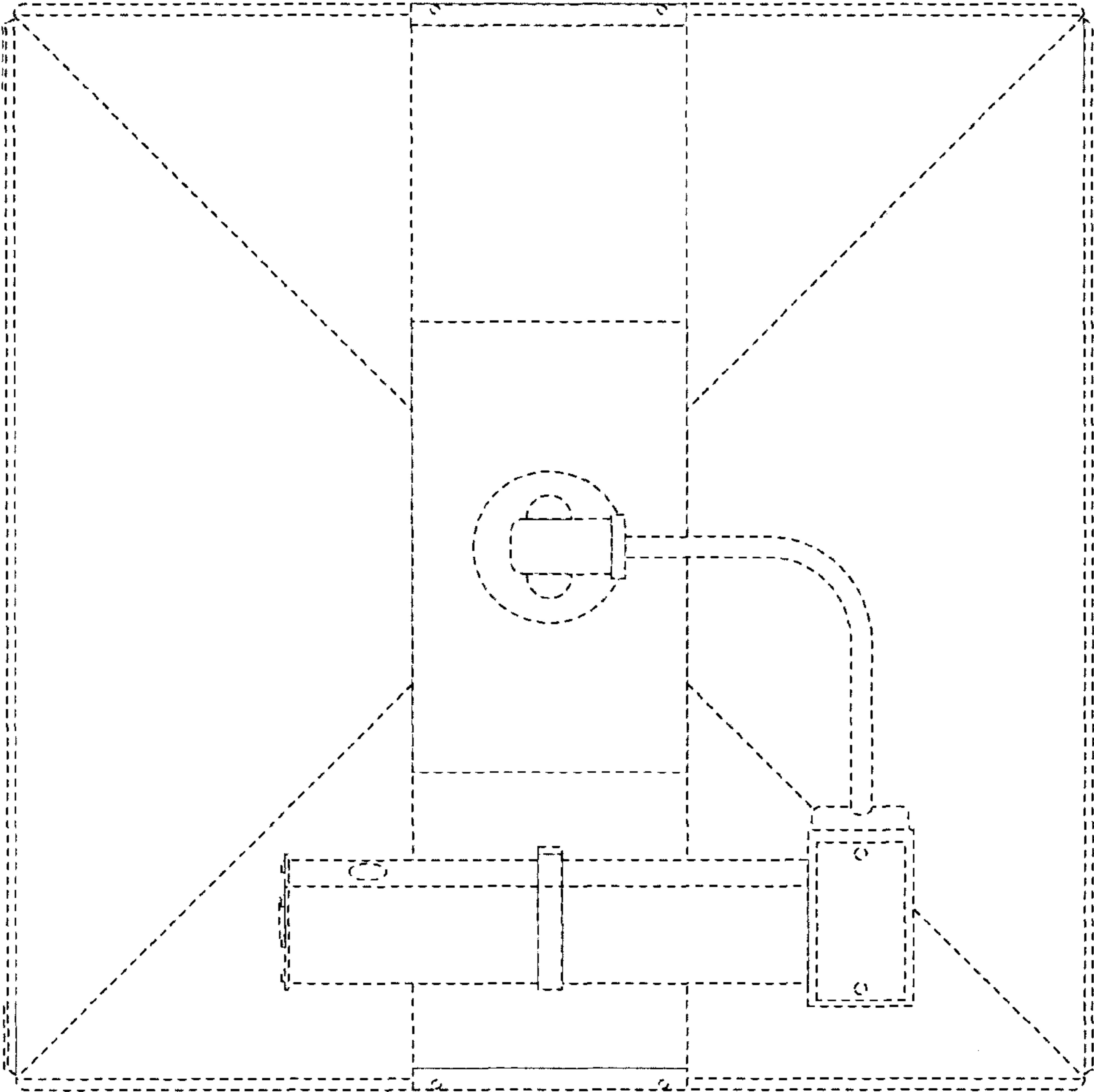


FIG. 3

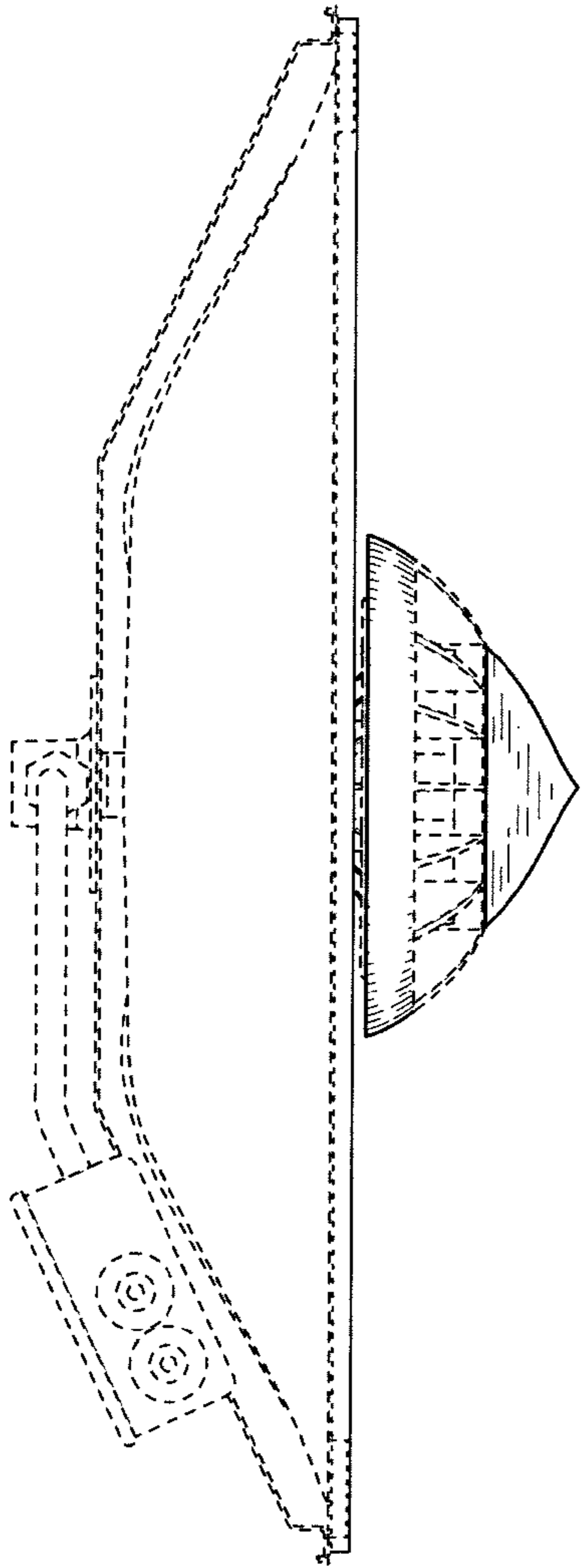


FIG. 4

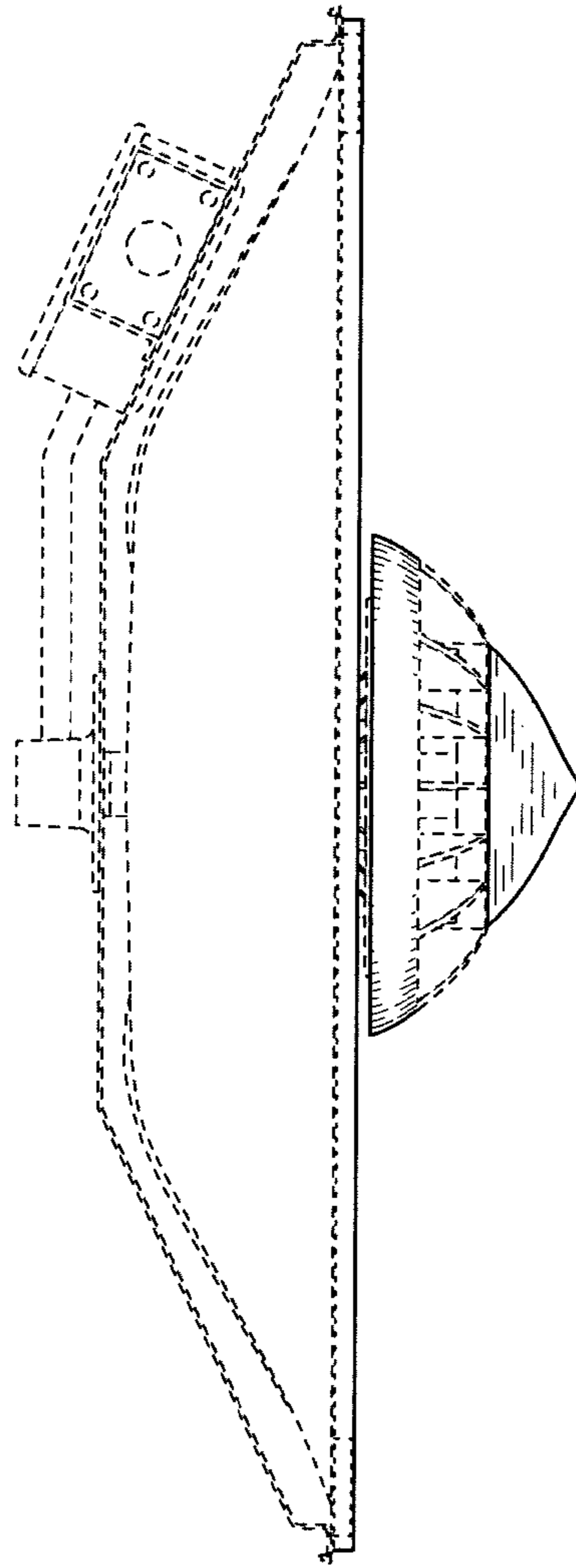


FIG. 5

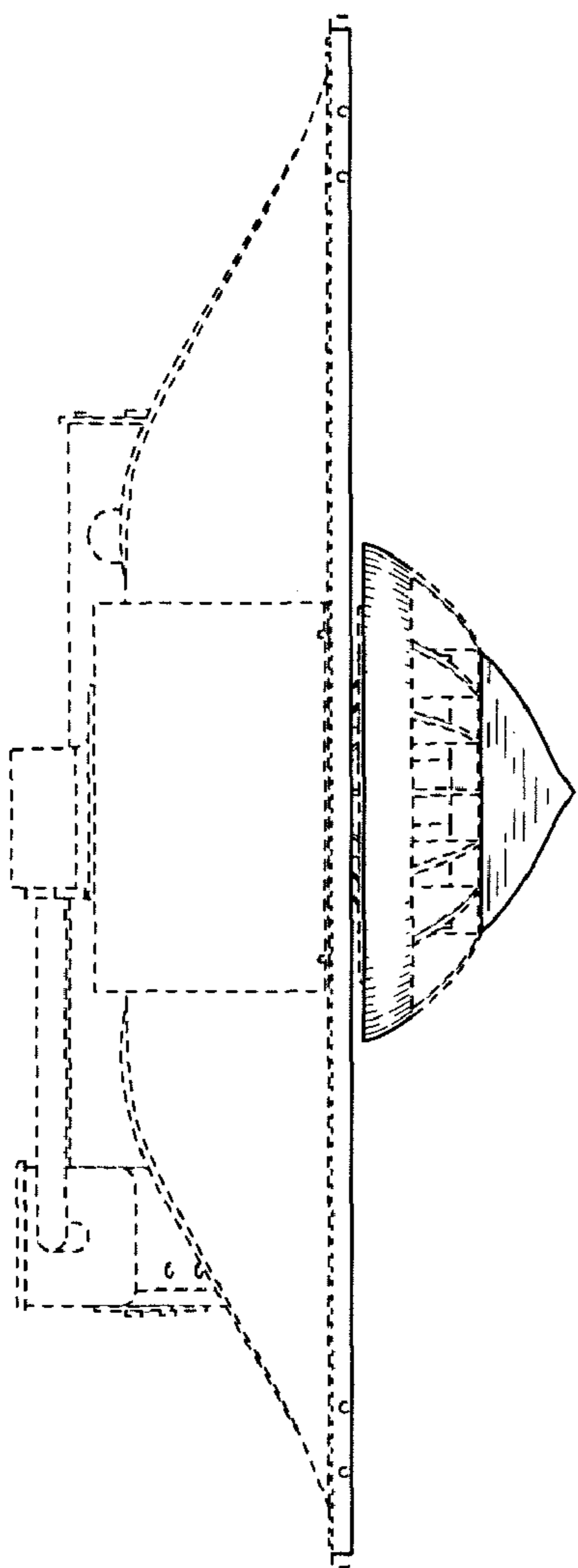


FIG. 6

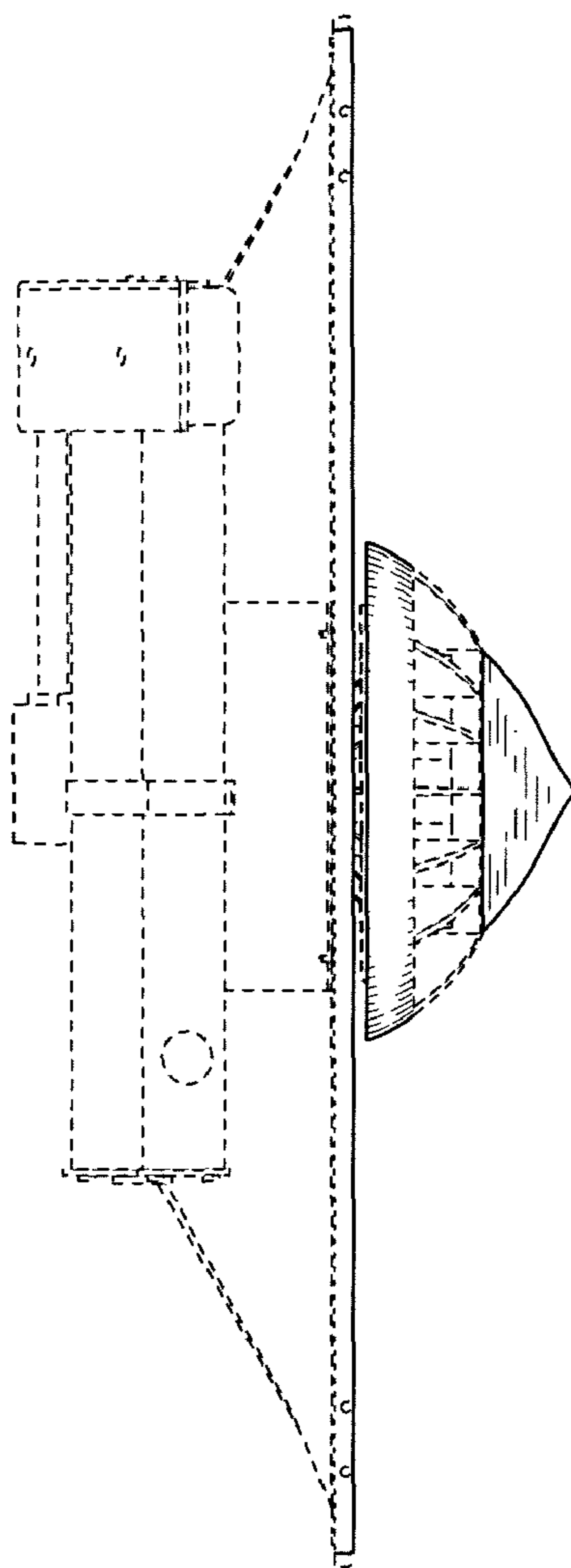


FIG. 7