



US00D641917S

(12) **United States Design Patent**  
**Toratani**

(10) **Patent No.:** **US D641,917 S**  
(45) **Date of Patent:** **\*\* Jul. 19, 2011**

(54) **PORTABLE LAMP WITH SOLAR BATTERY**

(75) Inventor: **Kouji Toratani**, Abeno-ku (JP)

(73) Assignee: **Sharp Kabushiki Kaisha**, Osaka (JP)

(\*\*) Term: **14 Years**

(21) Appl. No.: **29/364,507**

(22) Filed: **Jun. 24, 2010**

(30) **Foreign Application Priority Data**

Dec. 29, 2009 (JP) ..... 2009-030701

(51) **LOC (9) Cl.** ..... **23-03**

(52) **U.S. Cl.** ..... **D26/93**

(58) **Field of Classification Search** ..... D26/1,  
D26/24, 67-6, 93-94, 101, 104-110, 113;  
362/3, 153, 186, 217, 255, 257, 277, 317,  
362/351, 353, 362, 363, 382, 431, 433, 458,  
362/806

See application file for complete search history.

(56) **References Cited**

**U.S. PATENT DOCUMENTS**

D291,926 S \* 9/1987 Schlepp ..... D26/67  
D298,469 S \* 11/1988 Melrose ..... D26/24  
D309,787 S \* 8/1990 Chien ..... D26/67

D430,332 S \* 8/2000 Hsieh ..... D26/93  
D443,383 S \* 6/2001 Shih ..... D26/93  
D501,573 S \* 2/2005 Benensohn ..... D26/89  
D532,142 S \* 11/2006 Matsui et al. .... D26/80  
D549,386 S \* 8/2007 Zulloff ..... D26/93  
D576,753 S \* 9/2008 Mukai ..... D26/24  
D609,851 S \* 2/2010 Choi ..... D26/93  
D621,541 S \* 8/2010 Hamel ..... D26/93

\* cited by examiner

*Primary Examiner* — Brian N Vinson

(74) *Attorney, Agent, or Firm* — Nixon & Vanderhye, P.C.

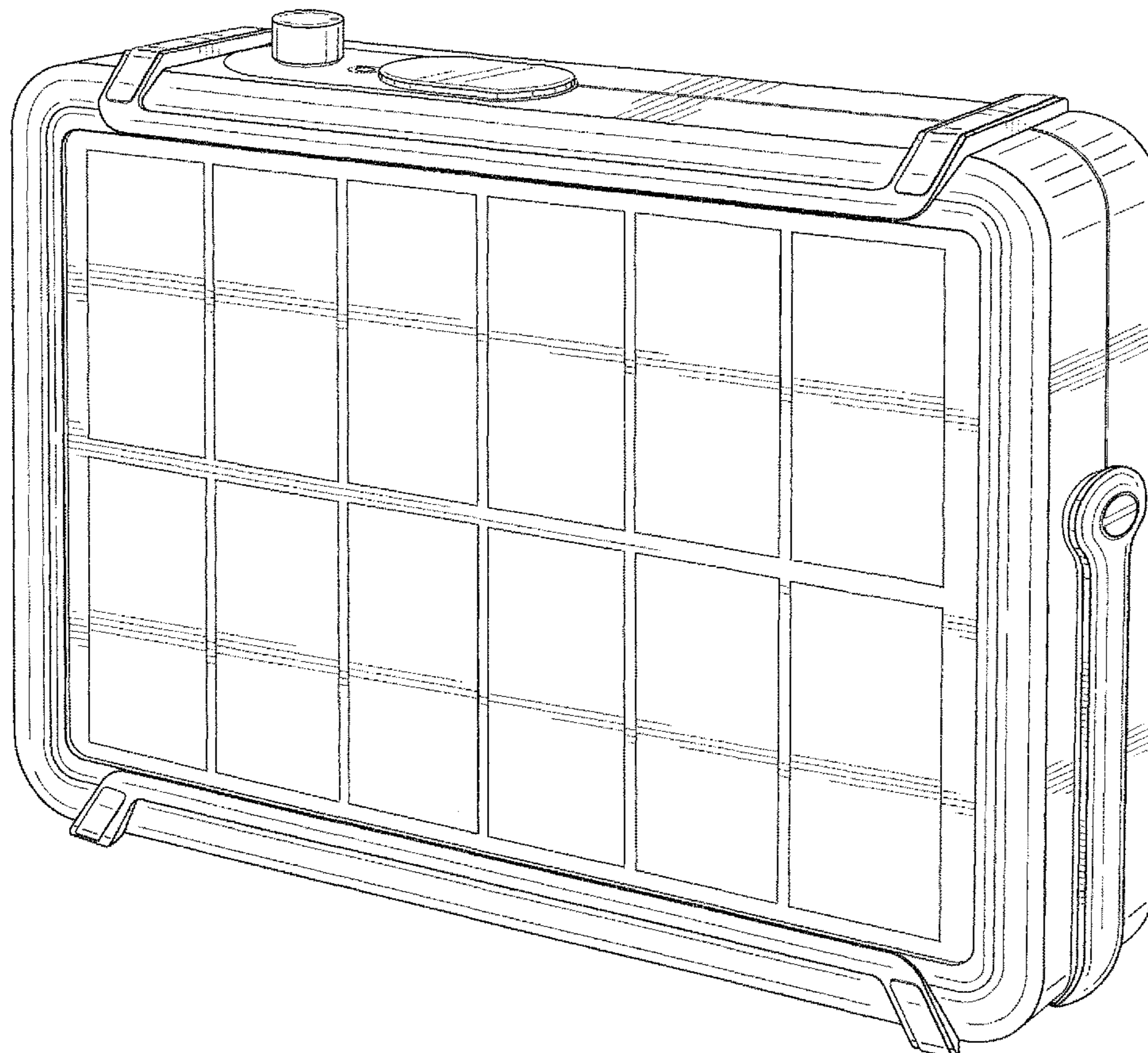
(57) **CLAIM**

The ornamental design for “portable lamp with solar battery,” as shown and described.

**DESCRIPTION**

FIG. 1 is a top right rear perspective view of a portable lamp with solar battery in accordance with my new design; FIG. 2 is a front elevation view thereof; FIG. 3 is a rear elevation view thereof; FIG. 4 is a top plan view thereof; FIG. 5 is a bottom plan view thereof; and, FIG. 6 is a right side elevation view thereof, the left side elevation view being a mirror image thereof.

**1 Claim, 5 Drawing Sheets**



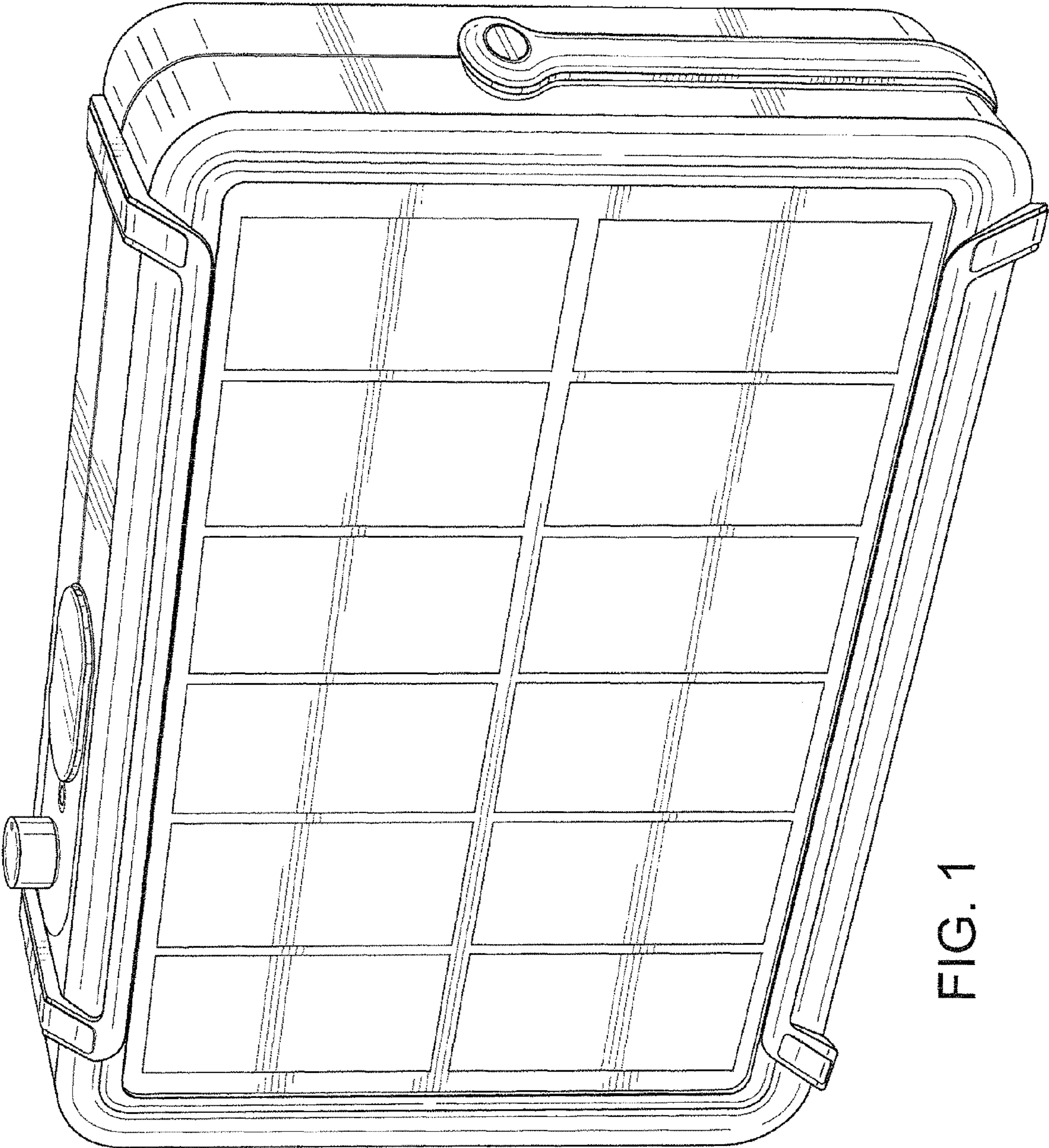


FIG. 1

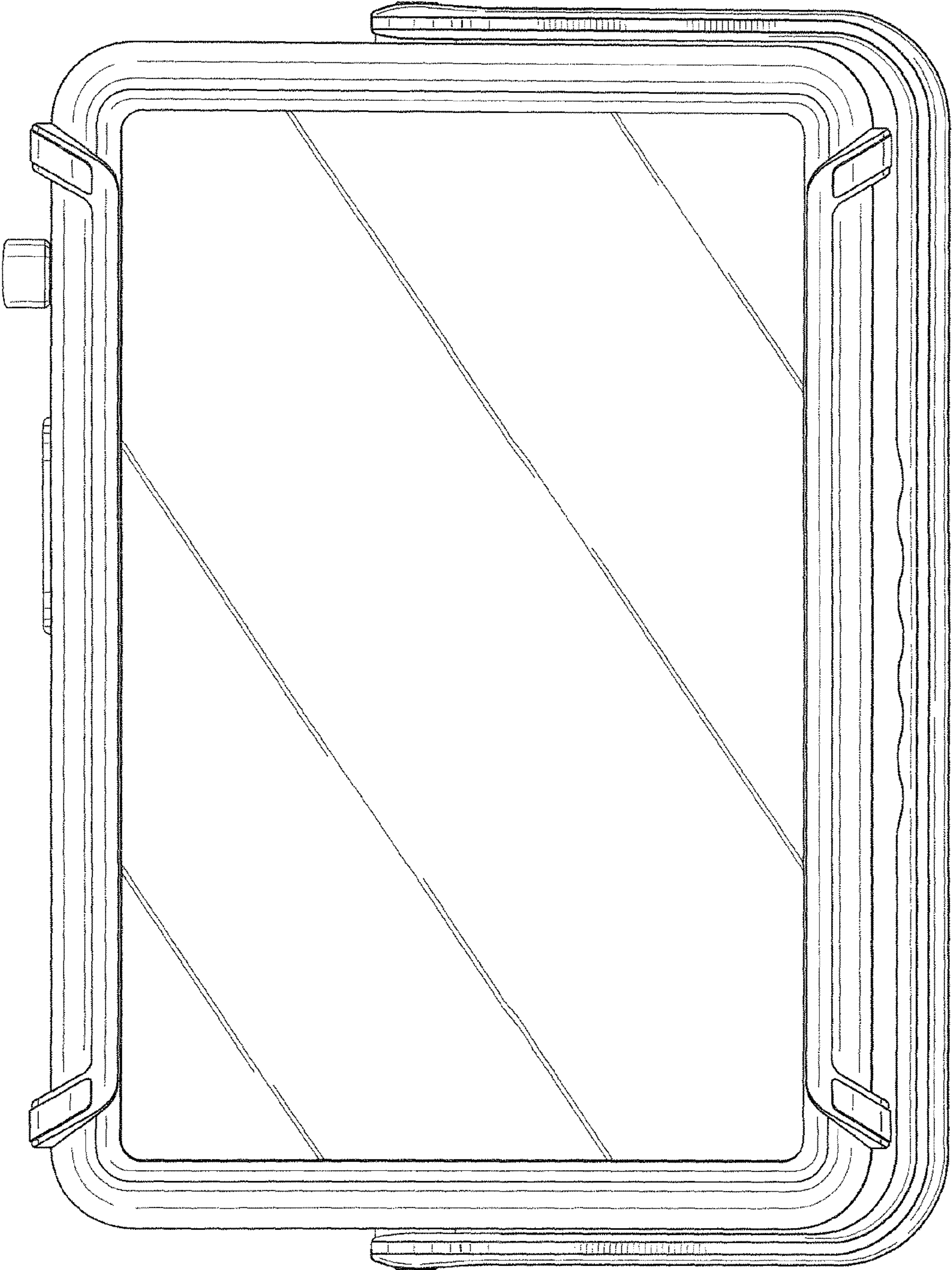


FIG. 2

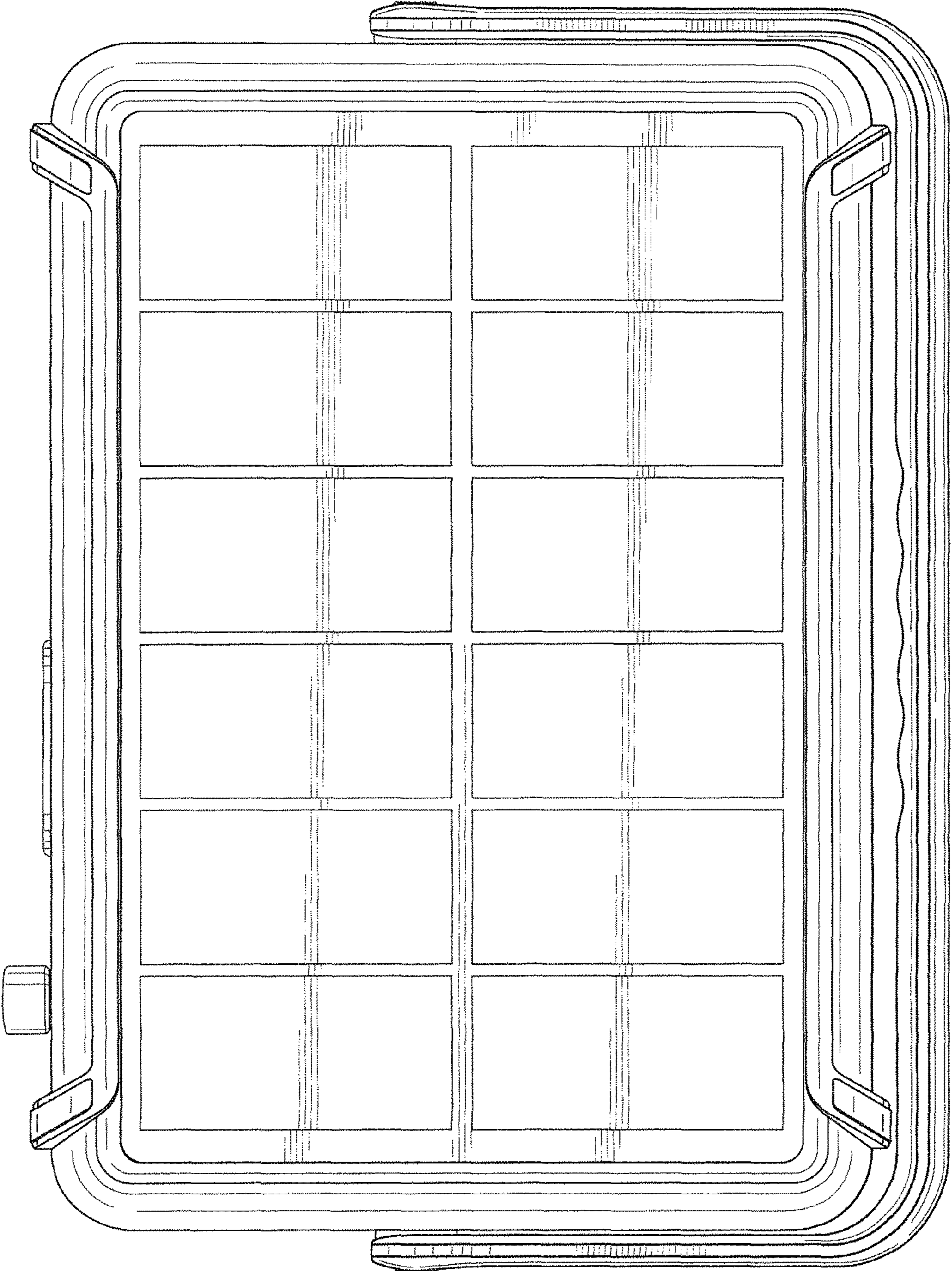


FIG. 3

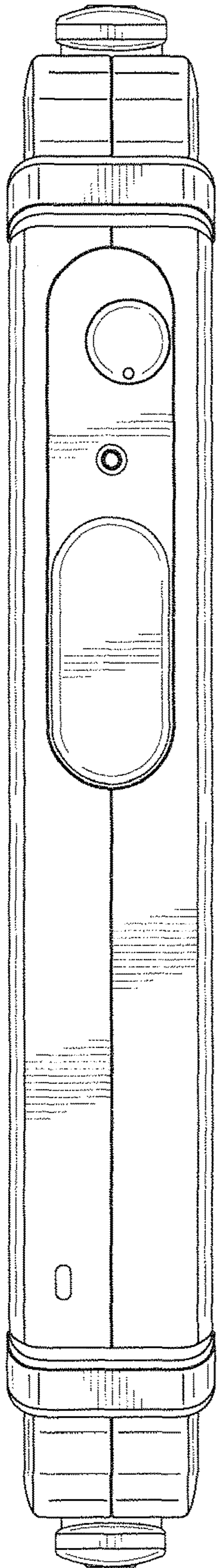


FIG. 4

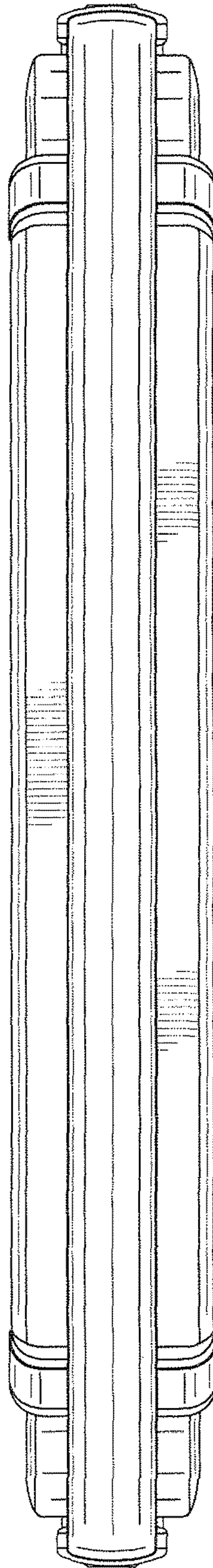


FIG. 5

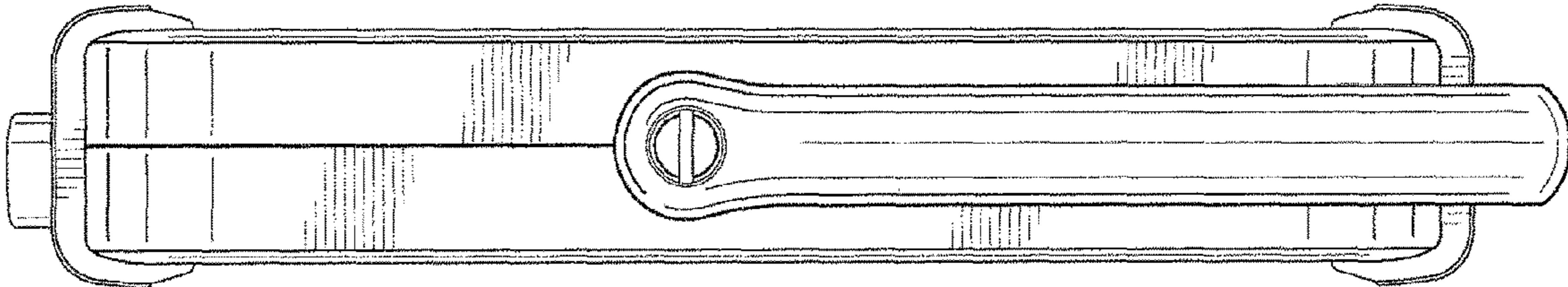


FIG. 6