



US00D641916S

(12) **United States Design Patent**
Witsch

(10) **Patent No.:** **US D641,916 S**

(45) **Date of Patent:** **** Jul. 19, 2011**

(54) **OLED LAMP**

(75) Inventor: **Carsten Witsch**, Aachen (DE)

(73) Assignee: **Koninklijke Philips Electronics N.V.**,
Eindhoven (NL)

(**) Term: **14 Years**

(21) Appl. No.: **29/357,939**

(22) Filed: **Mar. 19, 2010**

(30) **Foreign Application Priority Data**

Sep. 21, 2009 (EM) 001613761-0001

(51) **LOC (9) Cl.** **26-03**

(52) **U.S. Cl.** **D26/93; D26/61**

(58) **Field of Classification Search** D26/24,
D26/61-67, 93, 102, 104-105, 108-109;
362/509, 516, 523, 186, 217, 255, 257, 277,
362/317, 319, 351, 354, 355, 357, 358, 362,
362/382, 410, 413, 417, 806

See application file for complete search history.

(56) **References Cited**

U.S. PATENT DOCUMENTS

D301,632 S *	6/1989	Lohrentz	D26/61
D473,676 S *	4/2003	Barber	D26/93
D574,530 S *	8/2008	Tragatschnig	D26/61
D579,597 S *	10/2008	Ng	D26/61
D589,641 S *	3/2009	Sabernig	D26/93
D590,091 S *	4/2009	Starck	D26/93
D609,391 S *	2/2010	Schieffelin et al.	D26/93
D618,378 S *	6/2010	Huang	D26/93
D618,844 S *	6/2010	Huang	D26/93

* cited by examiner

Primary Examiner — Brian N Vinson

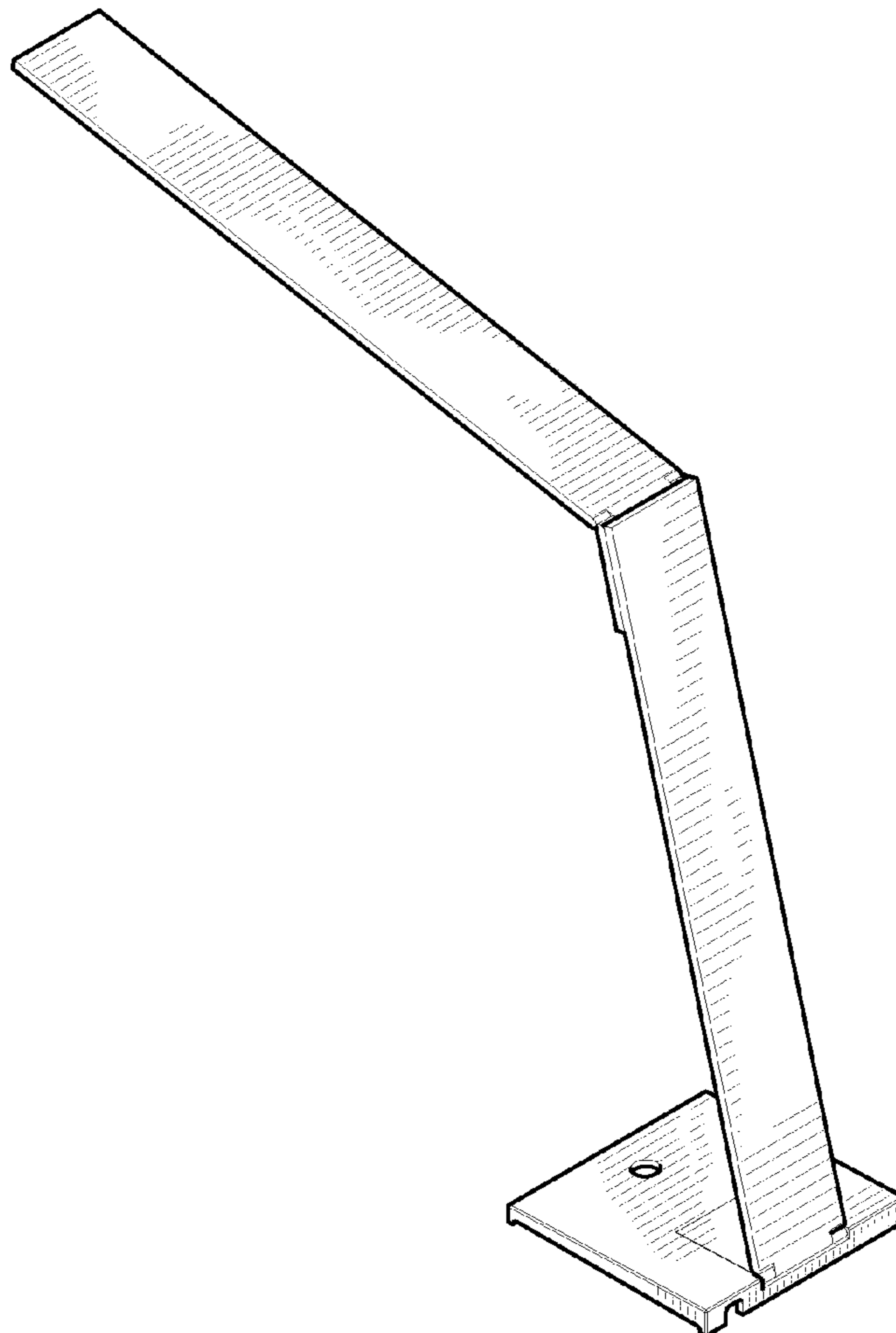
(57) **CLAIM**

The ornamental design for a OLED lamp, as shown.

DESCRIPTION

FIG. 1 is a perspective view showing my design;
FIG. 2 is a front elevational view thereof;
FIG. 3 is a rear elevational view thereof;
FIG. 4 is a right side elevational view thereof;
FIG. 5 is a left side elevational view thereof;
FIG. 6 is a top plan view thereof; and,
FIG. 7 is a bottom plan view thereof.

1 Claim, 5 Drawing Sheets



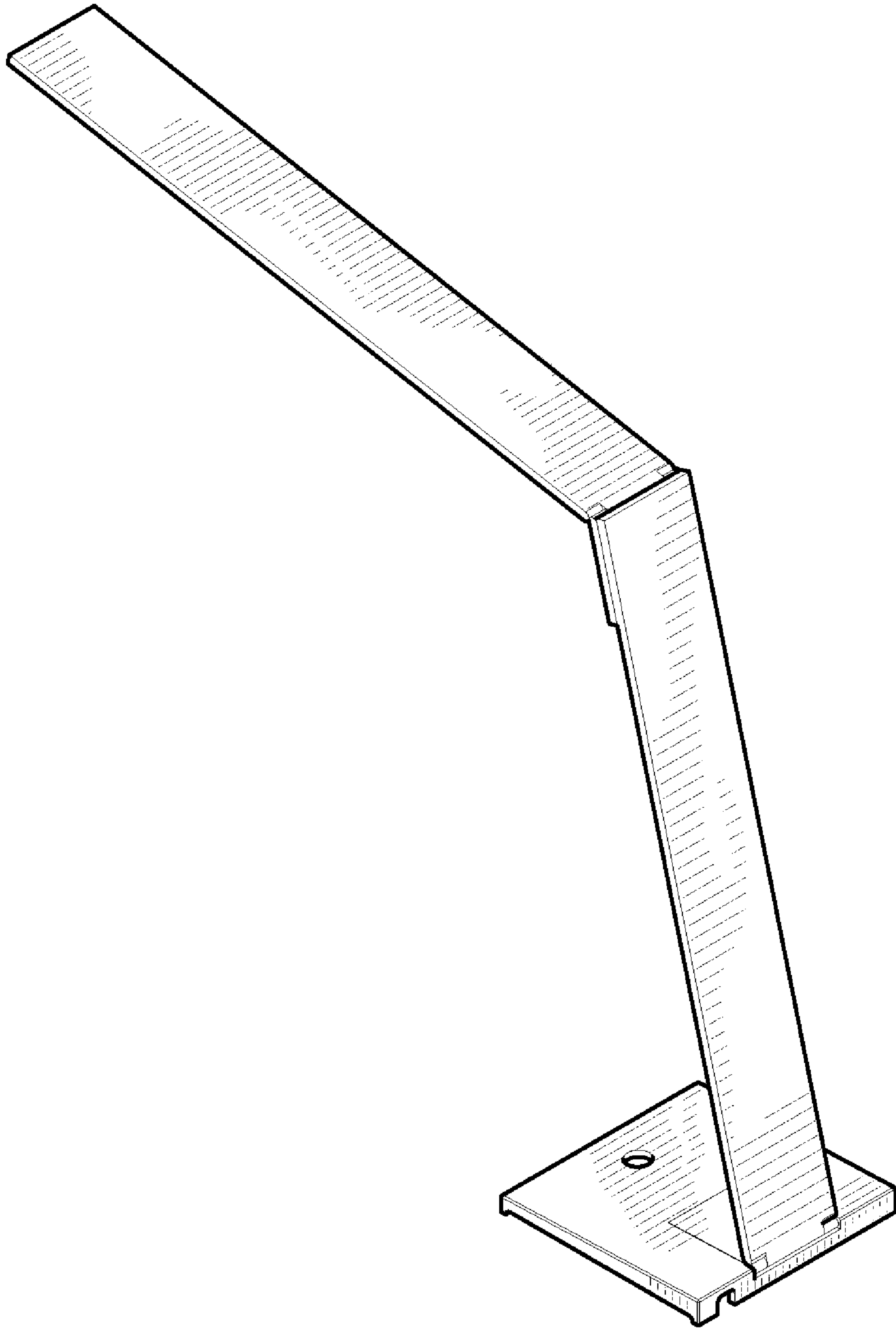


FIG. 1

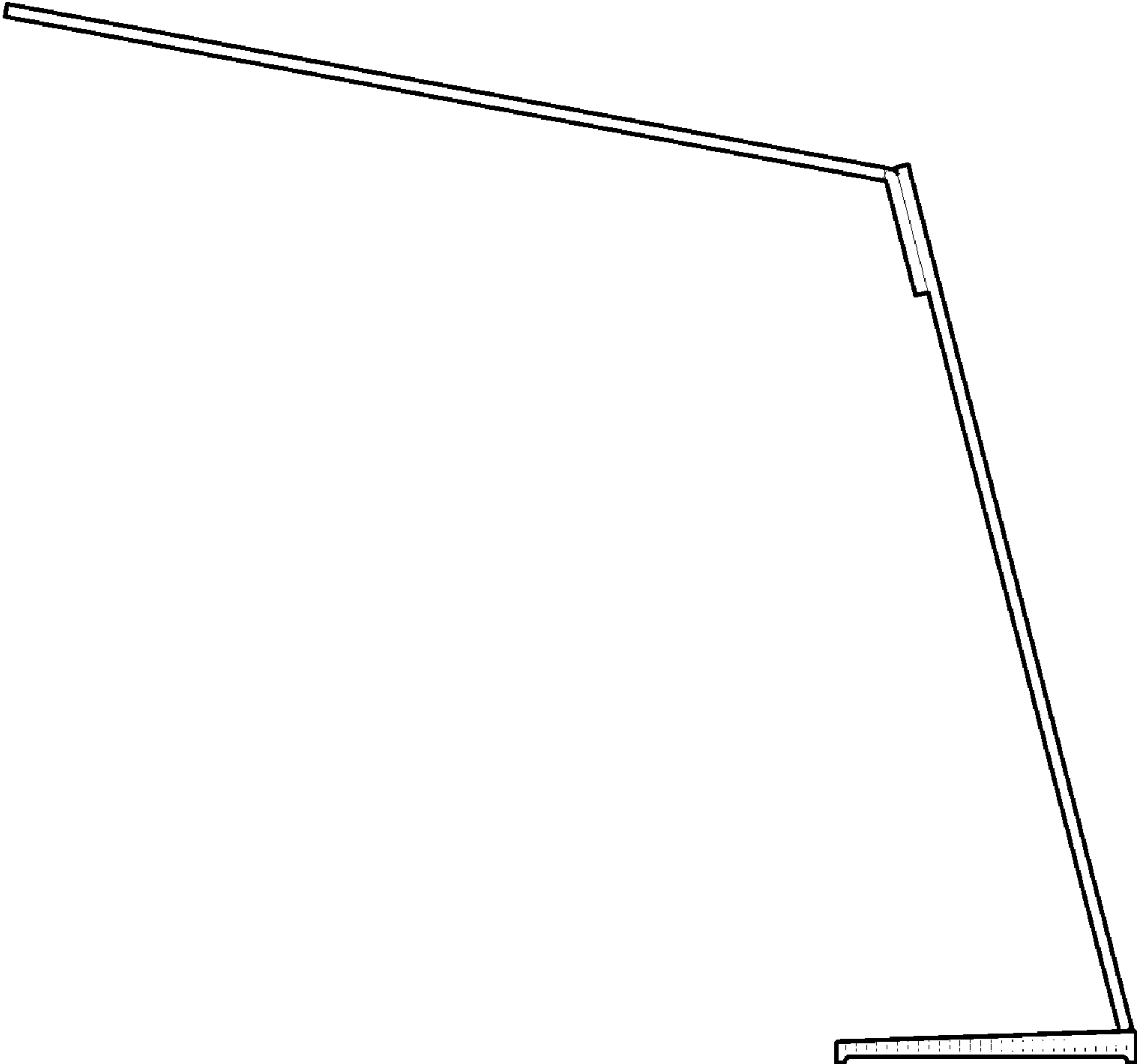


FIG.2

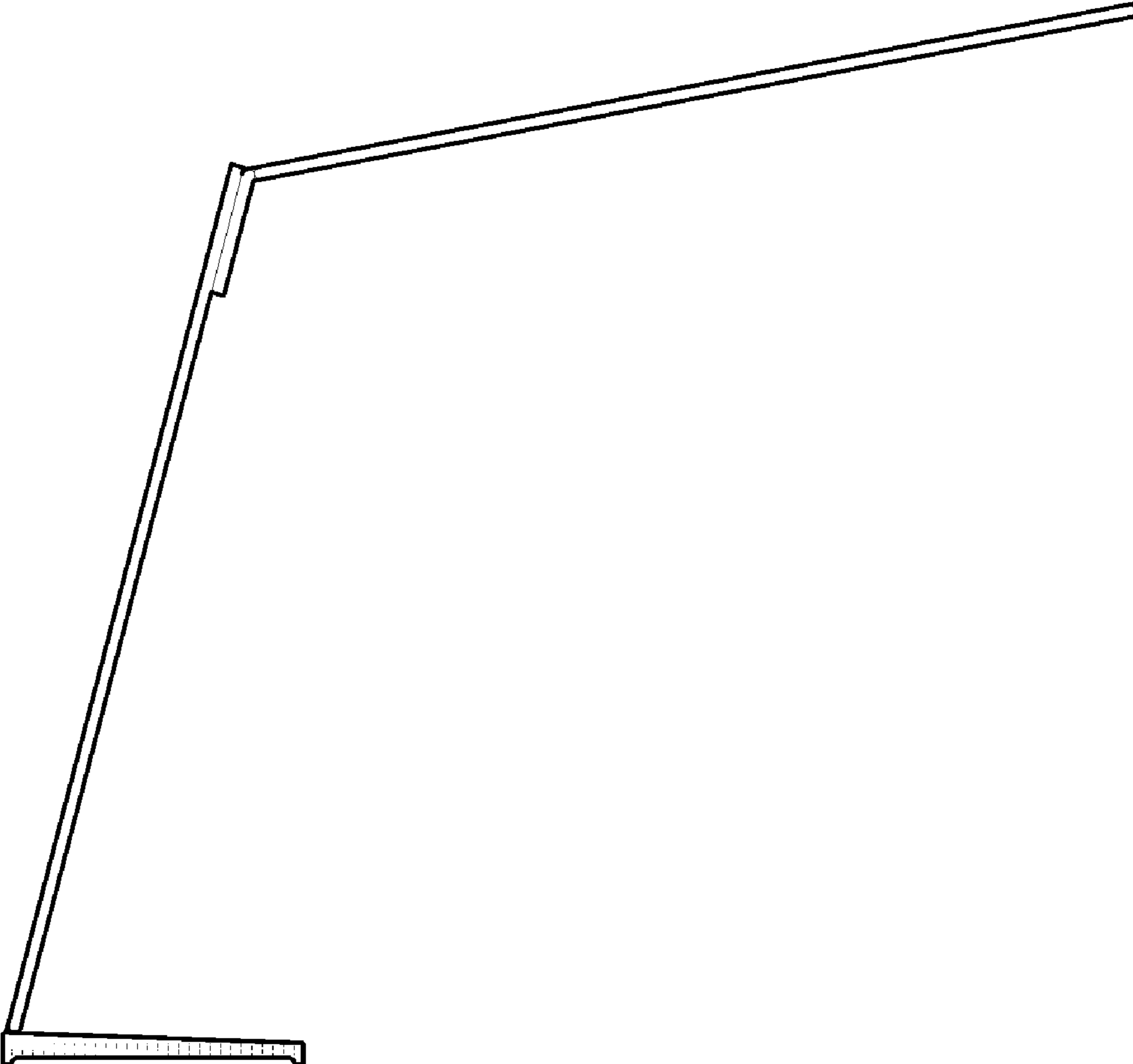


FIG.3

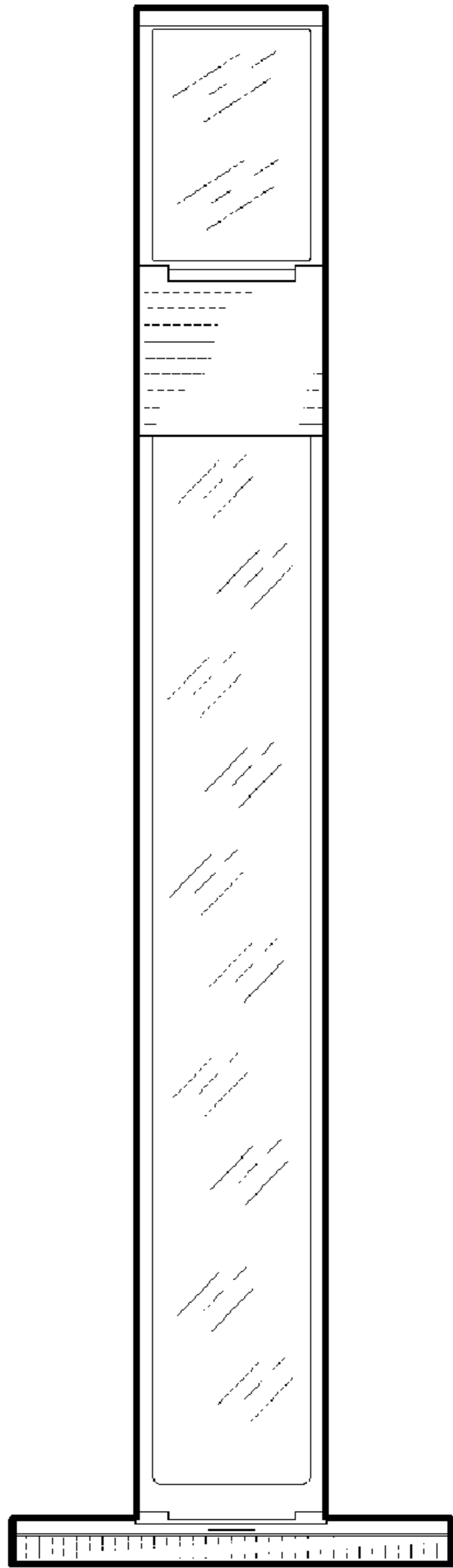


FIG. 4

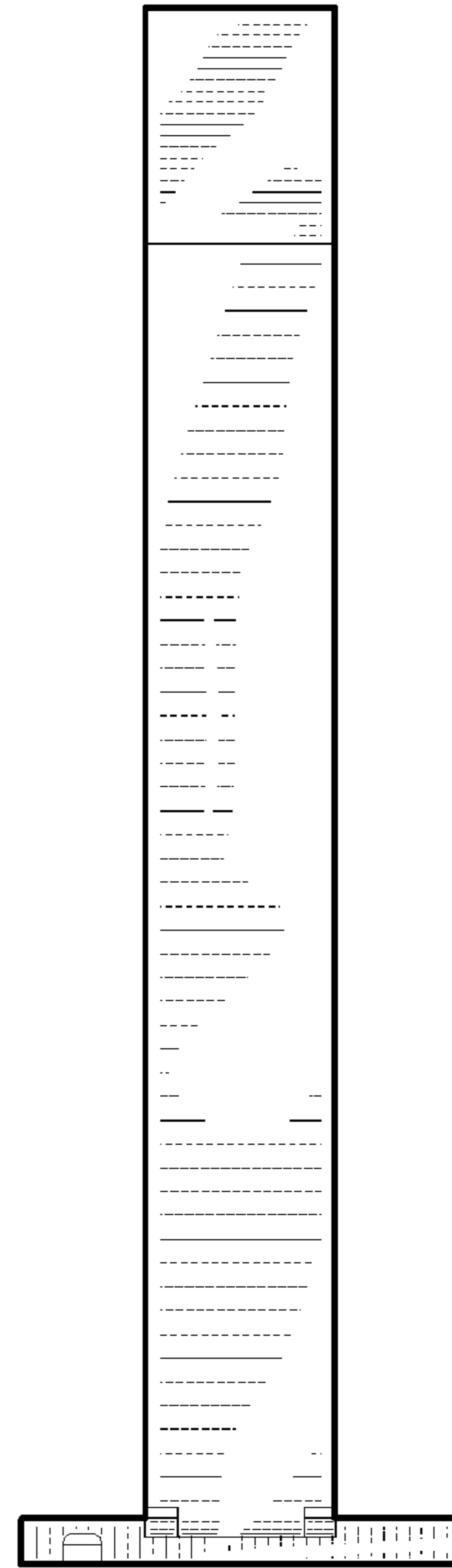


FIG. 5

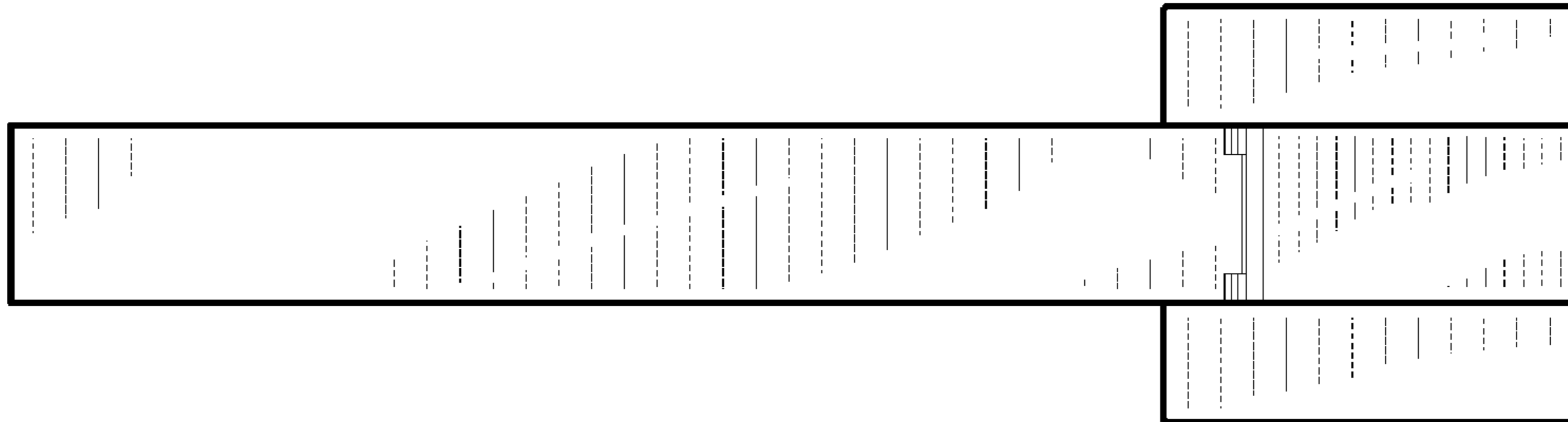


FIG. 6

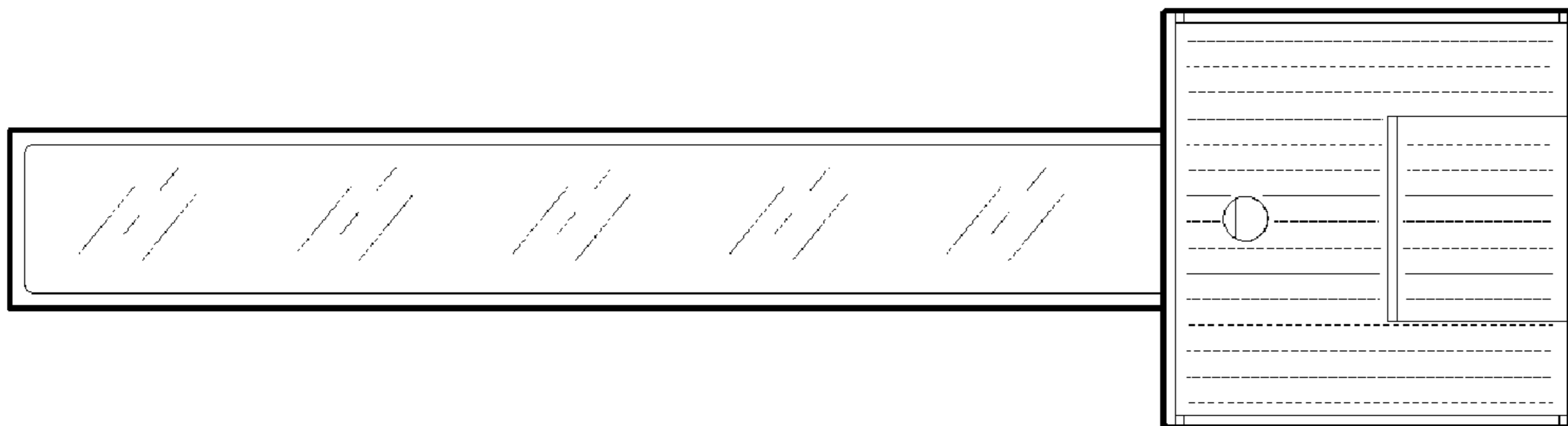


FIG. 7