



US00D641915S

(12) **United States Design Patent**
Waldmann

(10) **Patent No.:** **US D641,915 S**

(45) **Date of Patent:** **** Jul. 19, 2011**

(54) **FLOOR LAMP**

(75) Inventor: **Gerhard Waldmann**, Stein am Rhein
(CH)

(73) Assignee: **Herbert Waldmann GmbH & Co. KG**,
Villingen-Schwenningen (DE)

(**) Term: **14 Years**

(21) Appl. No.: **29/368,521**

(22) Filed: **Aug. 25, 2010**

(30) **Foreign Application Priority Data**

Feb. 26, 2010 (DE) 40 2010 001 073

(51) **LOC (9) Cl.** **26-03**

(52) **U.S. Cl.** **D26/90; D26/107**

(58) **Field of Classification Search** D26/24,
D26/61-67, 93, 102, 104-105, 108-10, 107;
362/509, 516, 523, 186, 217, 255, 257, 277,
362/317, 319, 351, 354, 355, 357, 358, 362,
362/382, 410, 413, 417, 806

See application file for complete search history.

(56) **References Cited**

U.S. PATENT DOCUMENTS

D127,584 S * 6/1941 Livers D26/105
D204,793 S * 5/1966 Rodriguez D26/63
D226,021 S * 1/1973 Haft D26/107
D243,549 S * 3/1977 Neveux D26/66
D425,651 S * 5/2000 Gager et al. D26/108

D502,282 S * 2/2005 Waldmann D26/107
D529,222 S * 9/2006 Waldmann D26/107
D539,970 S * 4/2007 Waldmann D26/107
D607,594 S * 1/2010 Waldmann D26/76
D609,391 S * 2/2010 Schieffelin et al. D26/93
D610,731 S * 2/2010 Lenz D26/71
D634,875 S * 3/2011 Jiang et al. D26/71

* cited by examiner

Primary Examiner — Brian N Vinson

(74) *Attorney, Agent, or Firm* — Andrew F. Young, Esq.;
Lackebach Siegel, LLP

(57) **CLAIM**

The ornamental design for a floor lamp, as shown and described.

DESCRIPTION

FIG. 1 is a perspective view of a floor lamp showing my new design;

FIG. 2 is a right side elevation view thereof;

FIG. 3 is a front elevation view thereof;

FIG. 4 is a left side elevation view thereof;

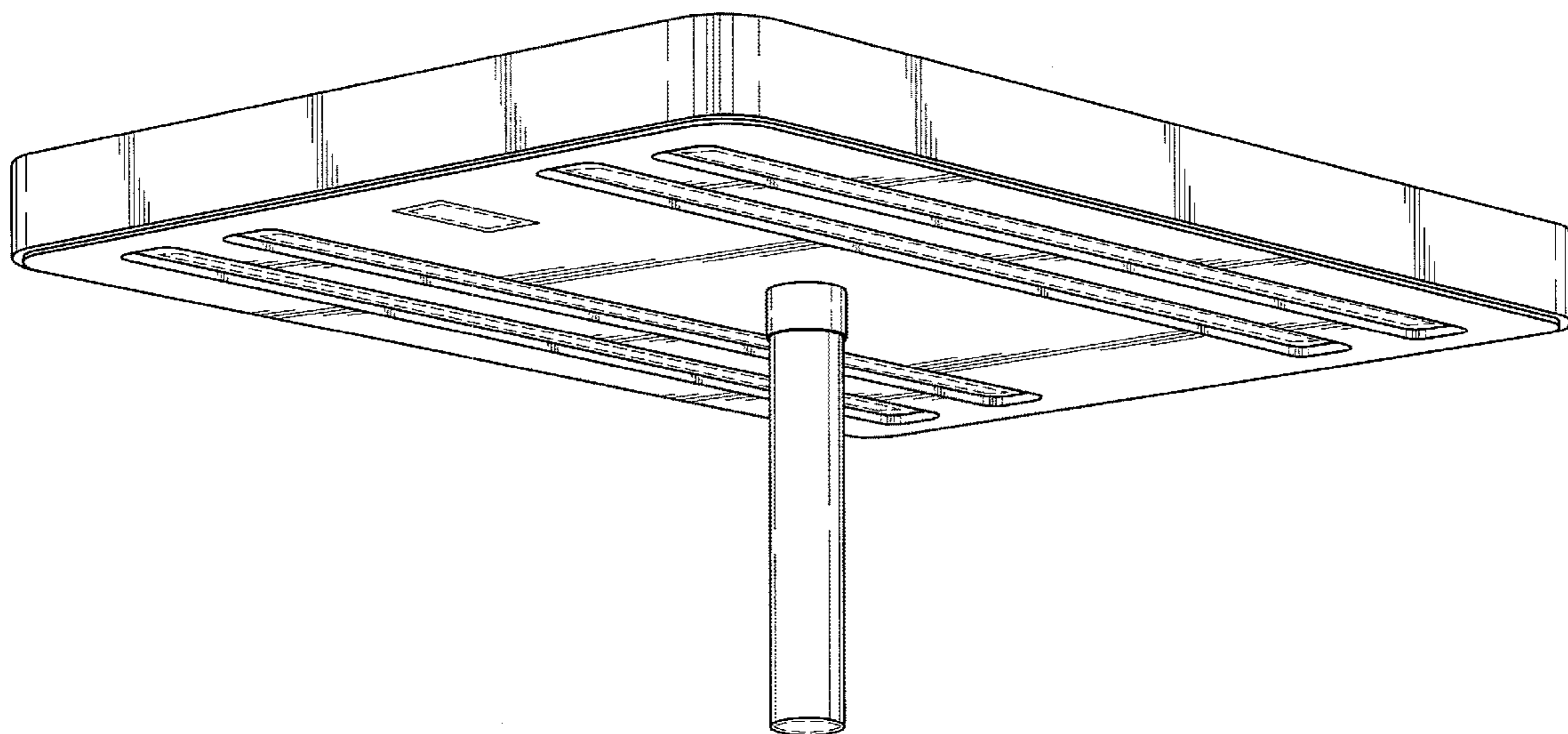
FIG. 5 is a rear elevation view thereof;

FIG. 6 is a top plan view thereof; and,

FIG. 7 is a bottom plan view thereof.

The broken-line disclosure in the views is understood to represent portions of the article in which the claimed design is embodied, but which form no part of the claimed design.

1 Claim, 7 Drawing Sheets



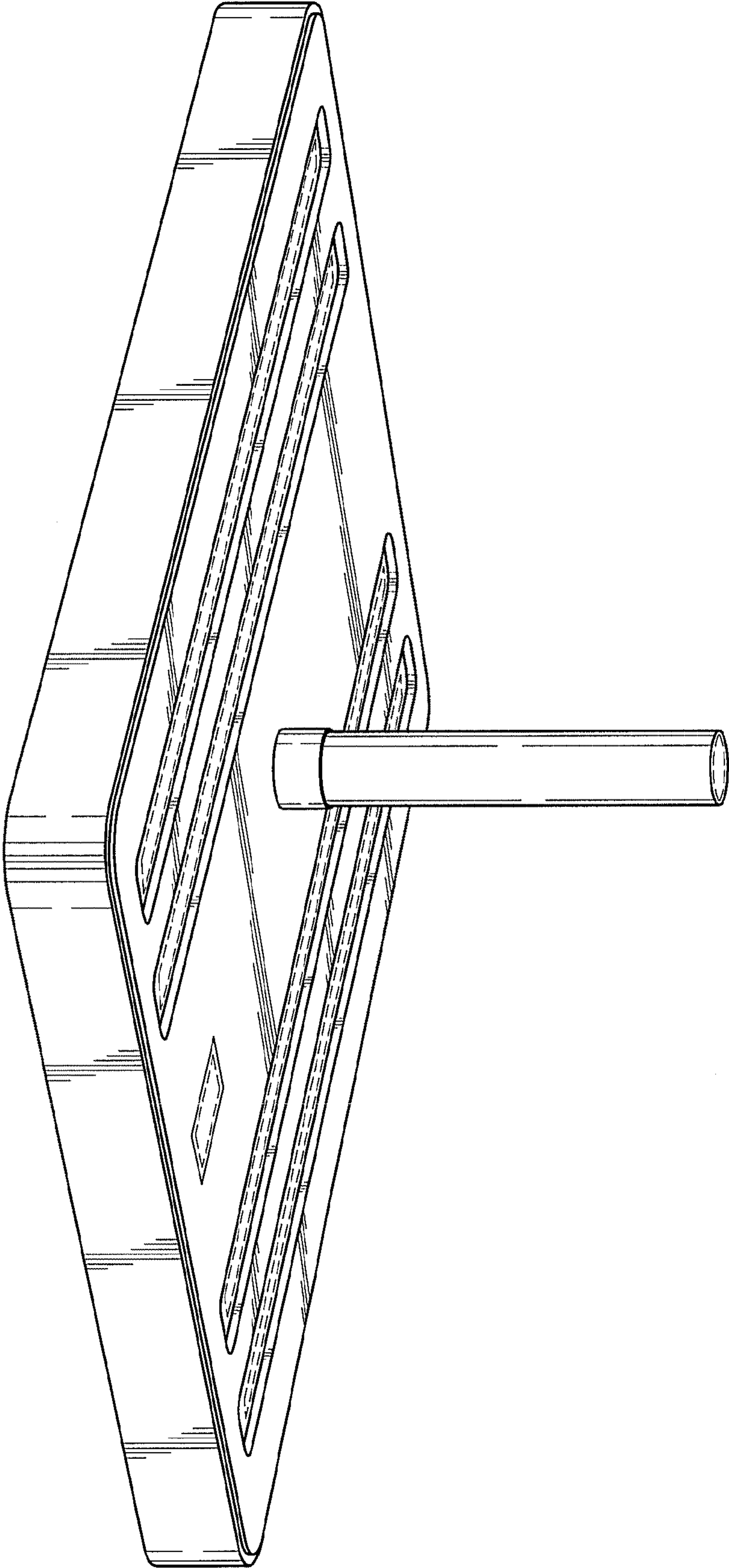


Fig. 1

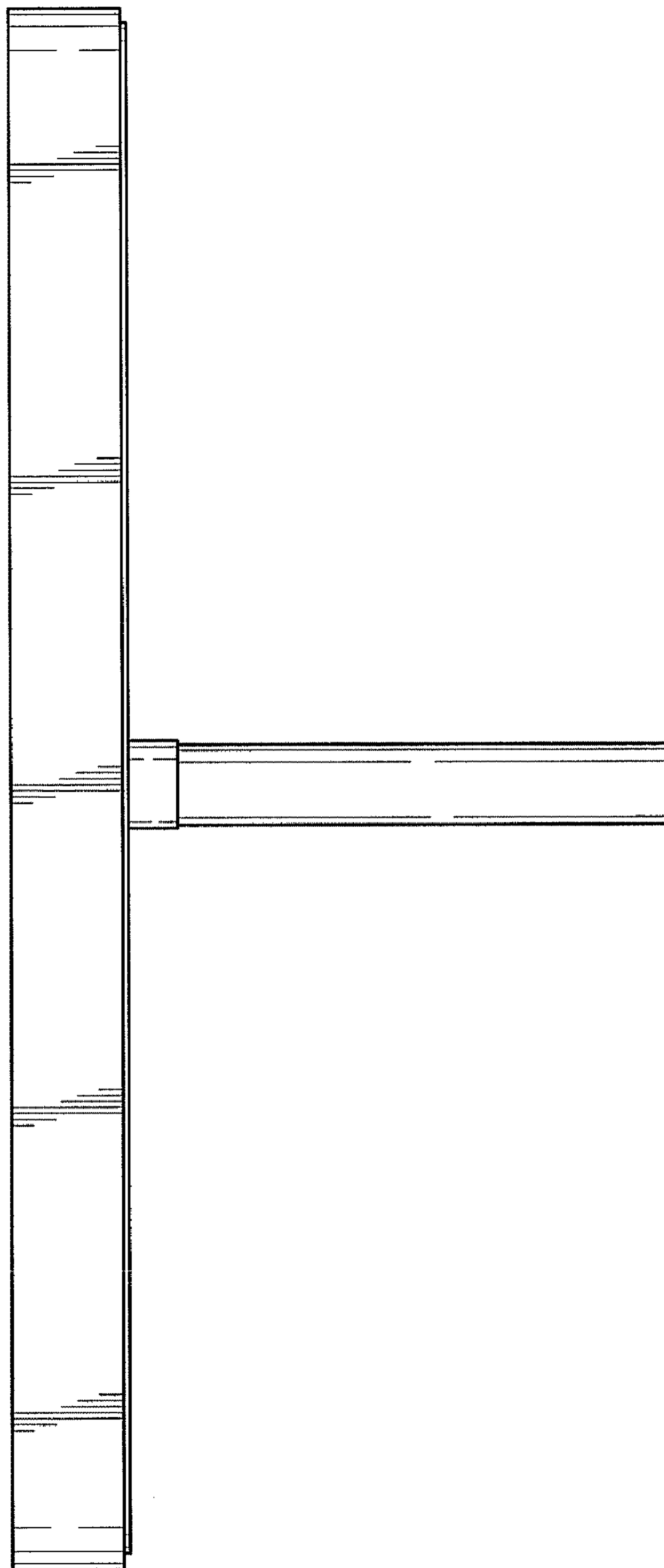


Fig. 2

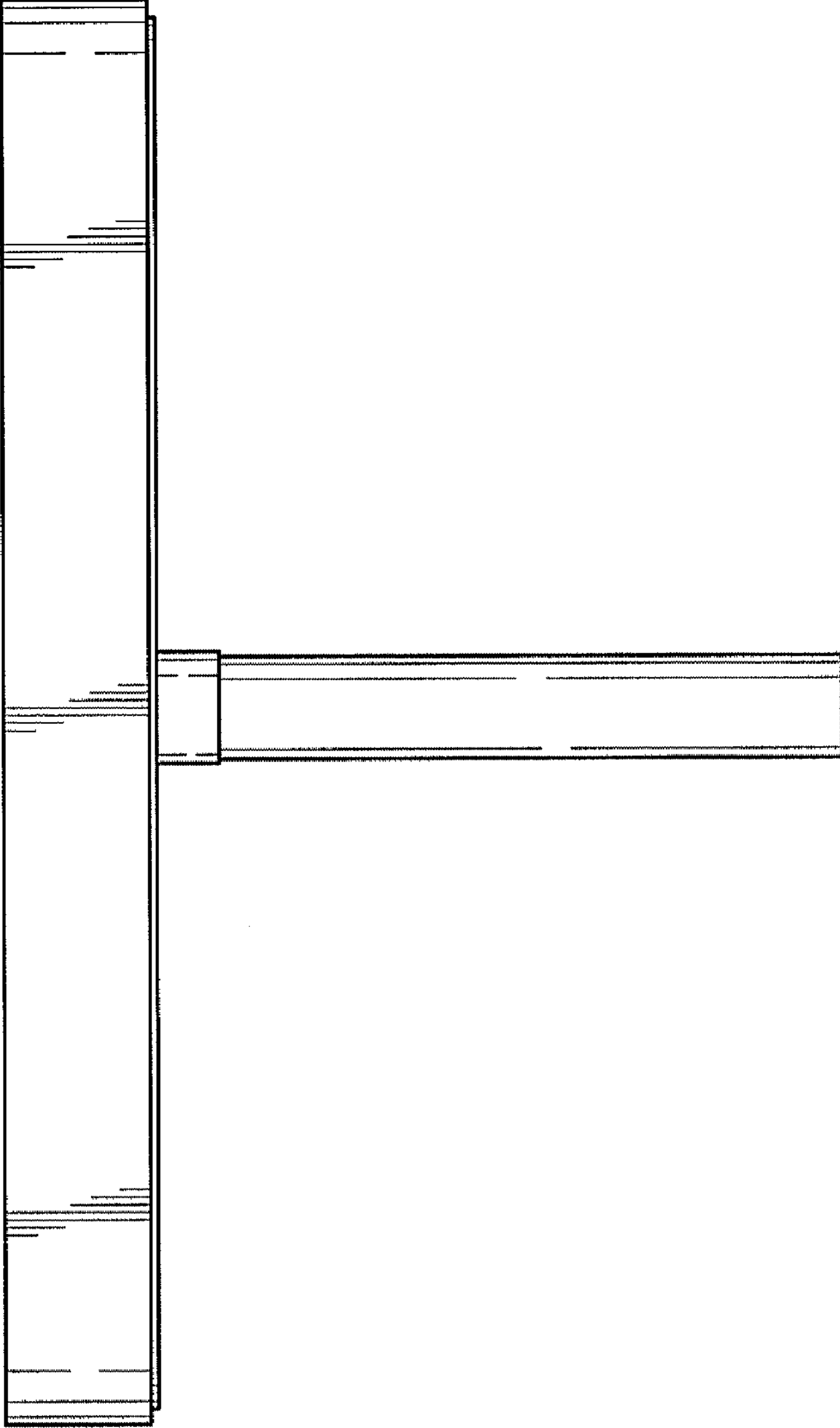


Fig. 3

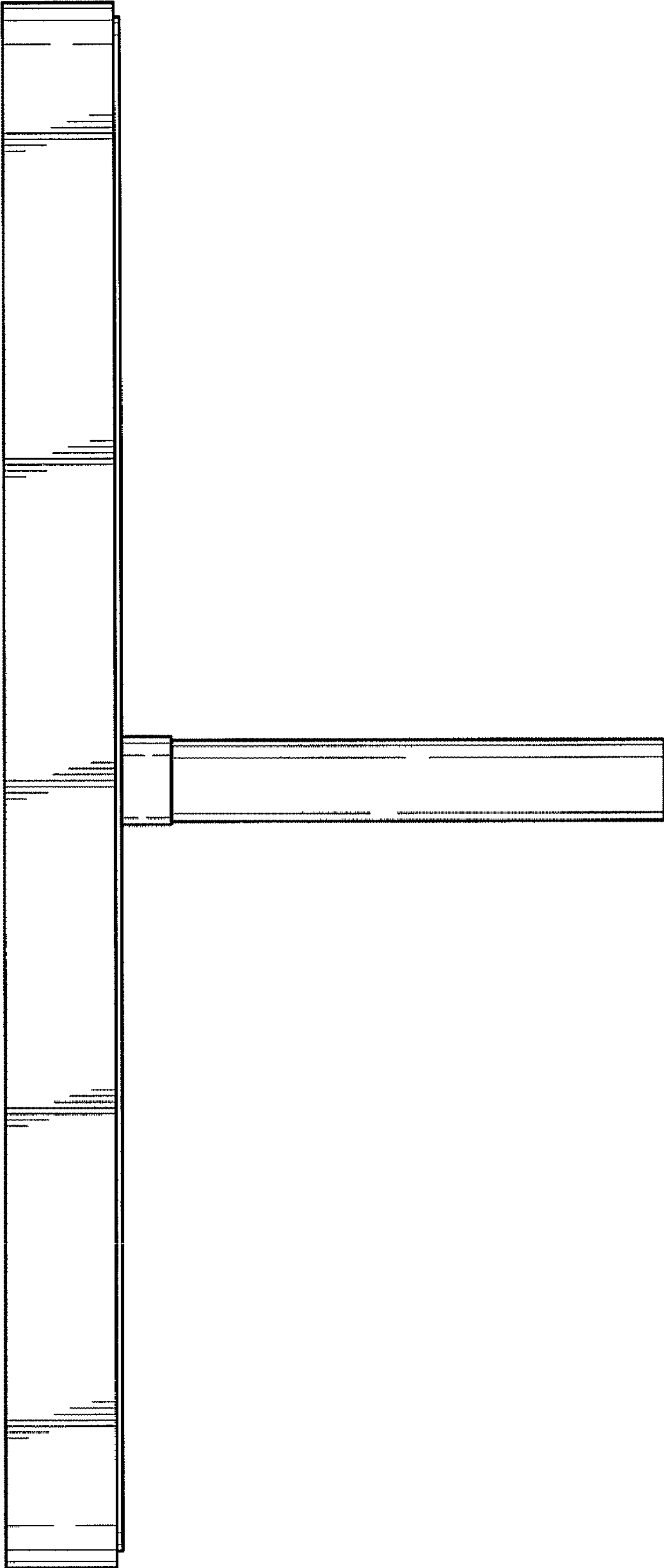


Fig. 4

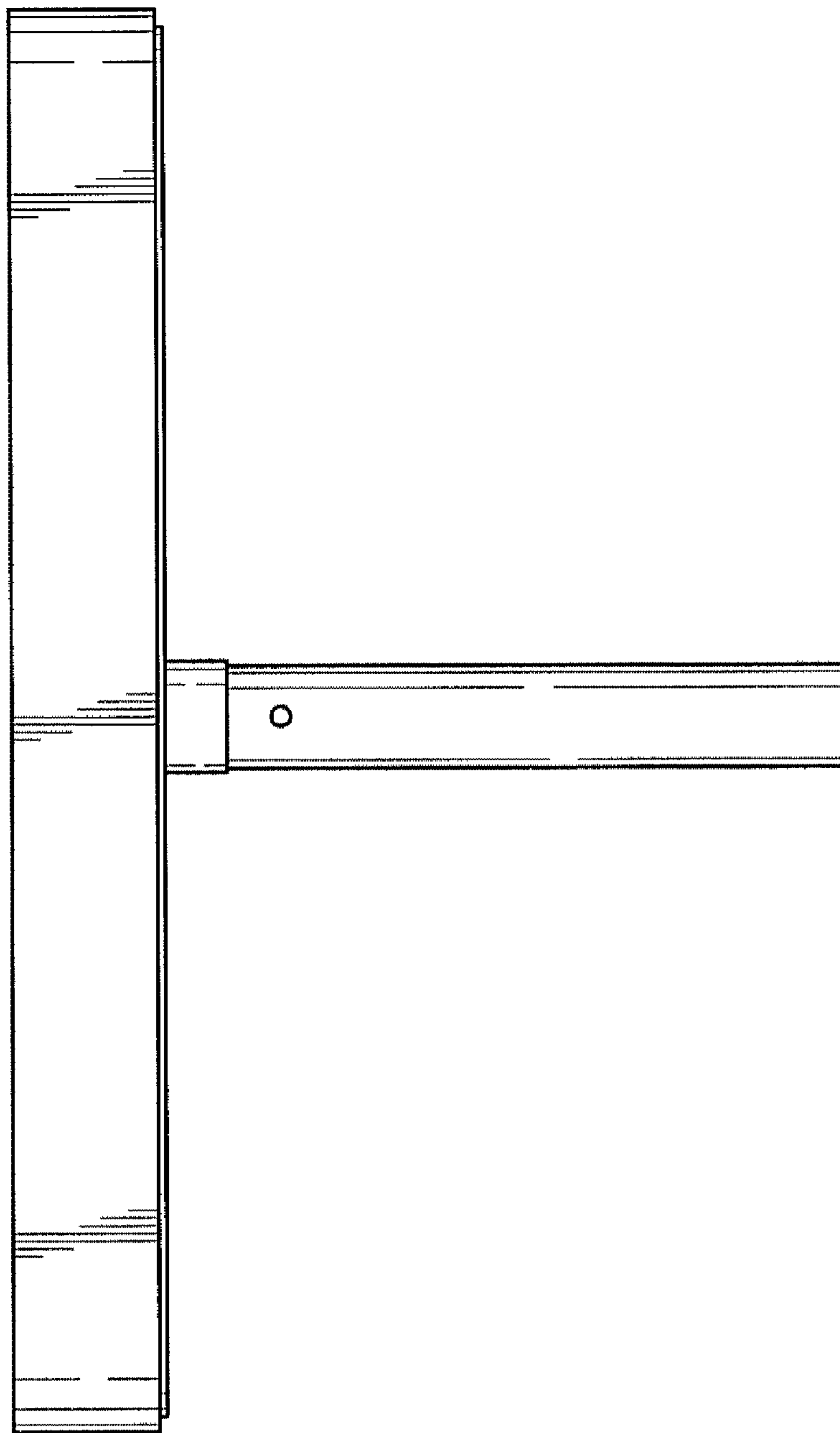


Fig. 5

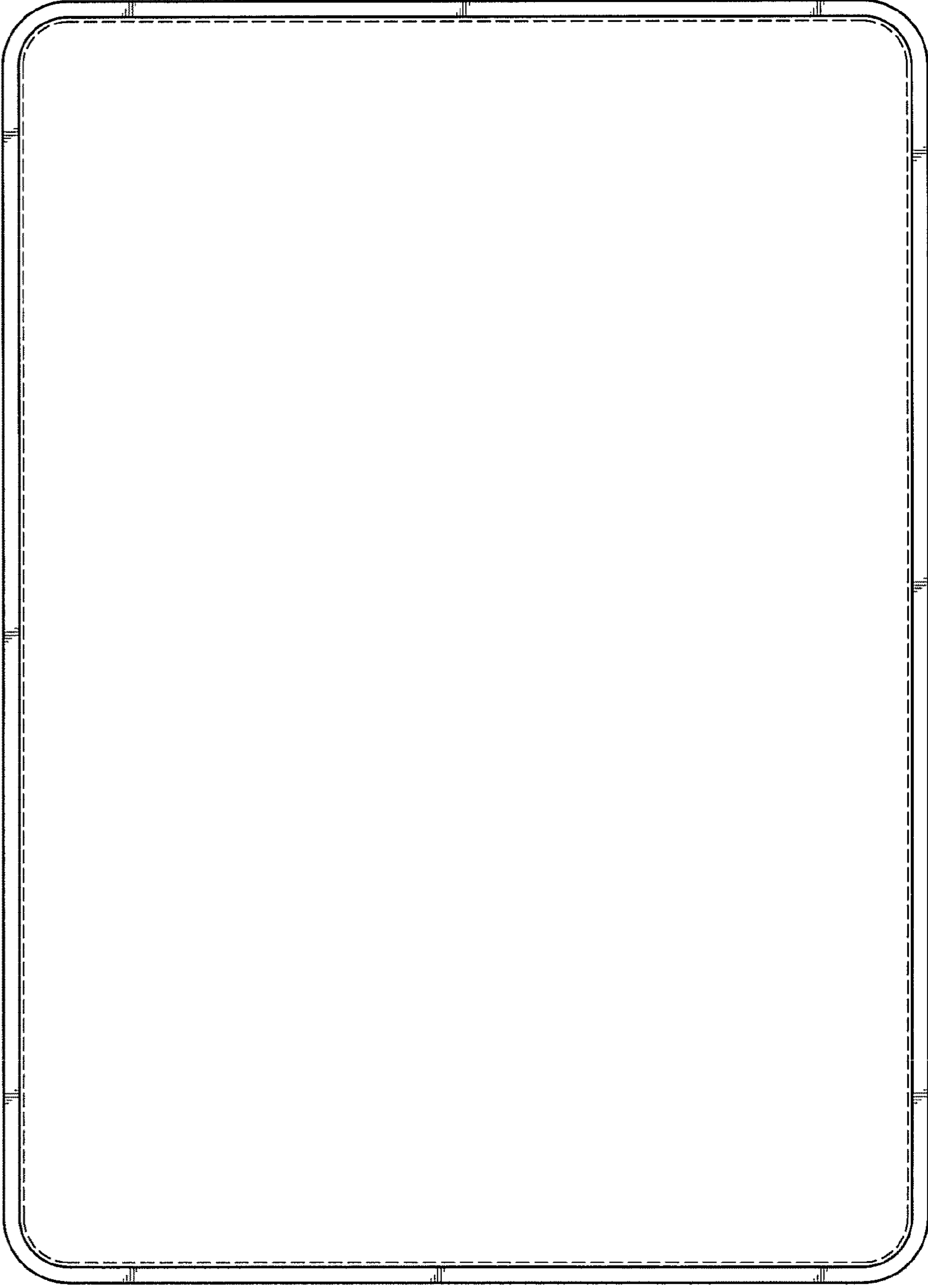


Fig. 6

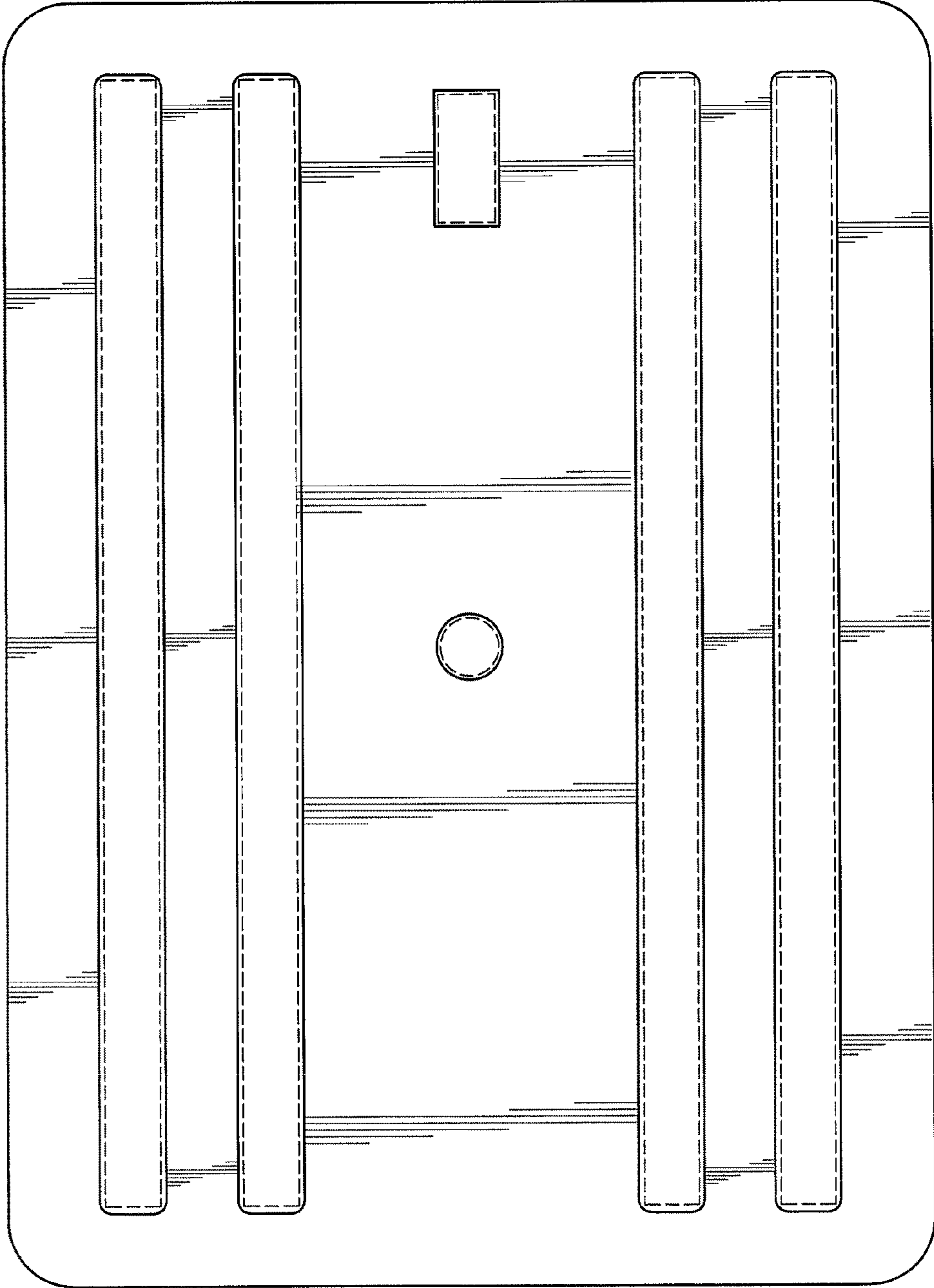


Fig. 7