



US00D641911S

(12) **United States Design Patent**
Gutting

(10) **Patent No.:** **US D641,911 S**

(45) **Date of Patent:** **** Jul. 19, 2011**

(54) **LUMINAIRE**

(75) **Inventor:** **David James Gutting**, Richmond, CA (US)

(73) **Assignee:** **Cooper Technologies Company**, Houston, TX (US)

(**) **Term:** **14 Years**

(21) **Appl. No.:** **29/375,195**

(22) **Filed:** **Sep. 17, 2010**

(51) **LOC (9) Cl.** **26-03**

(52) **U.S. Cl.** **D26/88**

(58) **Field of Classification Search** D26/85,
D26/87, 88, 90, 91, 118, 128-130, 137, 144;
362/147, 404-408, 431, 432

See application file for complete search history.

D481,484 S *	10/2003	Cuevas et al.	D26/84
D482,158 S *	11/2003	Velikov et al.	D26/128
6,921,186 B1 *	7/2005	Viskovich	362/404
D548,387 S *	8/2007	McDowell	D26/118
D557,451 S *	12/2007	McDowell	D26/118
D561,928 S *	2/2008	Silver	D26/88
D563,590 S *	3/2008	Hetfield et al.	D26/88
D574,545 S *	8/2008	Baldele	D26/88
D583,090 S *	12/2008	Silver	D26/85
D596,782 S *	7/2009	Silver	D26/90
D596,783 S *	7/2009	Silver	D26/90

* cited by examiner

Primary Examiner — Clare E Heflin

(74) *Attorney, Agent, or Firm* — King & Spalding LLP

(57) **CLAIM**

The ornamental design for a luminaire, as shown and described.

DESCRIPTION

FIG. 1 is a perspective view of a luminaire, showing our new design;

FIG. 2 is a front elevation view thereof. The right-side elevation view, rear elevation view, and left-side elevation view are identical to the front elevation view;

FIG. 3 is a bottom plan view thereof; and,

FIG. 4 is a top plan view thereof.

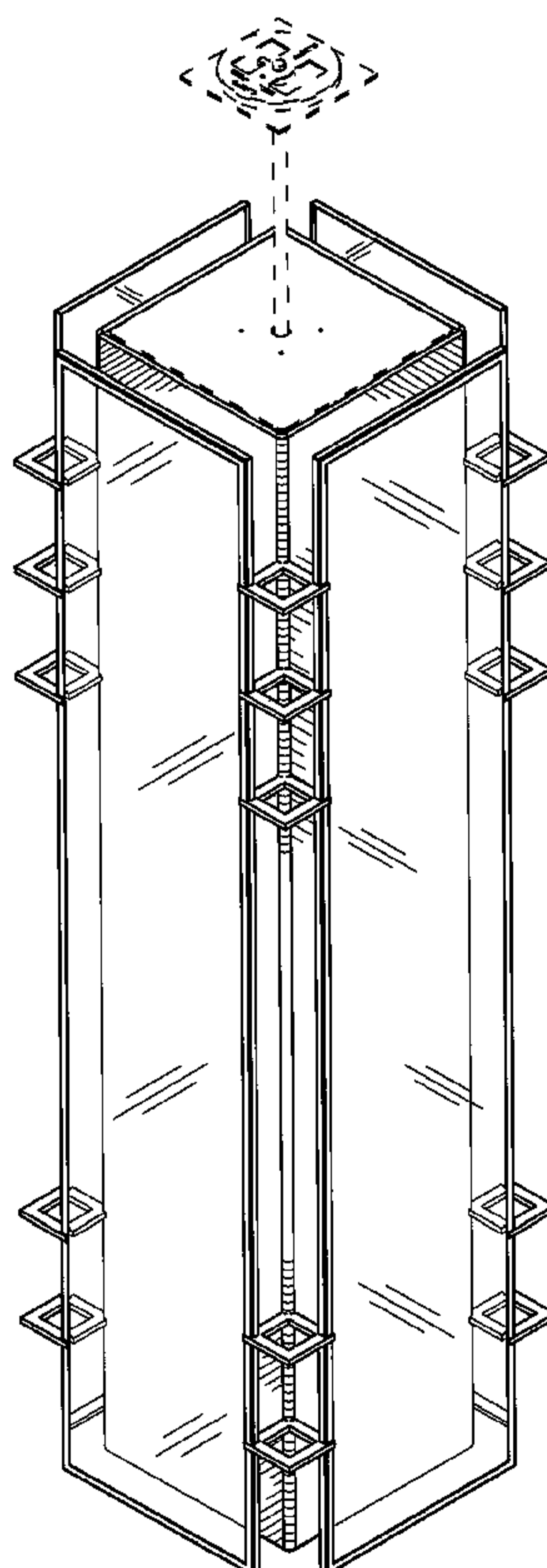
The broken lines shown represent unclaimed subject matter and form no part of the claimed design.

1 Claim, 4 Drawing Sheets

(56) **References Cited**

U.S. PATENT DOCUMENTS

D79,705 S *	10/1929	Flood, Jr.	D26/90
D86,313 S *	2/1932	Hollister	D26/88
3,222,517 A *	12/1965	Peter	362/350
D209,226 S *	11/1967	Powers, Jr.	D26/91
D210,015 S *	1/1968	Kahn	D22/123
D215,171 S *	9/1969	Meltzer	D26/88
D399,330 S *	10/1998	Geier et al.	D26/88
D400,287 S *	10/1998	Littman et al.	D26/88
D439,359 S *	3/2001	Feng	D26/85
D451,628 S *	12/2001	Hutton	D26/110



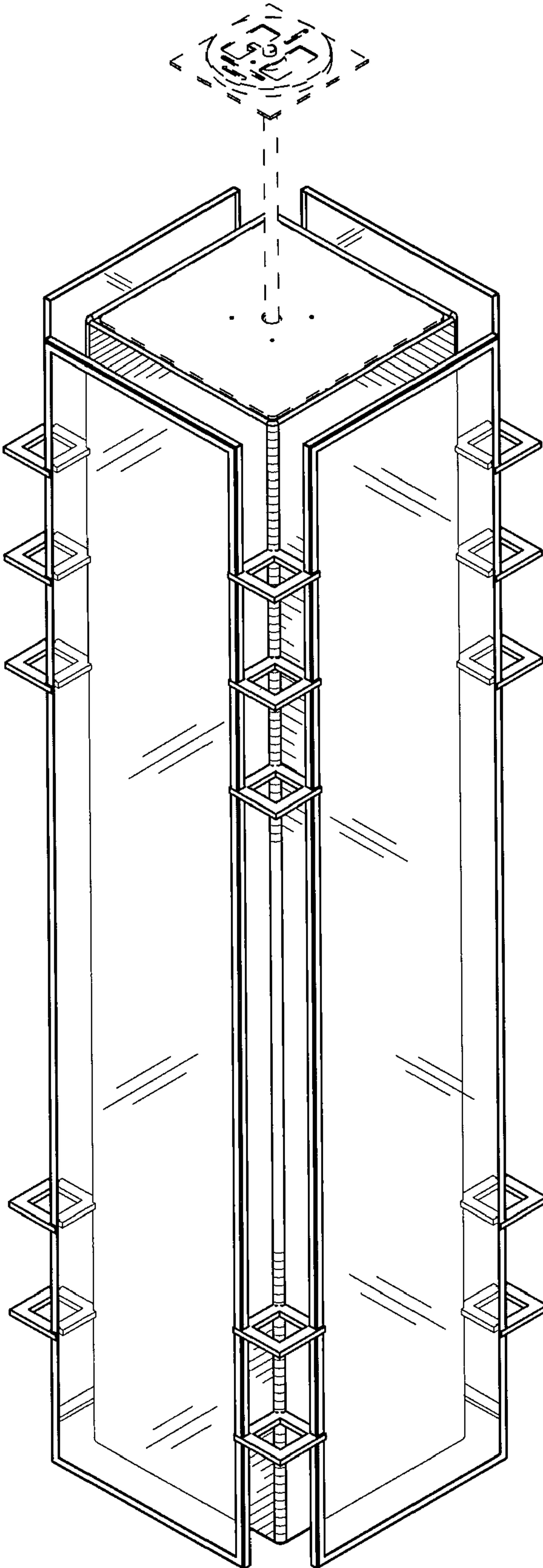


FIG.1

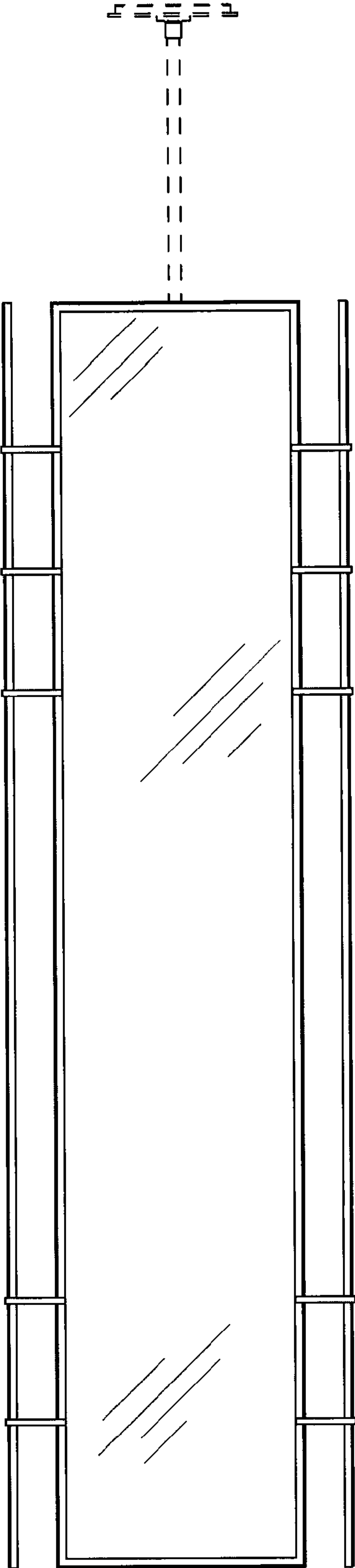


FIG.2

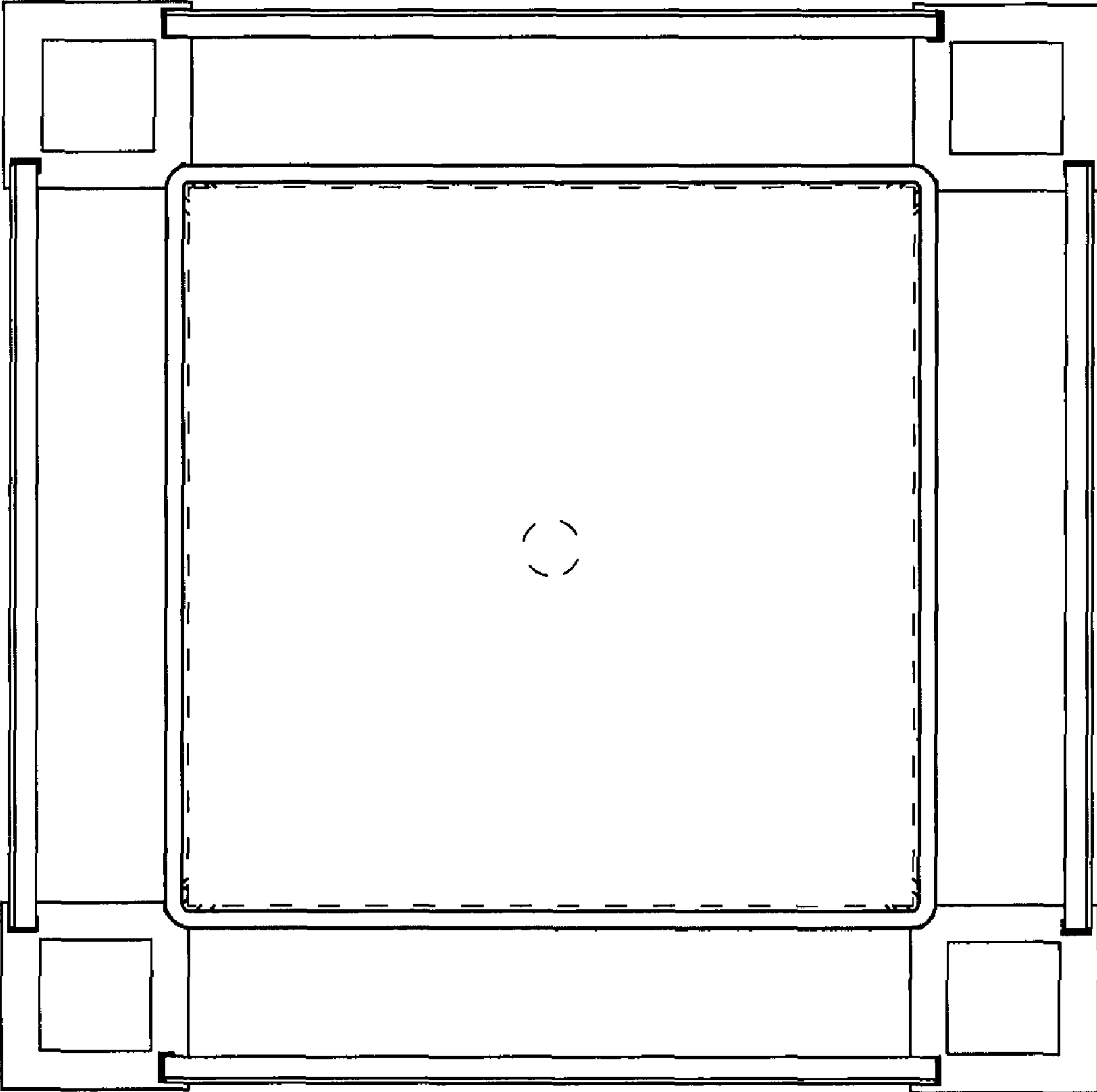


FIG.3

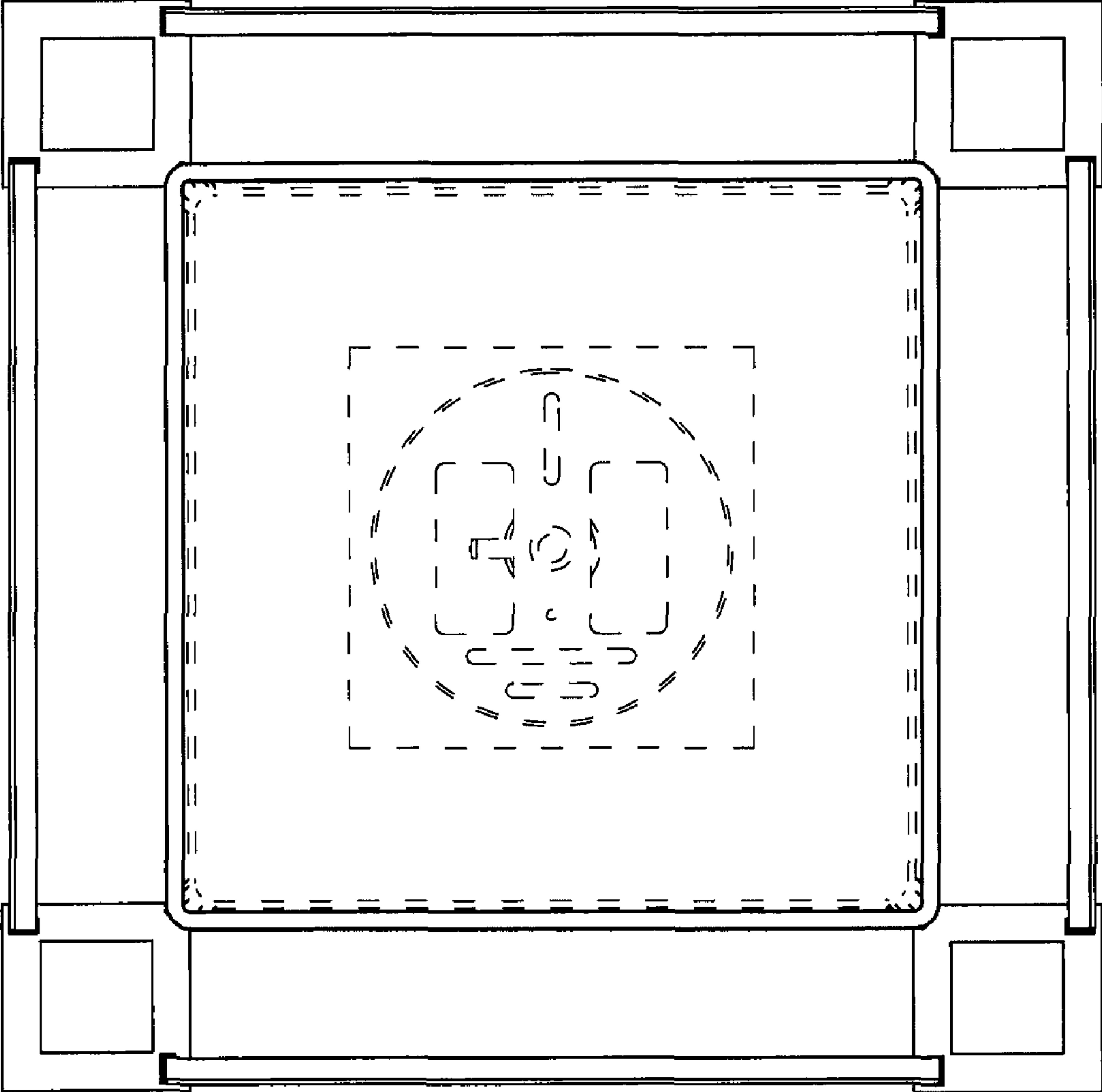


FIG.4