



US00D641909S

(12) **United States Design Patent**
Johnson

(10) **Patent No.:** **US D641,909 S**
(45) **Date of Patent:** **** Jul. 19, 2011**

(54) **FIRE RATED DOWNLIGHT HOUSING**

(75) Inventor: **Andrew Joseph Johnson**, Gerrards Cross (GB)

(73) Assignee: **Aurora Lighting, Inc.**, Clearwater, FL (US)

(**) Term: **14 Years**

(21) Appl. No.: **29/352,831**

(22) Filed: **Dec. 28, 2009**

Related U.S. Application Data

(62) Division of application No. 29/330,675, filed on Jan. 12, 2009, now Pat. No. Des. 624,688.

(51) **LOC (9) Cl.** **26-05**

(52) **U.S. Cl.** **D26/74**

(58) **Field of Classification Search** D26/72,
D26/74-76, 78, 118, 120; 362/147-148,
362/365-366, 373

See application file for complete search history.

(56) **References Cited**

U.S. PATENT DOCUMENTS

979,927 A 12/1910 Brown et al. 439/546
D157,035 S * 1/1950 Feuerman D26/72
D183,896 S * 11/1958 Moser D26/74

(Continued)

Primary Examiner — Susan E Krakower

(74) *Attorney, Agent, or Firm* — Hayes Soloway P.C.

(57) **CLAIM**

The ornamental design for a fire rated downlight housing, as shown and described.

DESCRIPTION

FIG. 1 is a top plan view of a fire rated downlight housing, showing my new design;

FIG. 2 is a bottom plan view thereof;

FIG. 3 is a perspective view from the top;

FIG. 4 is a perspective view from the bottom;

FIG. 5 is an end view thereof from one end;

FIG. 6 is a side elevational view thereof;

FIG. 7 is a top plan view of a first alternative embodiment of a fire rated downlight housing, showing my new design;

FIG. 8 is a bottom plan view thereof;

FIG. 9 is a perspective view from the top;

FIG. 10 is a perspective view from the bottom;

FIG. 11 is an end view thereof from one end;

FIG. 12 is a side elevational view thereof;

FIG. 13 is a top plan view of a second alternative embodiment of a fire rated downlight housing, showing my new design;

FIG. 14 is a bottom plan view thereof;

FIG. 15 is a perspective view from the top;

FIG. 16 is a perspective view from the bottom;

FIG. 17 is an end view thereof from one end;

FIG. 18 is a side elevational view thereof;

FIG. 19 is a top plan view of a third alternative embodiment of a fire rated downlight housing, showing my new design;

FIG. 20 is a bottom plan view thereof;

FIG. 21 is a perspective view from the top;

FIG. 22 is a perspective view from the bottom;

FIG. 23 is an end view thereof from one end;

FIG. 24 is a side elevational view thereof;

FIG. 25 is a top plan view of a fourth alternative embodiment of a fire rated downlight housing, showing my new design;

FIG. 26 is a bottom plan view thereof;

FIG. 27 is a perspective view from the top;

FIG. 28 is a perspective view from the bottom;

FIG. 29 is an end view thereof from one end;

FIG. 30 is a side elevational view thereof;

FIG. 31 is a top plan view of a fifth alternative embodiment of a fire rated downlight housing, showing my new design;

FIG. 32 is a bottom plan view thereof;

FIG. 33 is a perspective view from the top;

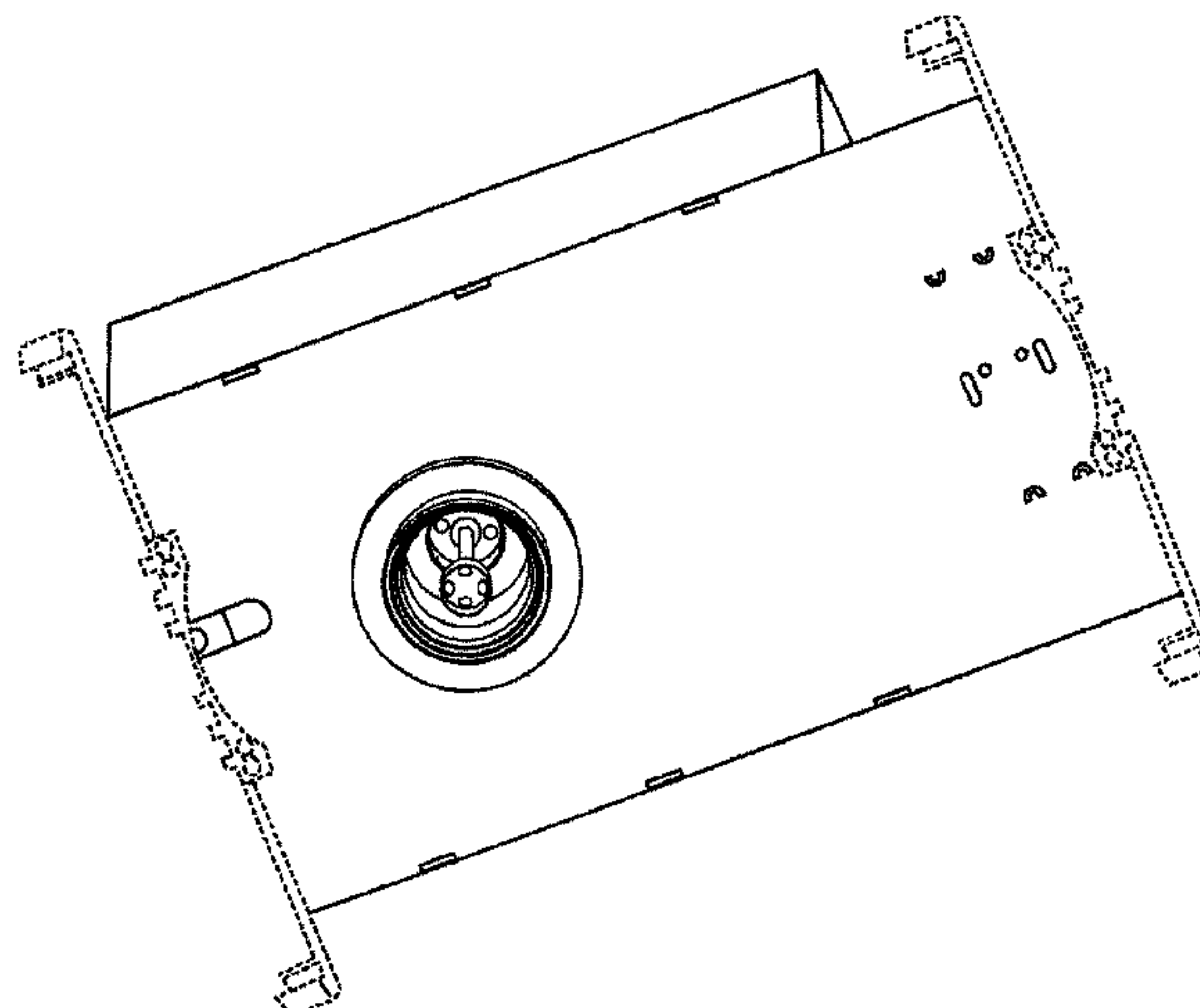
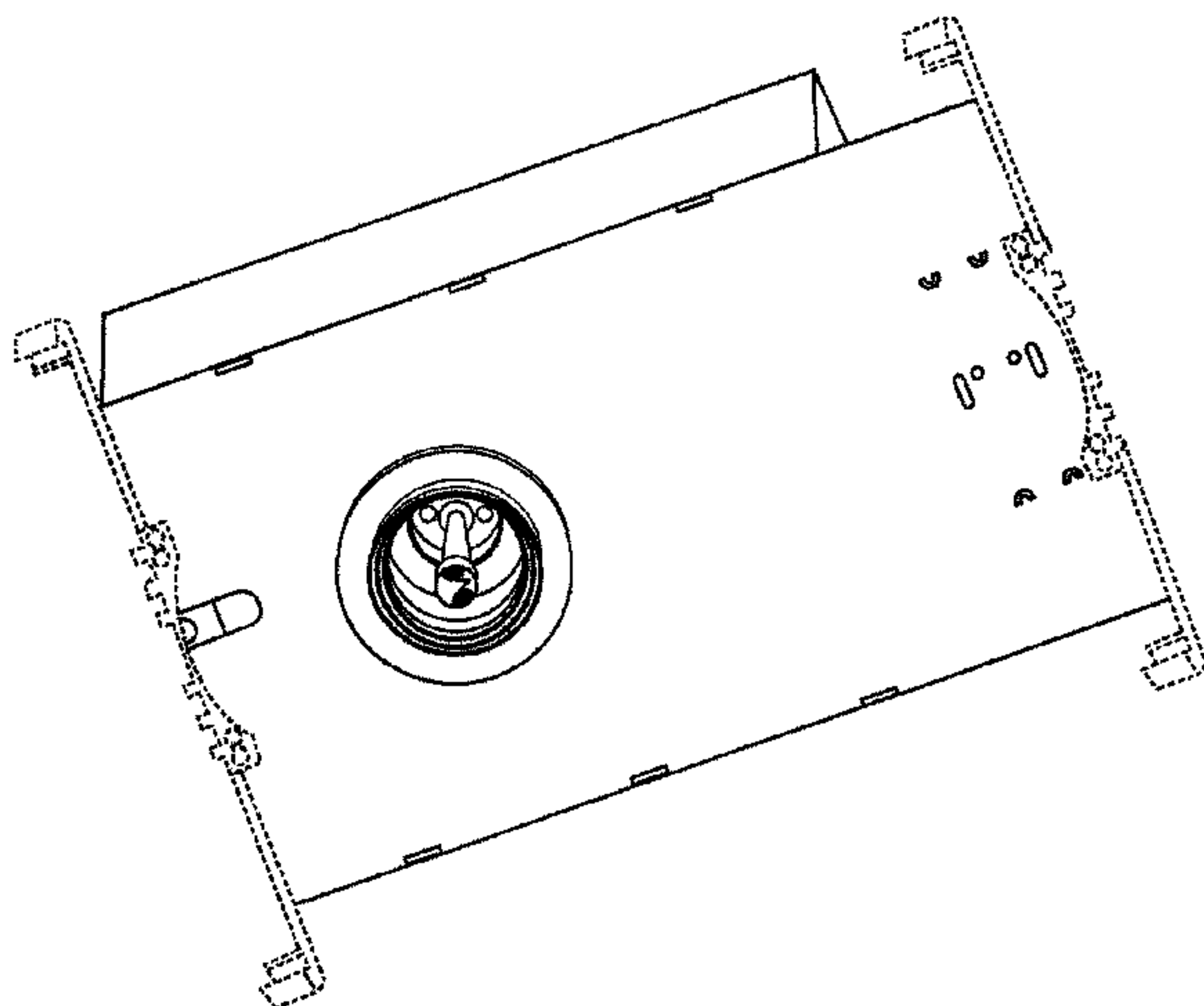
FIG. 34 is a perspective view from the bottom;

FIG. 35 is an end view thereof from one end; and,

FIG. 36 is a side elevational view thereof.

The broken lines illustrate environmental components of the fire rated down light housing which form no part of the claimed design.

1 Claim, 36 Drawing Sheets



US D641,909 S

Page 2

U.S. PATENT DOCUMENTS

| | | | | | | | | | | | |
|-----------|------|---------|------------------|-------|------------|--------------|------|---------|----------------|-------|---------|
| D206,284 | S | 11/1966 | Ota | | D26/72 | 6,632,006 | B1 | 10/2003 | Rippel et al. | | 362/366 |
| 3,300,638 | A * | 1/1967 | Sloan | | 362/366 | D487,817 | S * | 3/2004 | Benghozi | | D26/118 |
| D209,536 | S * | 12/1967 | McCain | | D26/74 | 6,838,618 | B2 | 1/2005 | Newbold et al. | | 174/50 |
| 3,439,157 | A | 4/1969 | Myles | | 362/551 | 6,872,885 | B1 | 3/2005 | Newbold, Jr. | | 174/58 |
| 5,426,572 | A | 6/1995 | Weinstock et al. | | 362/133 | 7,193,152 | B2 | 3/2007 | Moselle | | 174/50 |
| D386,277 | S * | 11/1997 | Lecluze | | D26/74 | D543,307 | S * | 5/2007 | Bynum et al. | | D26/118 |
| 5,823,664 | A | 10/1998 | Demshki et al. | | 362/366 | D564,698 | S * | 3/2008 | Homann | | D26/118 |
| D437,074 | S * | 1/2001 | Johnson | | D26/74 | 7,455,432 | B2 | 11/2008 | Craw et al. | | 362/373 |
| 6,176,599 | B1 | 1/2001 | Farzen | | 362/365 | 7,572,038 | B2 | 8/2009 | Kinnune et al. | | 362/365 |
| 6,357,891 | B1 | 3/2002 | Newbold et al. | | 362/147 | D613,444 | S * | 4/2010 | Rashidi | | D26/74 |
| 6,402,348 | B1 * | 6/2002 | Ouellette et al. | | 362/296.01 | 2008/0112171 | A1 | 5/2008 | Patti et al. | | 362/365 |
| 6,452,336 | B1 | 9/2002 | Dandu | | 315/56 | 2008/0170404 | A1 | 7/2008 | Steer et al. | | 362/365 |
| 6,474,846 | B1 | 11/2002 | Kelmelis et al. | | 362/365 | 2009/0073702 | A1 * | 3/2009 | Craw et al. | | 362/373 |
| D474,298 | S * | 5/2003 | Lecluze | | D26/74 | 2009/0161370 | A1 * | 6/2009 | Johnson | | 362/373 |
| D476,108 | S * | 6/2003 | Lecluze | | D26/74 | | | | | | |

* cited by examiner

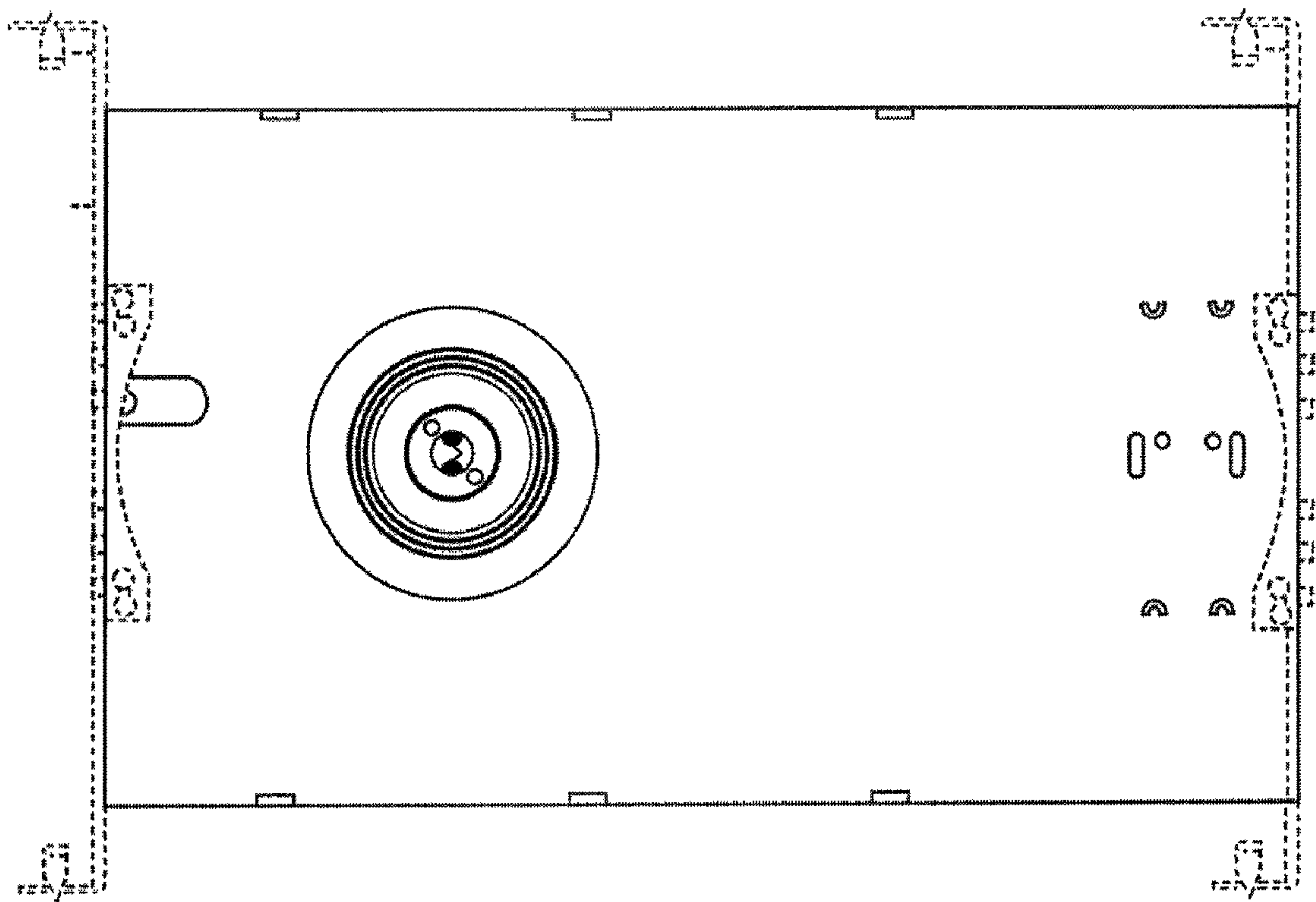


Fig. 1

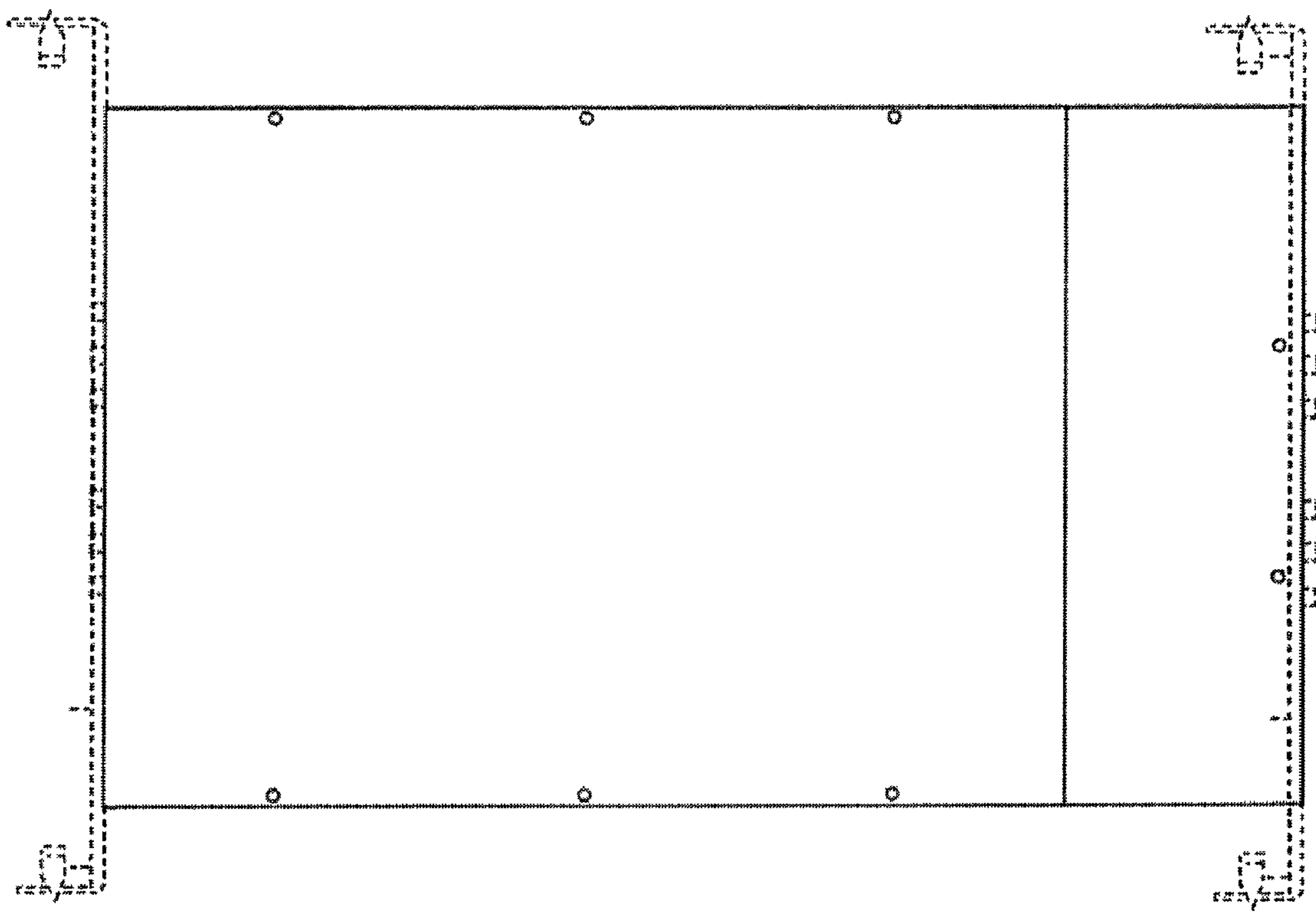


Fig. 2

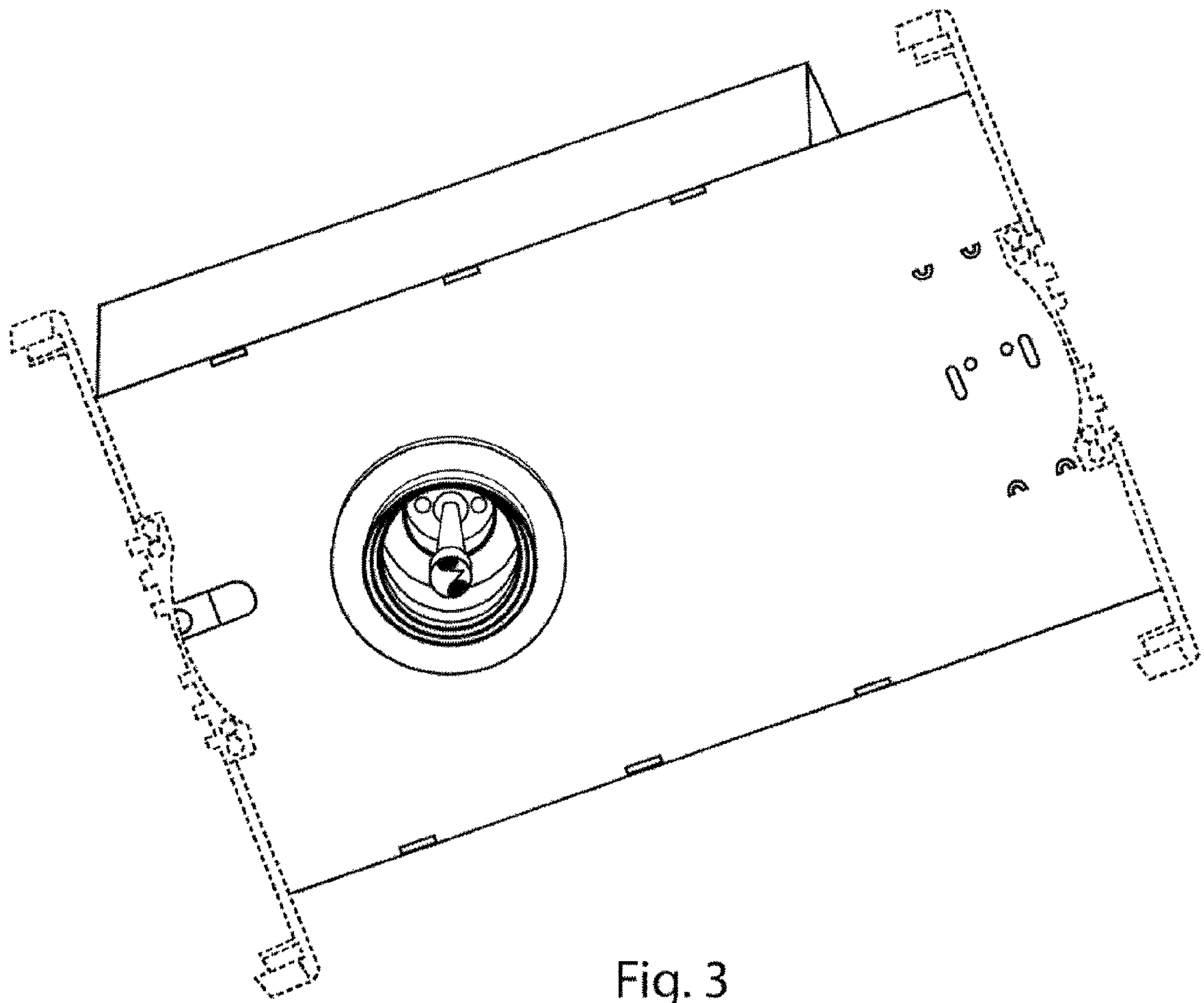


Fig. 3

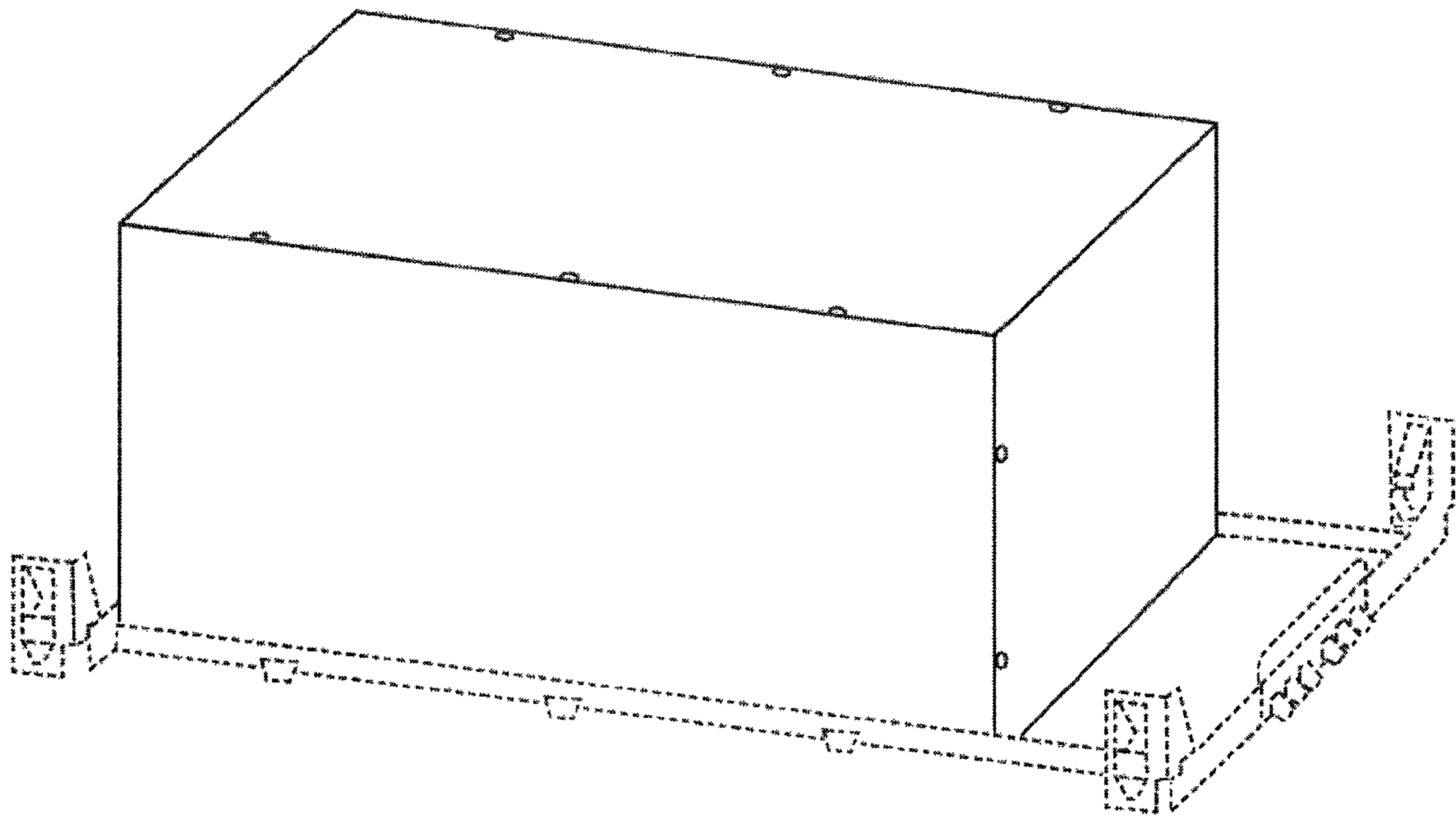


Fig. 4

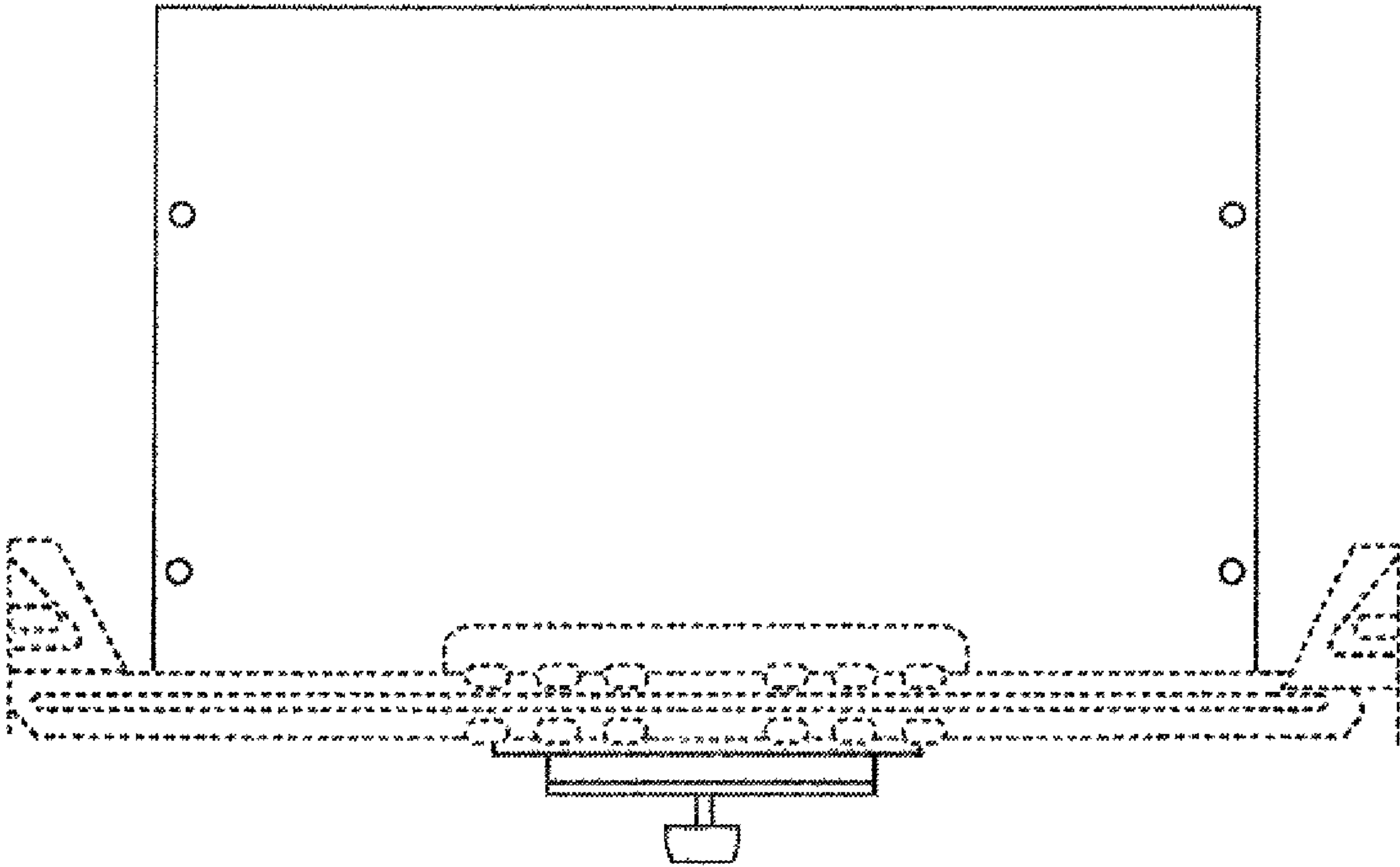


Fig. 5

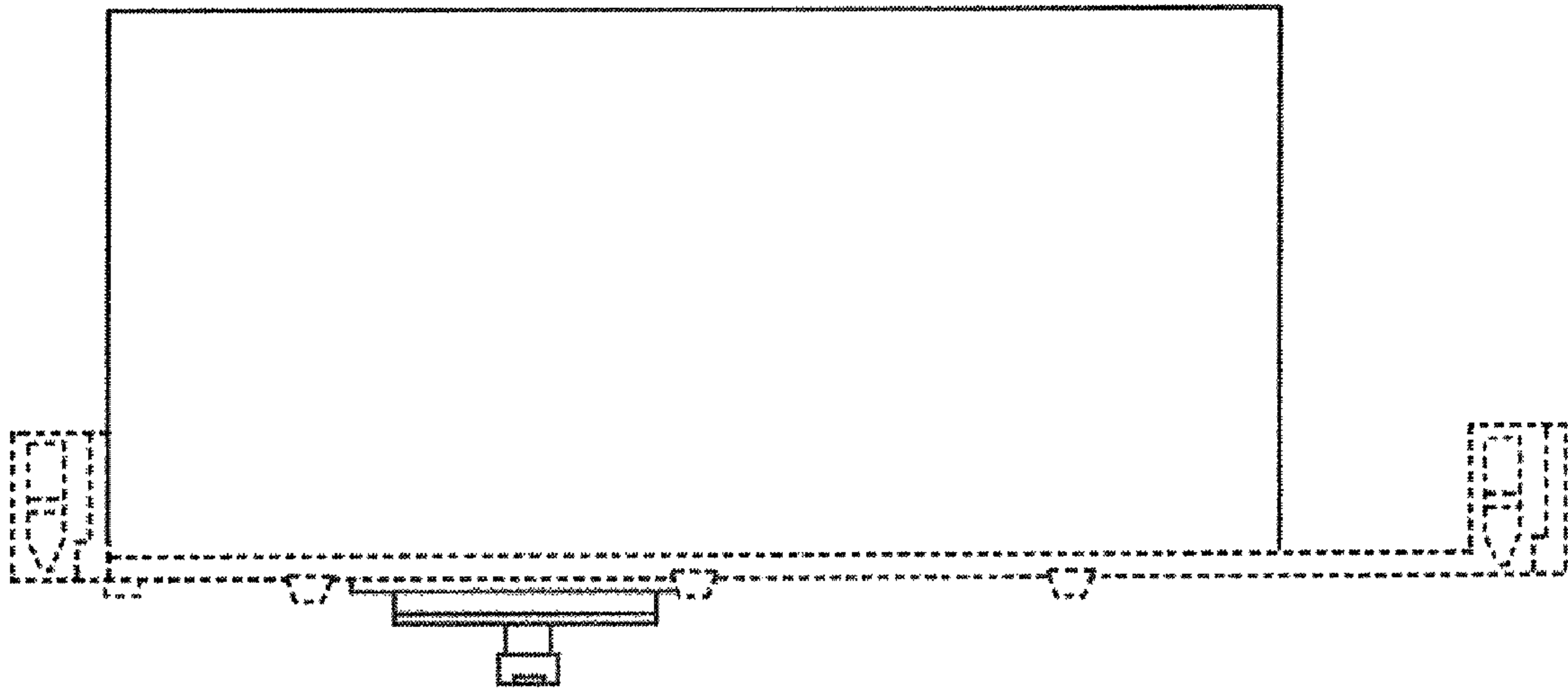


Fig. 6

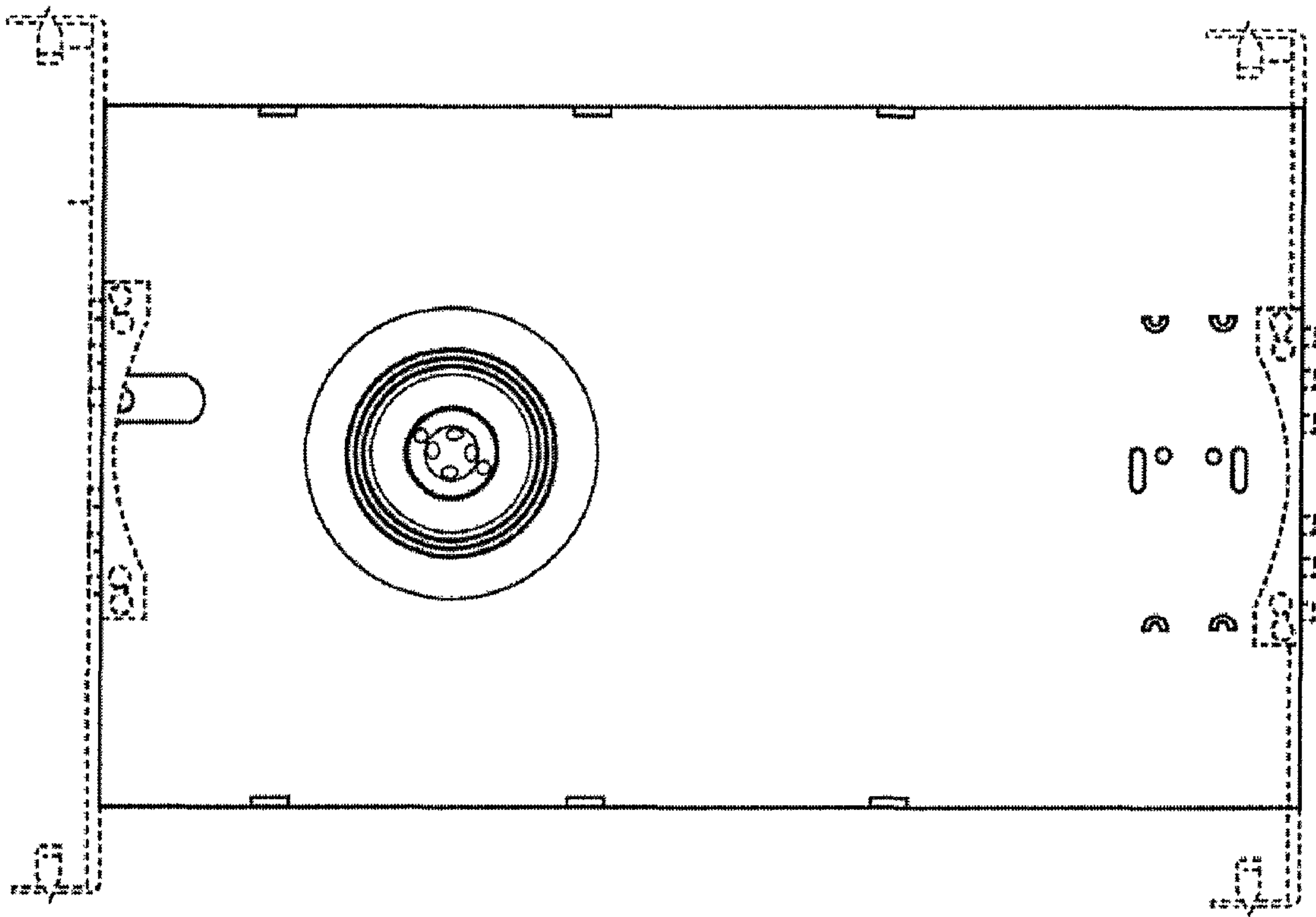


Fig. 7

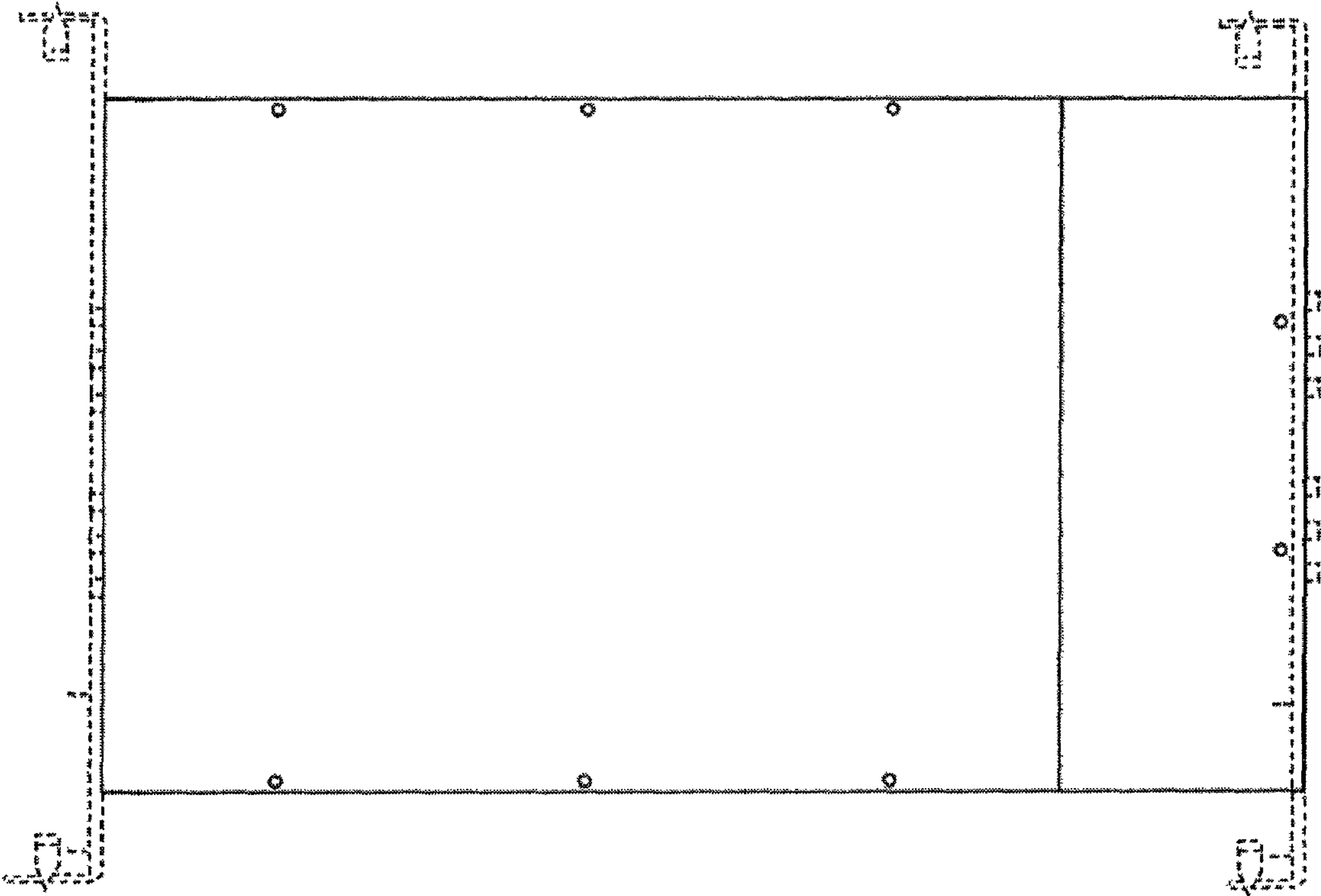


Fig. 8

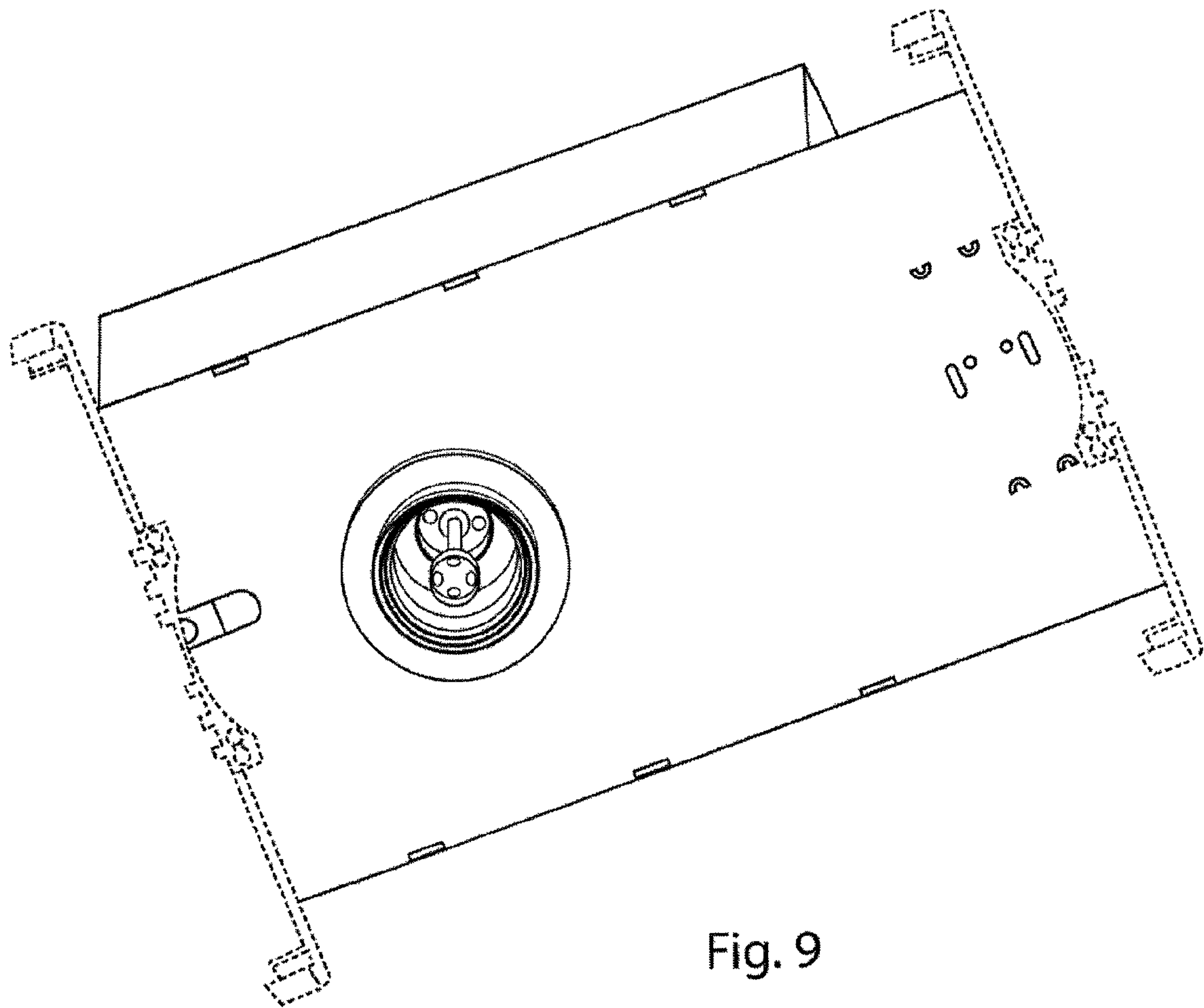


Fig. 9

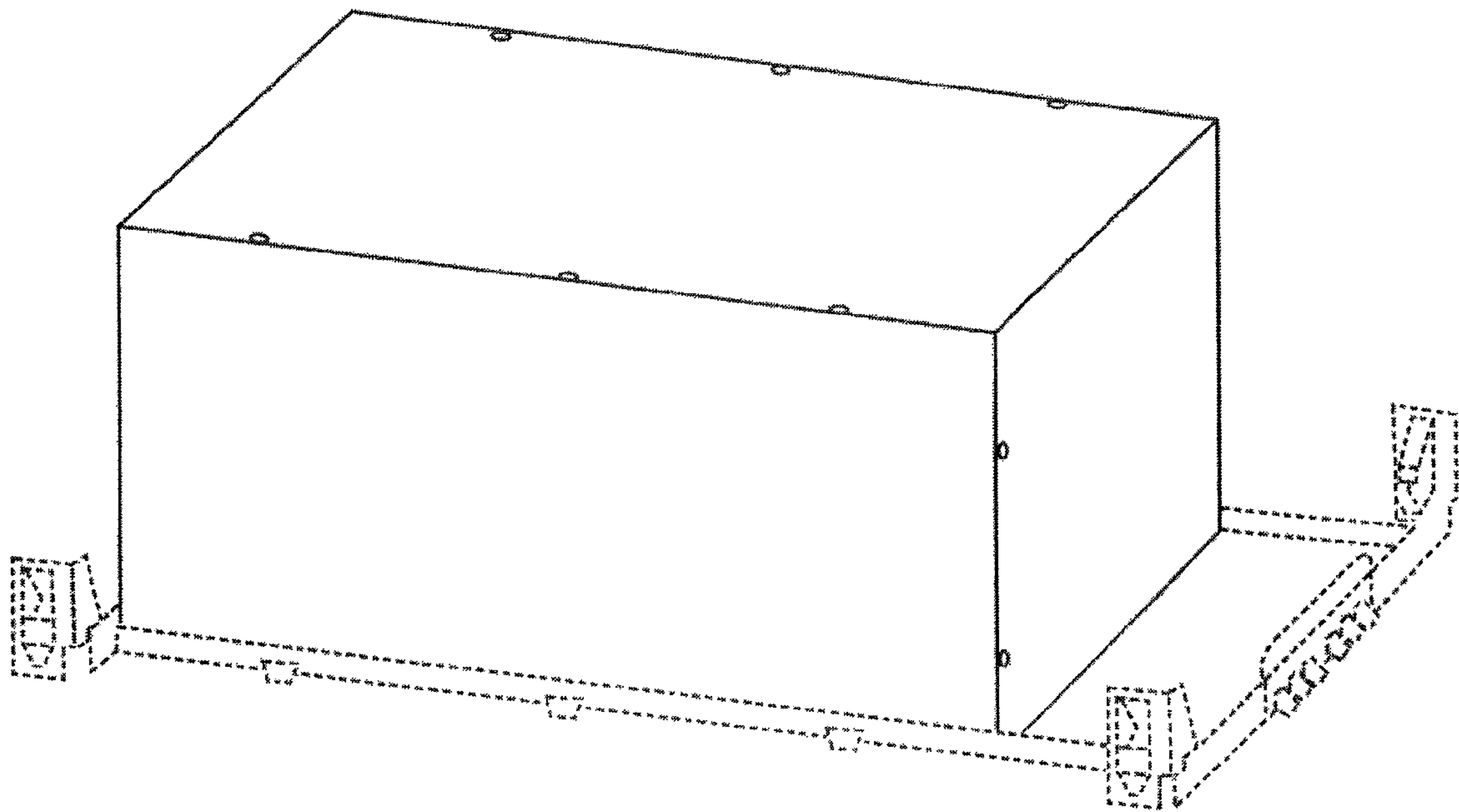


Fig. 10

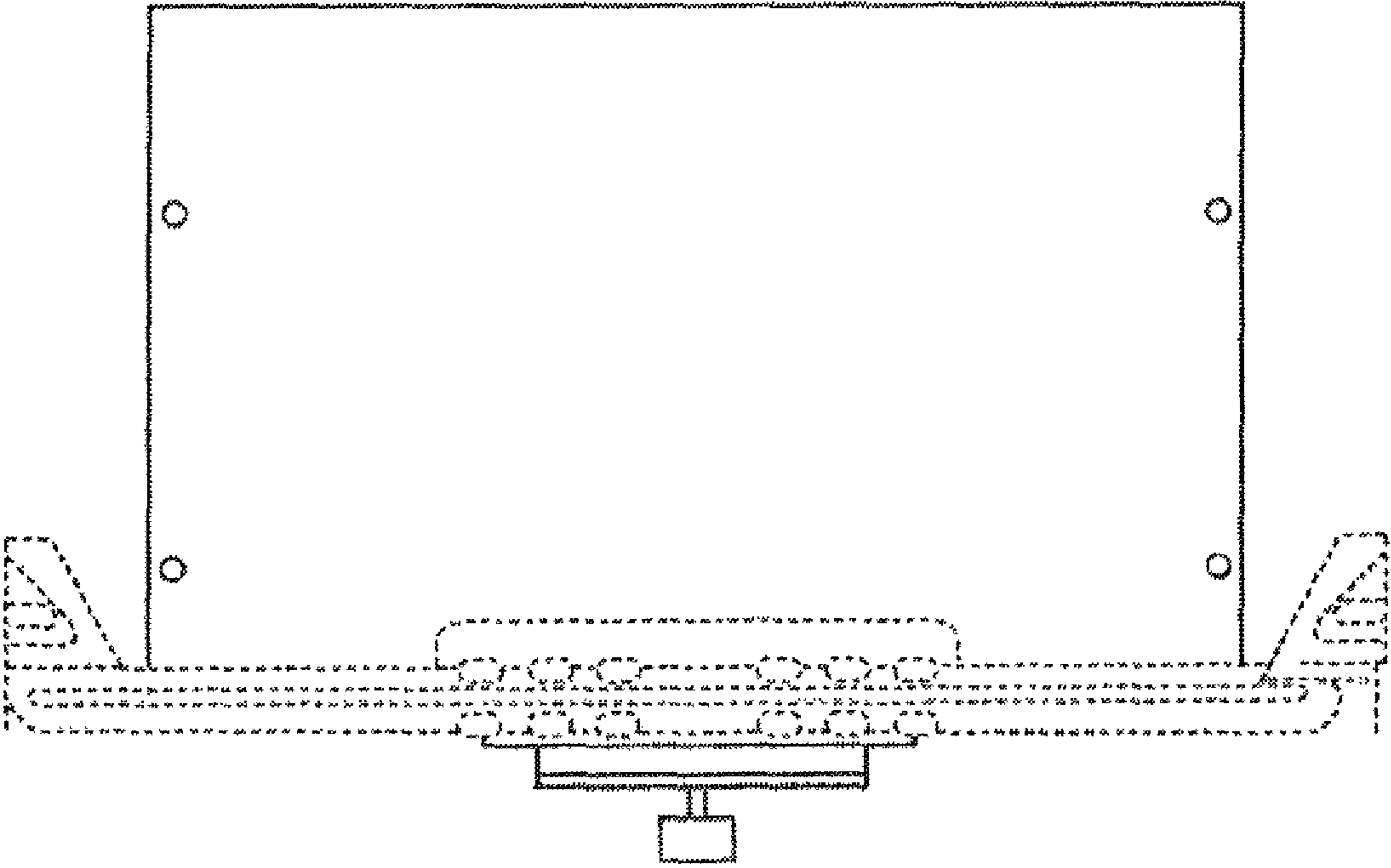


Fig. 11

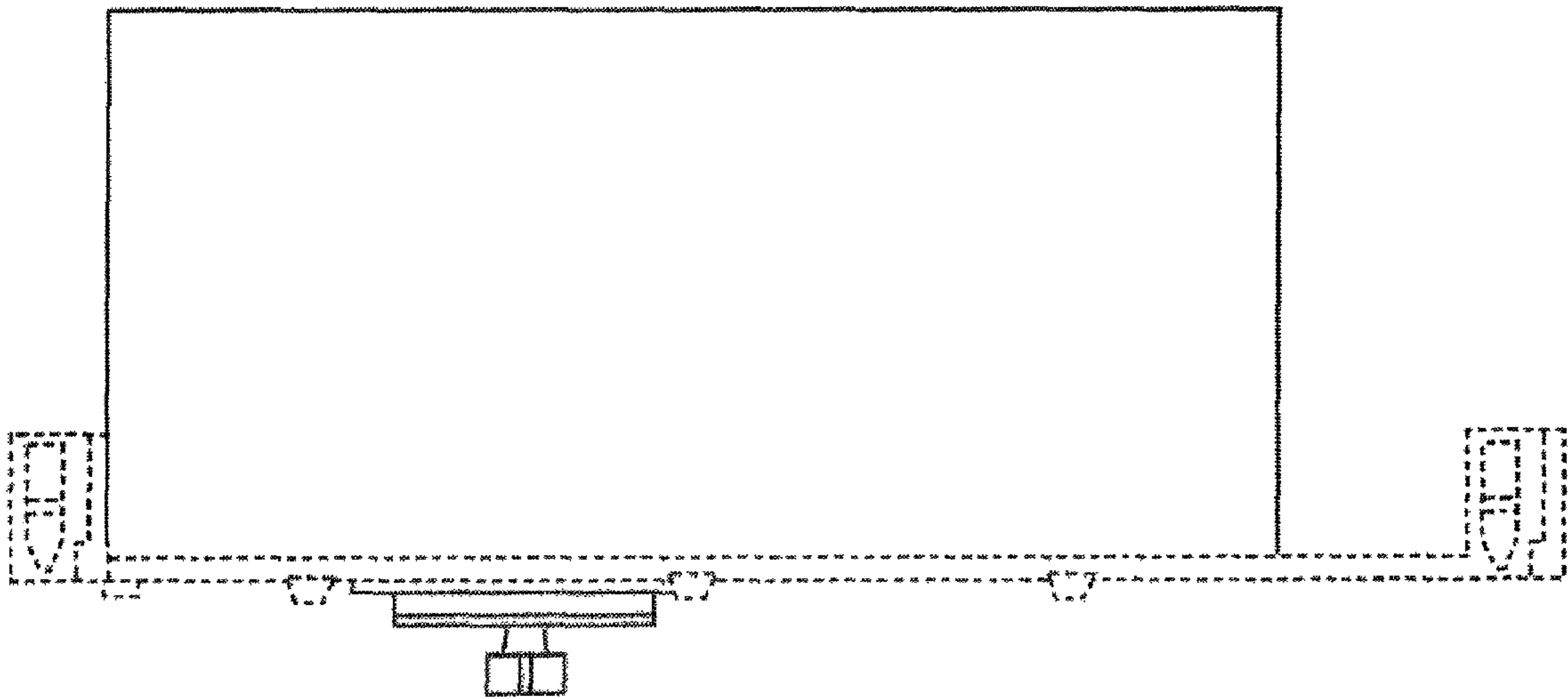


Fig. 12

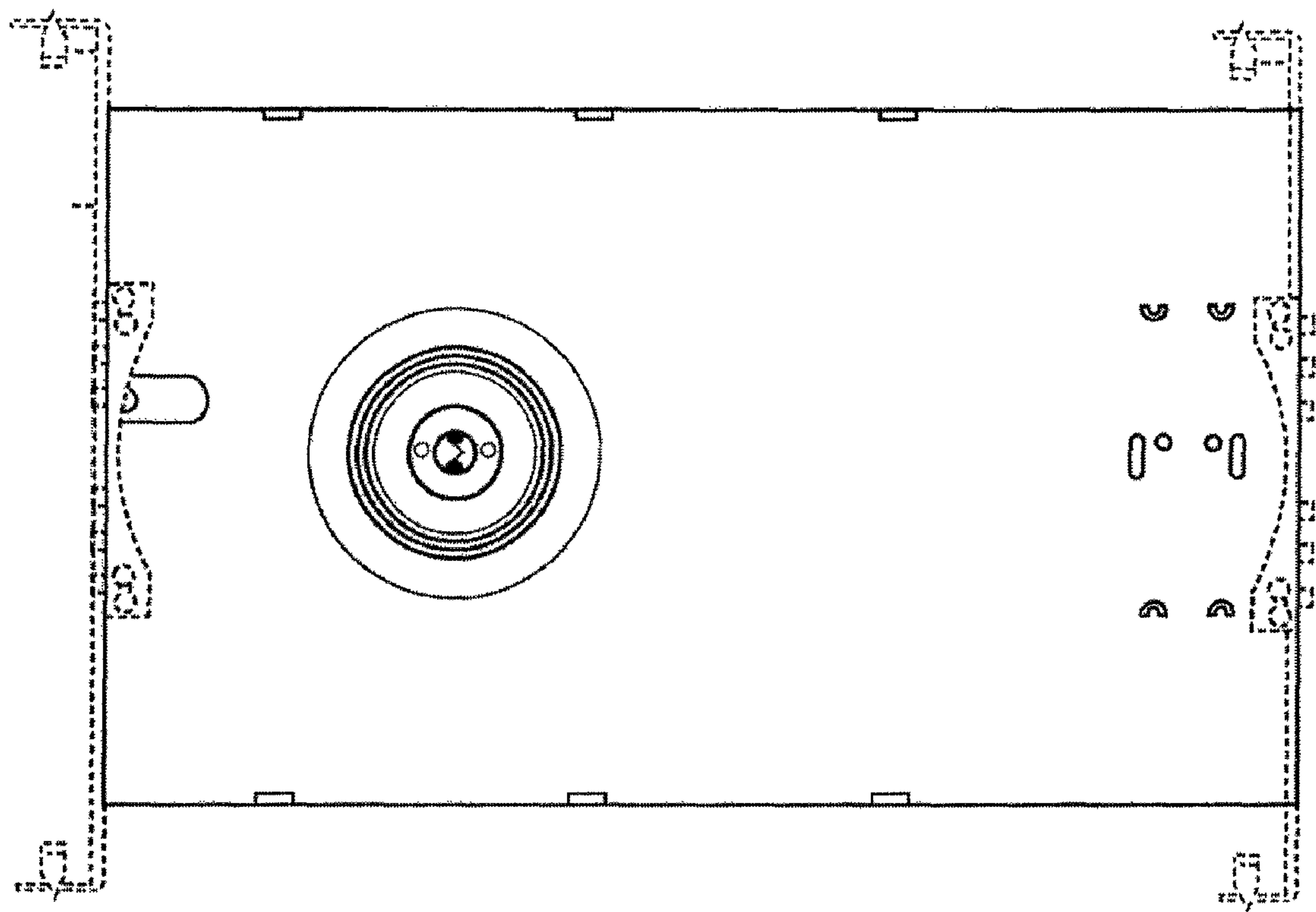


Fig. 13

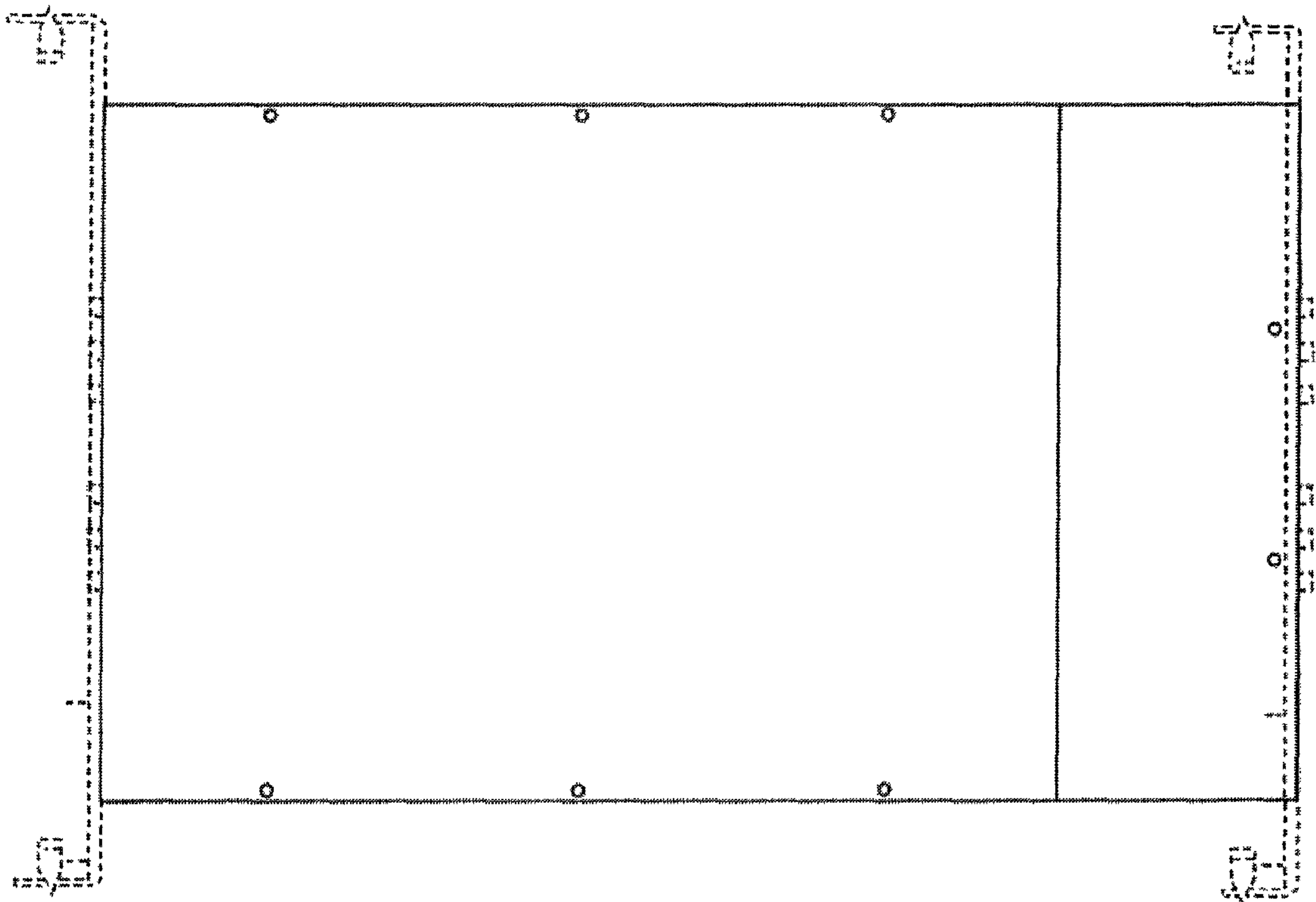


Fig. 14

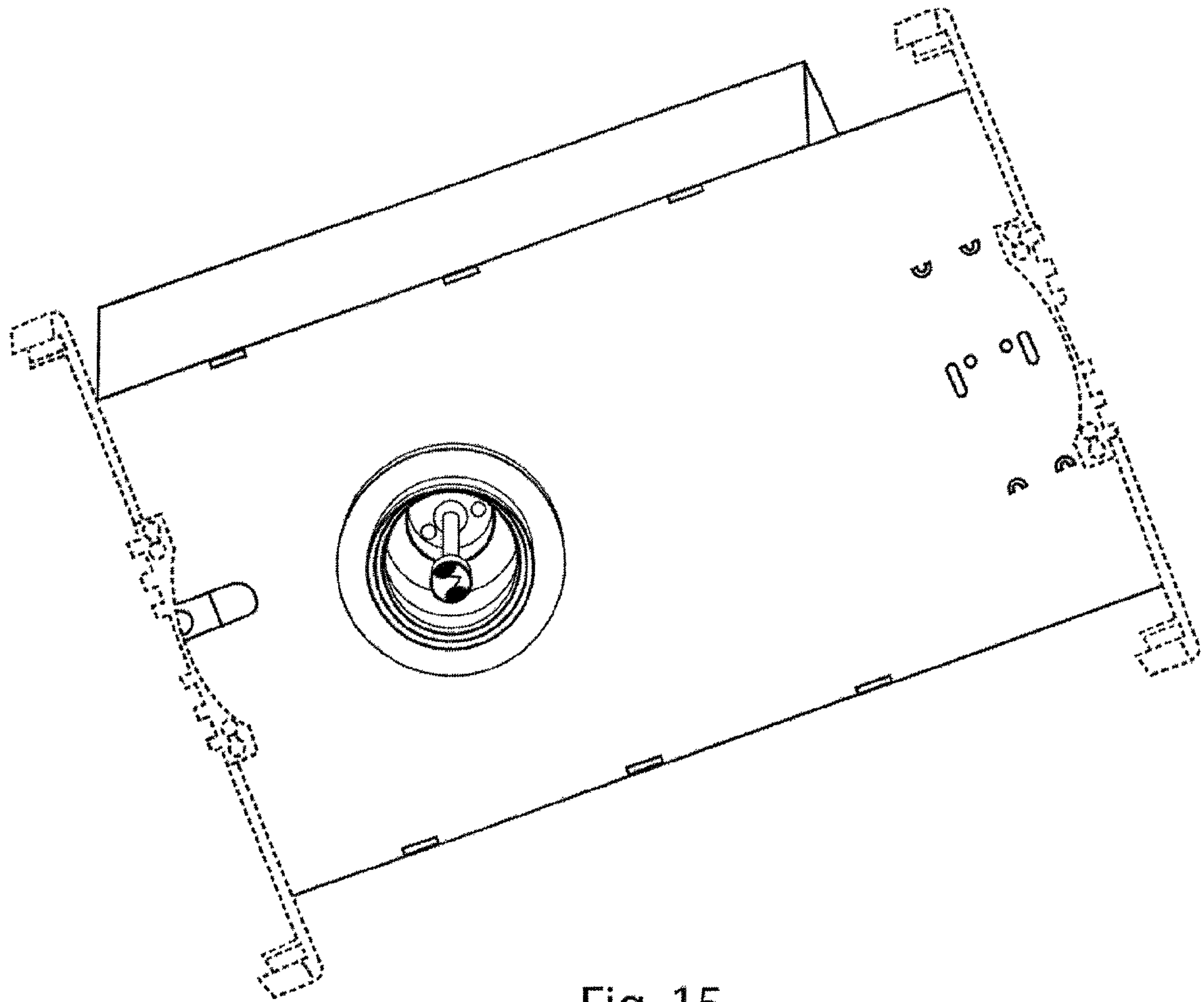


Fig. 15

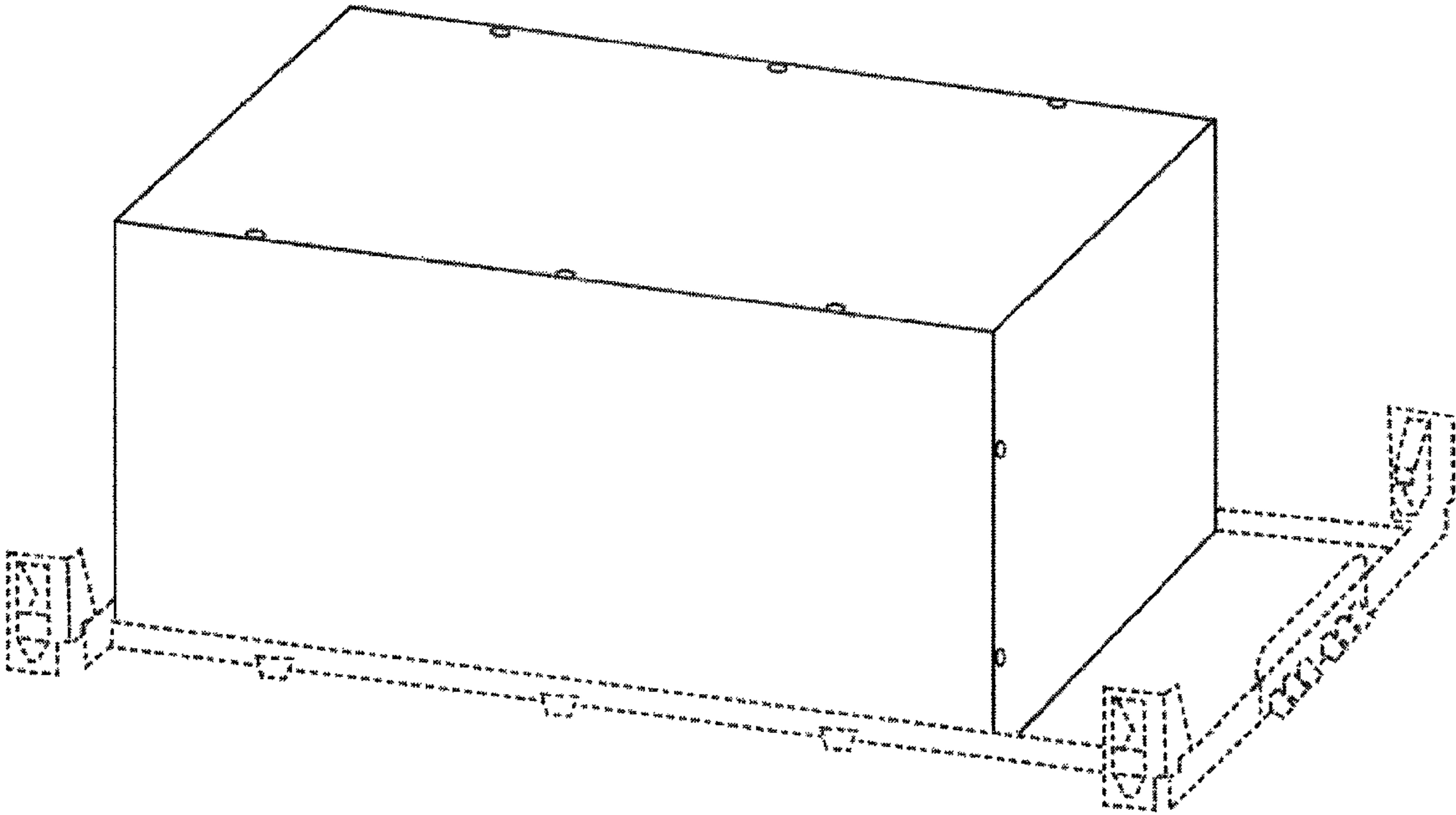


Fig. 16

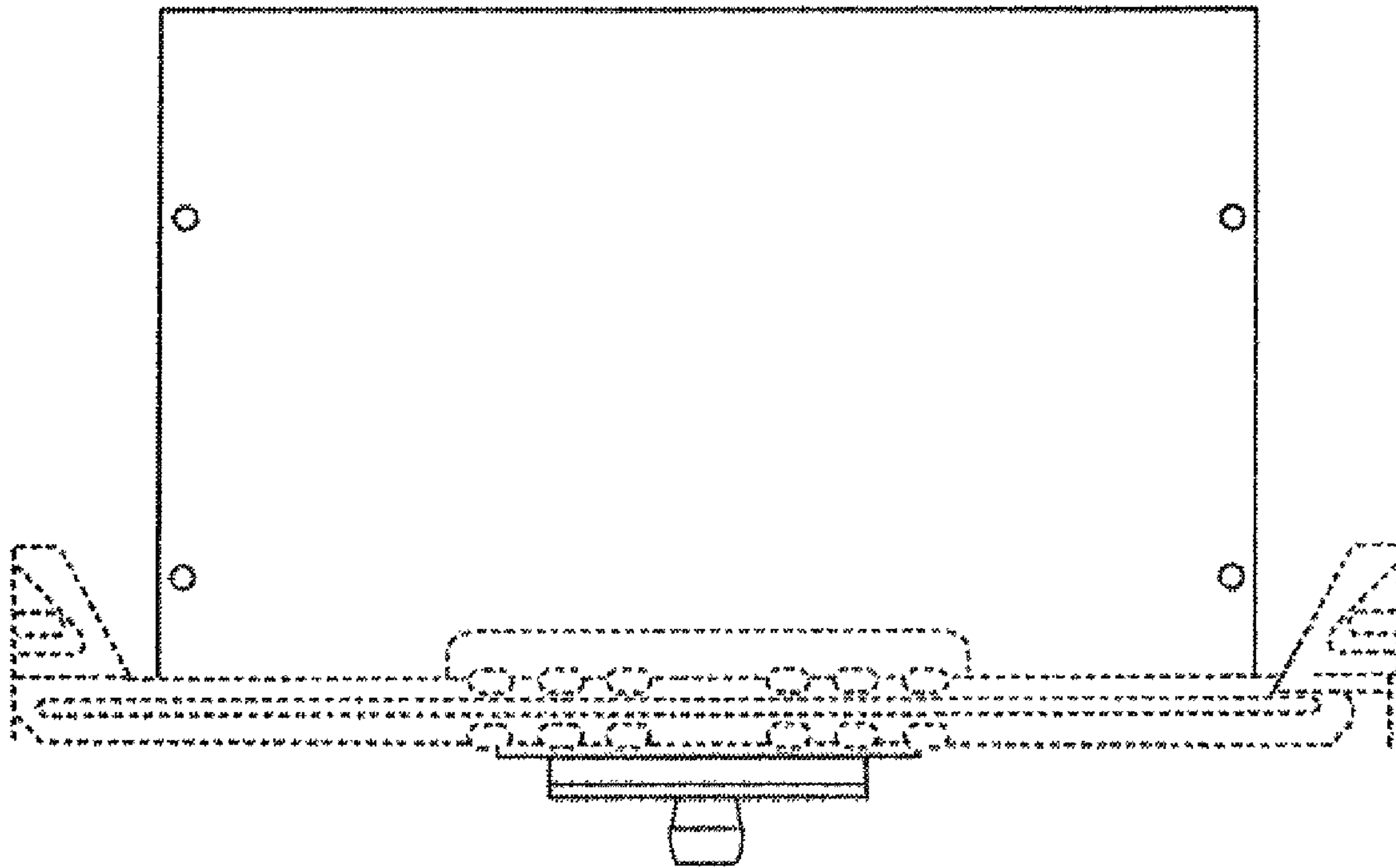


Fig. 17

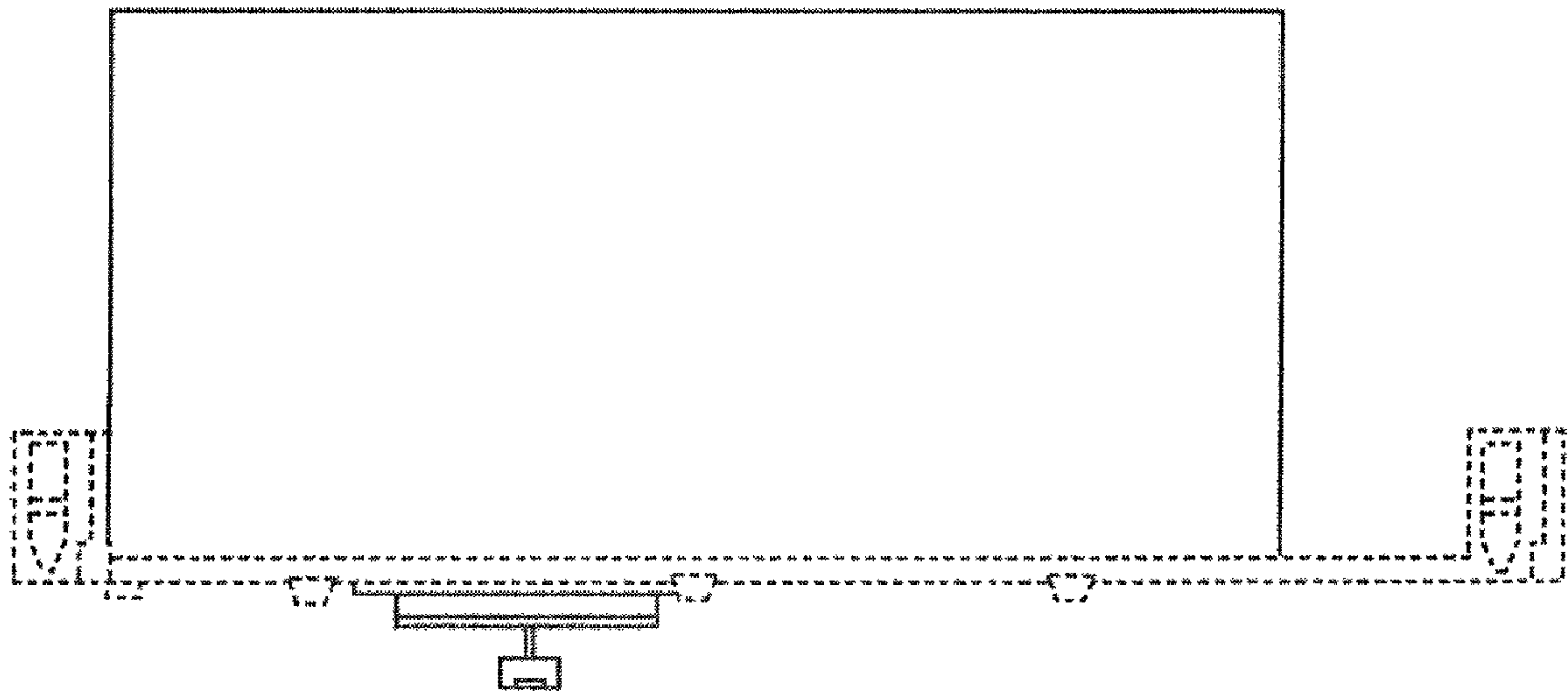


Fig. 18

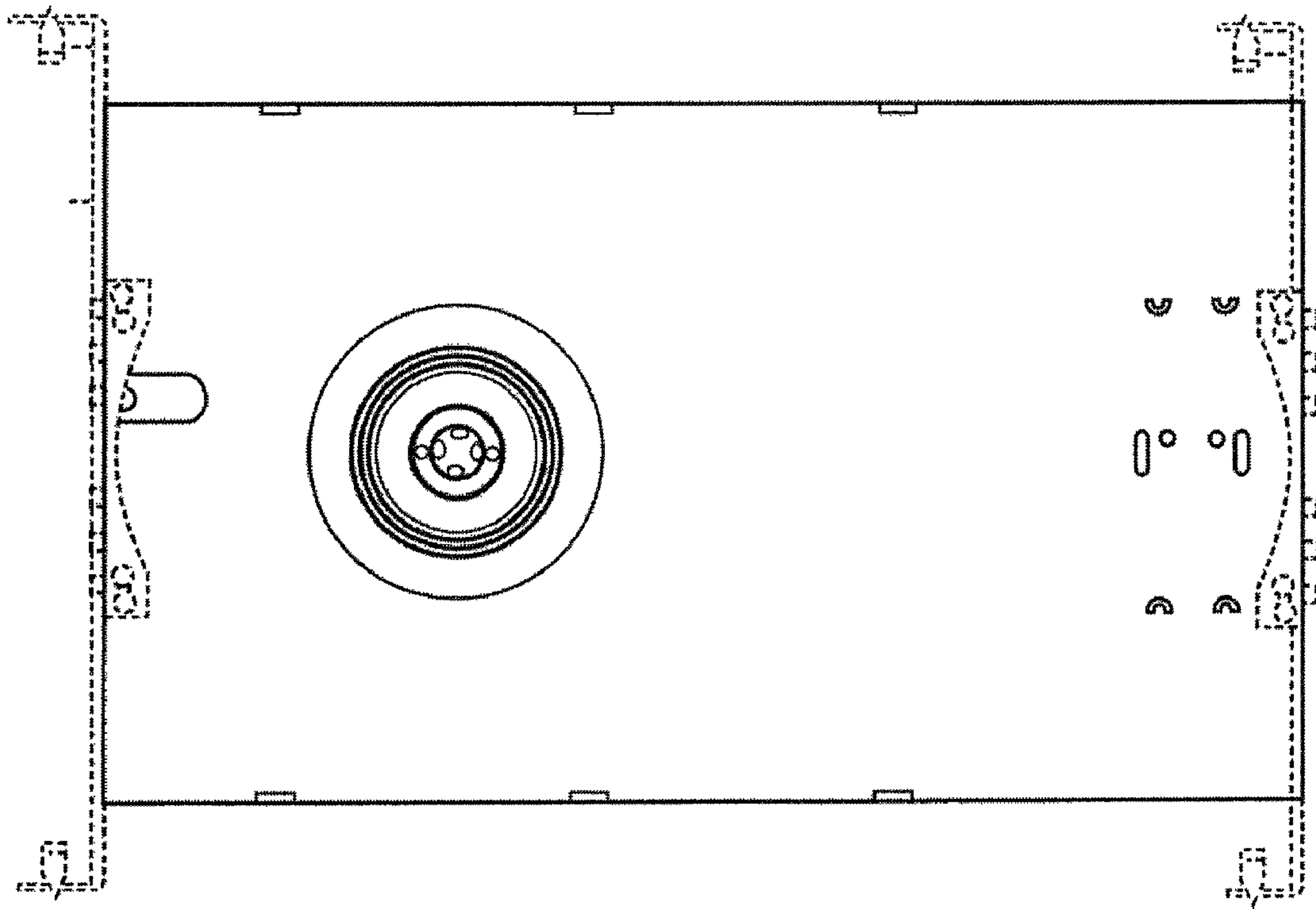


Fig. 19

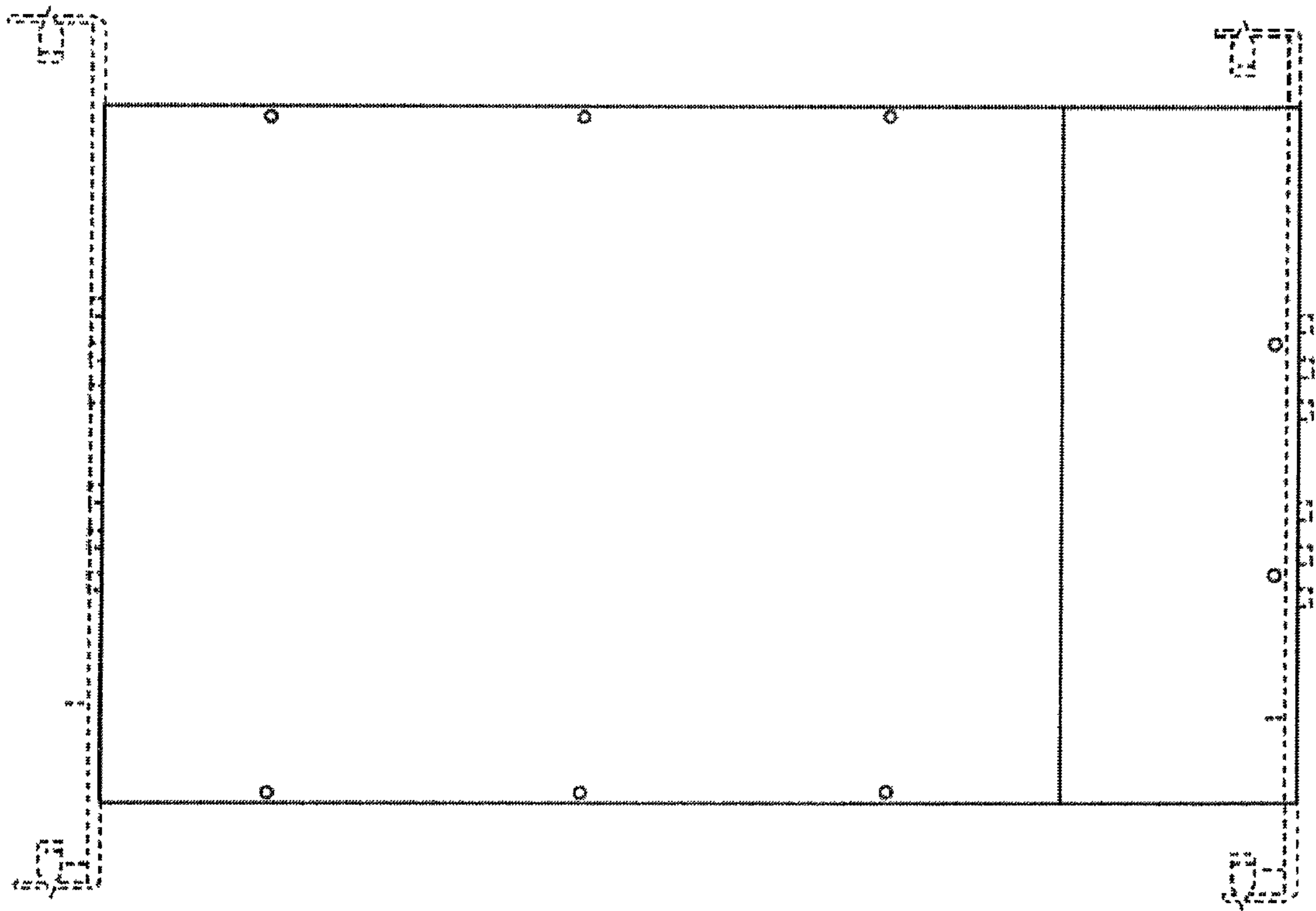


Fig. 20

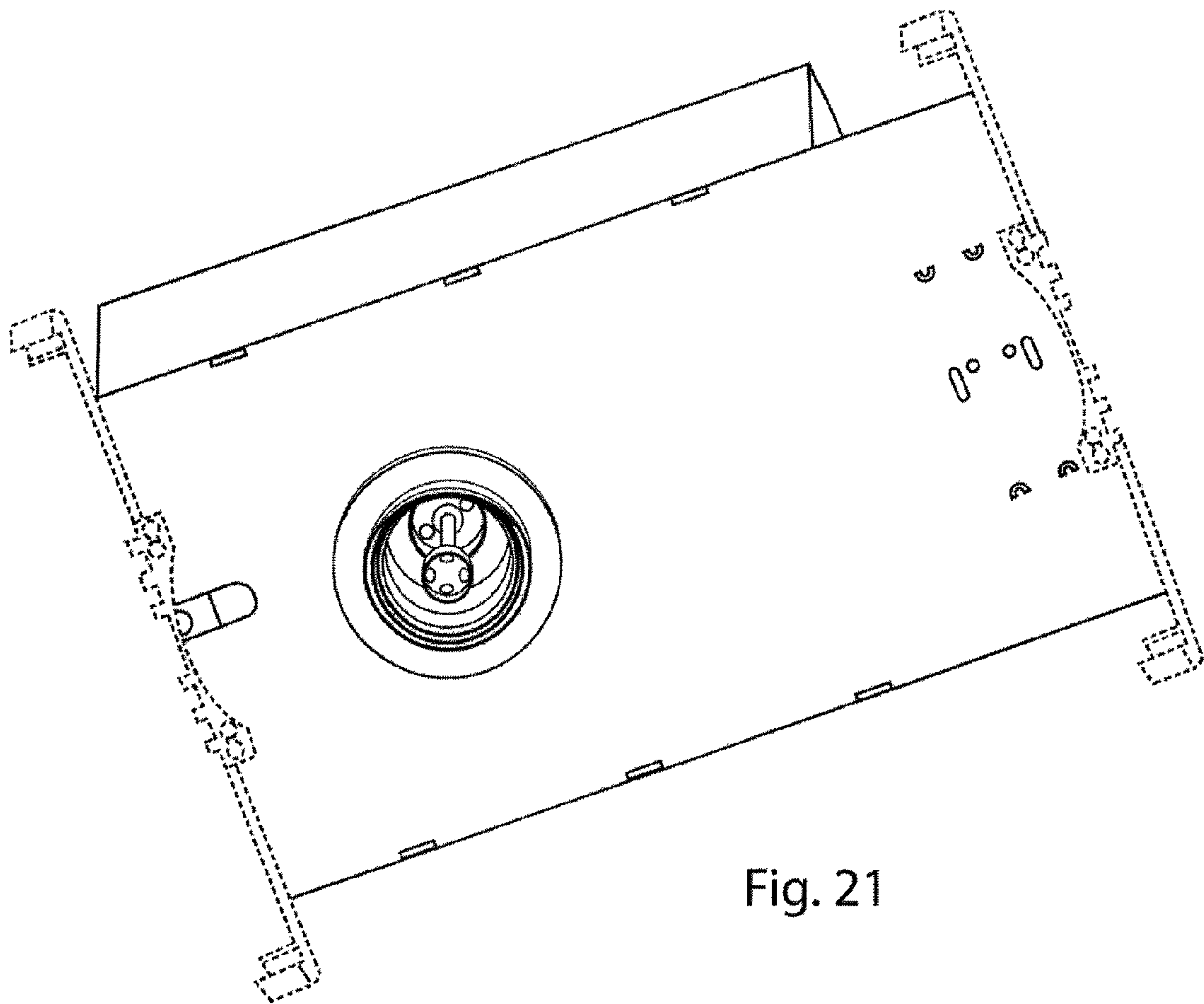


Fig. 21

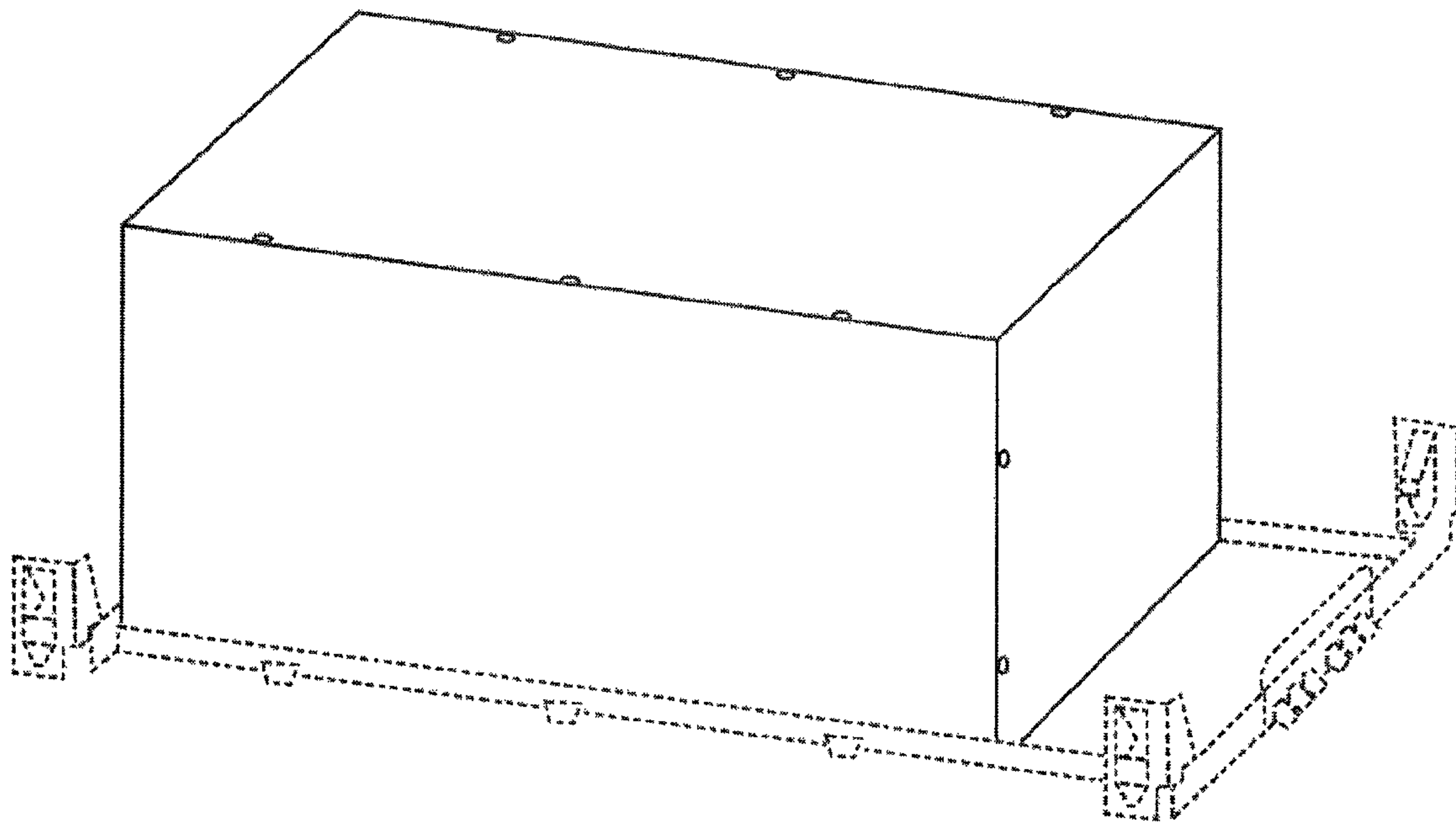


Fig. 22

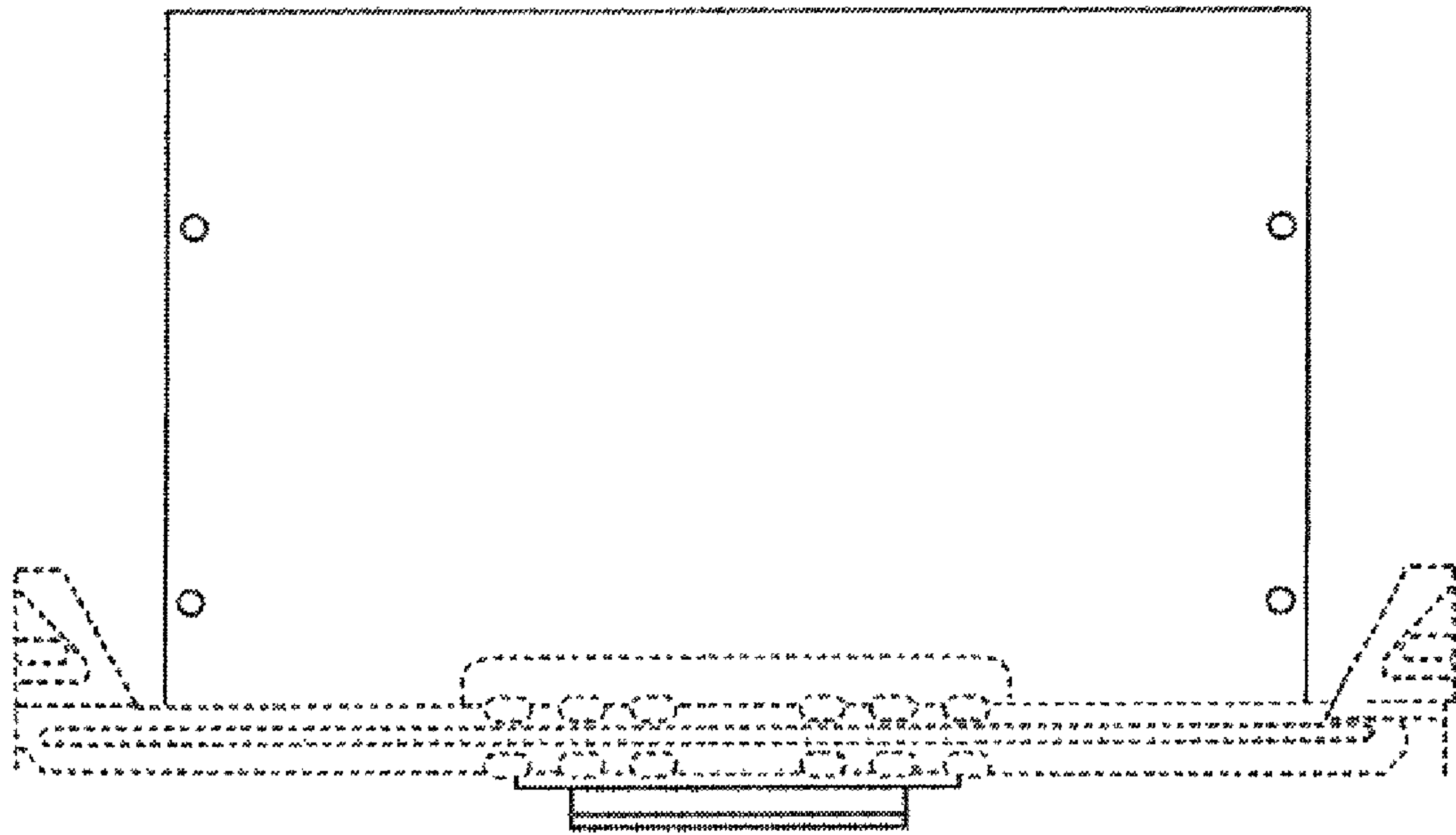


Fig. 23

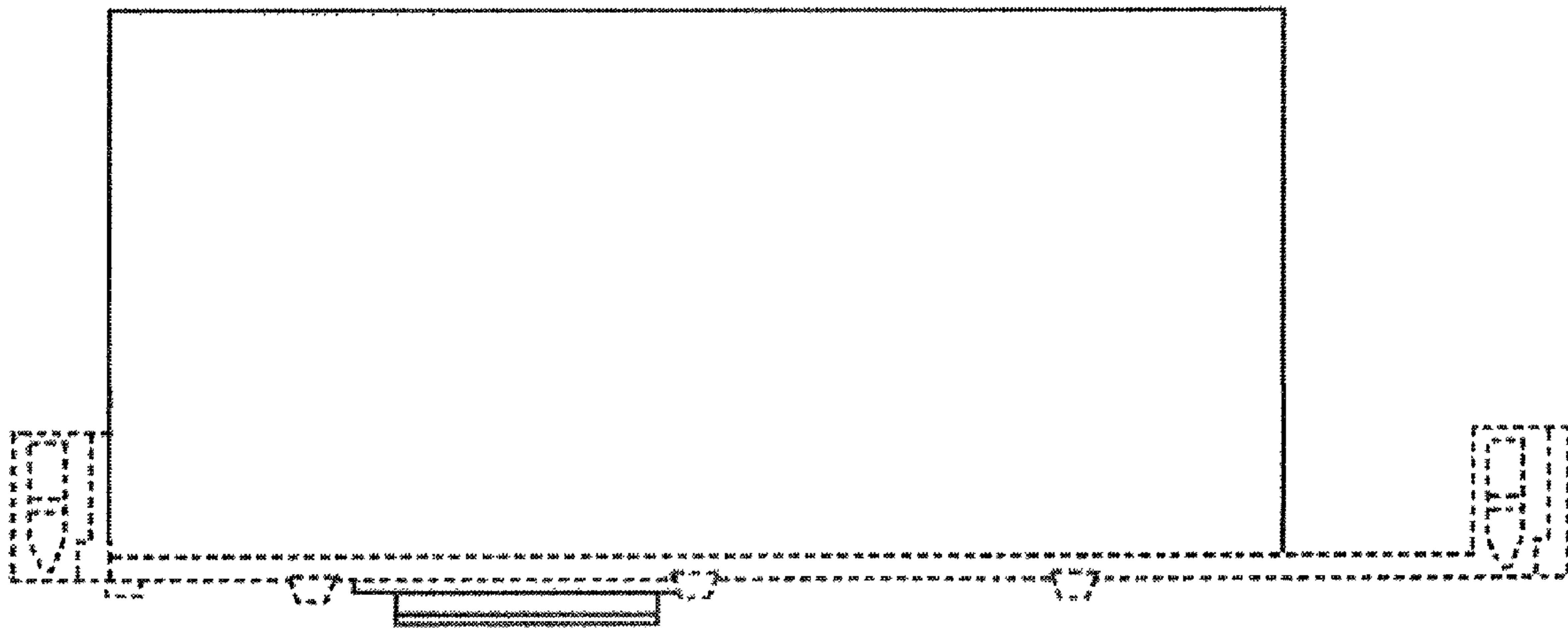


Fig. 24

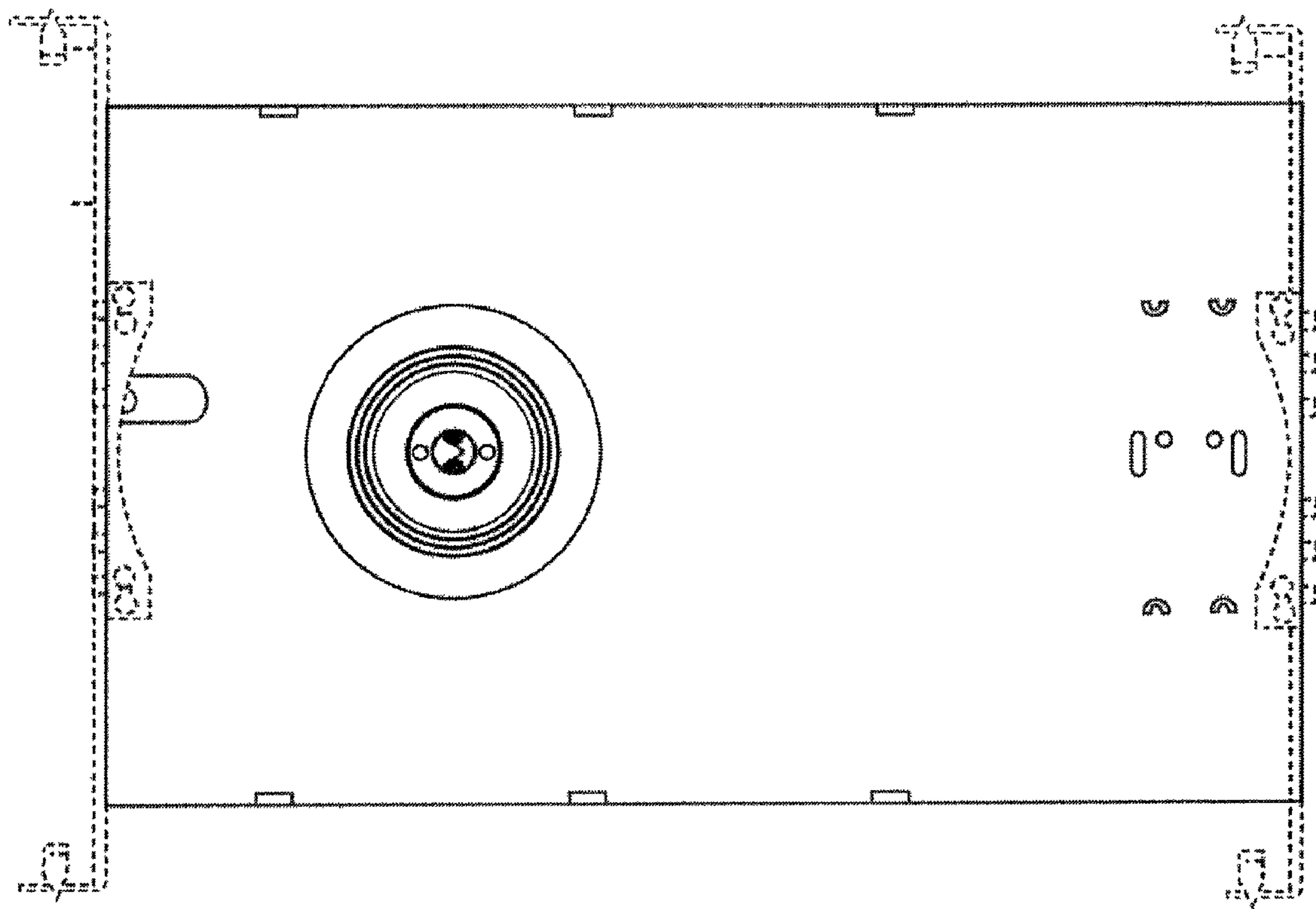


Fig. 25

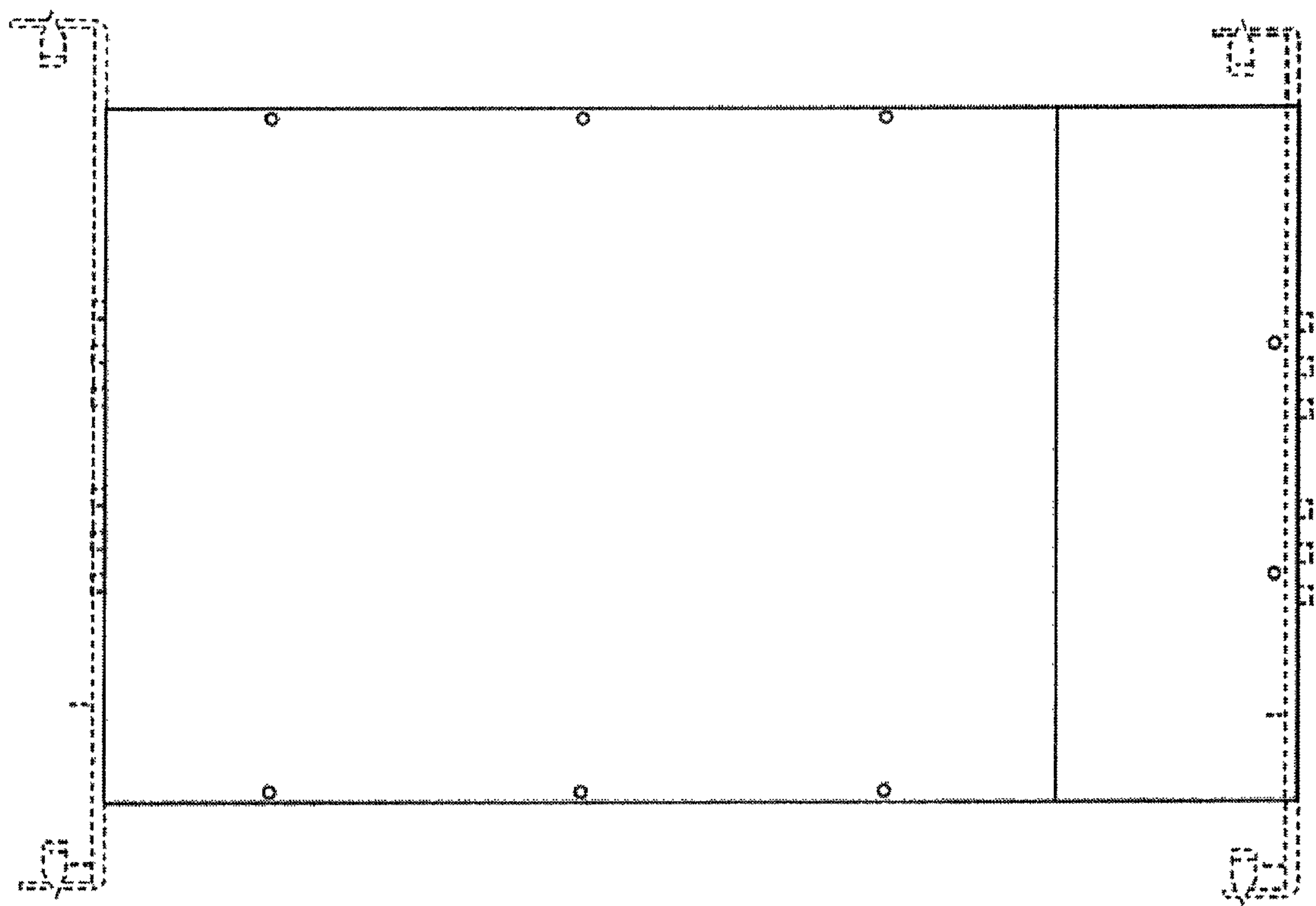


Fig. 26

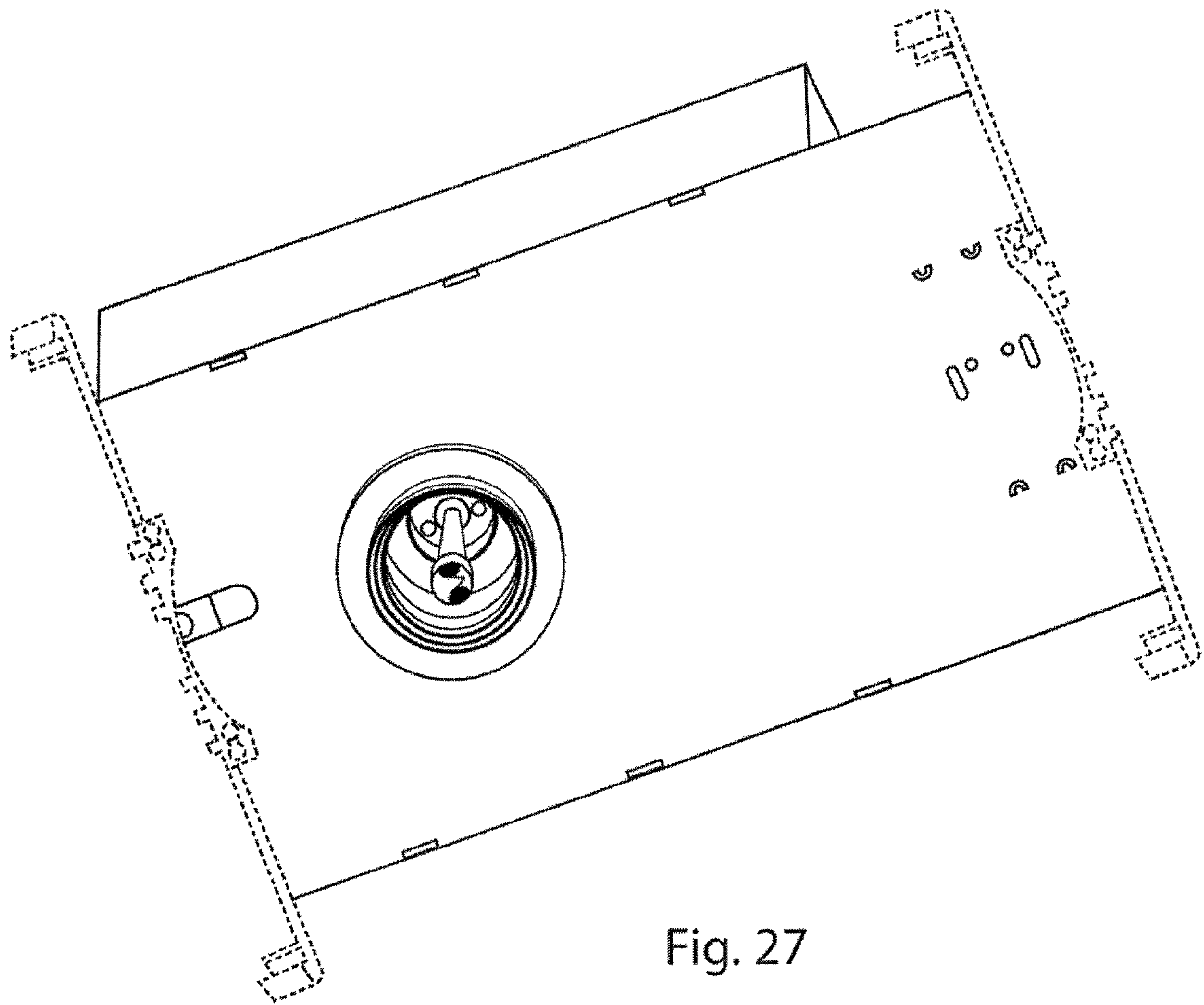


Fig. 27

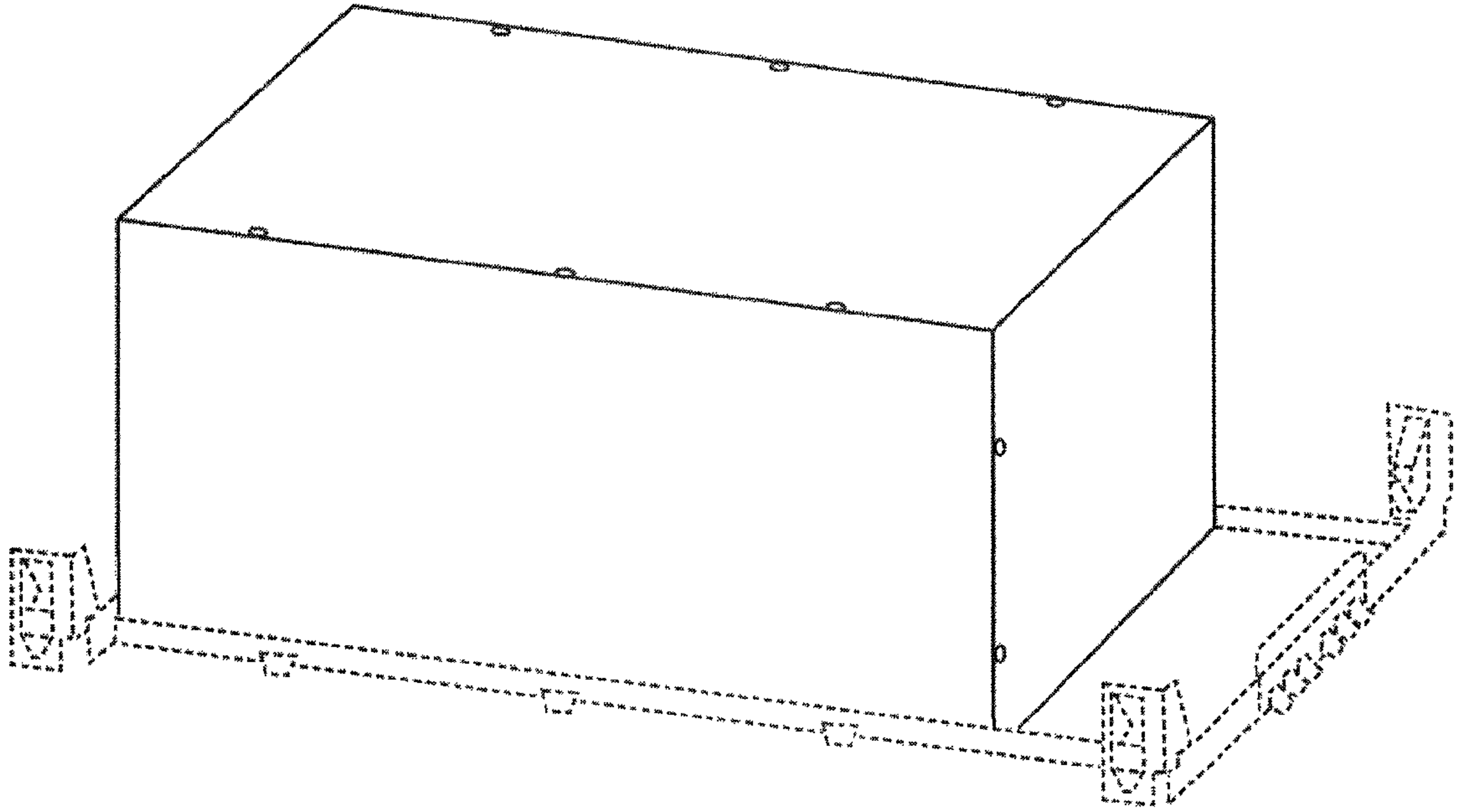


Fig. 28

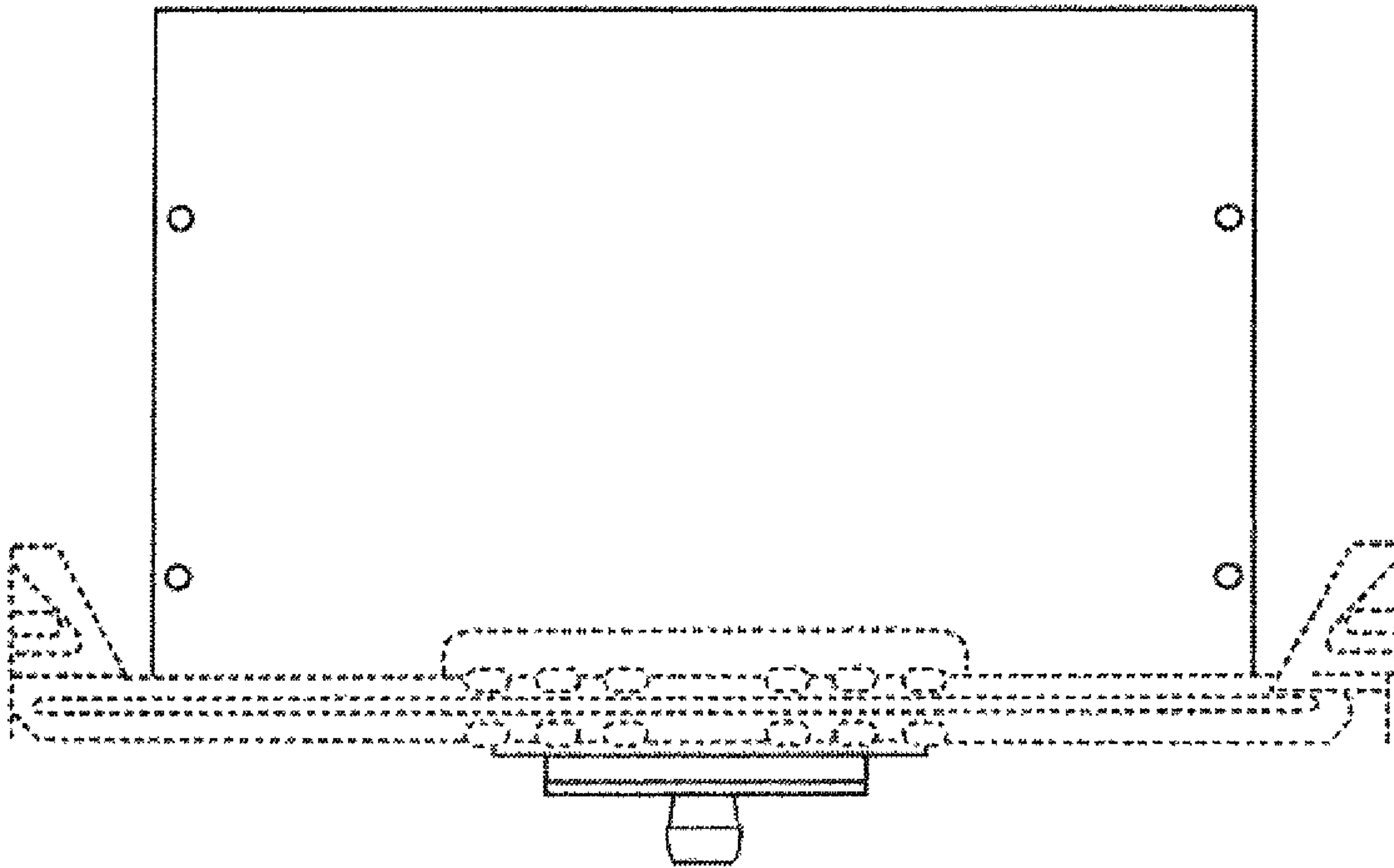


Fig. 29

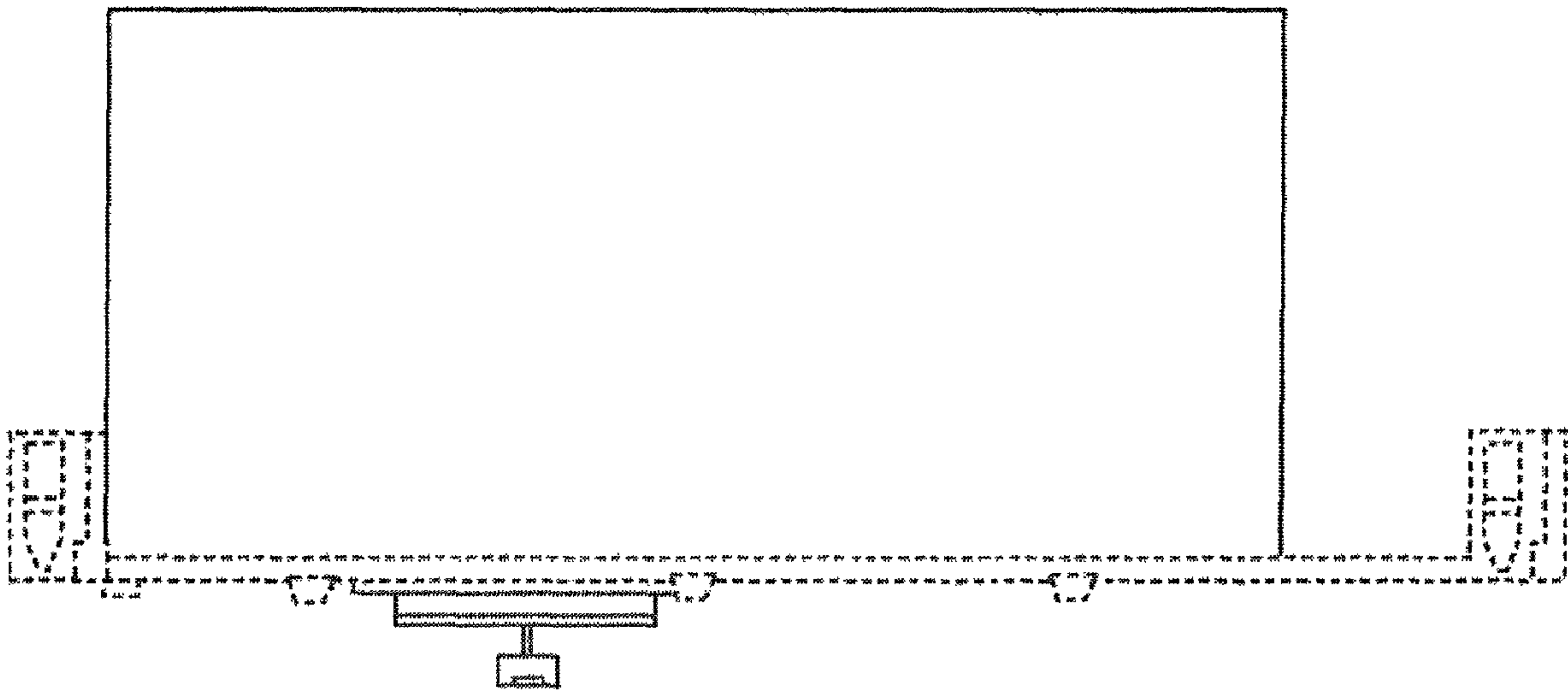


Fig. 30

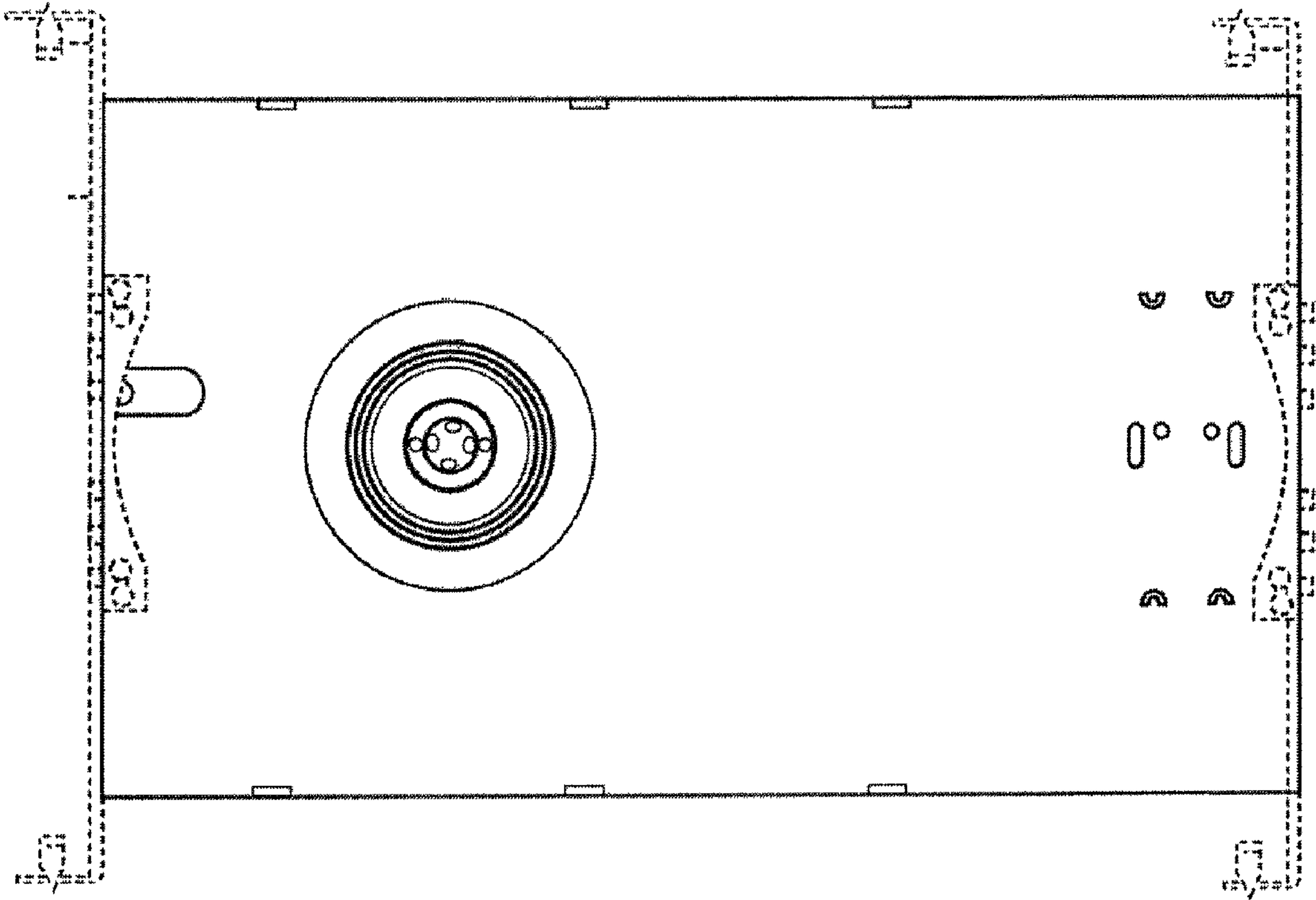


Fig. 31

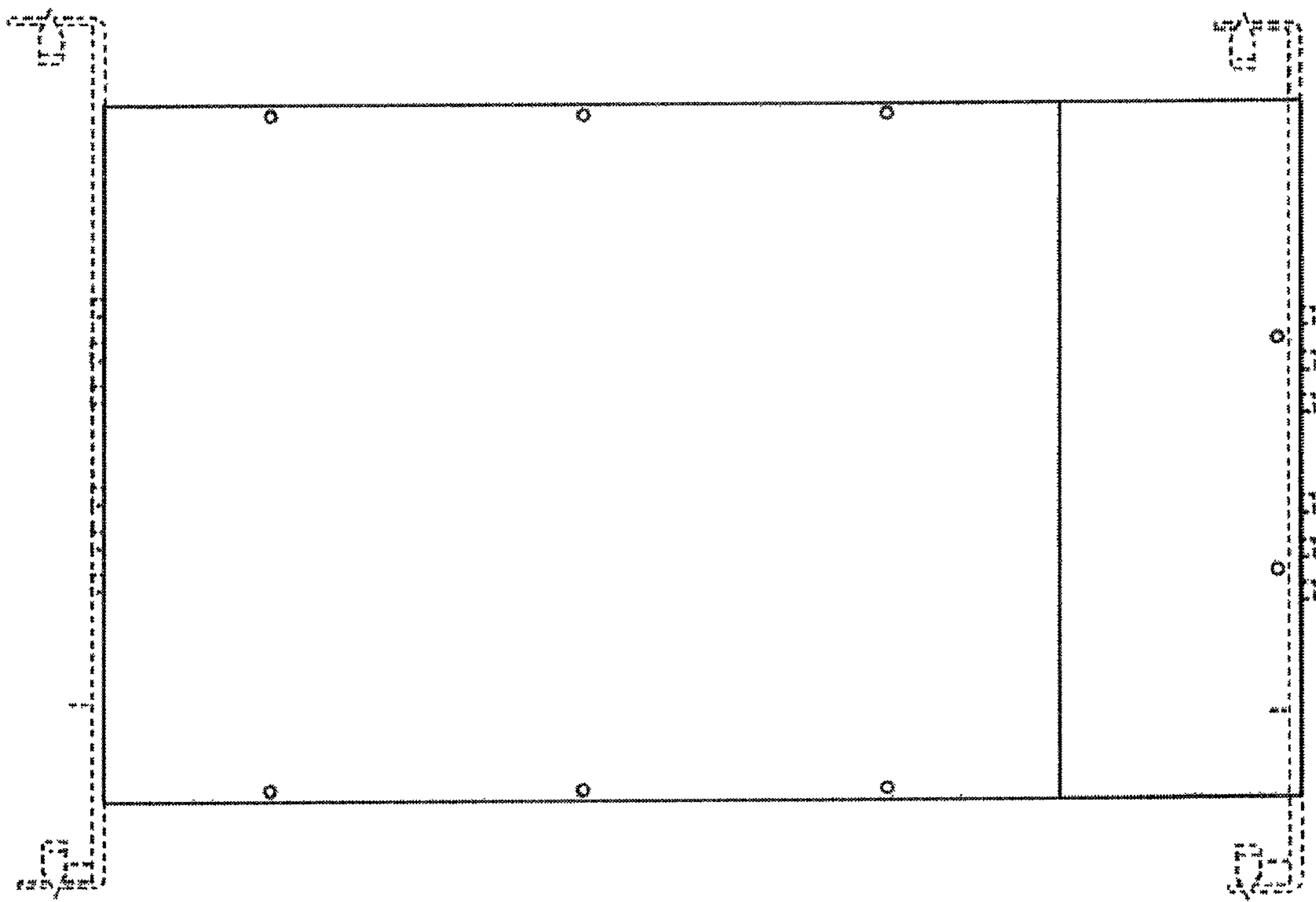


Fig. 32

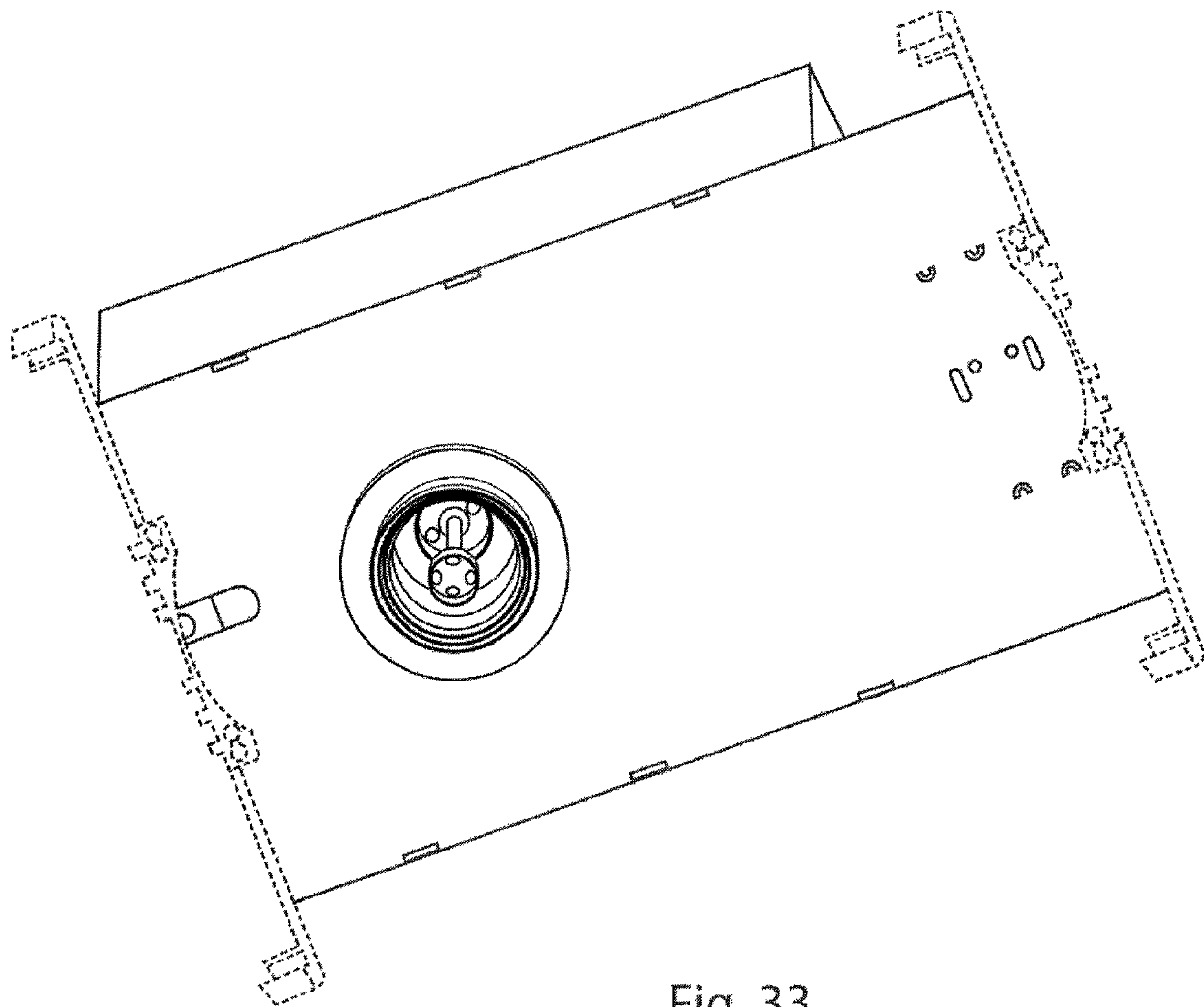


Fig. 33

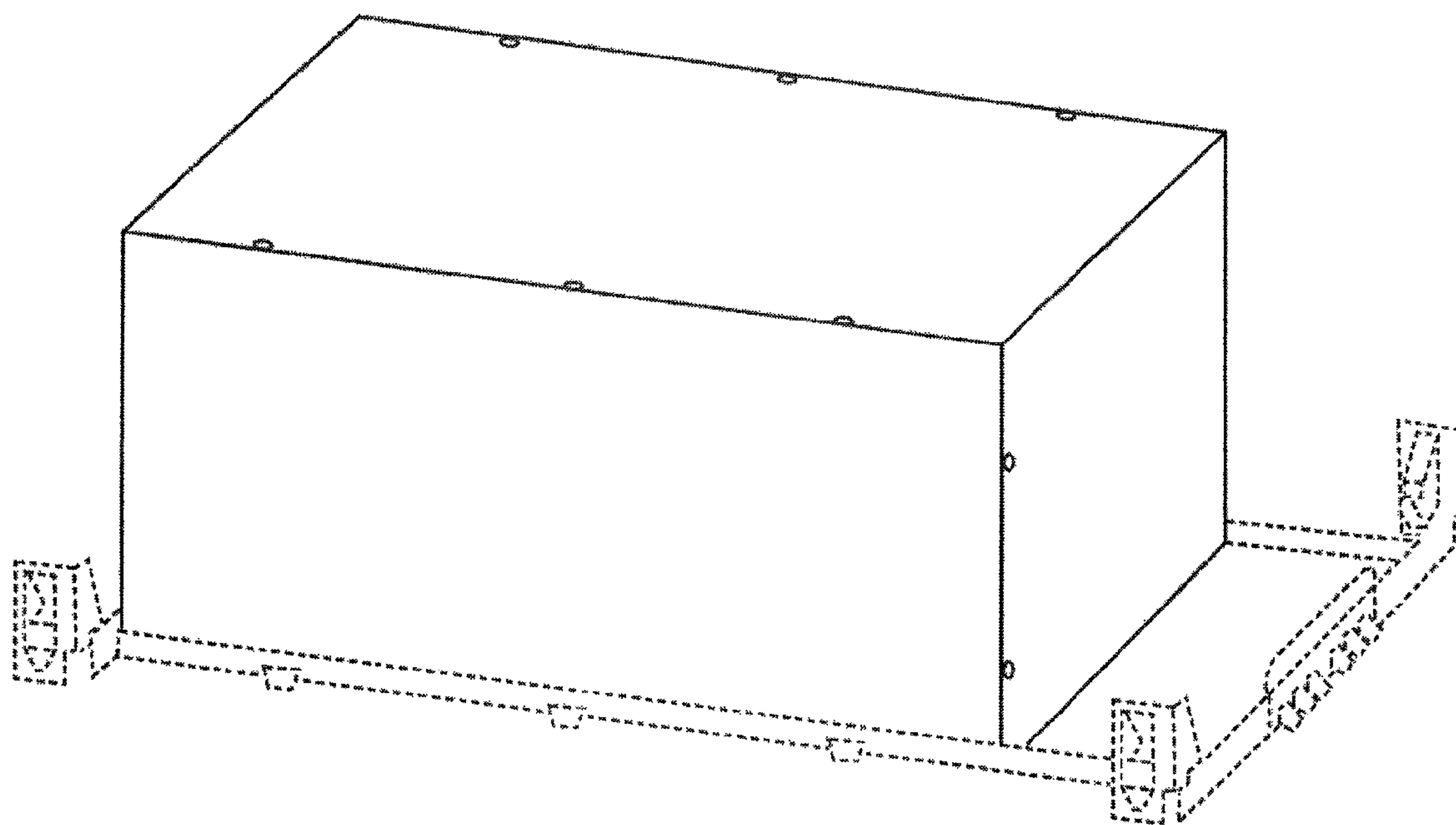


Fig. 34

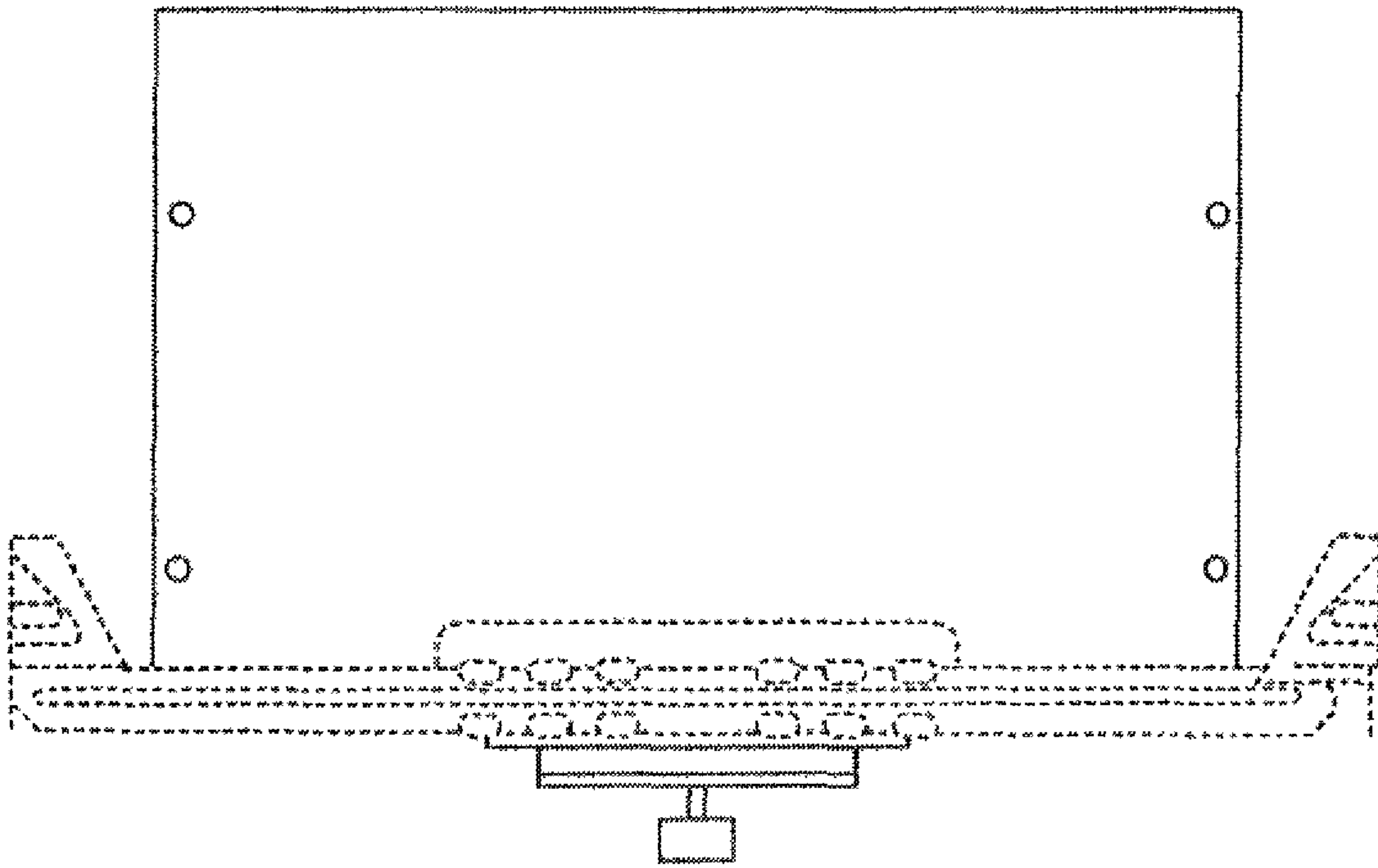


Fig. 35

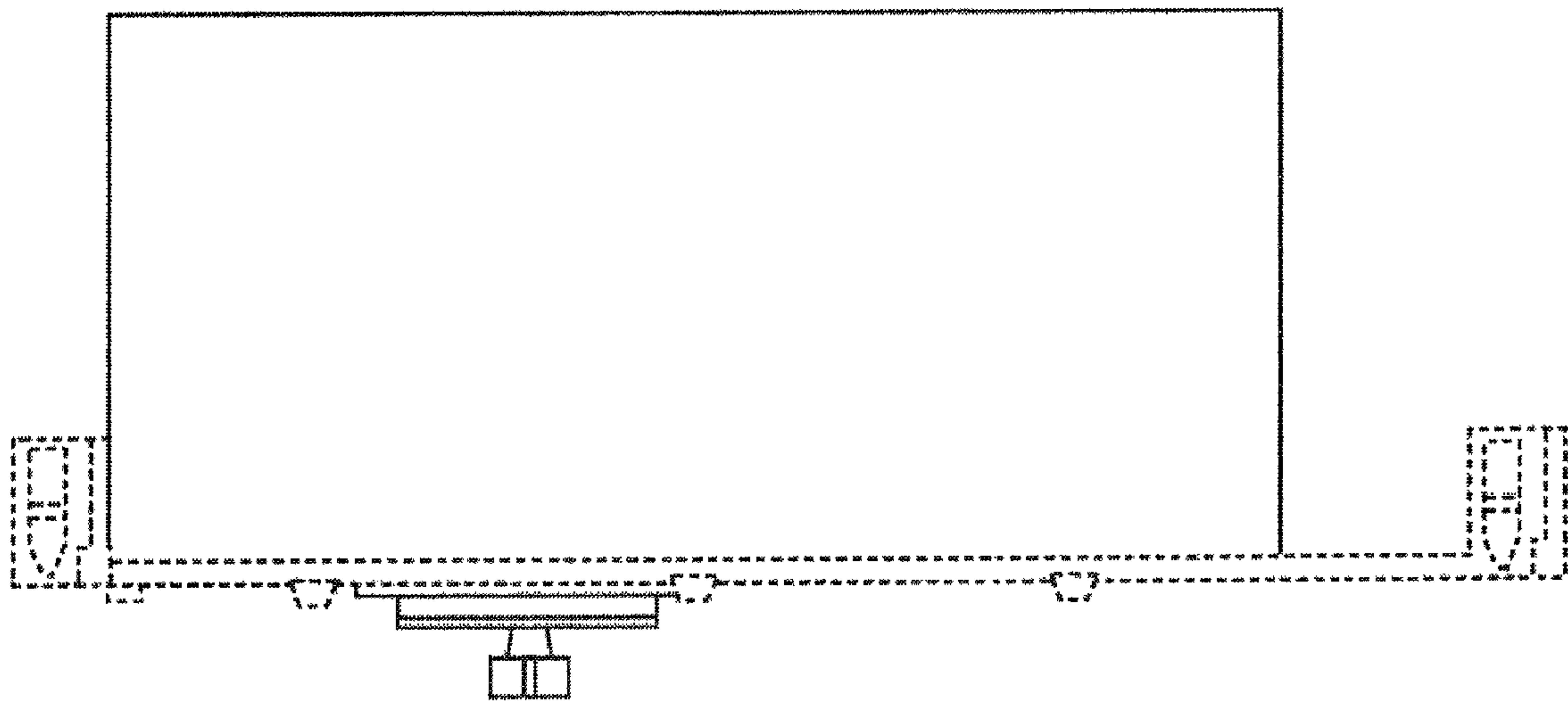


Fig. 36