



US00D641905S

(12) **United States Design Patent**
Janssen

(10) **Patent No.:** **US D641,905 S**
(45) **Date of Patent:** **** Jul. 19, 2011**

(54) **FLOODLIGHT LUMINAIRE**

(75) Inventor: **Ramon Janssen**, Eindhoven (NL)

(73) Assignee: **Koninklijke Philips Electronics N.V.**,
Eindhoven (NL)

(**) Term: **14 Years**

(21) Appl. No.: **29/364,732**

(22) Filed: **Jun. 28, 2010**

(30) **Foreign Application Priority Data**

Dec. 28, 2009 (EM) 001652629-0005

(51) **LOC (9) Cl.** **26-05**

(52) **U.S. Cl.** **D26/63**

(58) **Field of Classification Search** D26/60-66,
D26/72, 85, 87-89, 91-93, 104, 106, 41,
D26/44; 362/145, 147, 267, 269-274, 277,
362/278, 282, 284, 285, 287, 289, 372, 404,
362/406, 413, 414, 418, 427, 430, 432, 433,
362/310, 311.01, 322

See application file for complete search history.

(56) **References Cited**

U.S. PATENT DOCUMENTS

D287,645 S *	1/1987	Ewing et al.	D26/63
D290,522 S *	6/1987	de Vos et al.	D26/63
D291,360 S *	8/1987	De Vos et al.	D26/63
D296,829 S *	7/1988	Peppers	D26/63
D597,693 S *	8/2009	Kauffman et al.	D26/63
D624,681 S *	9/2010	Ying et al.	D26/63
D624,682 S *	9/2010	Ying et al.	D26/63

* cited by examiner

Primary Examiner — Susan M Lee

Assistant Examiner — Linda Brooks

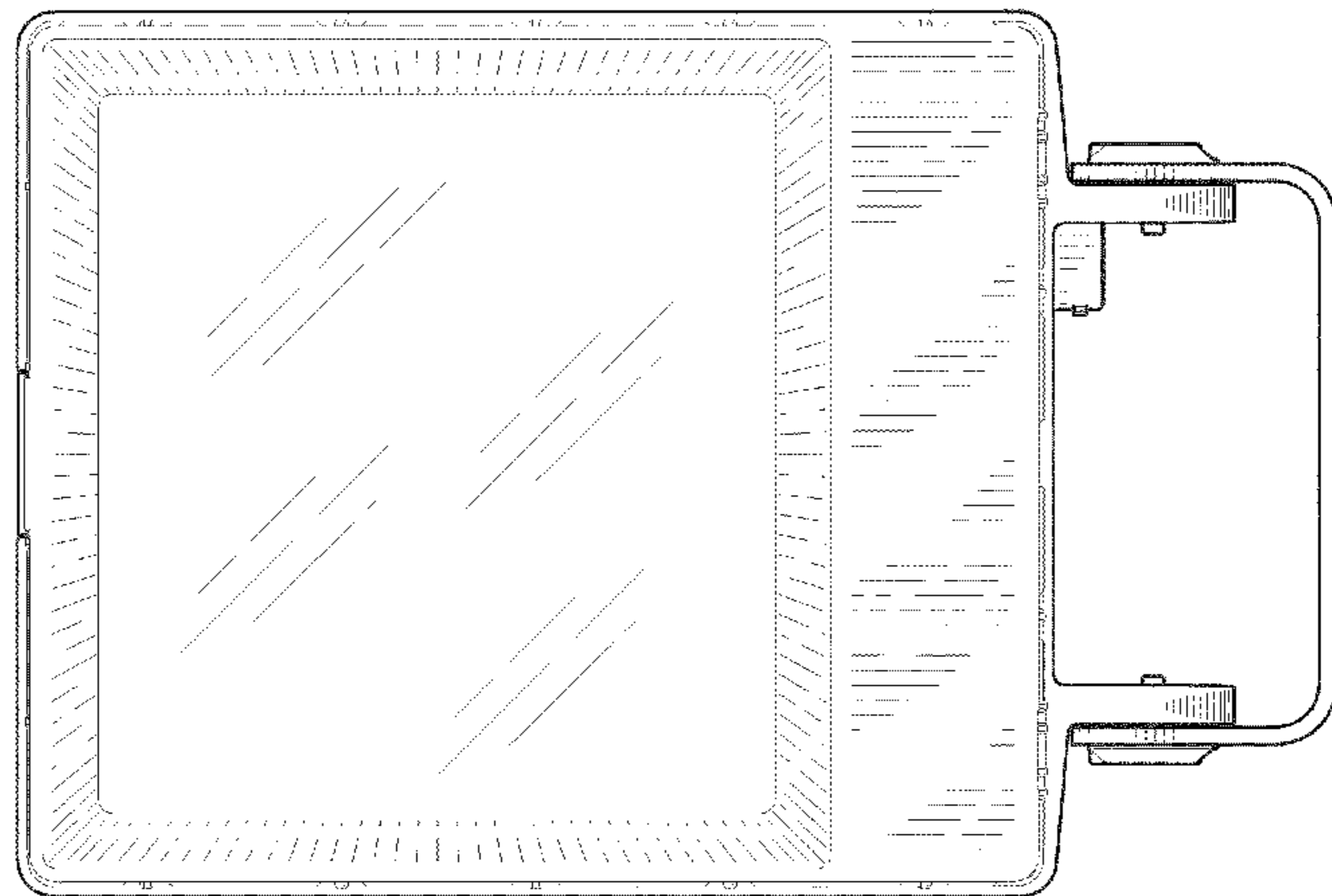
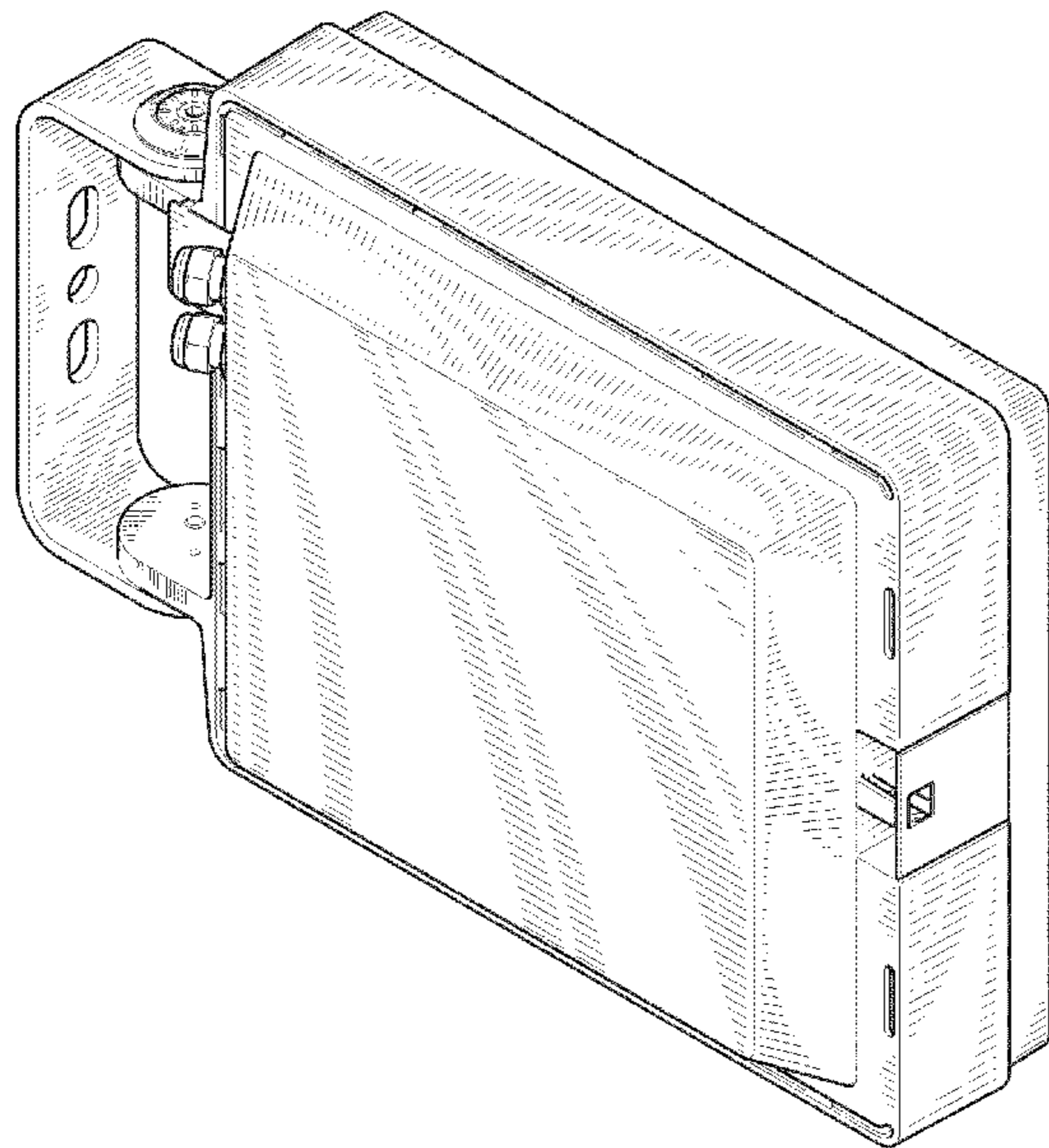
(57) **CLAIM**

The ornamental design for a floodlight luminaire, as shown.

DESCRIPTION

FIG. 1 is a perspective view showing my design;
FIG. 2 is a front elevational view thereof;
FIG. 3 is a rear elevational view thereof;
FIG. 4 is a right side elevational view thereof;
FIG. 5 is a left side elevational view thereof;
FIG. 6 is a top plan view thereof; and,
FIG. 7 is a bottom plan view thereof.

1 Claim, 5 Drawing Sheets



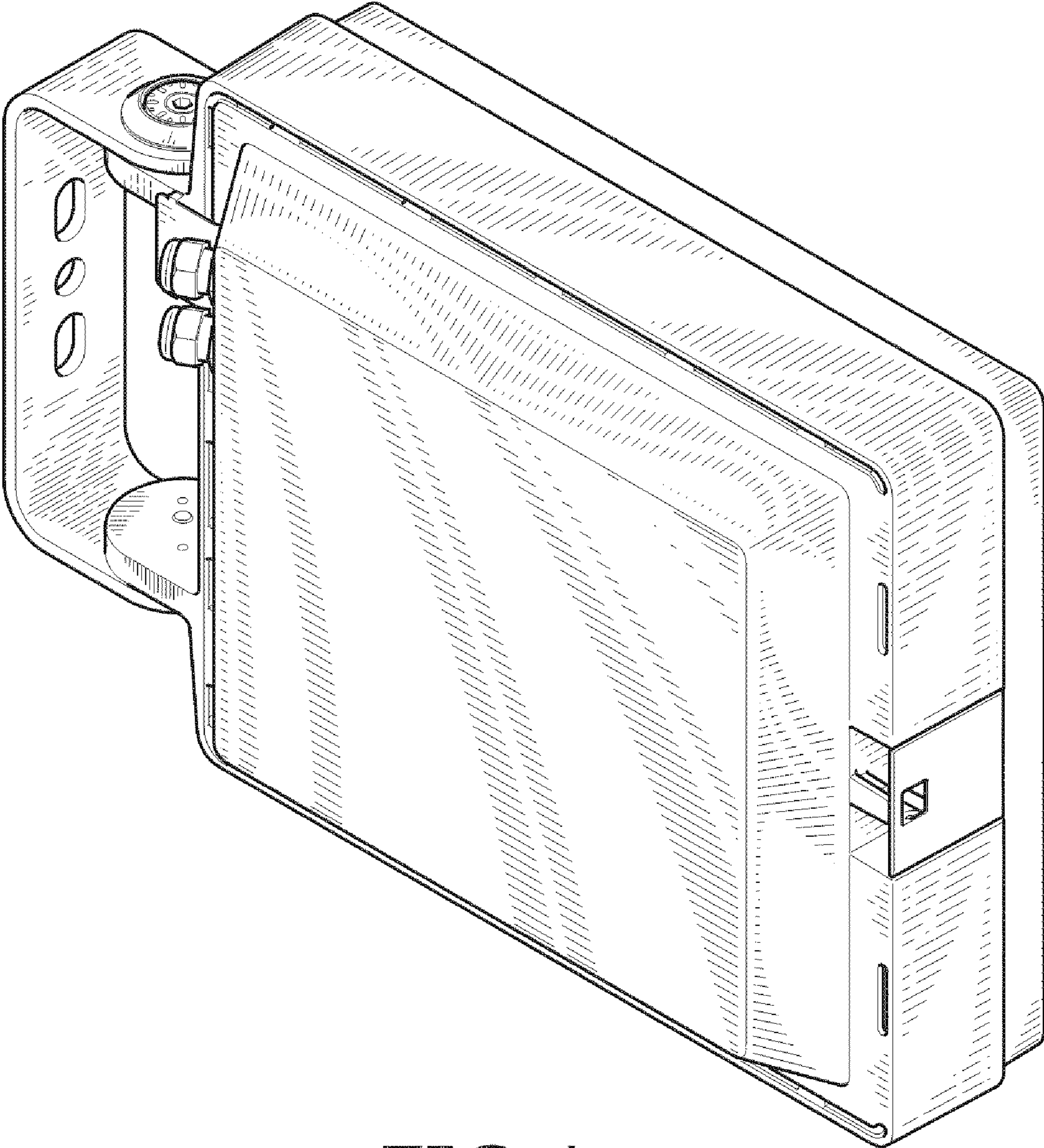


FIG. 1

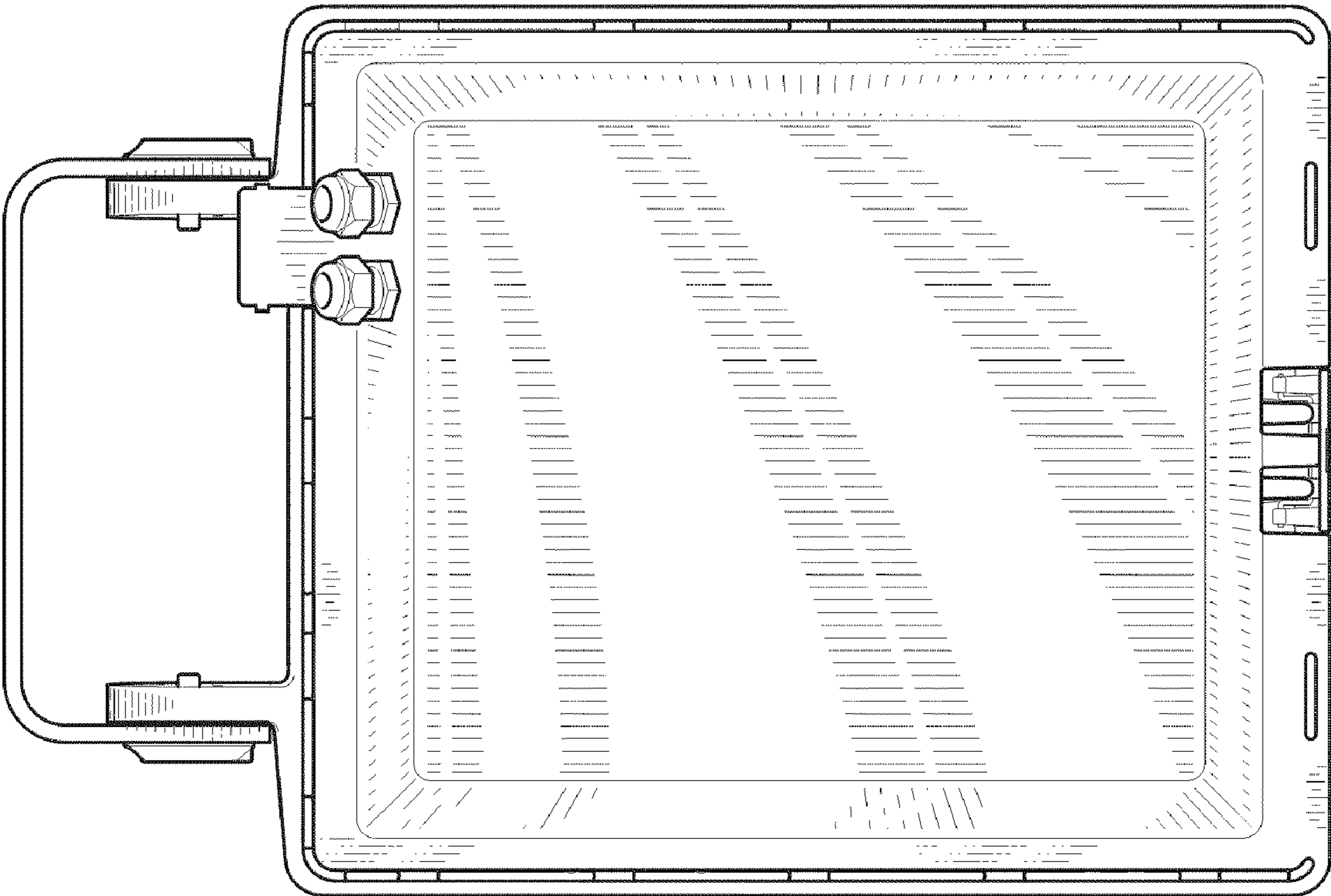


FIG.2

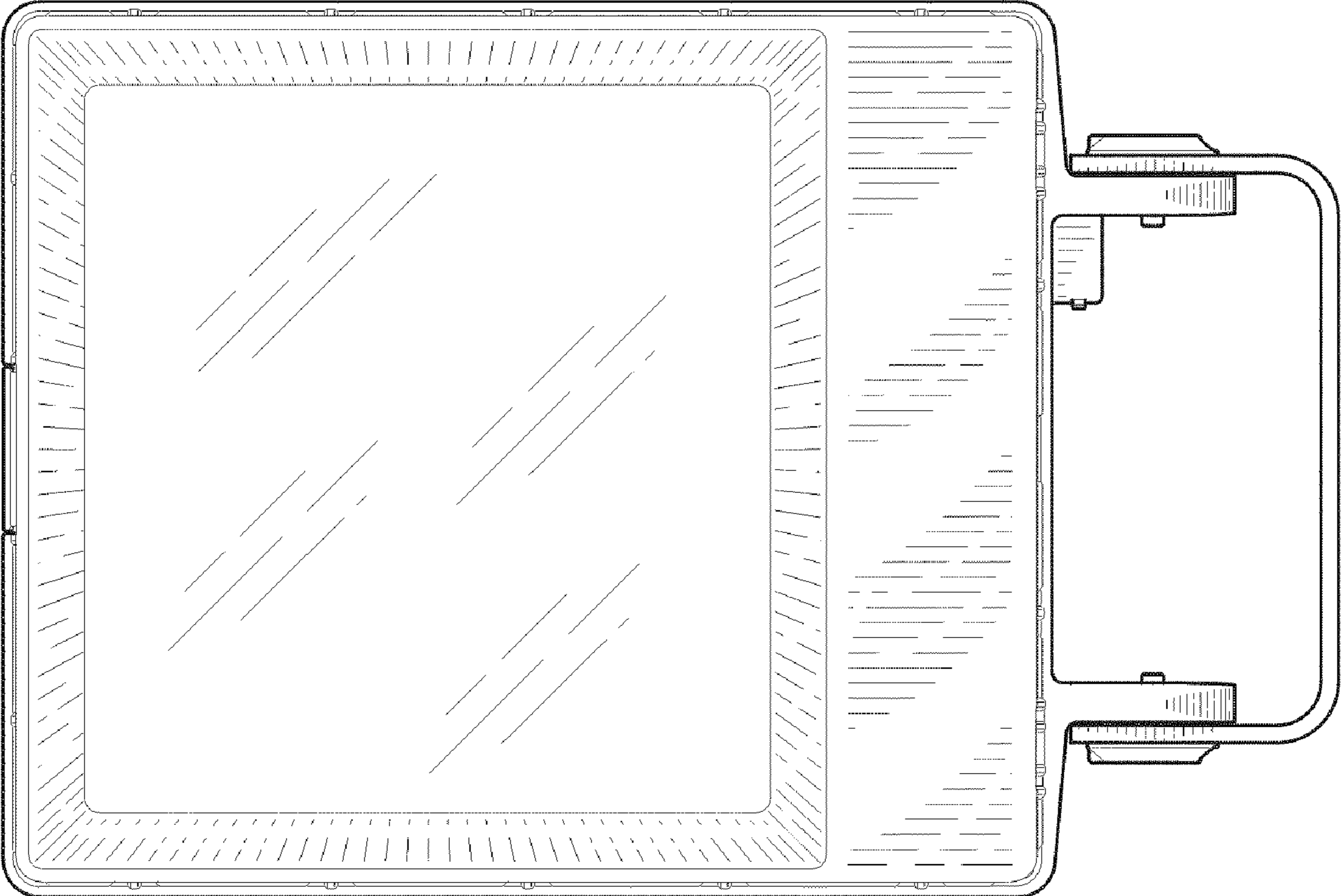


FIG.3

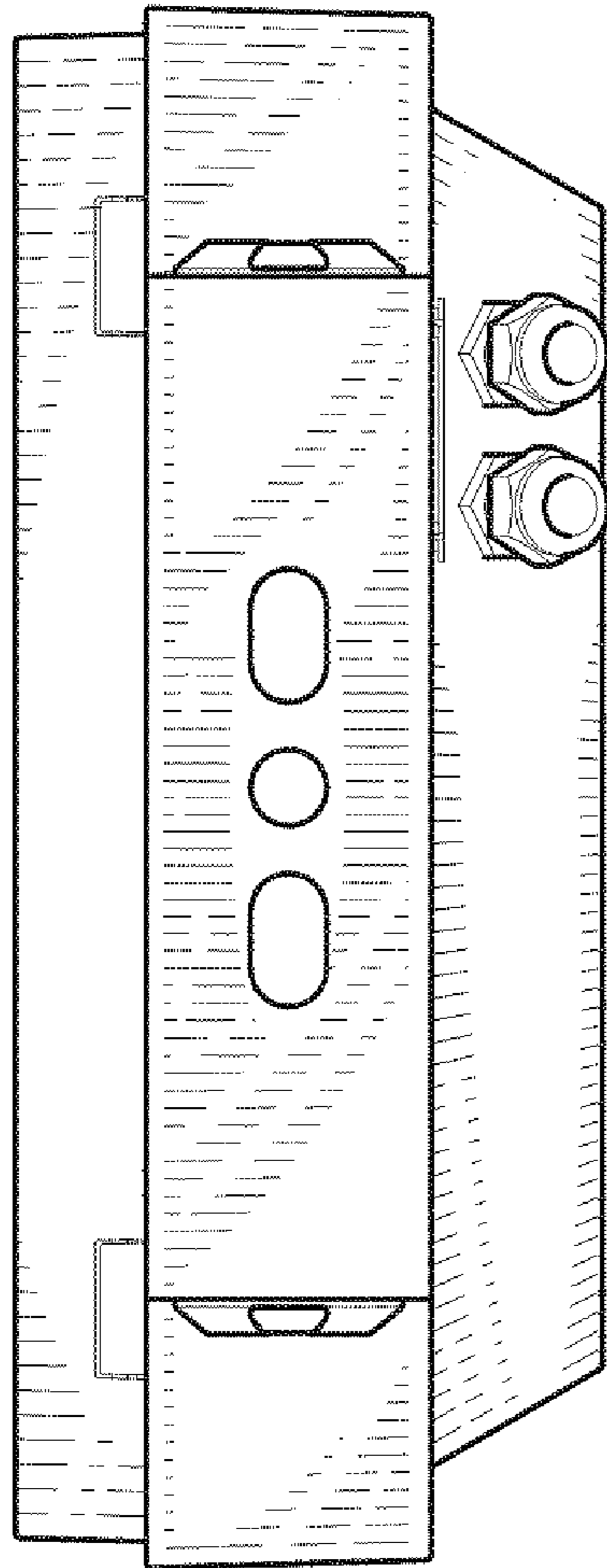


FIG. 4

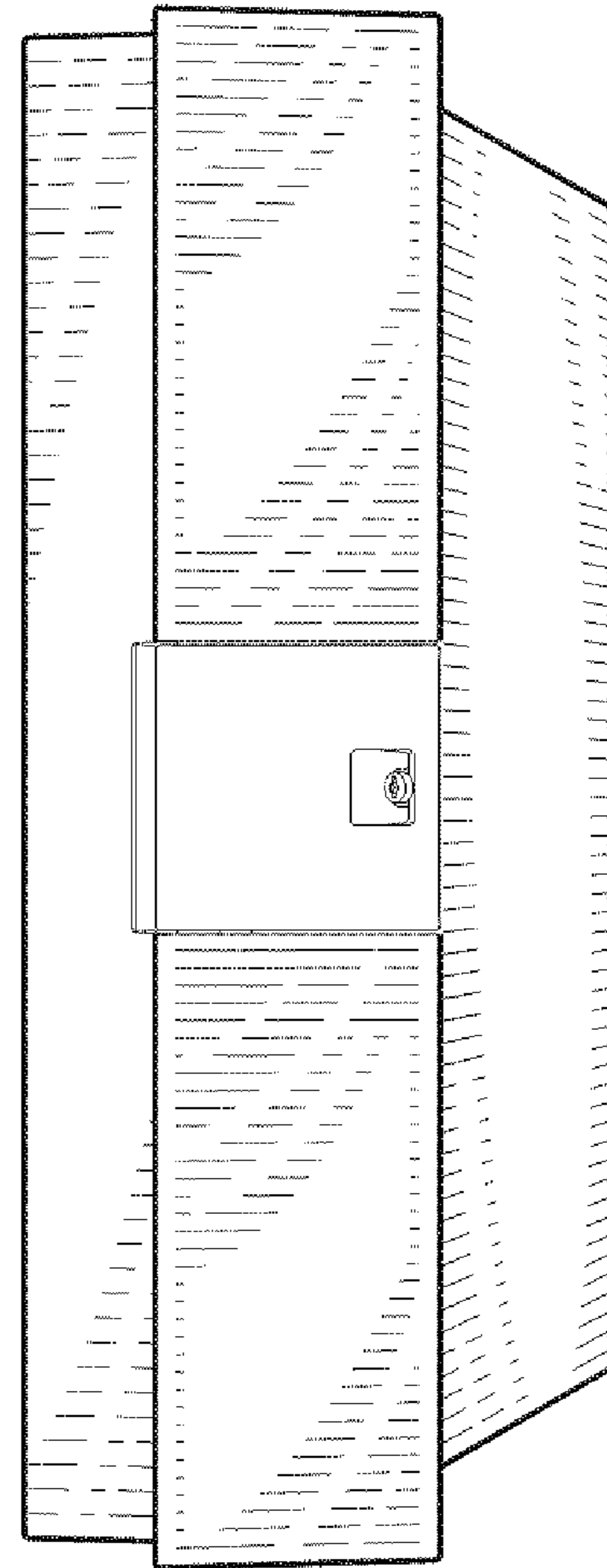


FIG. 5

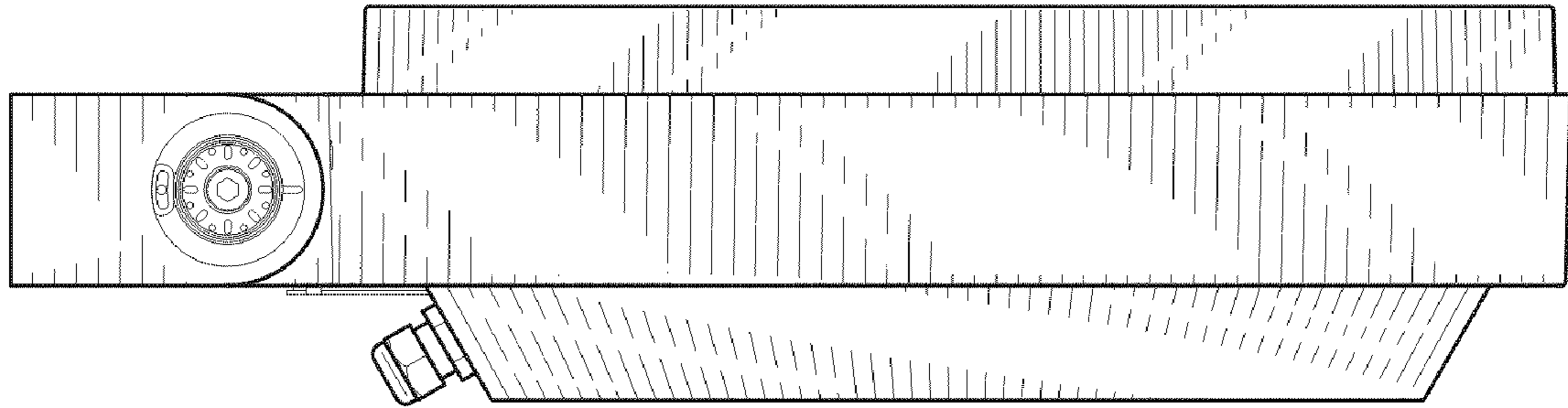


FIG. 6

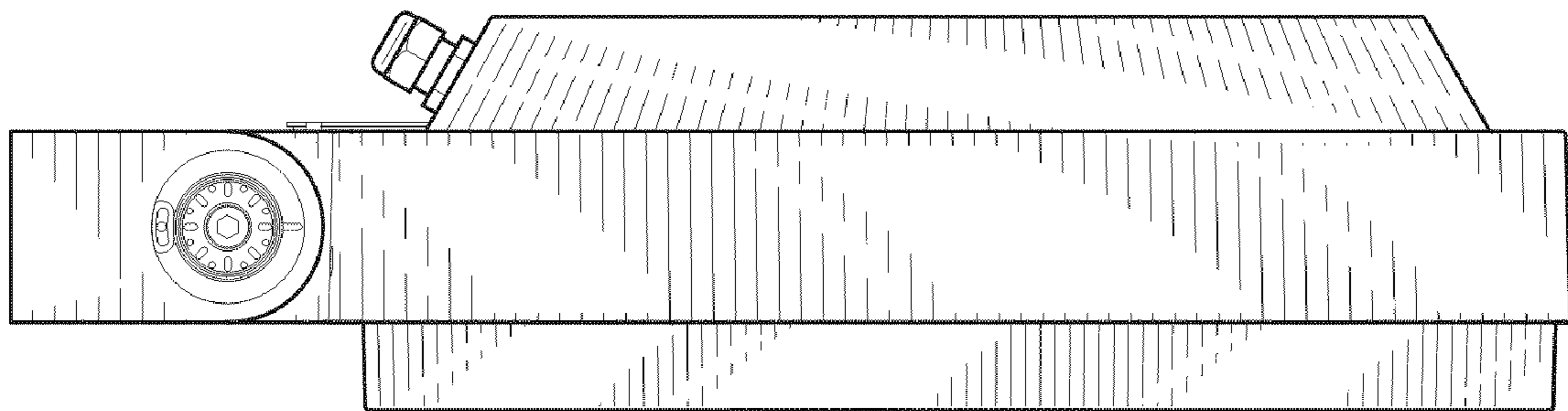


FIG. 7