



US00D641904S

(12) **United States Design Patent**
Winstanley et al.

(10) **Patent No.:** **US D641,904 S**
(45) **Date of Patent:** **** Jul. 19, 2011**

(54) **OUTDOOR LIGHT UNIT**

(75) Inventors: **Nathan B. Winstanley**, Lenox, MA (US); **Philip A. Cohen**, Richmond, MA (US); **Brendan M. Walsh**, Pittsfield, MA (US); **Ashok Alilughatta Sathyanarayana**, Pune (IN)

(73) Assignees: **Winstanley Partners**, Lenox, MA (US); **Sigma Electric Manufacturing Corporation**, Garner, NC (US)

(**) Term: **14 Years**

(21) Appl. No.: **29/352,660**

(22) Filed: **Dec. 23, 2009**

(51) **LOC (9) Cl.** **26-05**

(52) **U.S. Cl.** **D26/63; D26/67**

(58) **Field of Classification Search** D26/60-71;
362/152, 153.1, 269-271, 275, 277, 278,
362/282-285, 287, 418, 427, 431, 217.01,
362/217.02, 220

See application file for complete search history.

(56) **References Cited**

U.S. PATENT DOCUMENTS

1,800,301	A *	4/1931	Larson	362/470
D365,169	S	12/1995	Fillipp		
D370,076	S *	5/1996	Lecluze	D26/63
D383,236	S	9/1997	Krogman		
D389,935	S *	1/1998	Pink	D26/68
D413,996	S *	9/1999	Andrus et al.	D26/68
5,988,833	A *	11/1999	Giese et al.	362/287

D417,519	S *	12/1999	Cutler	D26/63
D424,731	S *	5/2000	Landefeld	D26/68
D446,592	S *	8/2001	Leen	D26/63
6,612,720	B1 *	9/2003	Beadle	362/287
D542,959	S	5/2007	Yao		
D550,877	S	9/2007	Mullen		
D551,789	S *	9/2007	Mullen	D26/63
7,364,325	B2 *	4/2008	Lai	362/285

* cited by examiner

Primary Examiner — Phillip S Hyder

Assistant Examiner — Linda Brooks

(74) *Attorney, Agent, or Firm* — Cantor Colburn LLP

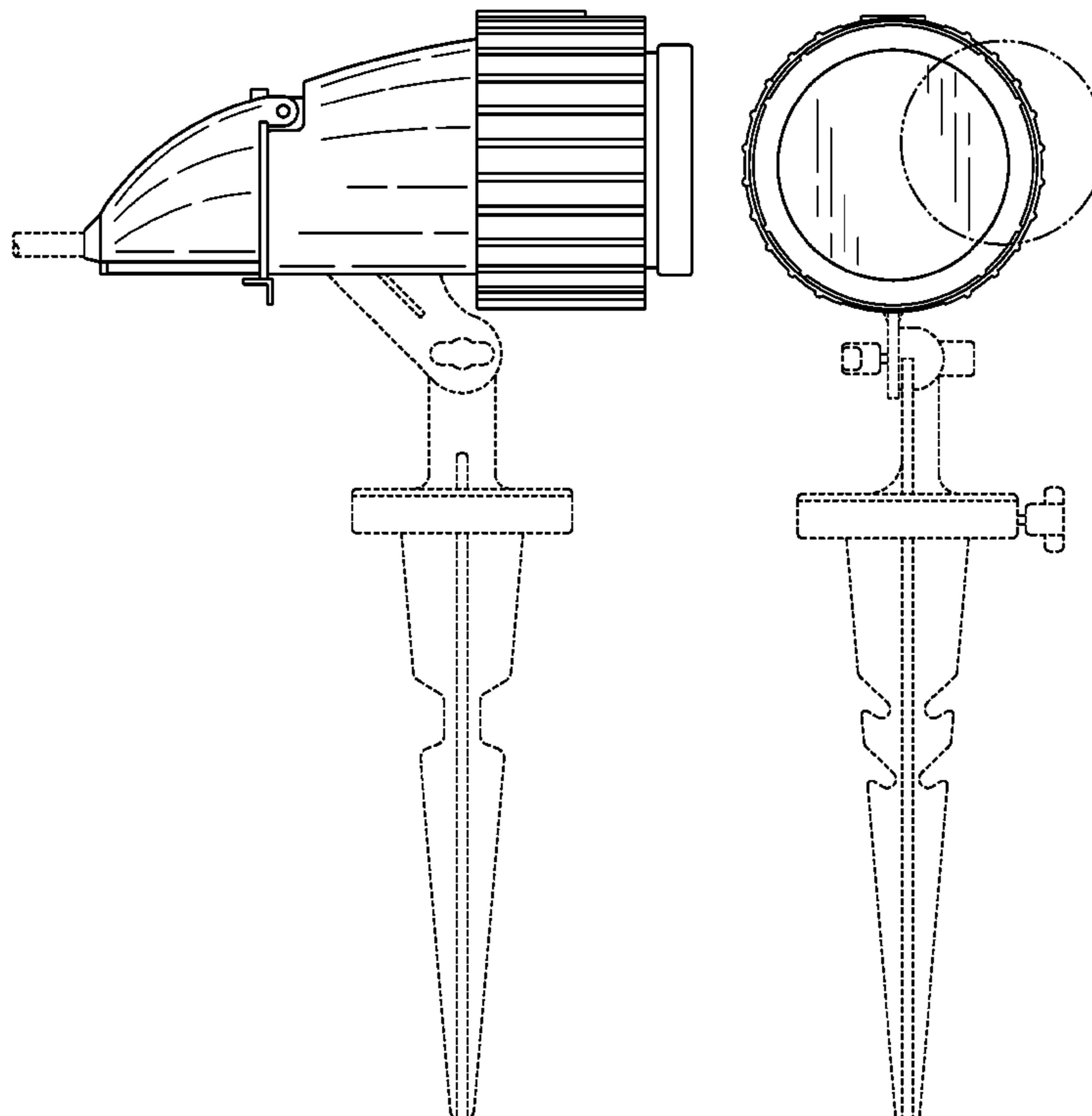
(57) **CLAIM**

We claim, the ornamental design for an outdoor light unit, as shown and described.

DESCRIPTION

FIG. 1 is a side view in elevation of the outdoor light unit, showing our new design;
FIG. 2 is a front view of the outdoor light unit;
FIG. 3 is the opposite side view in elevation of the outdoor light unit as compared to FIG. 1;
FIG. 4 is a top view of the outdoor light unit;
FIG. 5 is a bottom view of the outdoor light unit;
FIG. 6 is a rear view of the outdoor light unit;
FIG. 7 is an enlarged detail of the encircled portion of FIG. 2; and,
FIG. 8 is an enlarged detail of the encircled portion of FIG. 6.
Broken lines are shown in the Figures for environmental purposes only and form no part of the claimed design.

1 Claim, 5 Drawing Sheets



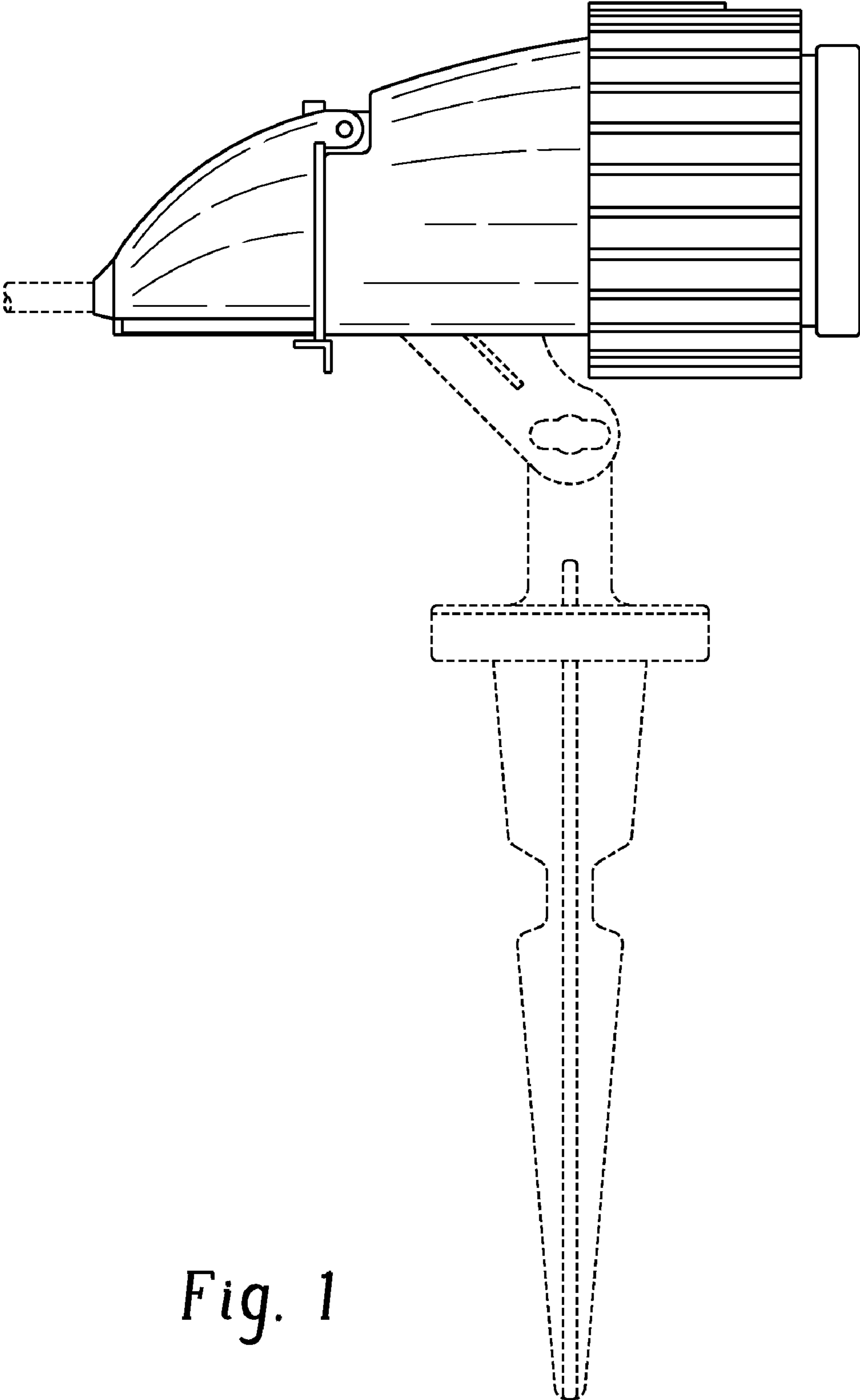


Fig. 1

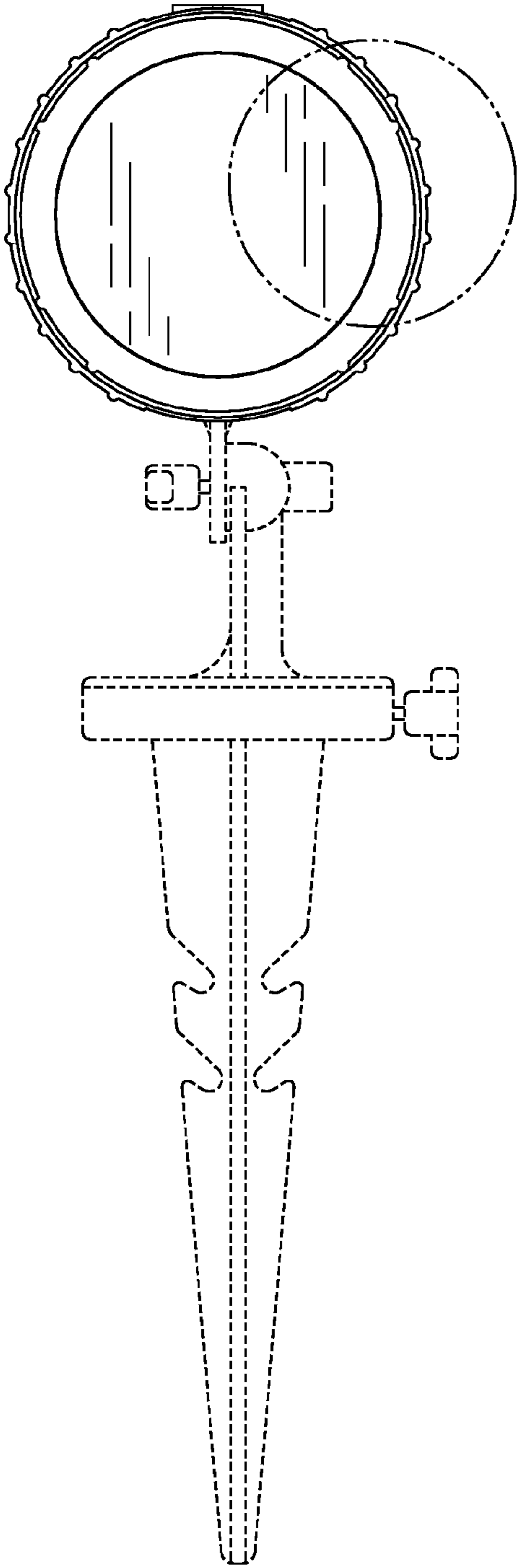


Fig. 2

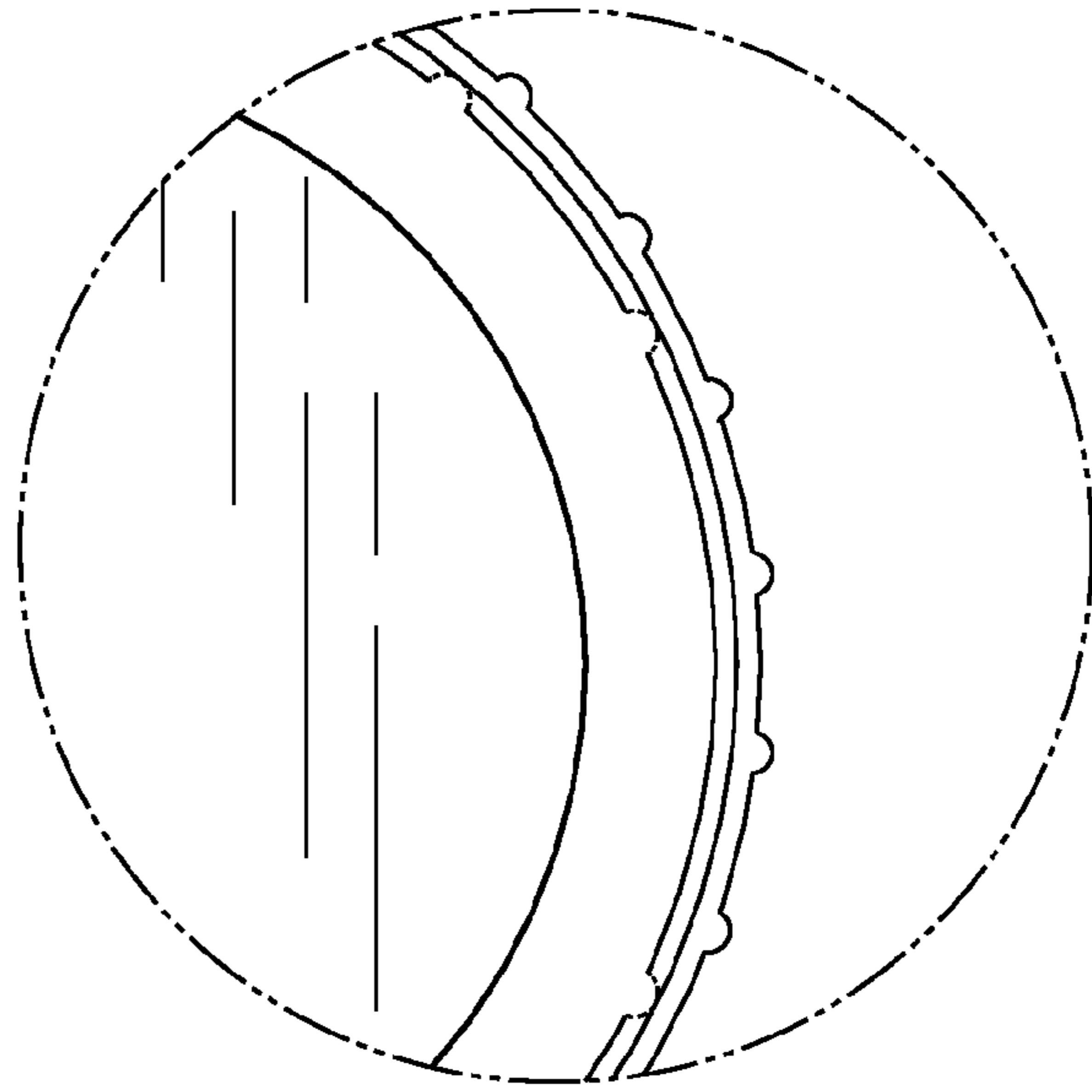


Fig. 7

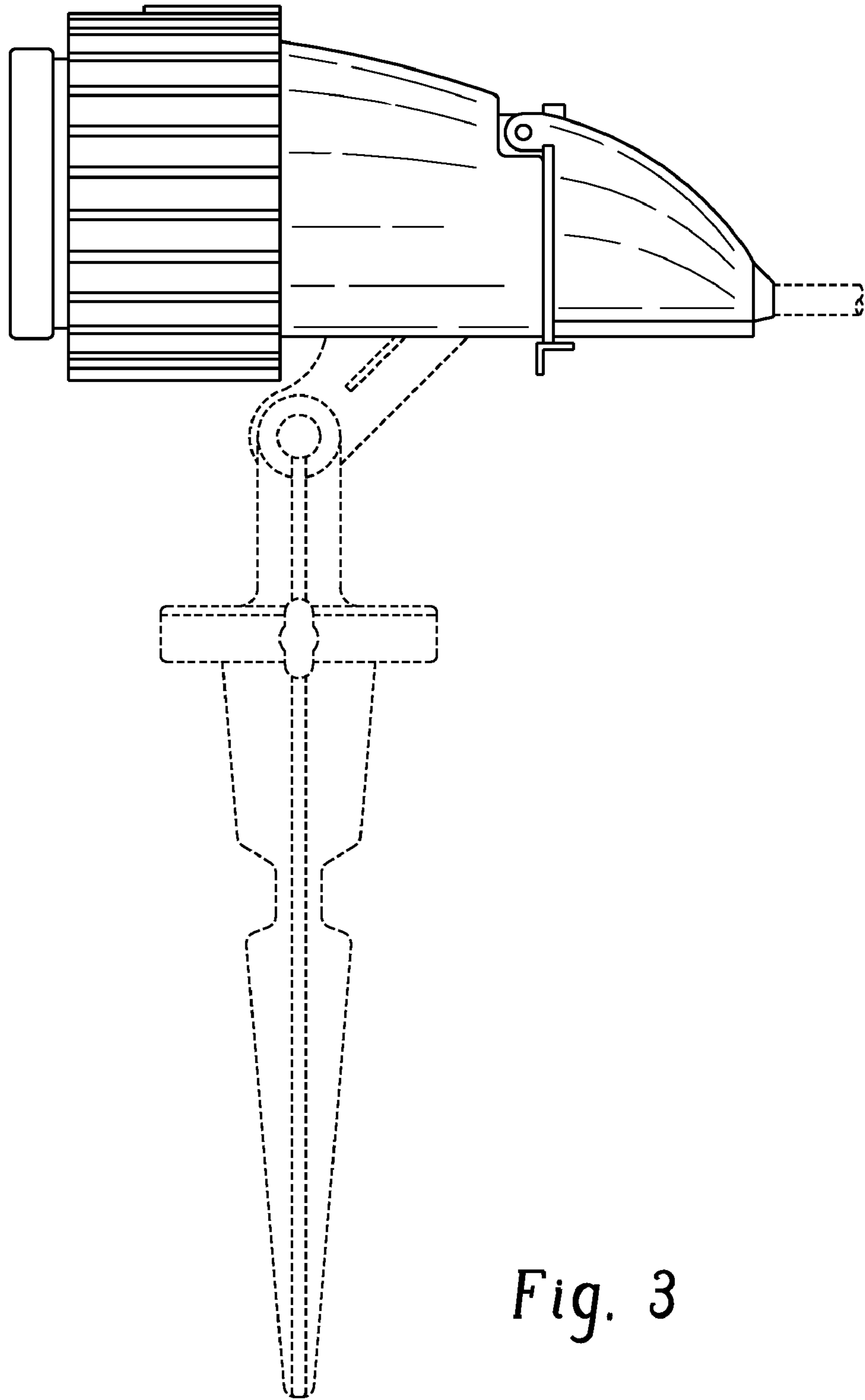


Fig. 3

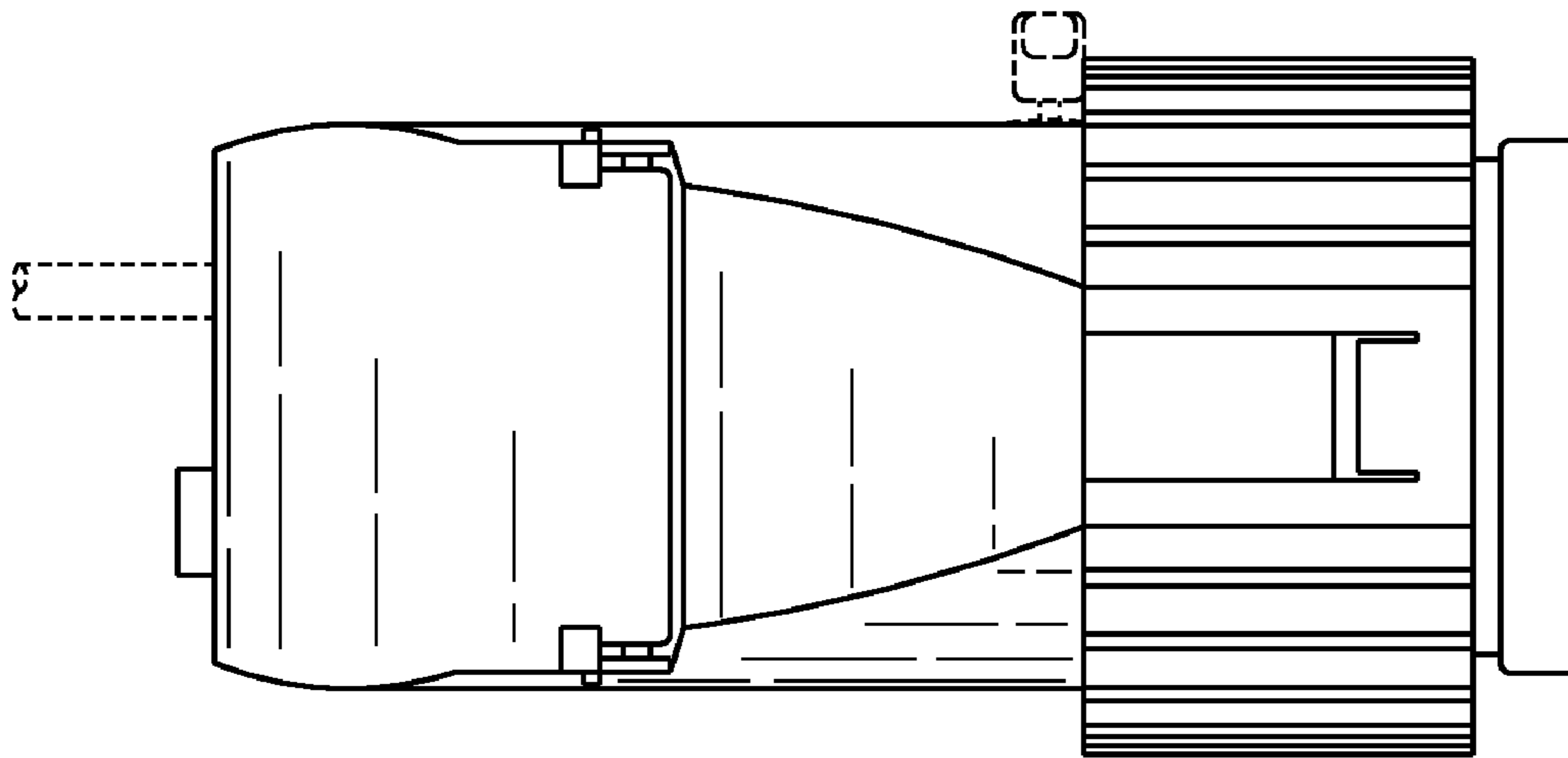


Fig. 4

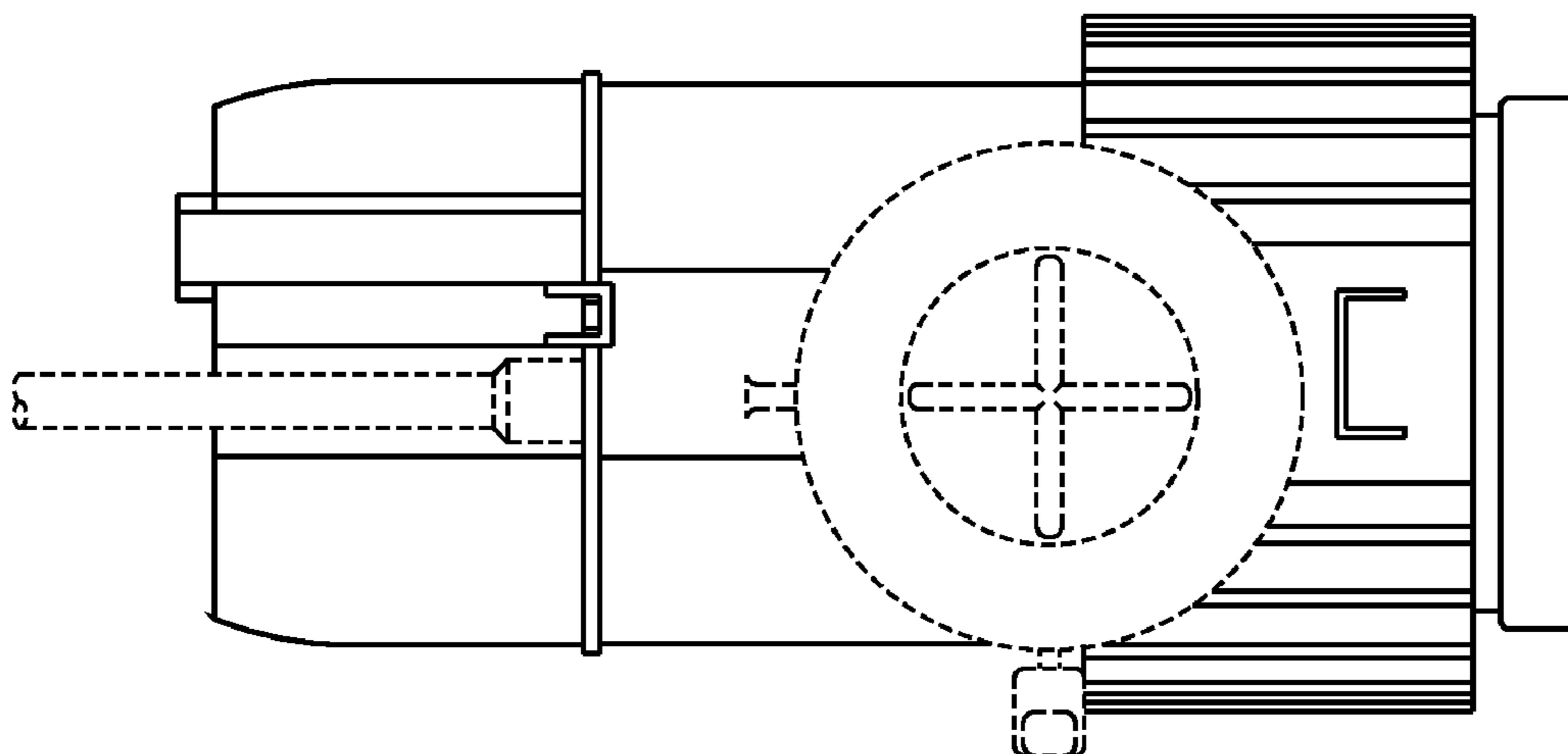


Fig. 5

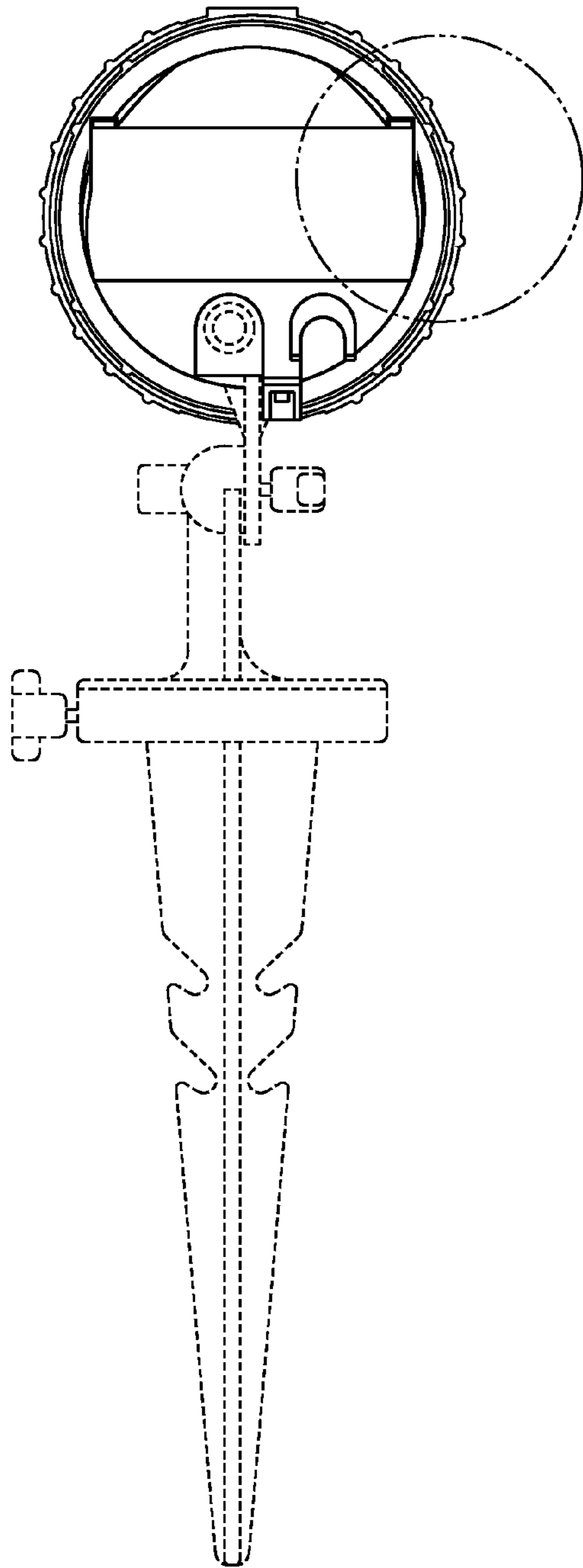


Fig. 6

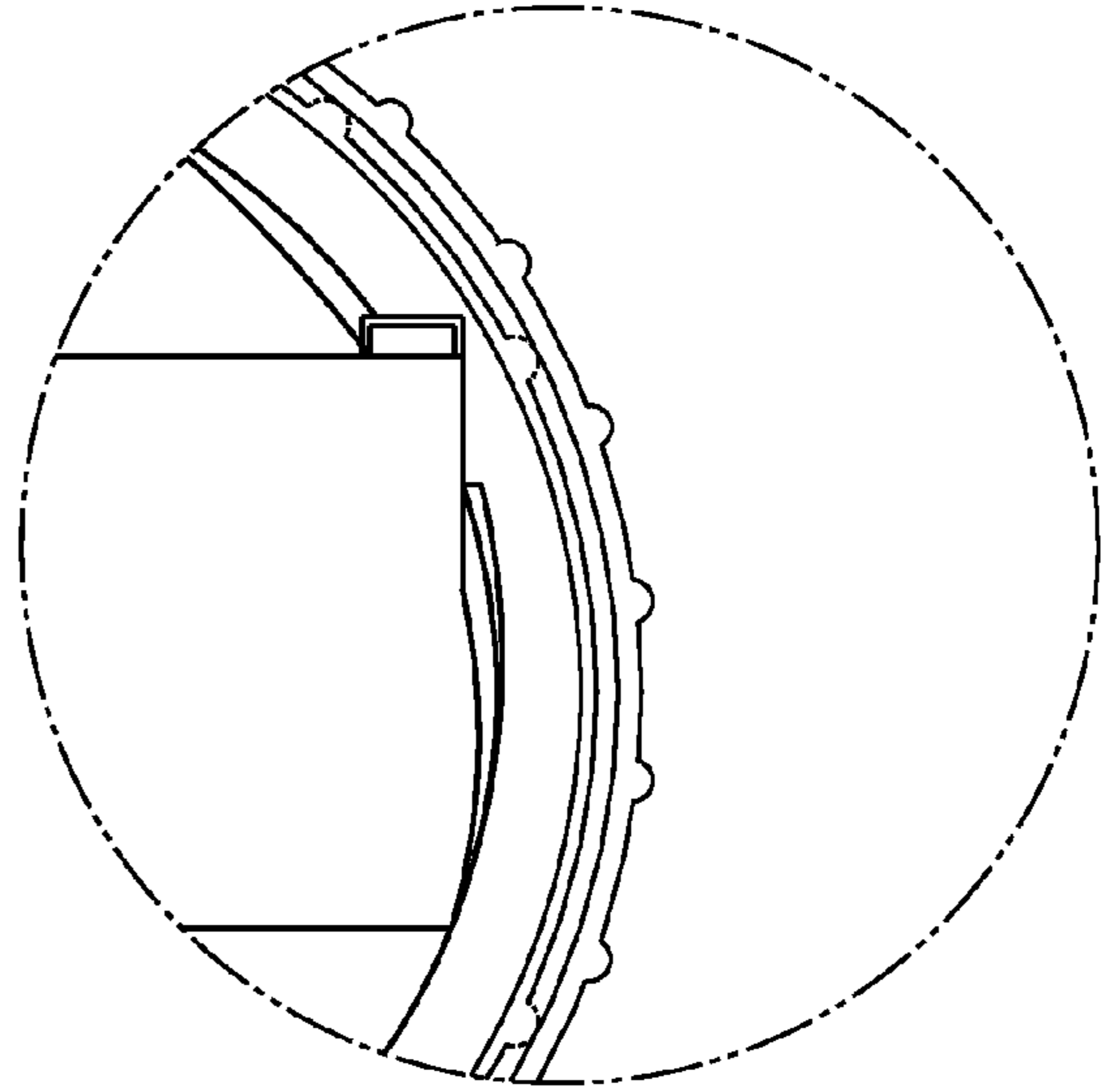


Fig. 8