



US00D641903S

(12) **United States Design Patent**
Nam

(10) **Patent No.:** **US D641,903 S**
(45) **Date of Patent:** **** Jul. 19, 2011**

(54) **CEILING LAMP**

(75) Inventor: **Eun Hee Nam**, Gyeonggi-do (KR)

(73) Assignee: **Wooree Lighting Co., Ltd.**,
Gyeonggi-do (KR)

(**) Term: **14 Years**

(21) Appl. No.: **29/359,926**

(22) Filed: **Apr. 16, 2010**

(30) **Foreign Application Priority Data**

Oct. 21, 2009 (KR) 30-2009-0046280

(51) **LOC (9) Cl.** **26-05**

(52) **U.S. Cl.** **D26/61**

(58) **Field of Classification Search** D26/60-66,
D26/72, 80, 81, 83-85, 88-90, 118, 74, 79,
D26/123, 124; 362/145, 147, 148, 277, 280,
362/285, 288, 319, 404, 408, 418, 310, 352,
362/406, 407, 353, 364, 429, 433-435

See application file for complete search history.

(56) **References Cited**

U.S. PATENT DOCUMENTS

D459,525	S	*	6/2002	Barry	D26/88
6,582,104	B2	*	6/2003	Miller et al.	362/356
D583,090	S	*	12/2008	Silver	D26/85
D596,336	S	*	7/2009	Sabernig	D26/88
7,740,384	B2	*	6/2010	Steadman et al.	362/341

* cited by examiner

Primary Examiner — Susan M Lee

Assistant Examiner — Linda Brooks

(74) *Attorney, Agent, or Firm* — Husch Blackwell LLP

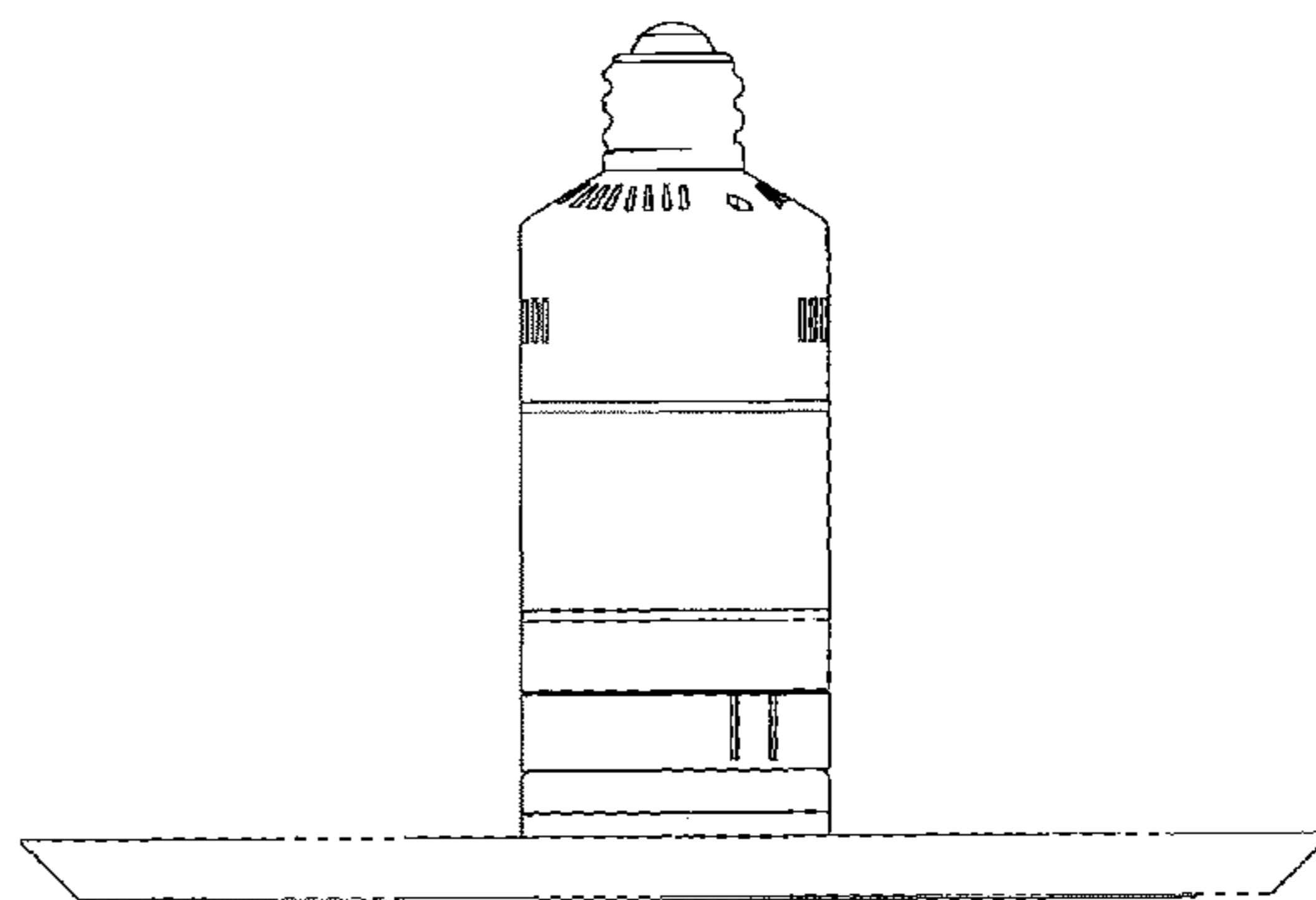
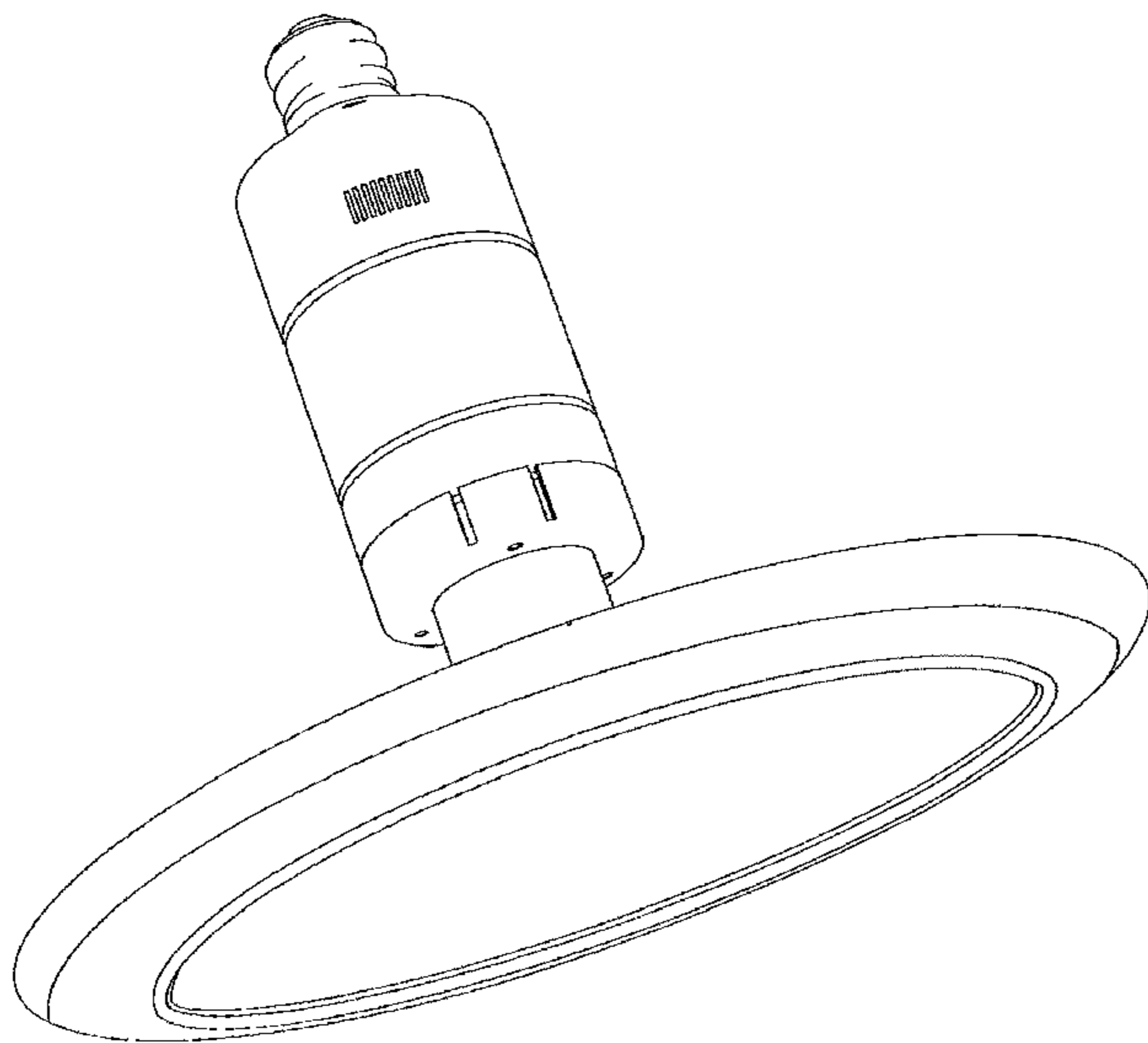
(57) **CLAIM**

The ornamental design for a ceiling lamp, as shown and described.

DESCRIPTION

FIG. 1 is a perspective view of a ceiling lamp showing my new design;
FIG. 2 is a bottom view thereof;
FIG. 3 is a top view thereof;
FIG. 4 is a front elevation view thereof;
FIG. 5 is a rear elevation view thereof;
FIG. 6 is a left side elevation view thereof;
FIG. 7 is a right side elevation view thereof; and,
FIG. 8 is a view of FIG. 6 in a retracted position.

1 Claim, 8 Drawing Sheets



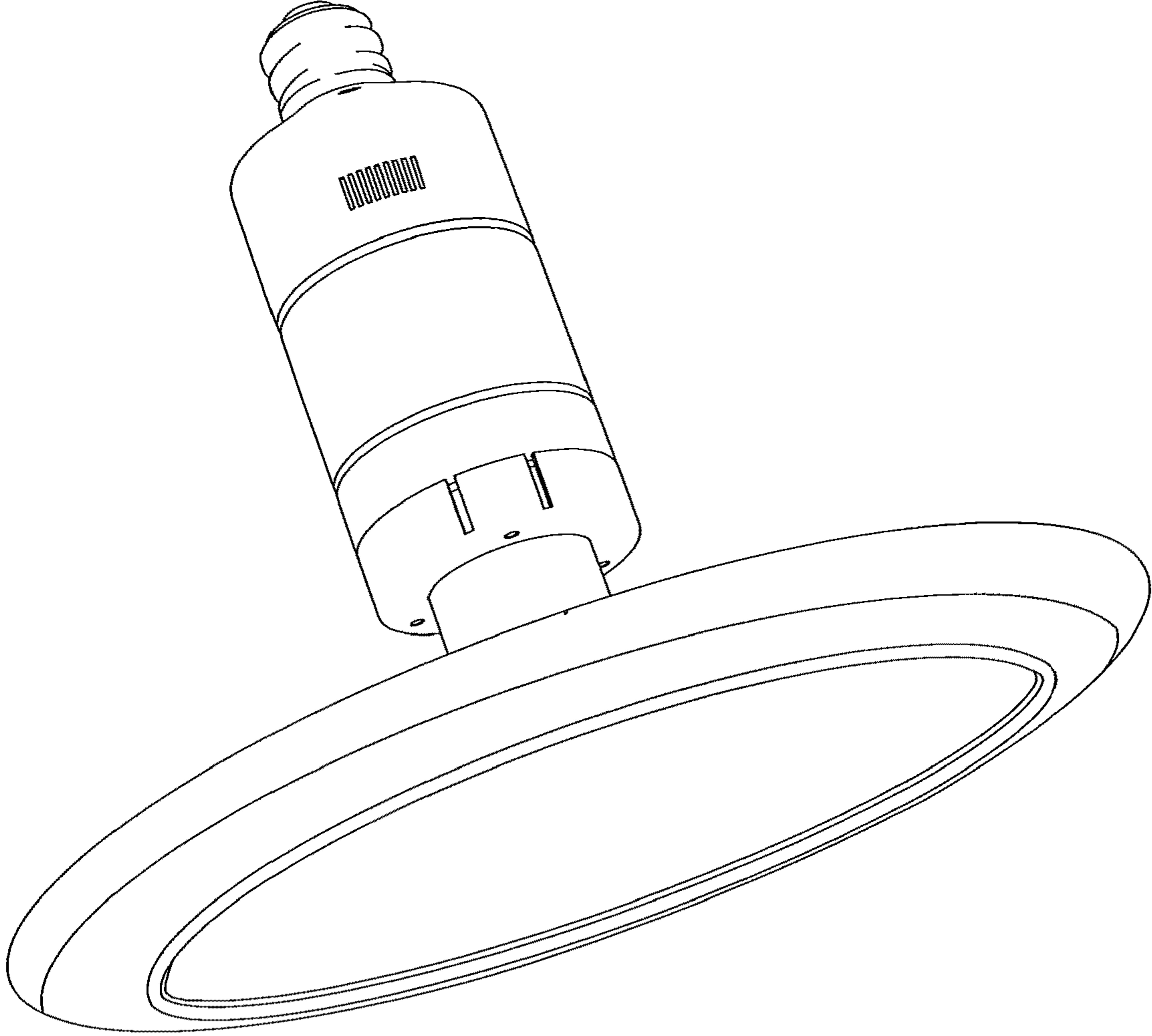


FIG. 1

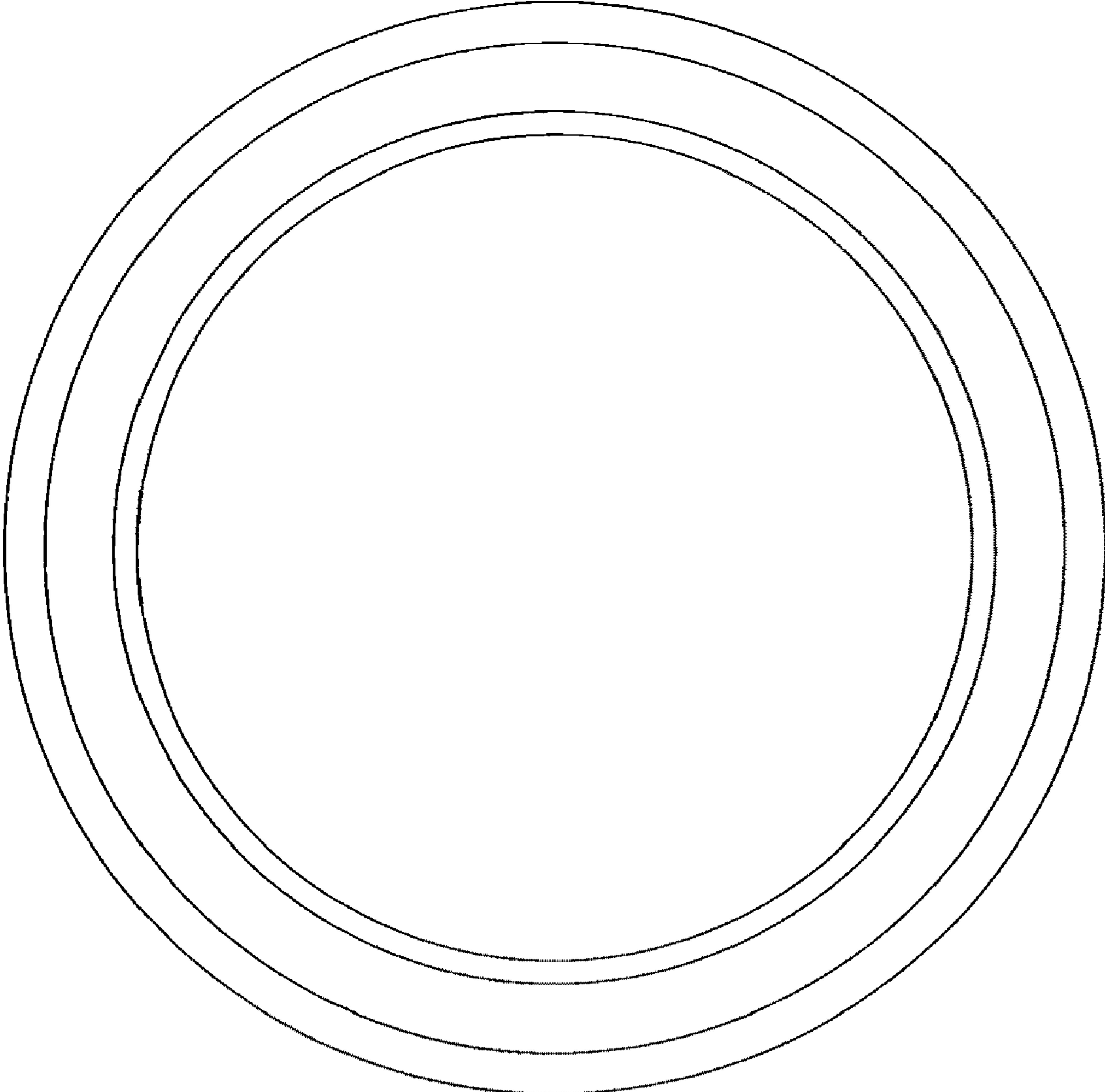


FIG. 2

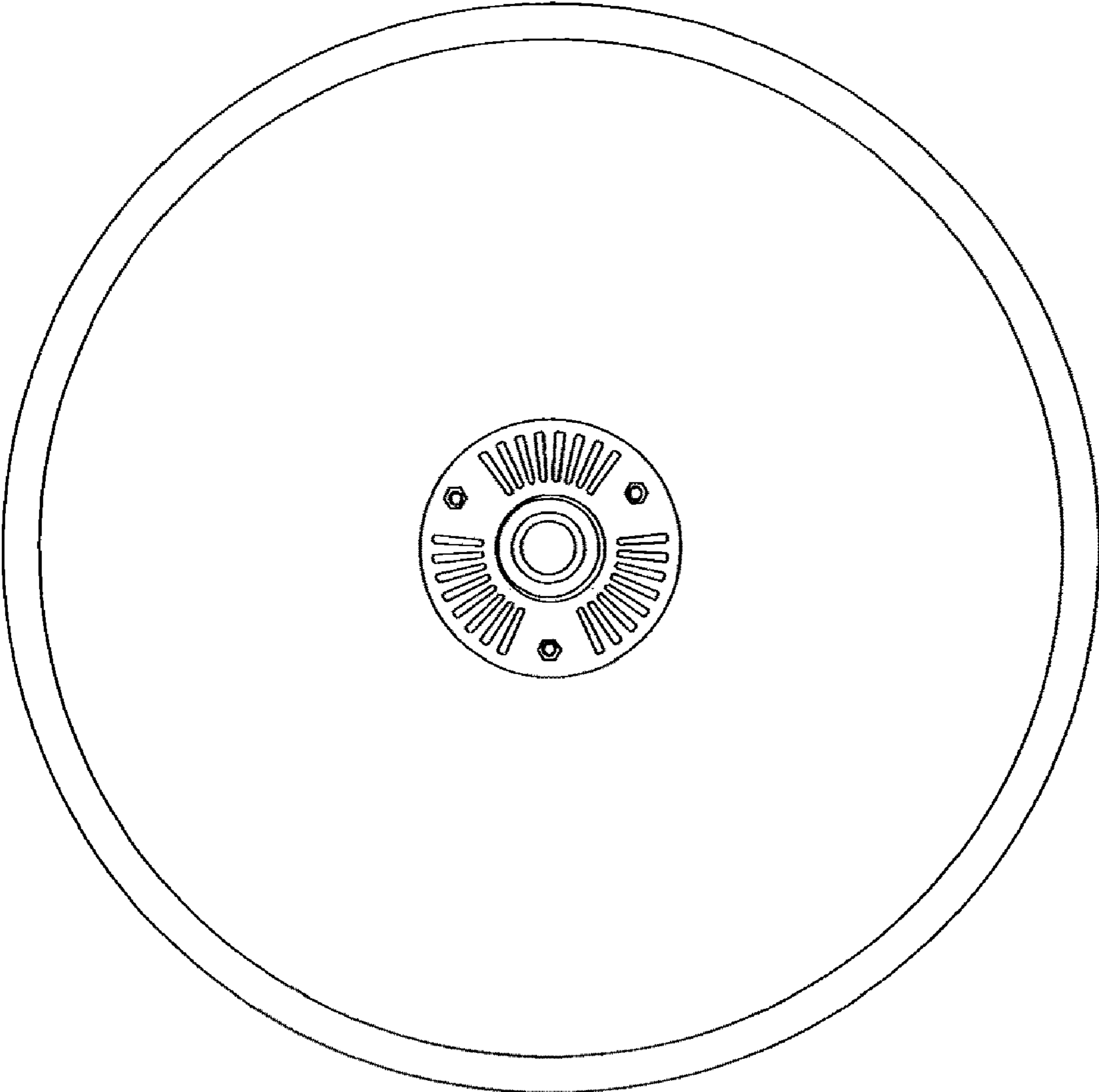


FIG. 3

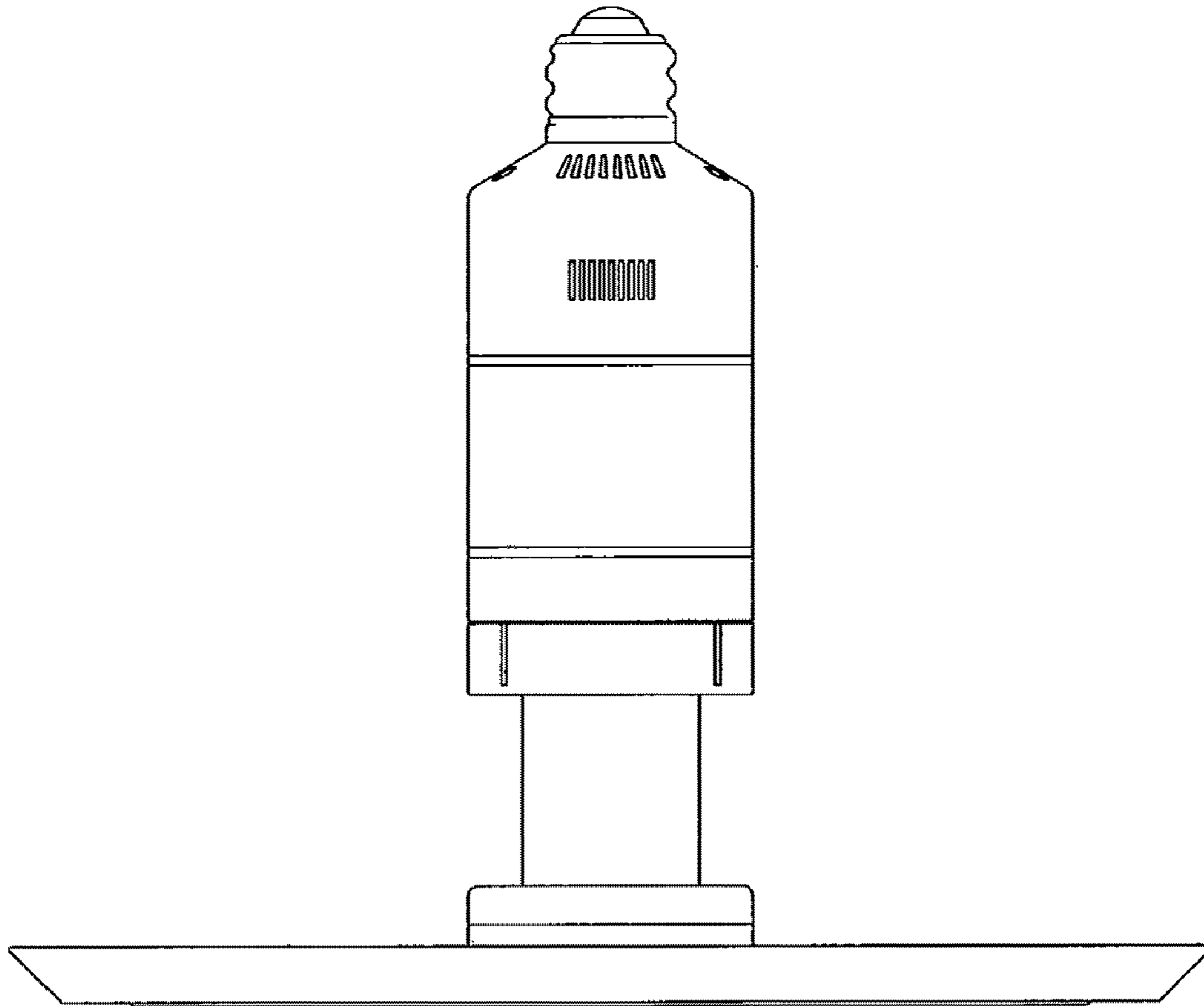


FIG. 4

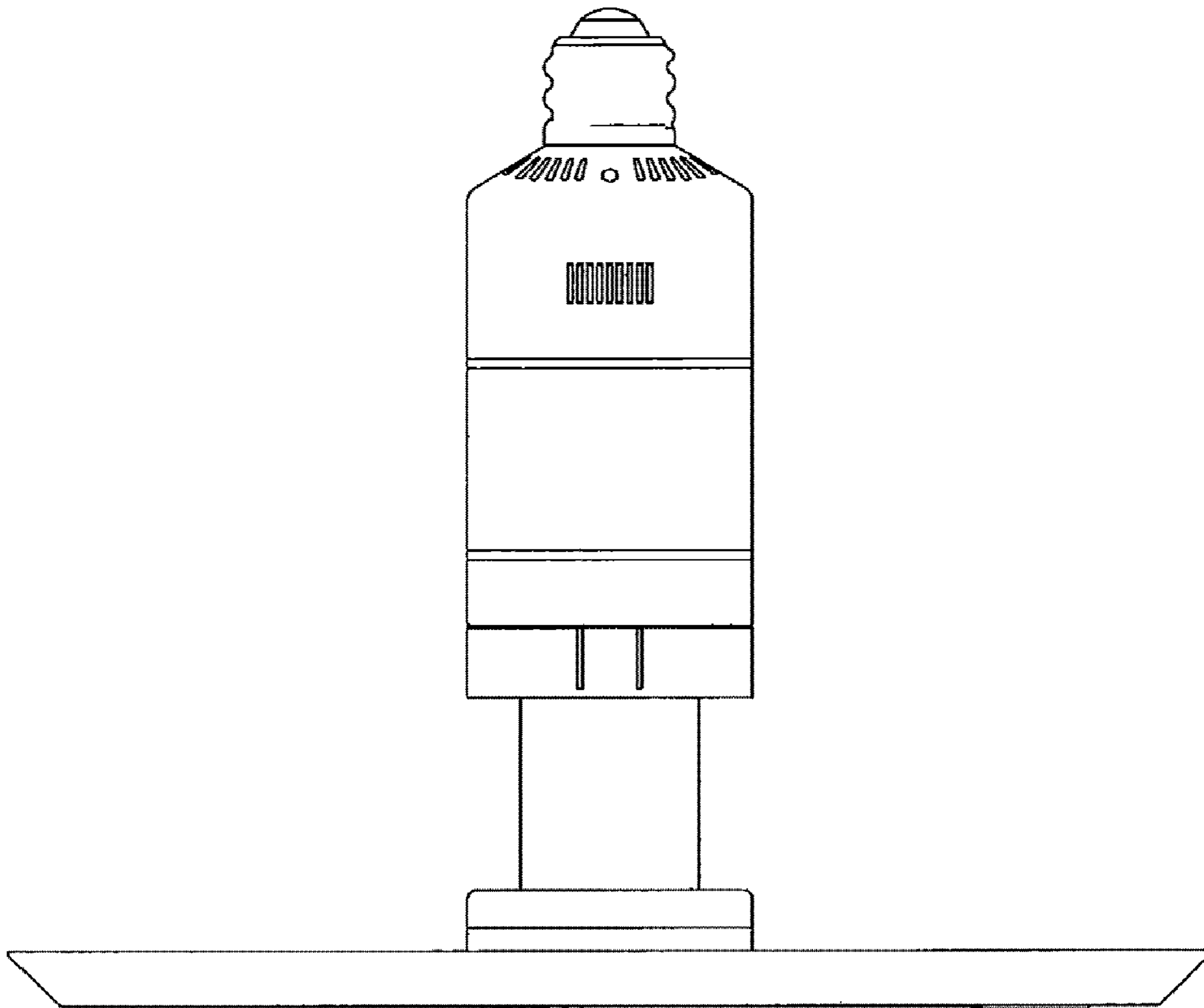


FIG. 5

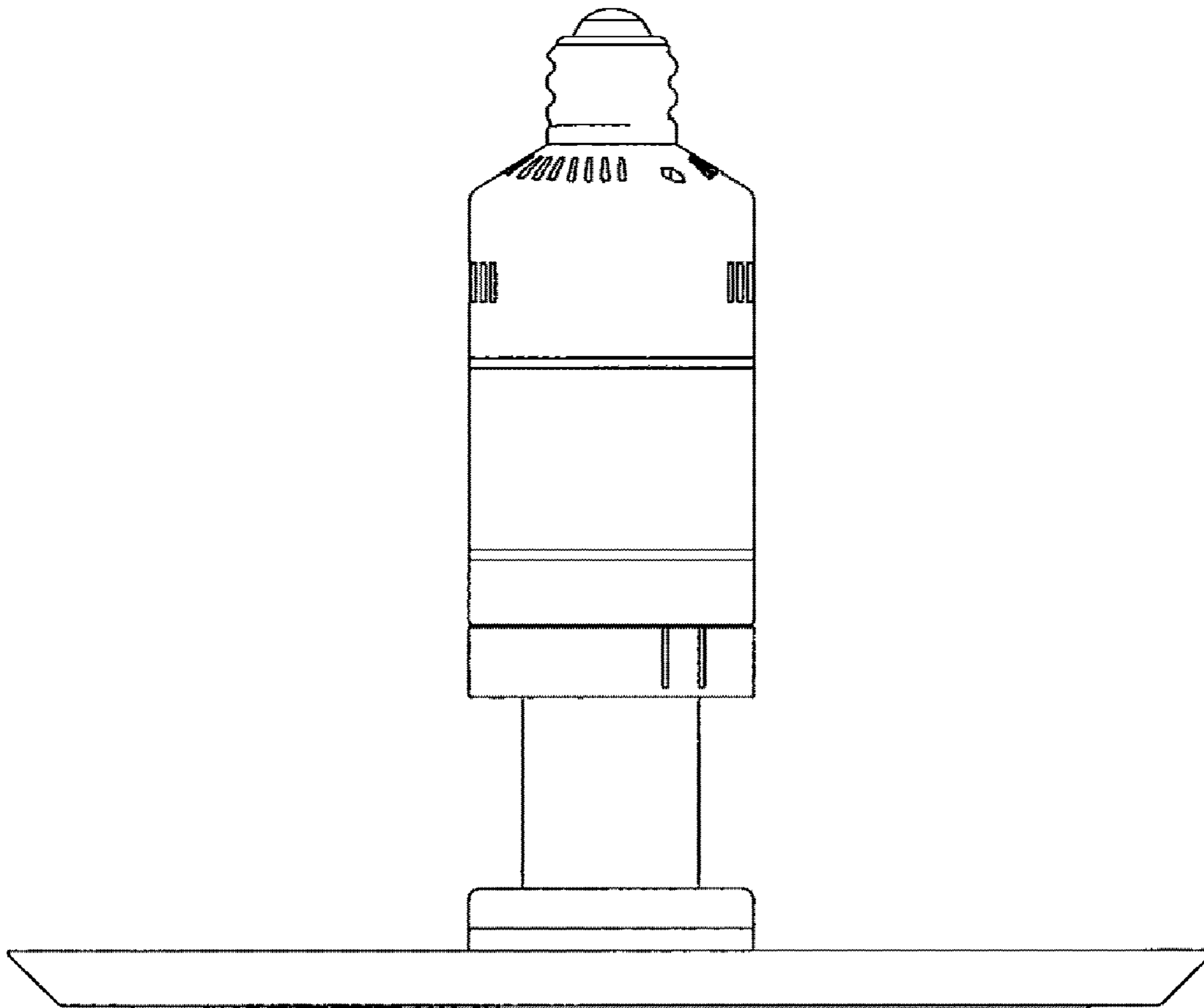


FIG. 6

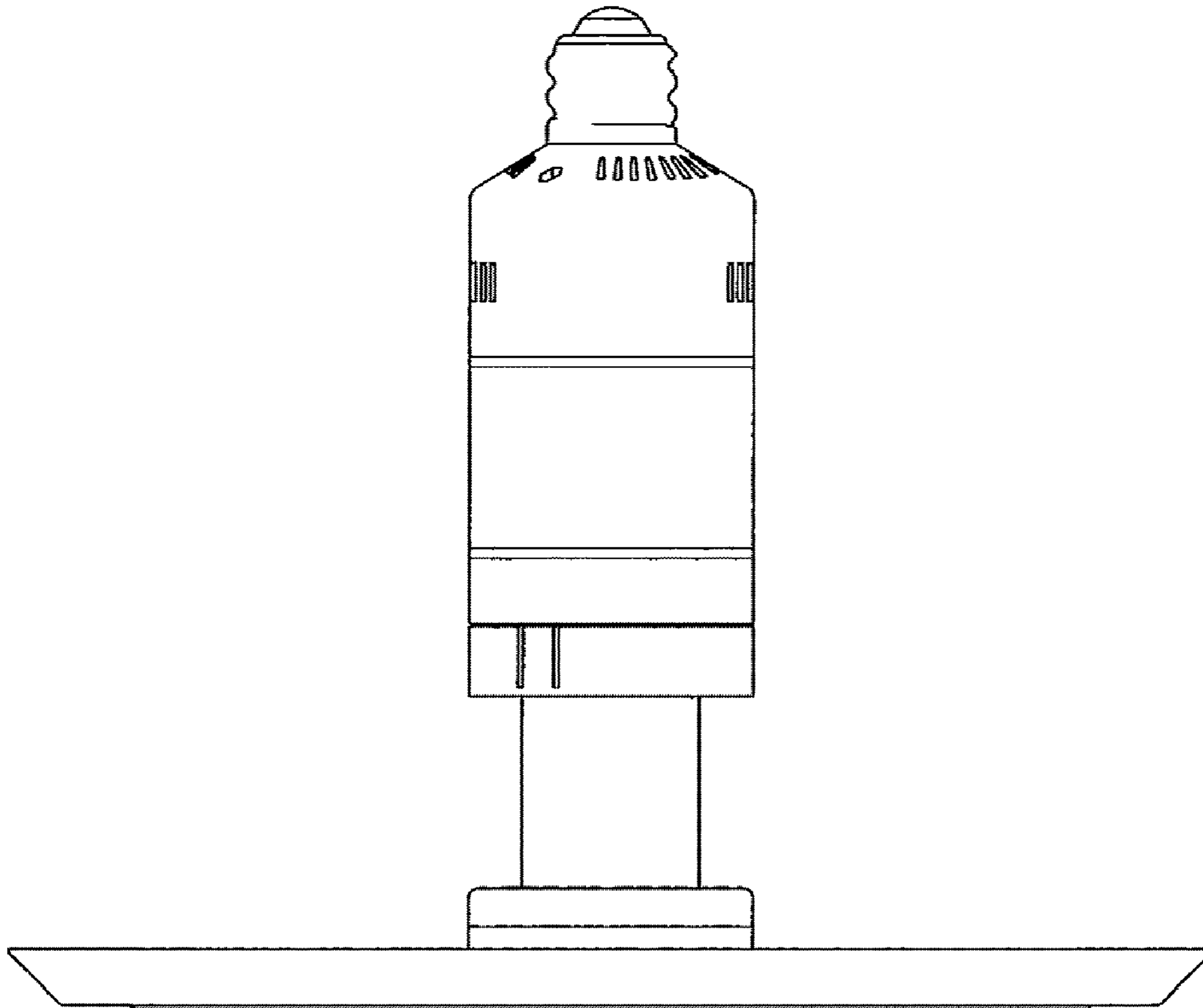


FIG. 7

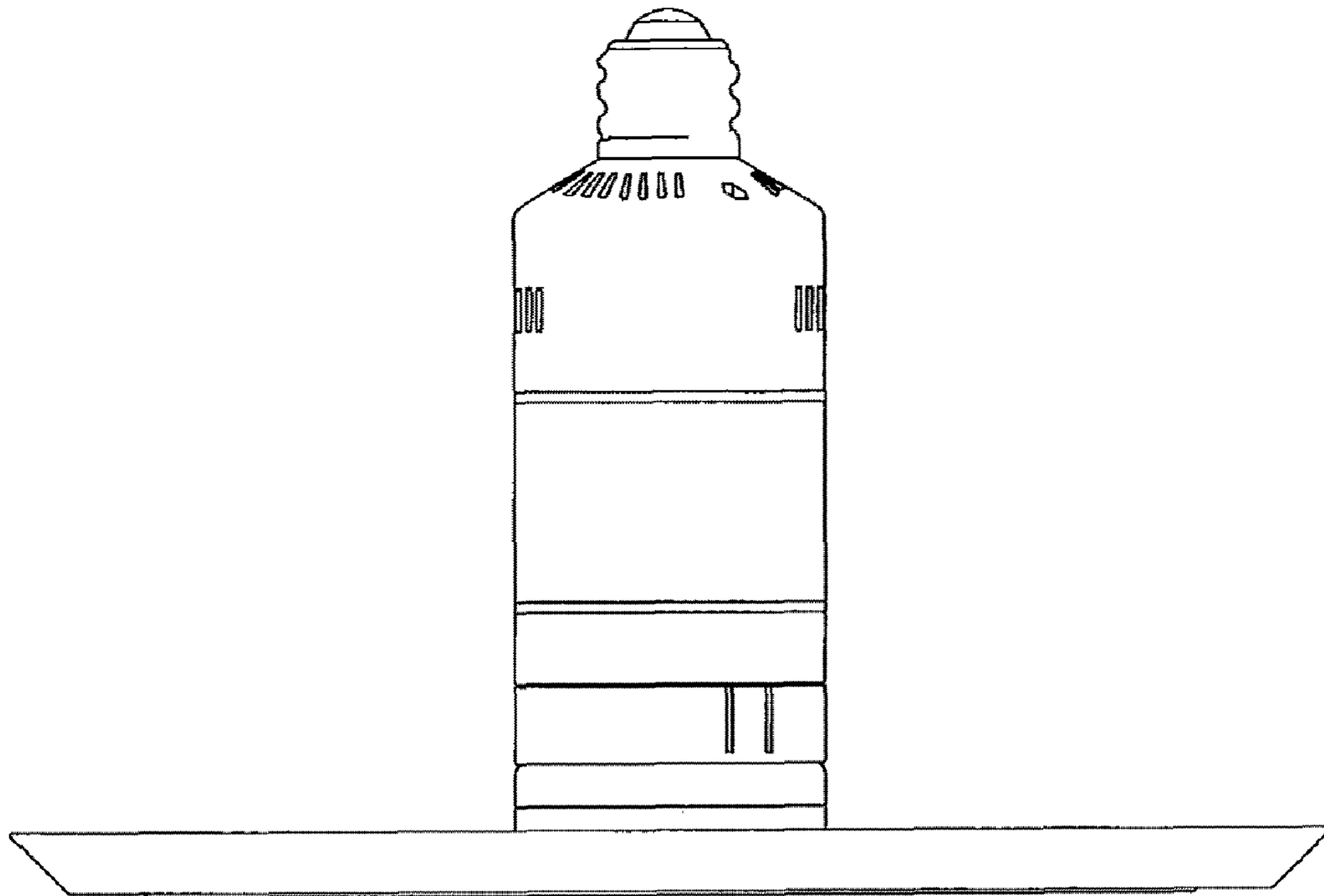


FIG. 8