



US00D641902S

(12) **United States Design Patent**  
**Chan**

(10) **Patent No.:** **US D641,902 S**  
(45) **Date of Patent:** **\*\* Jul. 19, 2011**

- (54) **ORCHESTRA LIGHT**
- (75) Inventor: **Wai Hong Chan**, Hong Kong (CN)
- (73) Assignee: **Gold Crest LLC**, Santa Barbara, CA (US)
- (\*\*) Term: **14 Years**
- (21) Appl. No.: **29/379,646**
- (22) Filed: **Nov. 22, 2010**
- (51) **LOC (9) Cl.** ..... **26-05**
- (52) **U.S. Cl.** ..... **D26/60; D26/62**
- (58) **Field of Classification Search** ..... D26/60-66,  
D26/106-109, 51; 362/98, 99, 396, 249.02,  
362/311.02, 800, 285, 413, 414, 418, 427,  
362/211-215, 217.01, 219, 220, 225, 217.02,  
362/217.03, 217.17, 640, 227, 232, 235-237,  
362/240, 249.03, 249.07, 267-284, 253,  
362/287, 288, 362, 368, 371, 372, 428, 33,  
362/145, 812, 394, 395, 86; 84/477  
See application file for complete search history.

6,680,844	B2	1/2004	Kim	
6,711,006	B2	3/2004	Chen	
6,749,314	B2	6/2004	Naghi et al.	
6,773,192	B1	8/2004	Chao	
6,808,289	B2	10/2004	Reed	
D498,322	S	11/2004	Schnell	
6,851,819	B2	2/2005	Naghi et al.	
D506,279	S	6/2005	Sirichai et al.	
6,921,284	B2	7/2005	Sirichai et al.	
7,004,596	B2	2/2006	Merrem	
D522,677	S *	6/2006	Ming .....	D26/60
D529,651	S	10/2006	Chan	
D562,485	S	2/2008	Brown	
7,541,692	B2	6/2009	Hirst et al.	
7,649,279	B2	1/2010	Lanni	
7,727,031	B2	6/2010	Lord	
2001/0043468	A1	11/2001	Krietzman et al.	

(Continued)

*Primary Examiner* — Susan M Lee  
*Assistant Examiner* — Linda Brooks  
(74) *Attorney, Agent, or Firm* — Tsircou Law, P.C.

(57) **CLAIM**  
I claim the ornamental design for an orchestra light, as shown and described.

**DESCRIPTION**

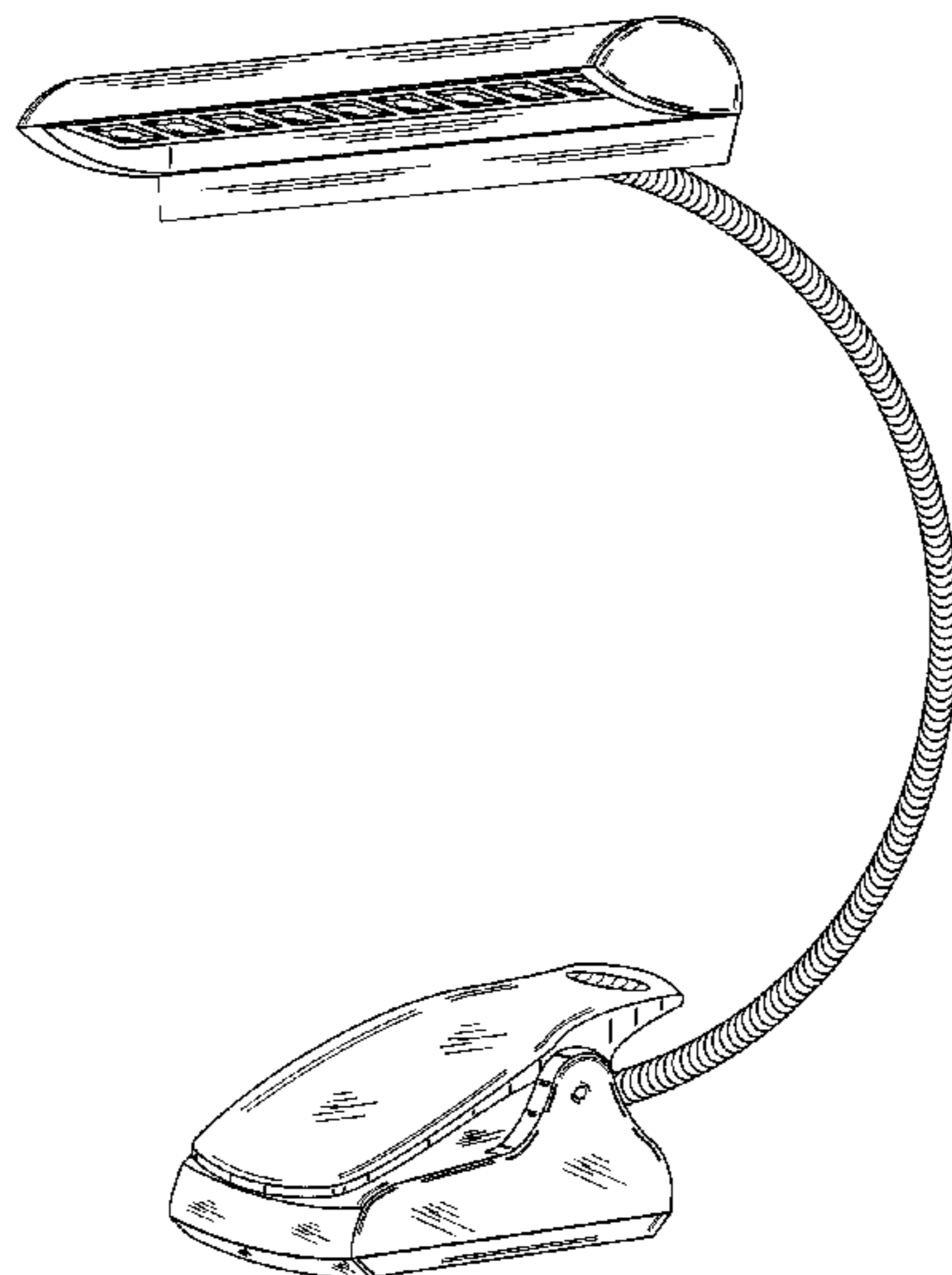
FIG. 1 a left elevational view of the orchestra light accordance with the new design  
FIG. 2 is a right elevational view of the orchestra light of FIG. 1.  
FIG. 3 is a front elevational view of the orchestra light of FIG. 1.  
FIG. 4 is a back elevational view of the orchestra light of FIG. 1.  
FIG. 5 is a top view of the orchestra light of FIG. 1.  
FIG. 6 is a bottom view of the orchestra light of FIG. 1; and, FIG. 7 is a front perspective view of the orchestra light of FIG. 1.  
The dashed lines depict environmental aspects and form no part of the claimed design.

**1 Claim, 4 Drawing Sheets**

(56) **References Cited**

U.S. PATENT DOCUMENTS

4,432,042	A	2/1984	Zeller	
D283,056	S	3/1986	Ansems	
D301,753	S	6/1989	Iacovelli	
D328,358	S *	7/1992	Tsang .....	D26/62
D397,468	S	8/1998	Zeller	
5,822,546	A	10/1998	George	
D418,240	S	12/1999	Sherman	
D427,703	S	7/2000	Chan	
D435,679	S	12/2000	Naghi et al.	
6,172,884	B1	1/2001	Lanni	
D448,104	S	9/2001	Weitzman et al.	
6,361,184	B1	3/2002	Hallgrimsson et al.	
D456,923	S *	5/2002	Konig .....	D26/60
6,386,724	B2	5/2002	Naghi	
6,465,987	B1	10/2002	Haas et al.	
D476,106	S	6/2003	Kim	
6,586,849	B2	7/2003	Tarr	



# US D641,902 S

Page 2

---

## U.S. PATENT DOCUMENTS

2001/0048409 A1 12/2001 Kim  
2002/0186563 A1 12/2002 Krietzman et al.  
2003/0223228 A1 12/2003 Krietzman  
2004/0017677 A1 1/2004 Krietzman

2004/0042735 A1 3/2004 Ma  
2004/0090795 A1 5/2004 Kim  
2005/0083677 A1 4/2005 Krietzman  
2006/0109620 A1 5/2006 Kim

\* cited by examiner

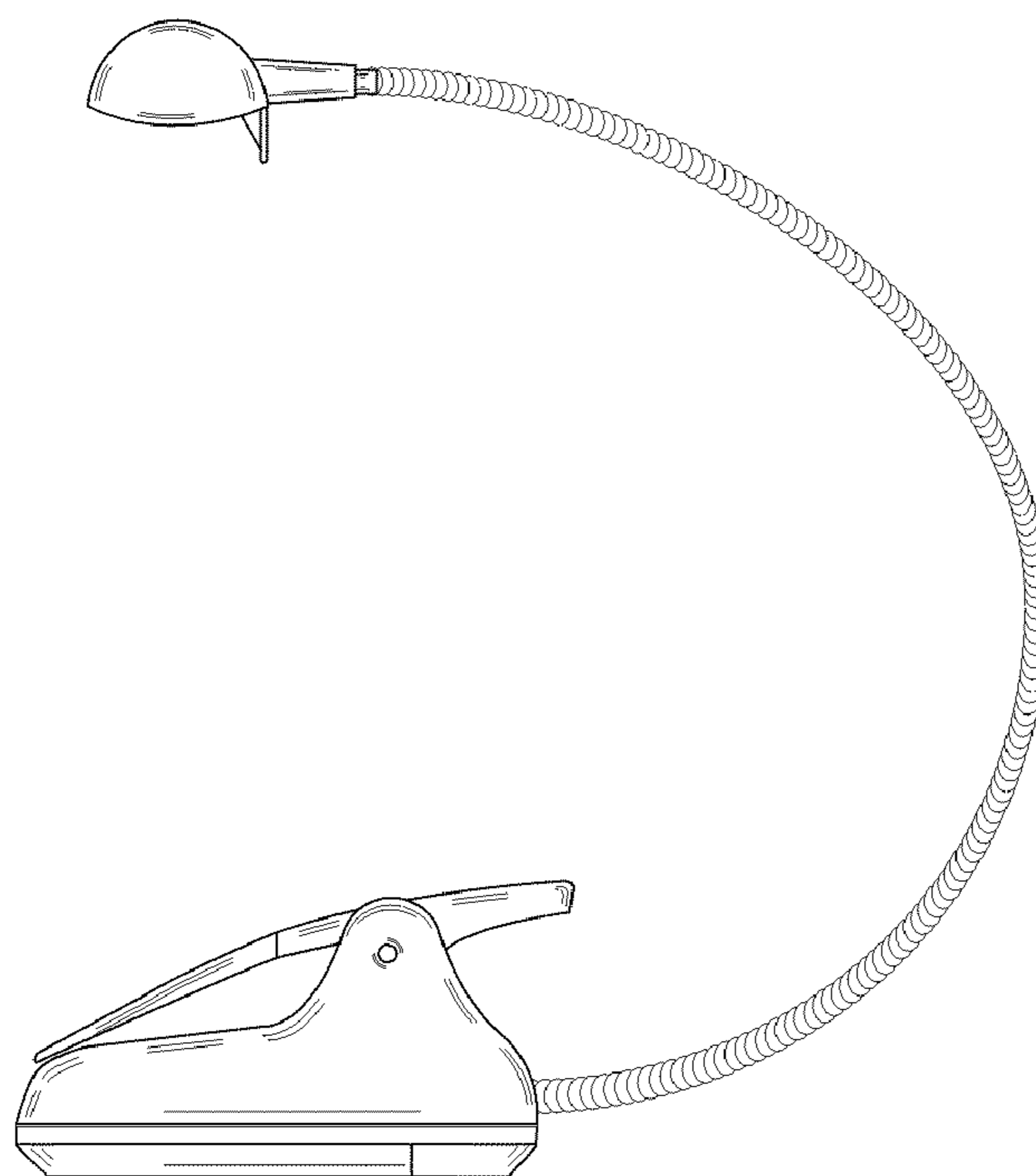


FIG. 1

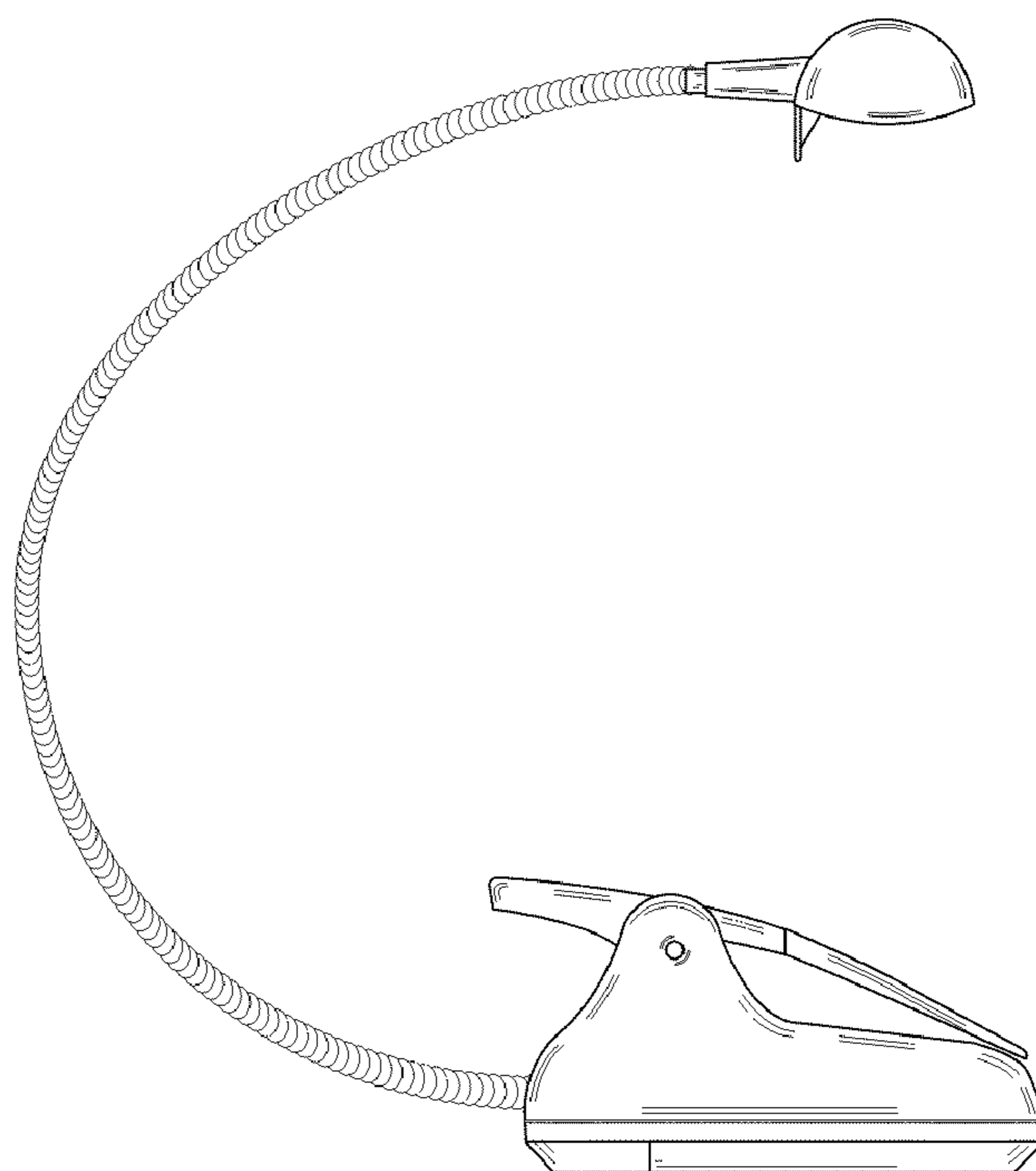


FIG. 2

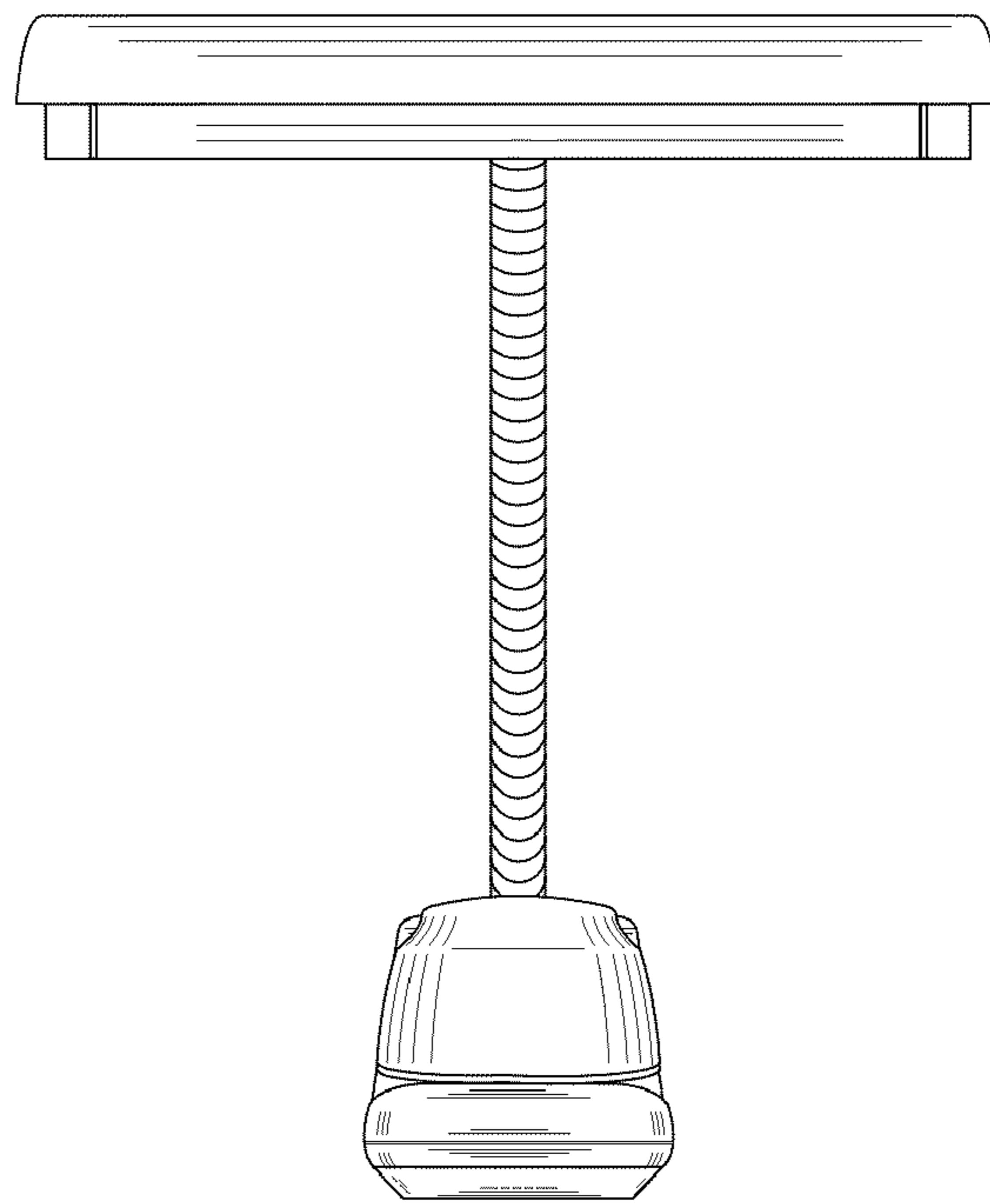


FIG. 3

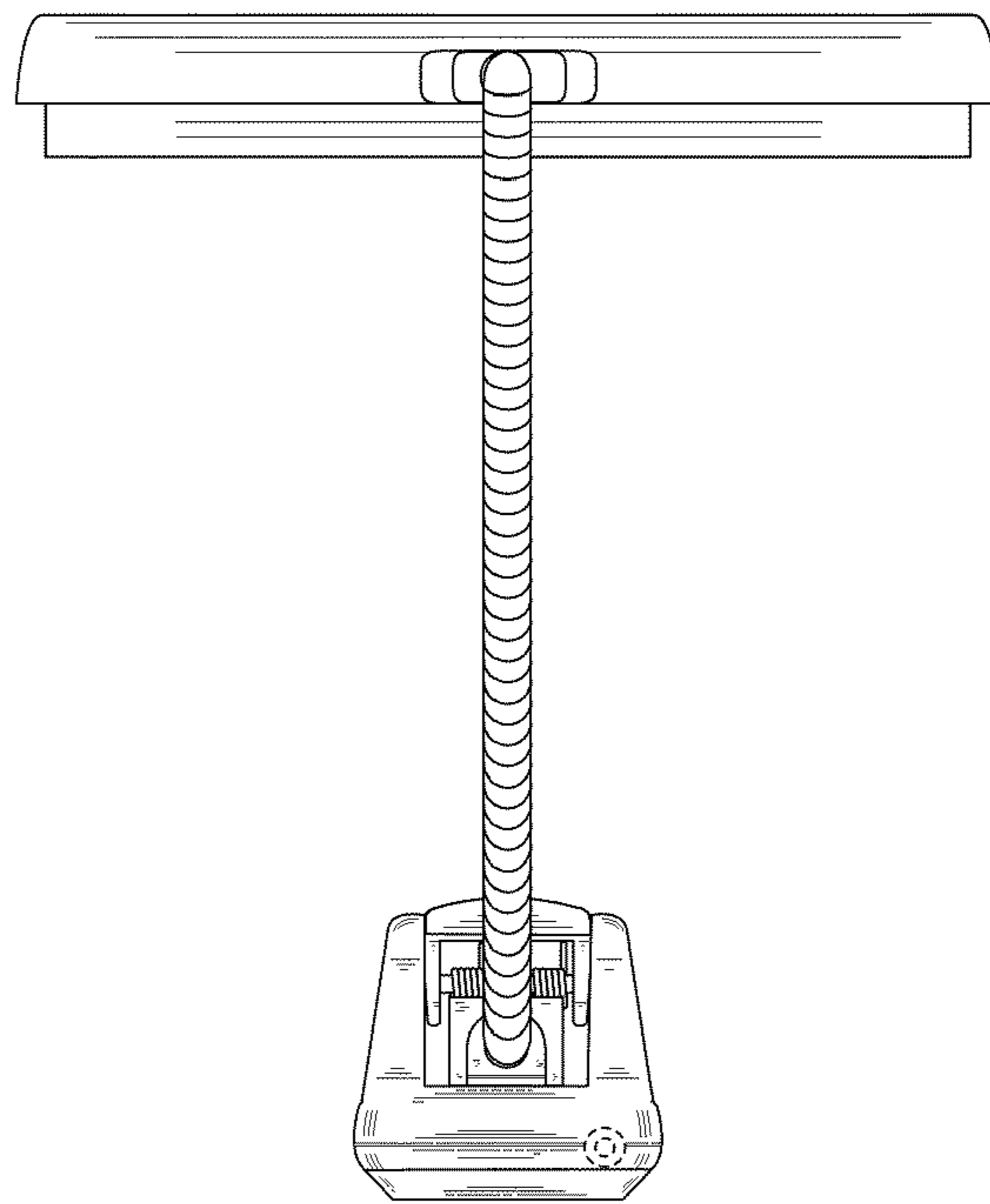


FIG. 4

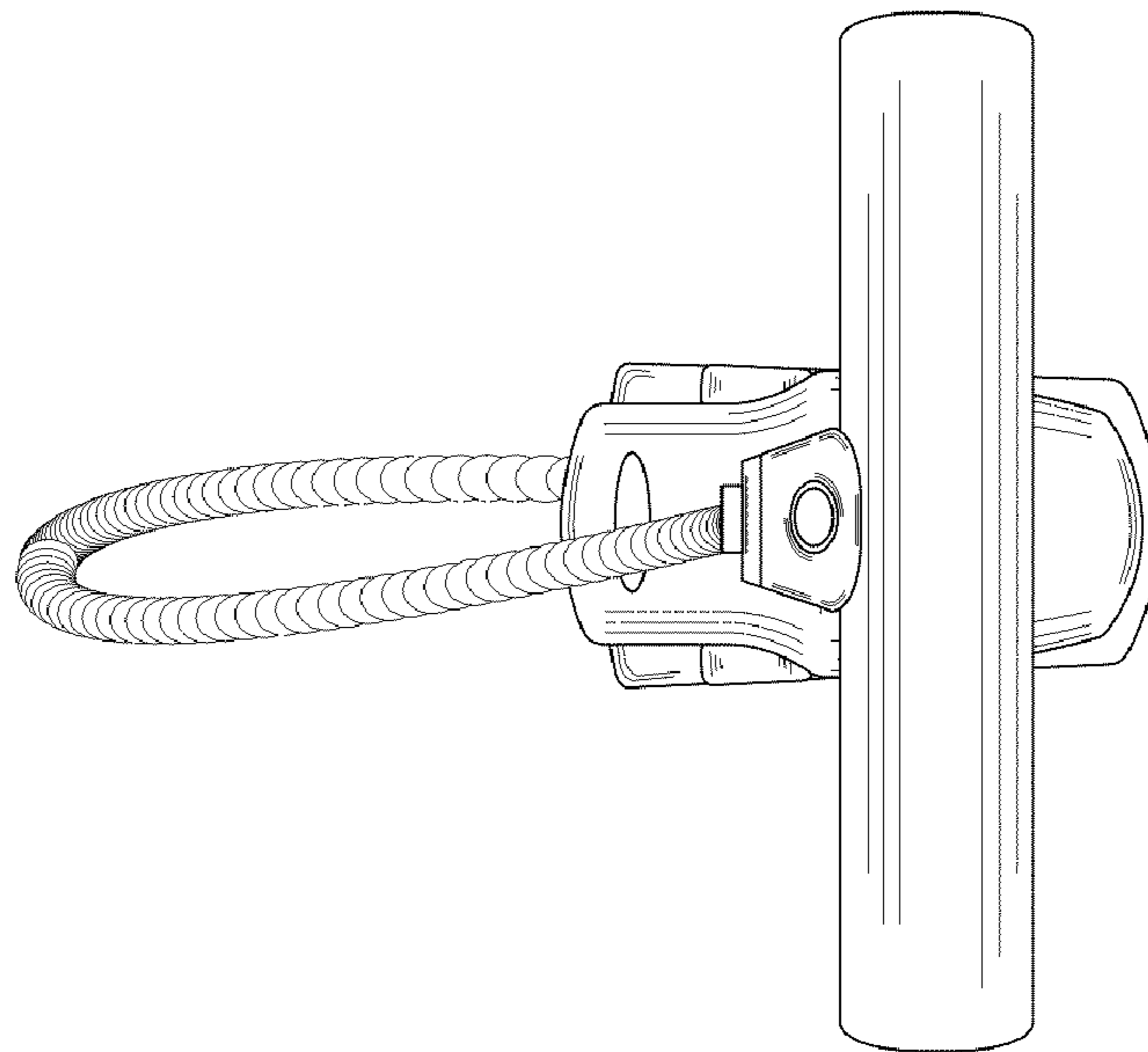


FIG. 5

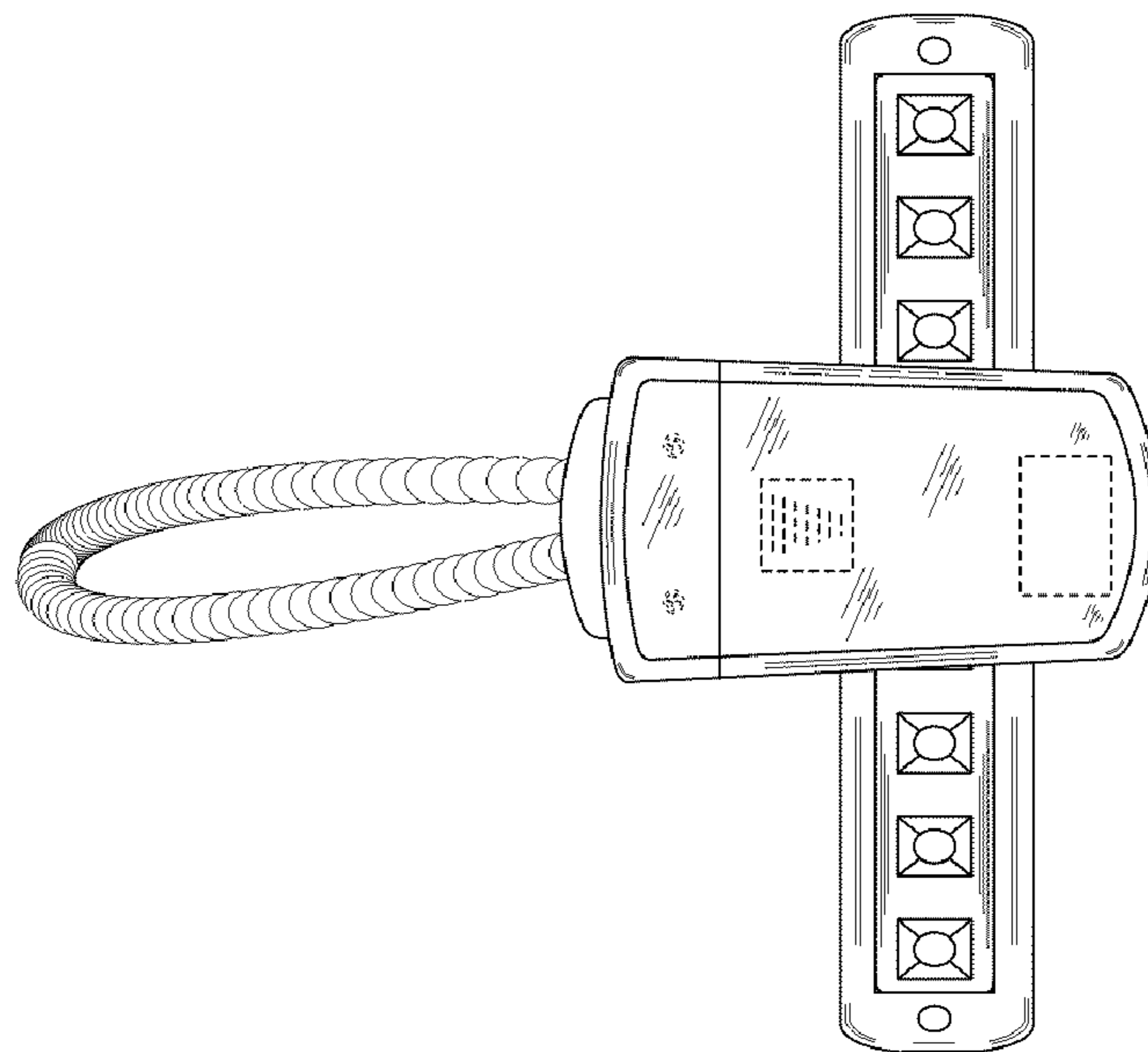


FIG. 6

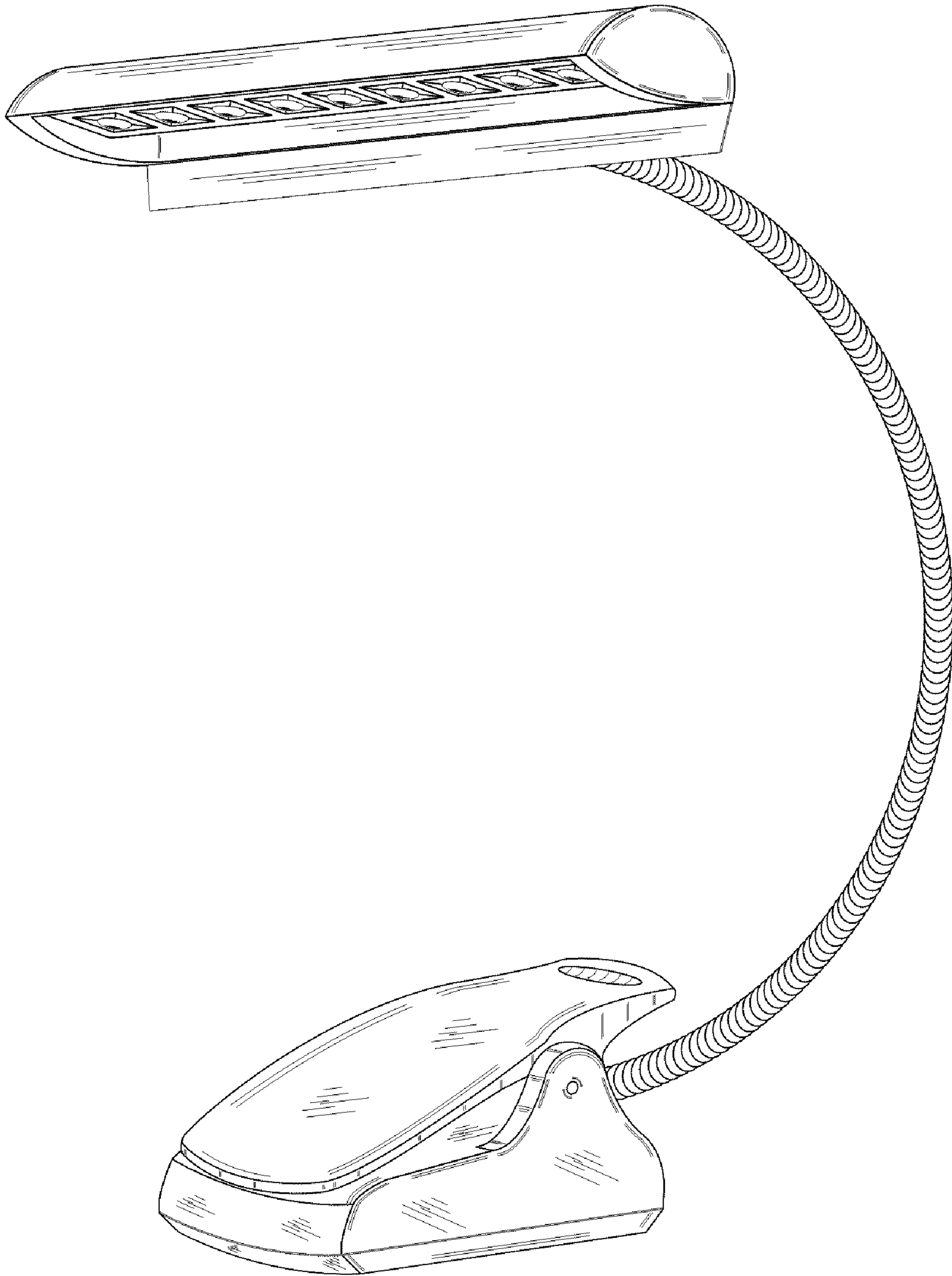


FIG. 7