



US00D641896S

(12) **United States Design Patent**  
**Weiser**

(10) **Patent No.:** **US D641,896 S**  
(45) **Date of Patent:** **\*\* Jul. 19, 2011**

(54) **ULTRASONIC PEST REPELLER NIGHT LIGHT WITH TRANSPARENT ARCH**

D498,009 S \* 11/2004 Donnelly et al. .... D26/26  
D524,458 S \* 7/2006 Chan ..... D26/26  
D618,828 S \* 6/2010 Choi ..... D26/26

(75) Inventor: **Margaret Weiser**, Chatsworth, CA (US)

**FOREIGN PATENT DOCUMENTS**

(73) Assignee: **Exhart Environmental Systems Inc.**,  
Chatsworth, CA (US)

CN 300846907 \* 11/2008

\* cited by examiner

(\*\*) Term: **14 Years**

*Primary Examiner* — Angela Lee

(74) *Attorney, Agent, or Firm* — Cislo & Thomas, LLP

(21) Appl. No.: **29/376,636**

(57) **CLAIM**

(22) Filed: **Oct. 8, 2010**

The ornamental design for a ultrasonic pest repeller night light with transparent arch, as shown and described.

(51) **LOC (9) Cl.** ..... **26-05**

(52) **U.S. Cl.** ..... **D26/26; D22/120**

(58) **Field of Classification Search** ..... D26/26,  
D26/24, 37, 38, 57, 73, 94, 98, 101; D10/110,  
D10/114; D22/120, 122, 123; D21/315,  
D21/318, 650, 712, 713, 780, 788; D11/119,  
D11/137, 139, 144, 162; 362/640, 641, 642,  
362/643, 644, 652, 653, 657, 658, 659, 563,  
362/567, 122, 124, 183, 805, 806  
See application file for complete search history.

**DESCRIPTION**

FIG. 1 is a perspective view of the ultrasonic pest repeller night light with transparent arch.

FIG. 2 is a front view of the ultrasonic pest repeller night light with transparent arch.

FIG. 3 is a rear view of the ultrasonic pest repeller night light with transparent arch.

FIG. 4 is a right side view of the ultrasonic pest repeller night light with transparent arch.

FIG. 5 is a left side view of the ultrasonic pest repeller night light with transparent arch.

FIG. 6 is a top view of the ultrasonic pest repeller night light with transparent arch; and,

FIG. 7 is a bottom view of the ultrasonic pest repeller night light with transparent arch.

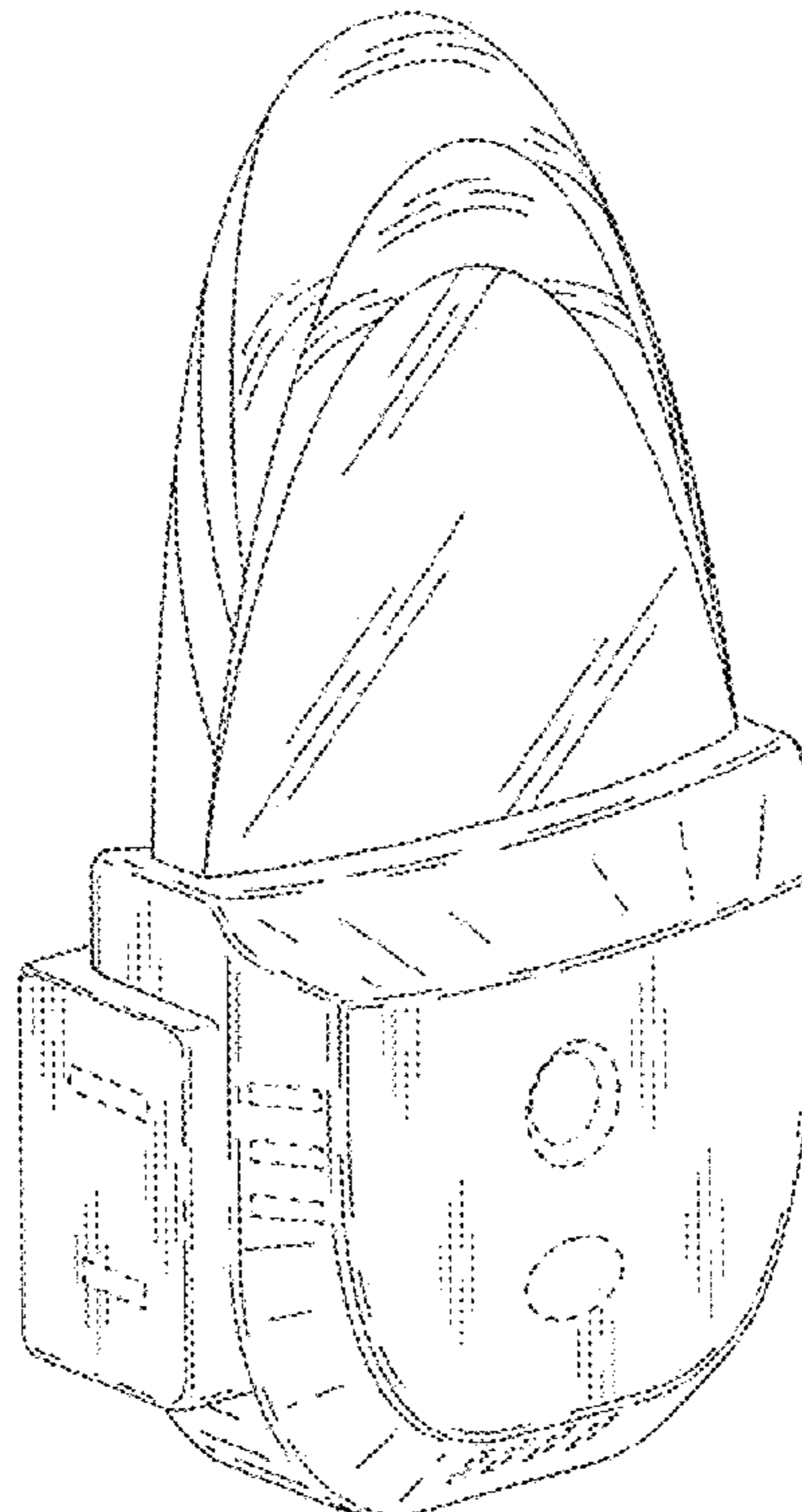
The portions of the night light shown in broken lines form no part of the claimed design.

(56) **References Cited**

**U.S. PATENT DOCUMENTS**

6,022,128 A \* 2/2000 Chi ..... 362/276  
D428,166 S \* 7/2000 Veach et al. .... D26/26  
D428,167 S \* 7/2000 Veach et al. .... D26/26  
D428,168 S \* 7/2000 Veach et al. .... D26/26  
D460,573 S \* 7/2002 Gee, II ..... D26/26  
D468,461 S \* 1/2003 Yu ..... D26/26  
D476,428 S \* 6/2003 Stekelenburg ..... D26/26

**1 Claim, 2 Drawing Sheets**



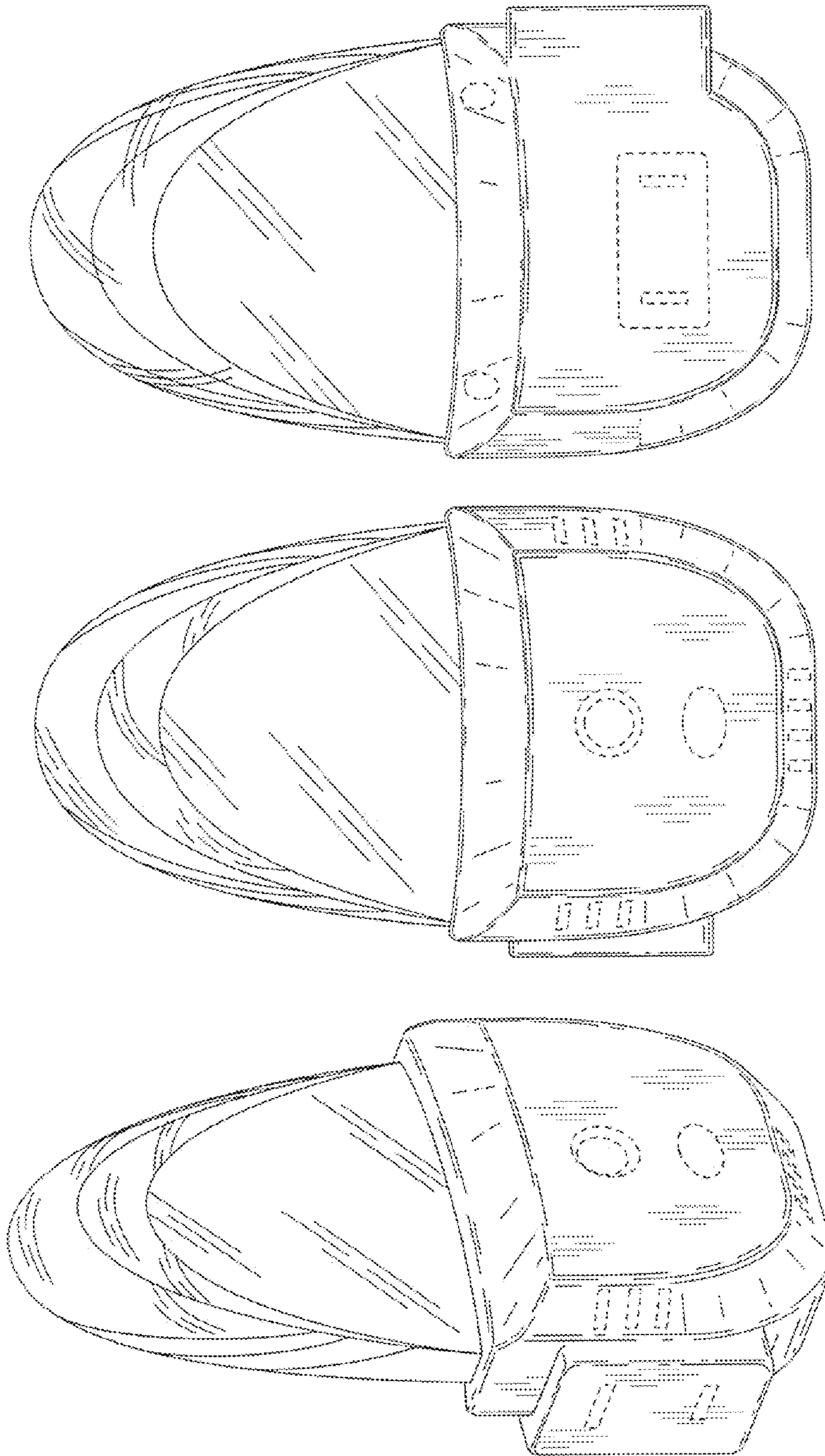


Fig. 3

Fig. 2

Fig. 1

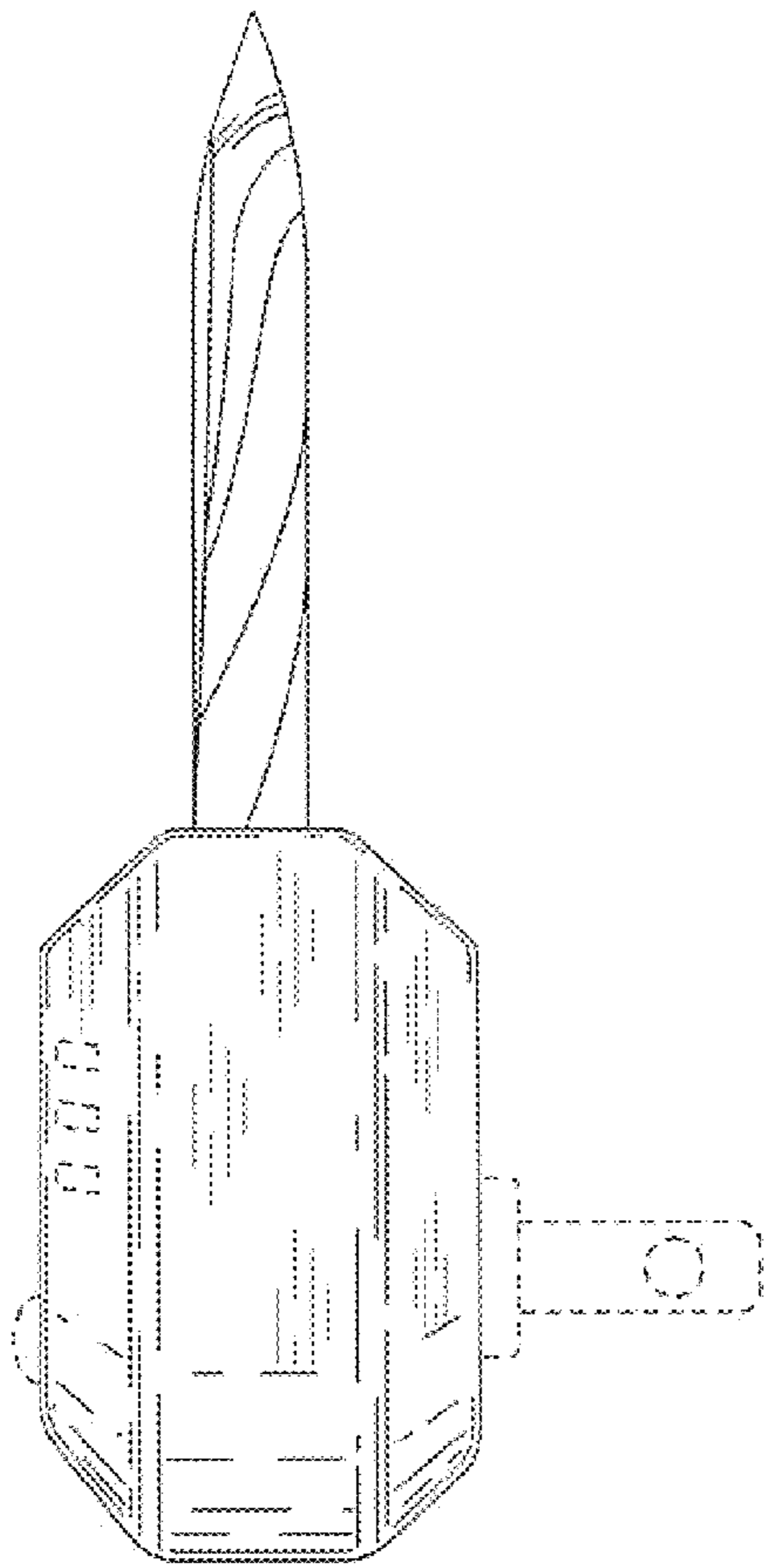


Fig. 4

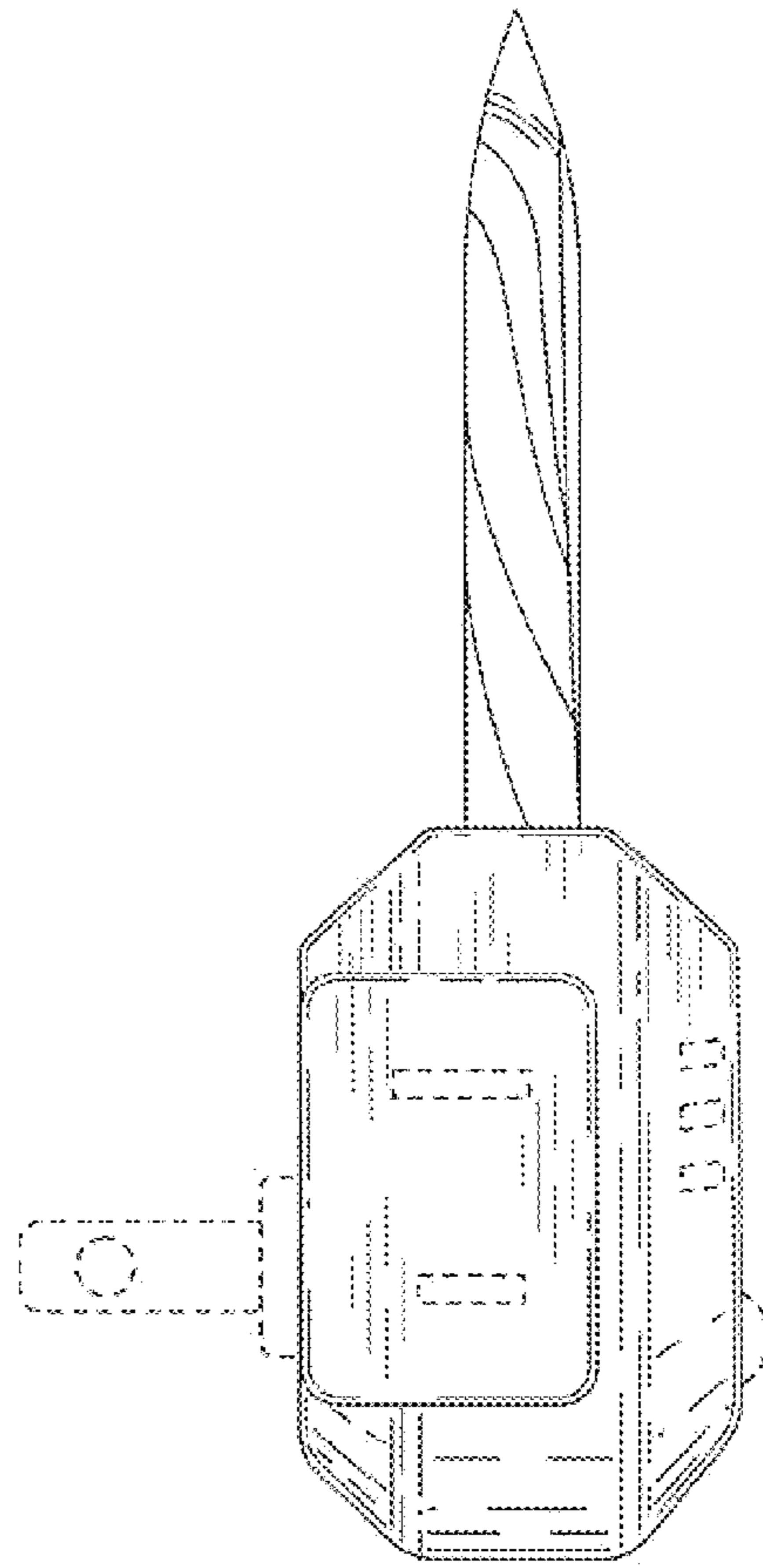


Fig. 5

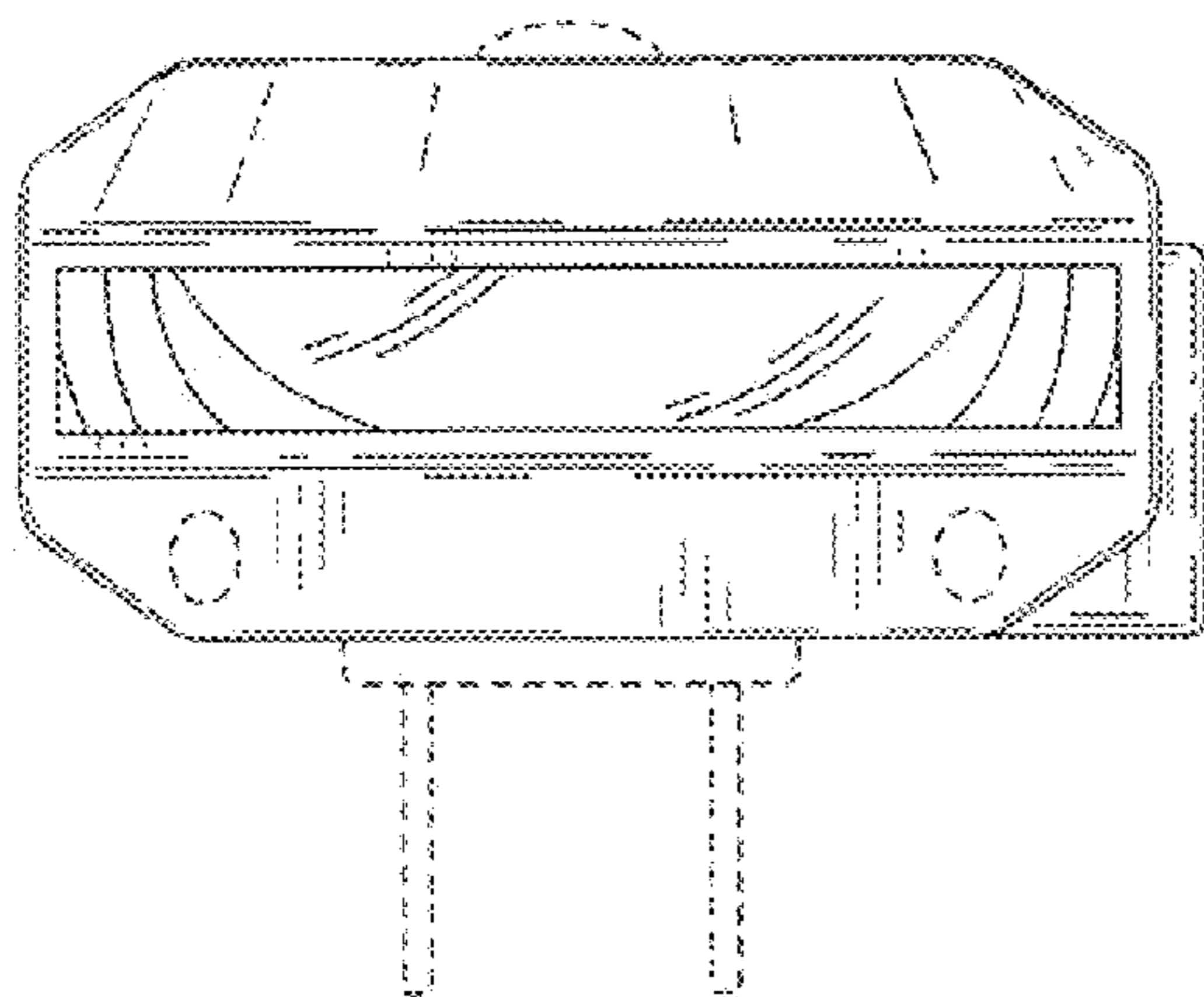


Fig. 6

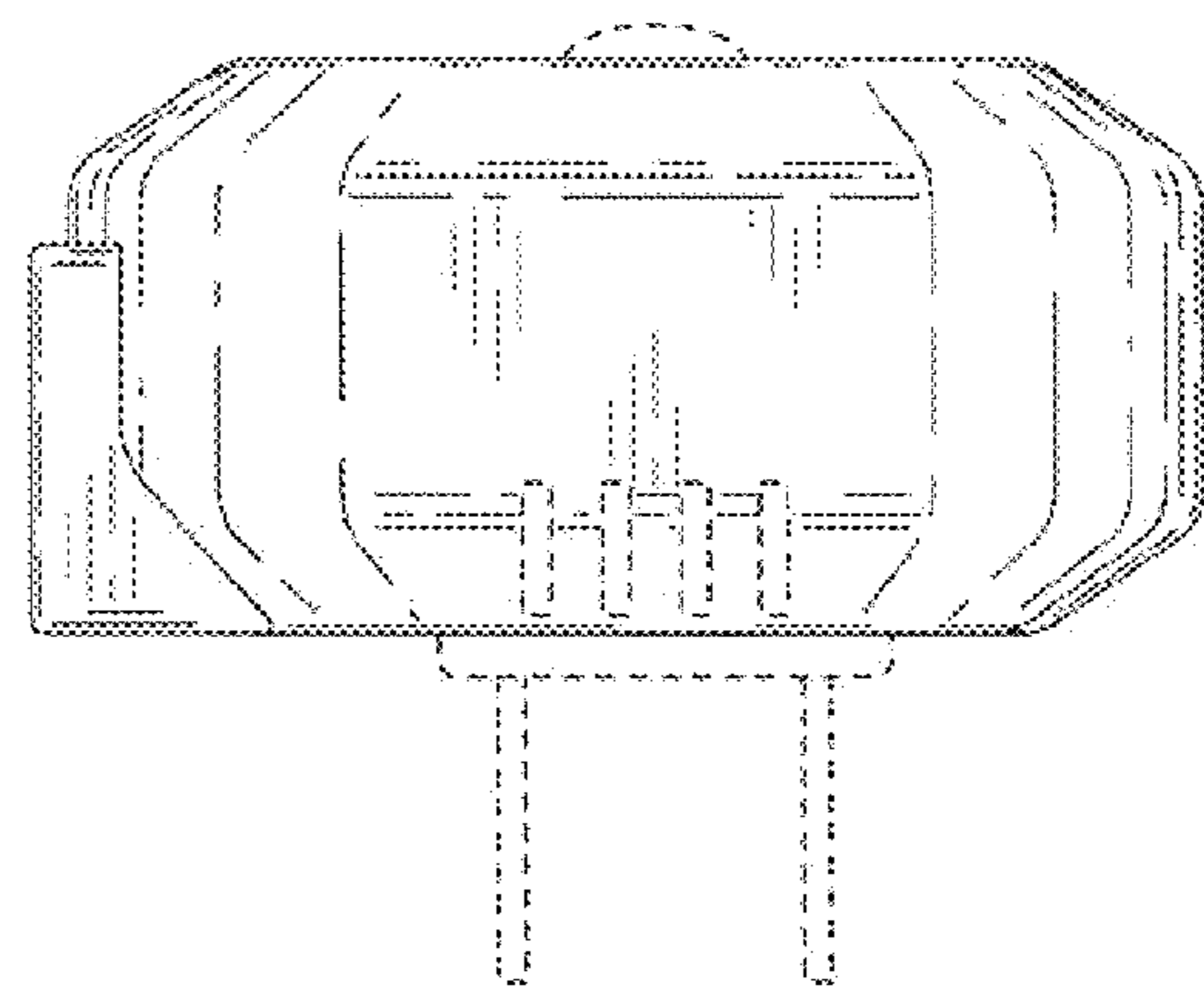


Fig. 7