



US00D641895S

(12) **United States Design Patent**
Huang

(10) **Patent No.:** **US D641,895 S**

(45) **Date of Patent:** **** Jul. 19, 2011**

(54) **LED LIGHT BULB**

(75) Inventor: **David Huang**, Taipei (TW)

(73) Assignee: **Liquidleds Lighting Corp.**, Shilin Dist.
Taipei (TW)

(**) Term: **14 Years**

(21) Appl. No.: **29/372,943**

(22) Filed: **Feb. 8, 2011**

(51) **LOC (9) Cl.** **26-04**

(52) **U.S. Cl.** **D26/3**

(58) **Field of Classification Search** D26/1-4;
313/313, 315, 316, 317, 318, 493; 315/52,
315/53, 56, 57, 58

See application file for complete search history.

(56) **References Cited**

U.S. PATENT DOCUMENTS

D272,000 S * 12/1983 Nanba et al. D26/3
D284,793 S * 7/1986 Engel D26/3

D289,798 S * 5/1987 Joosten D26/3
D302,733 S * 8/1989 Sangen et al. D26/3
D383,224 S * 9/1997 Sangen et al. D26/3

* cited by examiner

Primary Examiner — Marcus Jackson

(74) *Attorney, Agent, or Firm* — Charles E. Baxley

(57) **CLAIM**

The ornamental design for an LED light bulb, as shown and described.

DESCRIPTION

FIG. 1 is a perspective view of an LED light bulb showing my new design;

FIG. 2 is a front view thereof;

FIG. 3 is a rear view thereof;

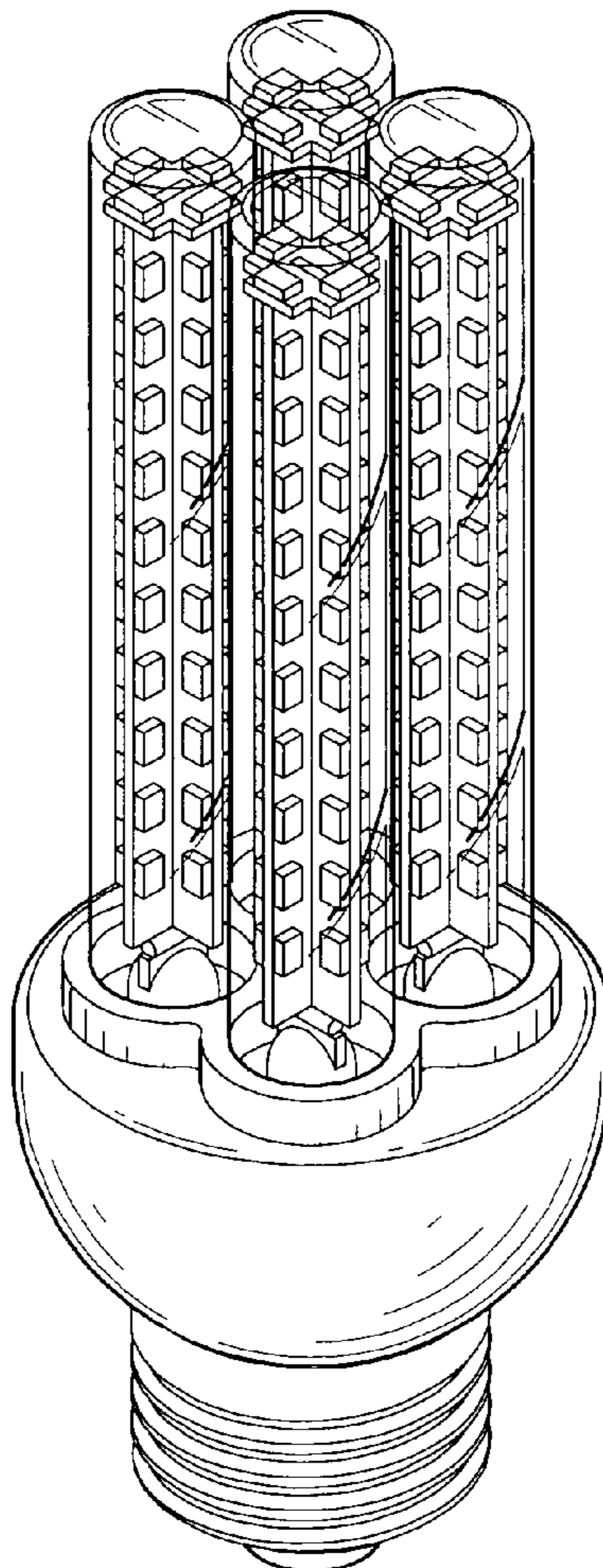
FIG. 4 is a left view thereof;

FIG. 5 is a right view thereof;

FIG. 6 is a top view thereof; and,

FIG. 7 is a bottom view thereof.

1 Claim, 6 Drawing Sheets



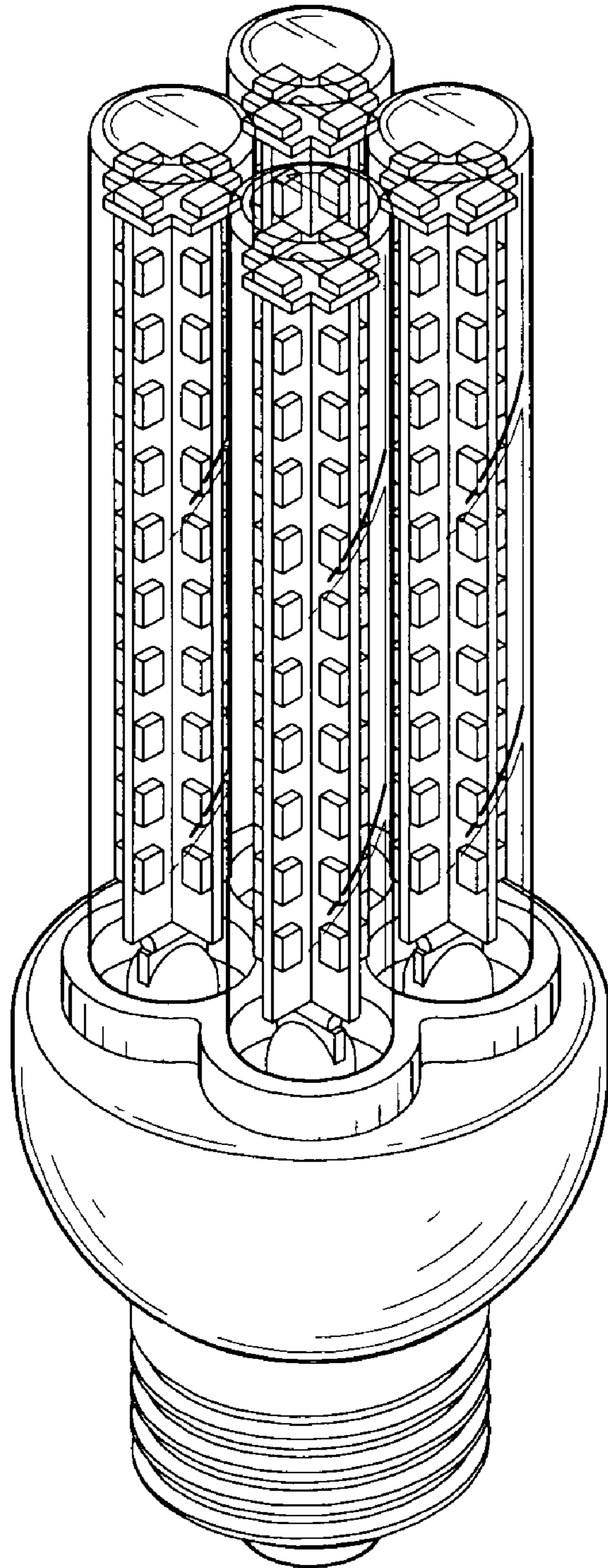


FIG. 1

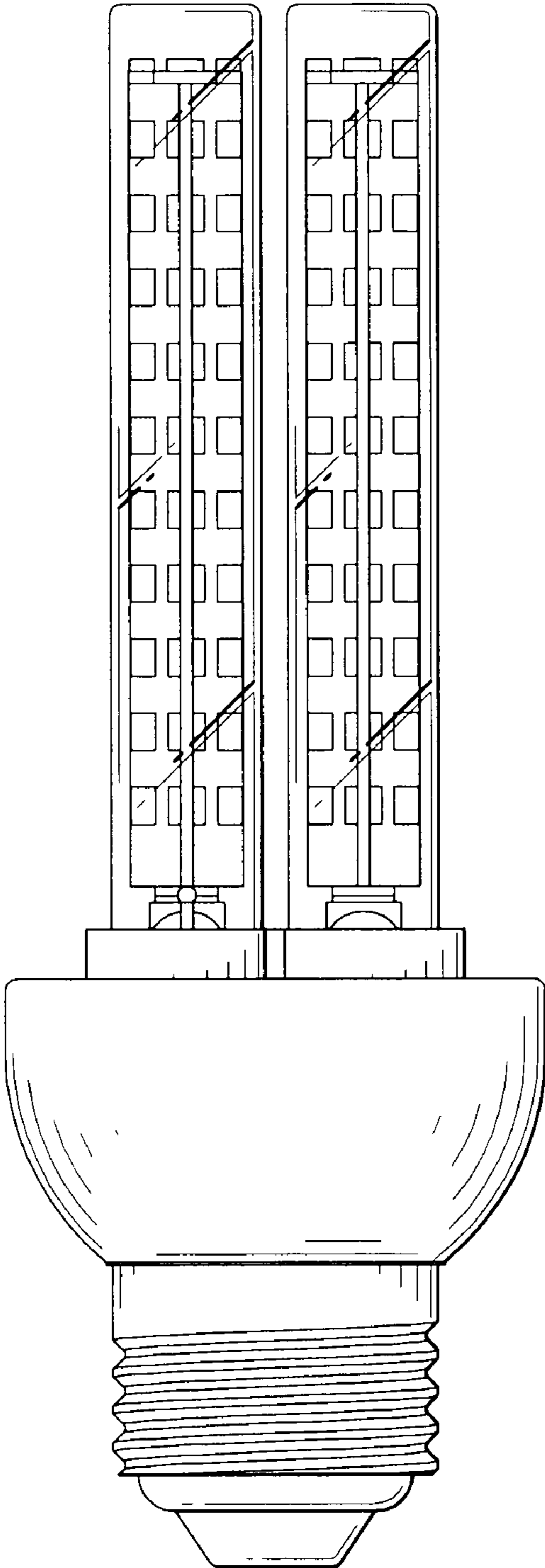


FIG. 2

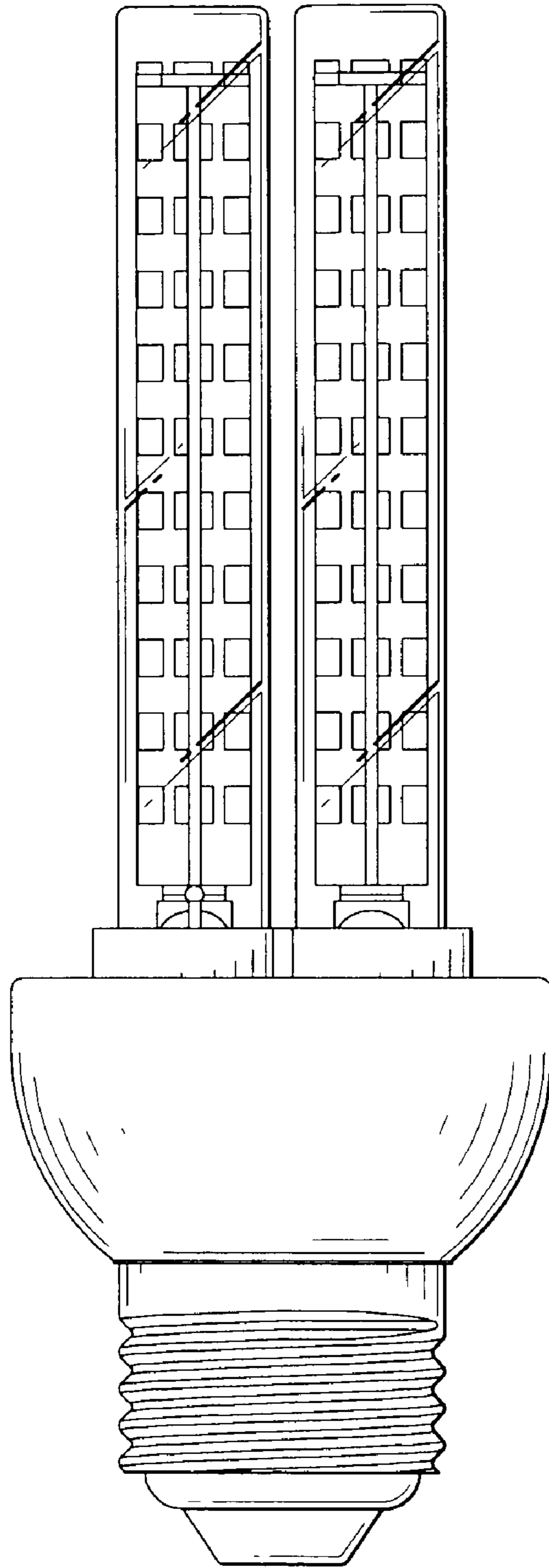


FIG. 3

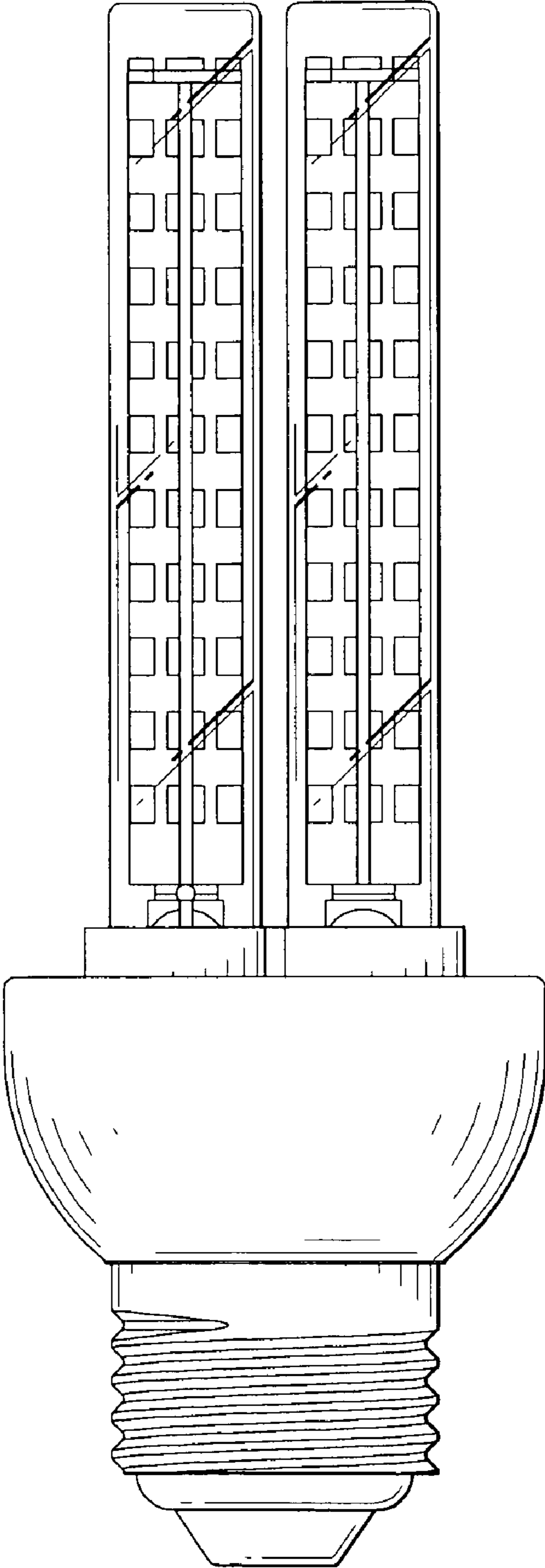


FIG. 4

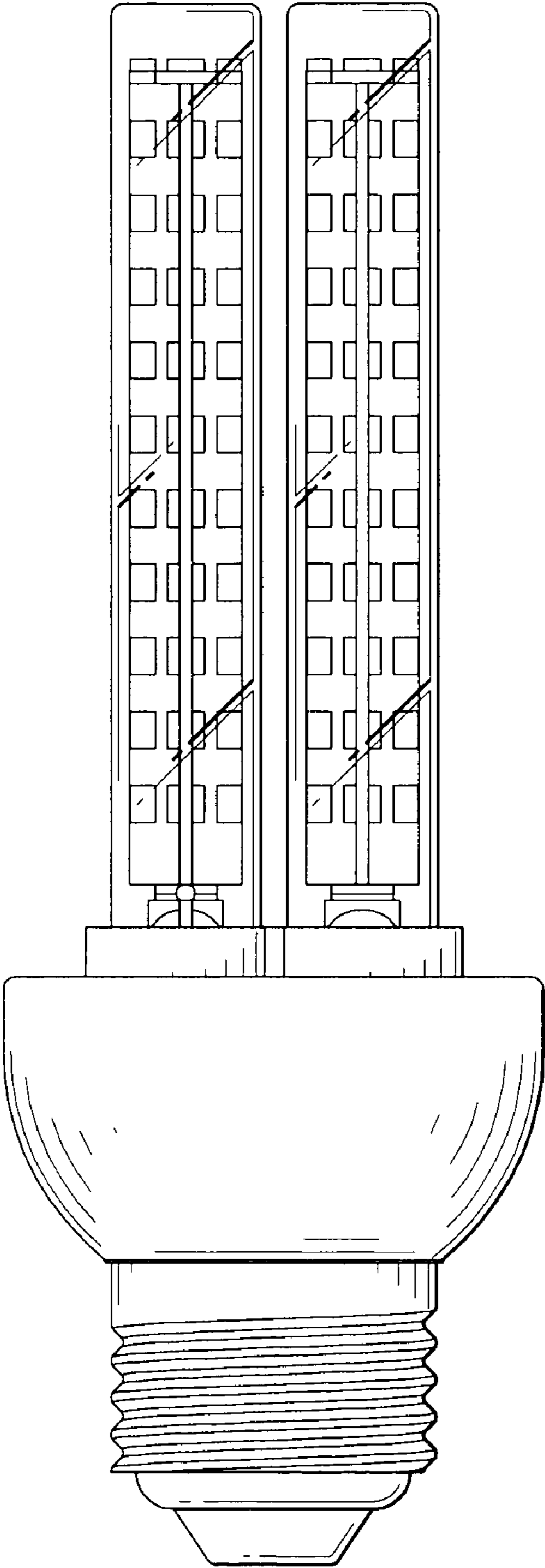


FIG. 5

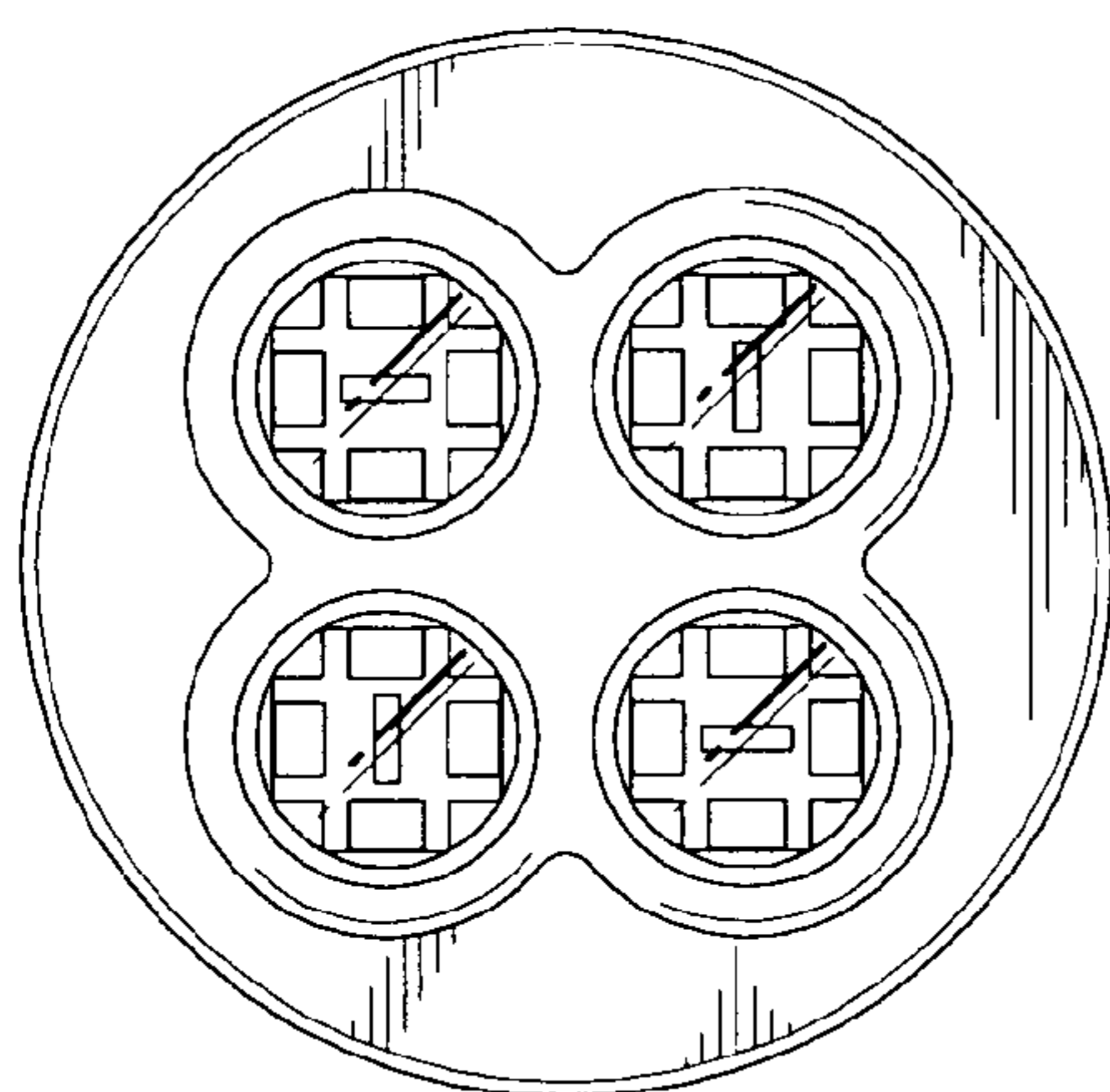


FIG. 6

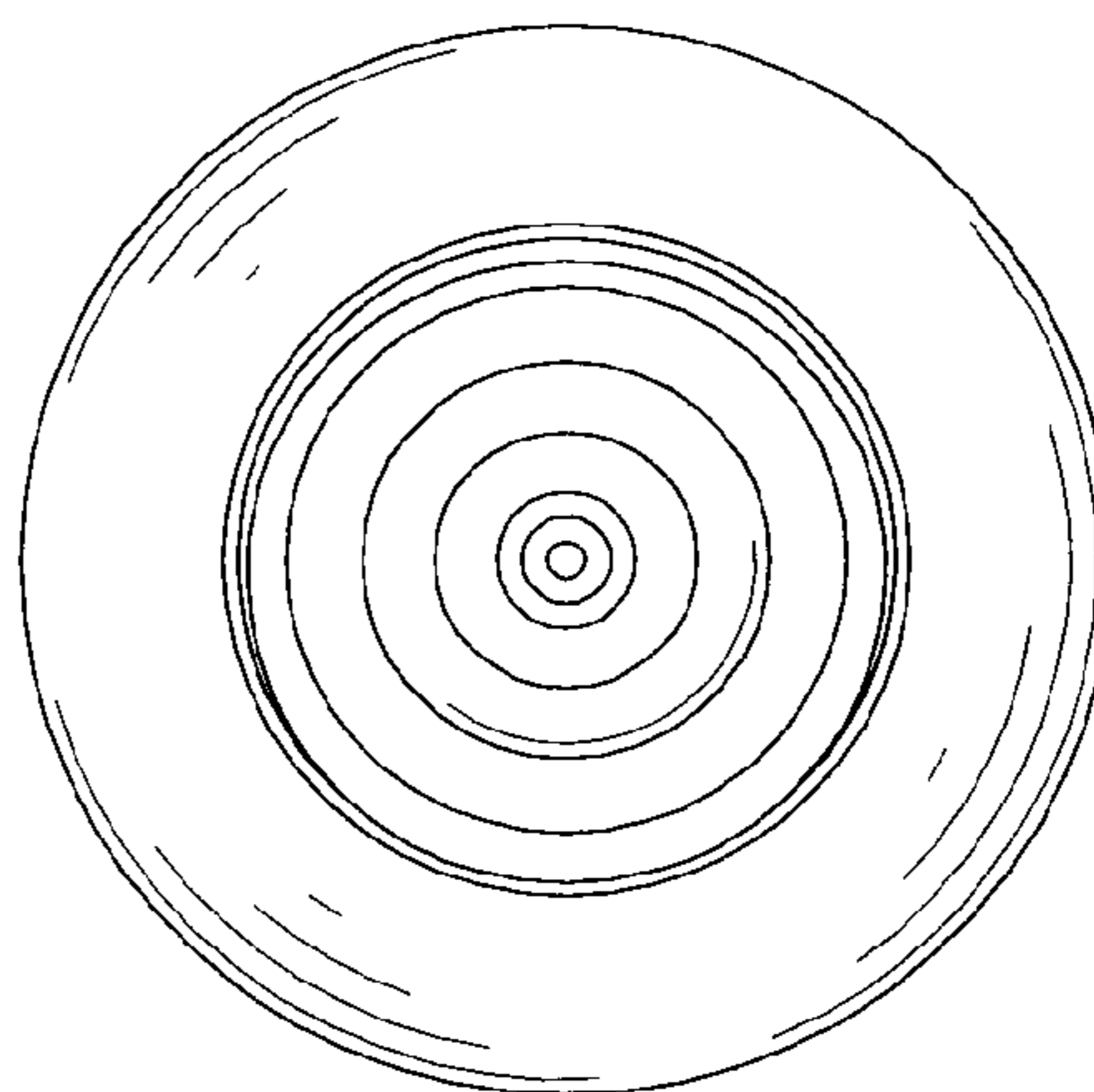


FIG. 7