



US00D641894S

(12) **United States Design Patent**
Bragg

(10) **Patent No.:** **US D641,894 S**

(45) **Date of Patent:** **** Jul. 19, 2011**

(54) **ROOF AND WALL PANEL**

(75) Inventor: **Rick A. Bragg**, Battle Creek, MI (US)

(73) Assignee: **Humanscale Corporation**, New York, NY (US)

(**) Term: **14 Years**

(21) Appl. No.: **29/381,477**

(22) Filed: **Dec. 20, 2010**

(51) **LOC (9) Cl.** **25-01**

(52) **U.S. Cl.** **D25/141**

(58) **Field of Classification Search** D25/141;
52/536, 588.1, 478, 519, 526, 541, 544, 592.1,
52/520

See application file for complete search history.

(56) **References Cited**

U.S. PATENT DOCUMENTS

4,109,437	A *	8/1978	Player et al.	52/536
5,165,213	A *	11/1992	Finch et al.	52/588.1
6,088,983	A *	7/2000	Applebee	52/282.1
D613,429	S *	4/2010	Knepp et al.	D25/141
2003/0106277	A1 *	6/2003	Heusel	52/536

* cited by examiner

Primary Examiner — Doris Clark

(74) *Attorney, Agent, or Firm* — Jones, Walker, Waechter, Poitevent, Carrere & Denegre, L.L.P.

(57) **CLAIM**

We claim the ornamental design for a roof and wall panel, as shown and described.

DESCRIPTION

FIG. 1 is a top, right side perspective view of a roof and wall panel embodying the present invention;

FIG. 2 is a top, left side perspective view of the roof and wall panel of FIG. 1;

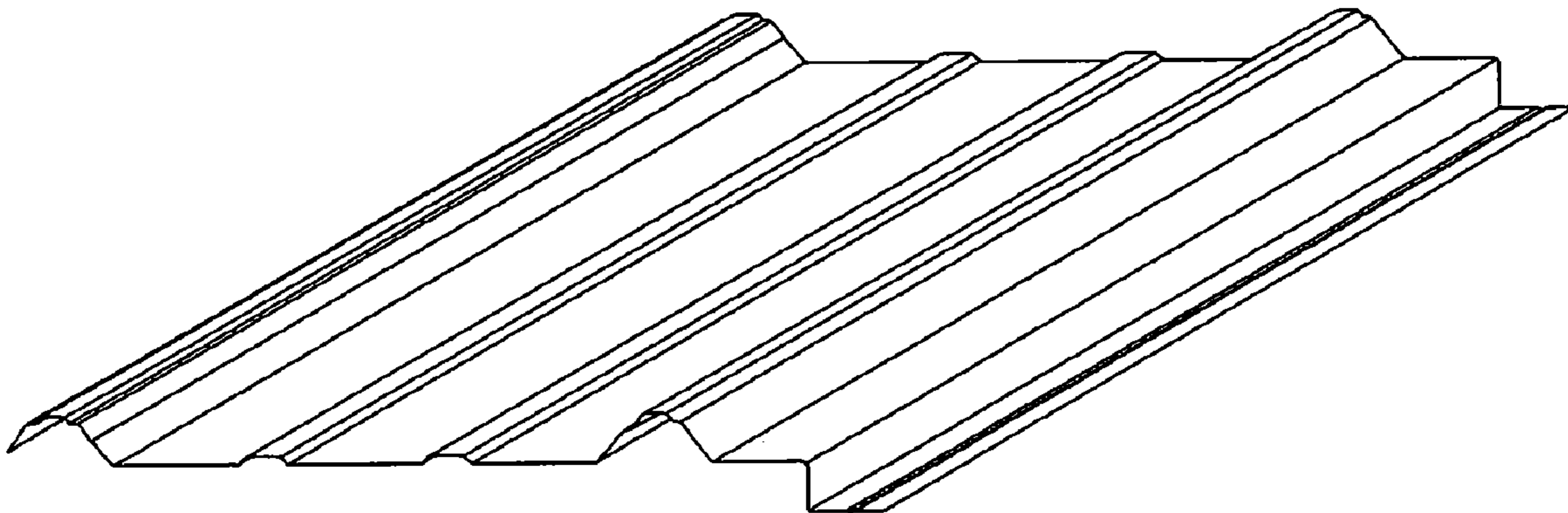
FIG. 3 is a bottom, right side perspective view of the roof and wall panel of FIG. 1;

FIG. 4 is a front elevational view of the roof and wall panel of FIG. 1;

FIG. 5 is a top plan view of the roof and wall panel of FIG. 1; and,

FIG. 6 is a bottom plan view of the roof and wall panel of FIG. 1.

1 Claim, 6 Drawing Sheets



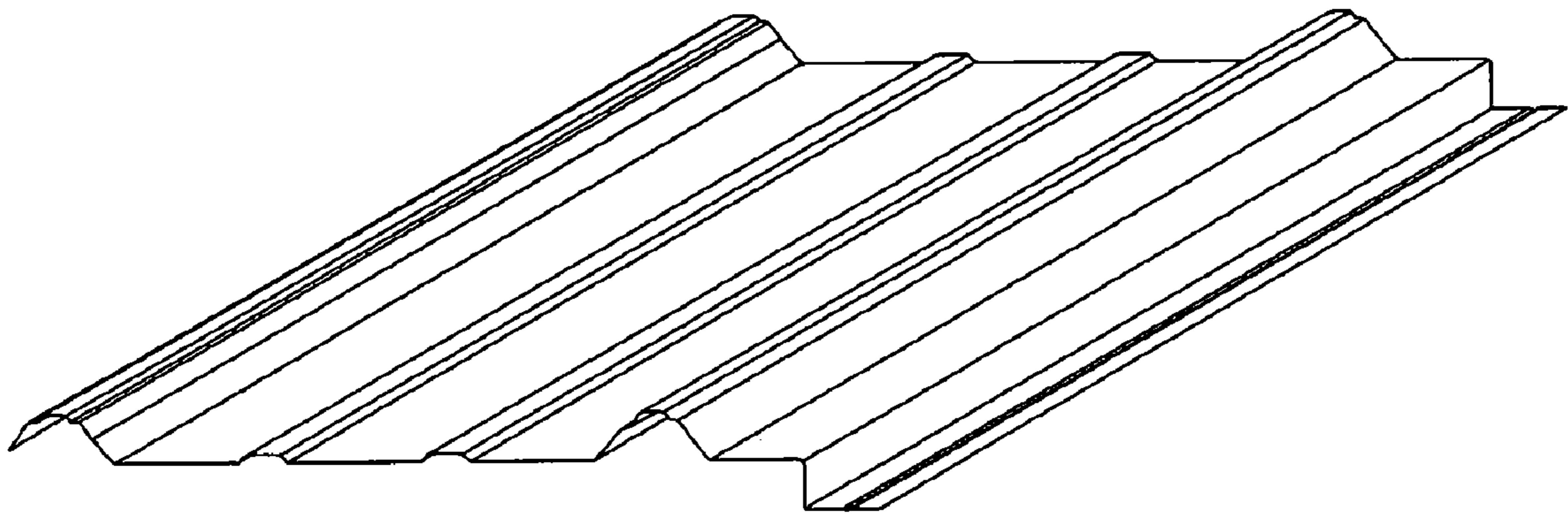


FIG. 1

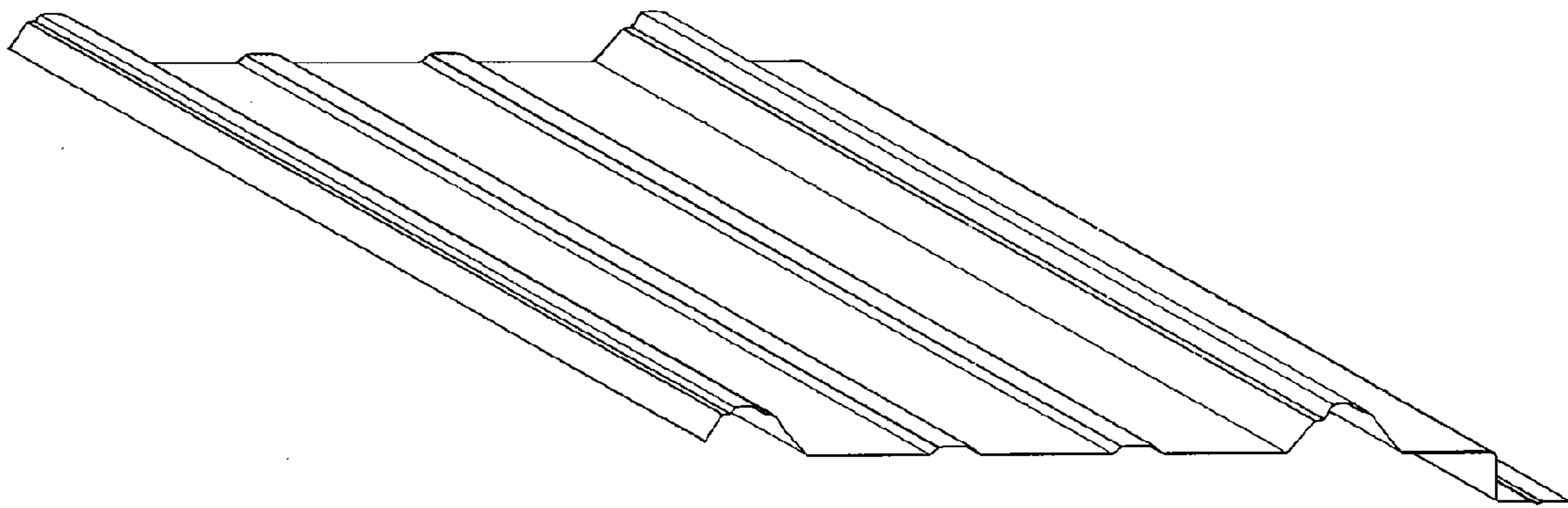


FIG. 2

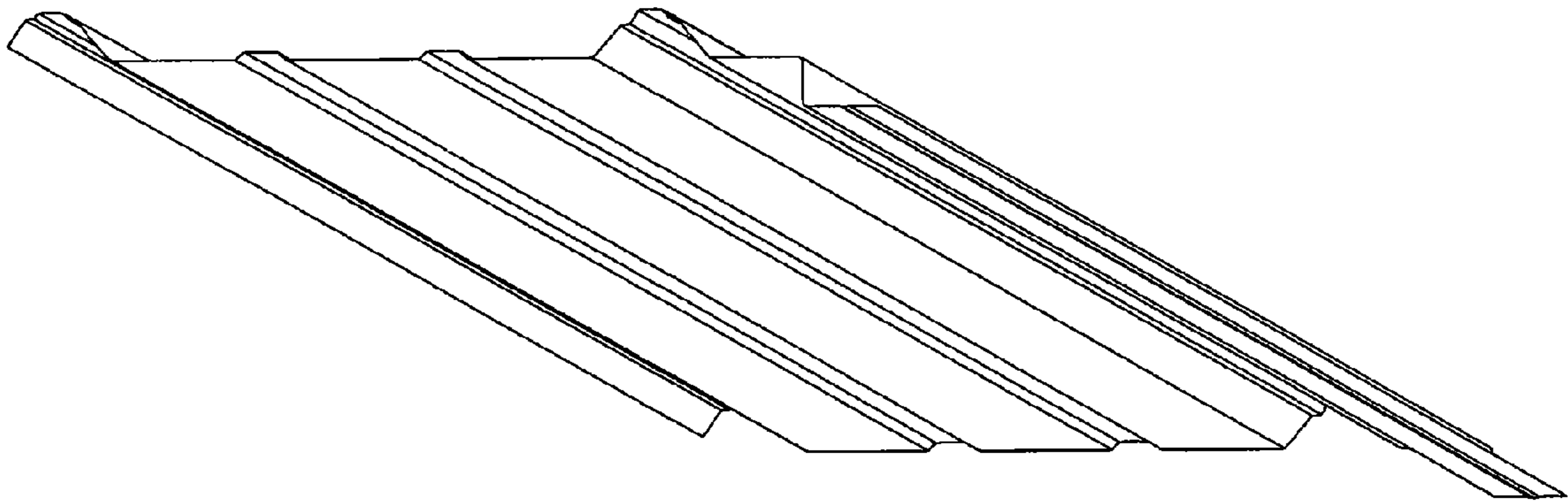


FIG. 3

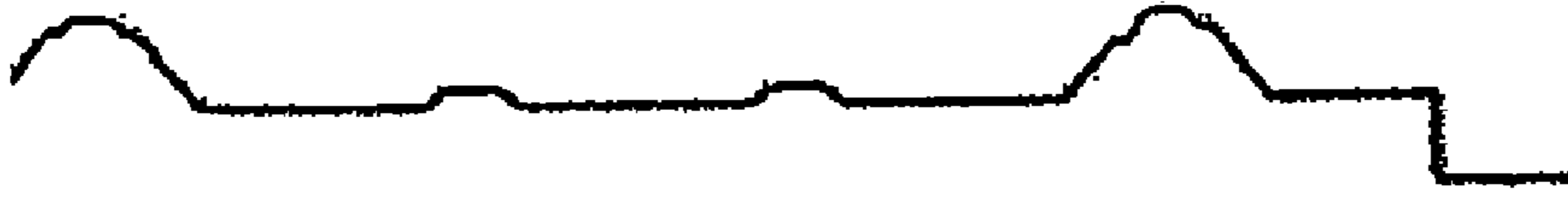


FIG. 4

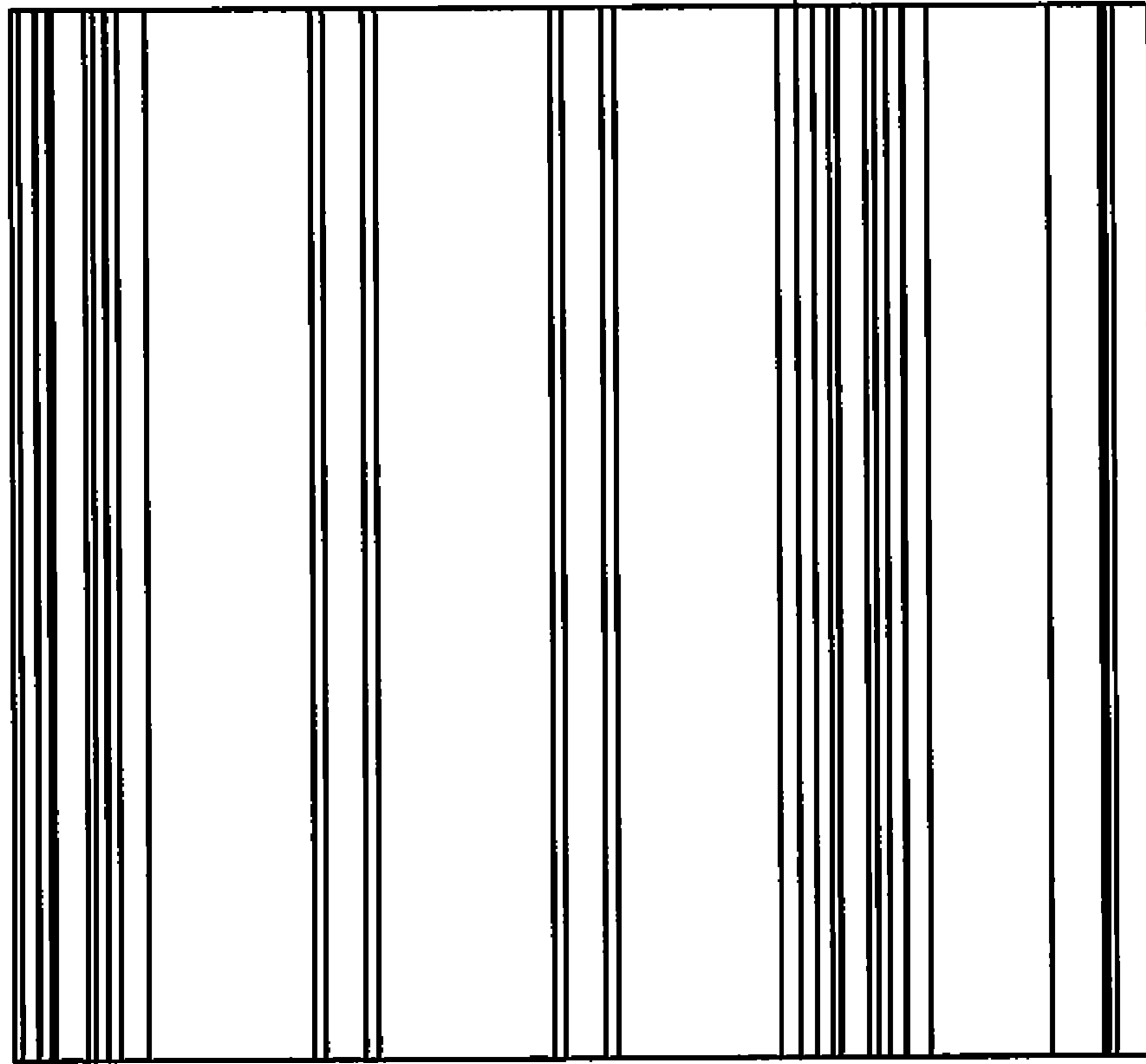


FIG. 5

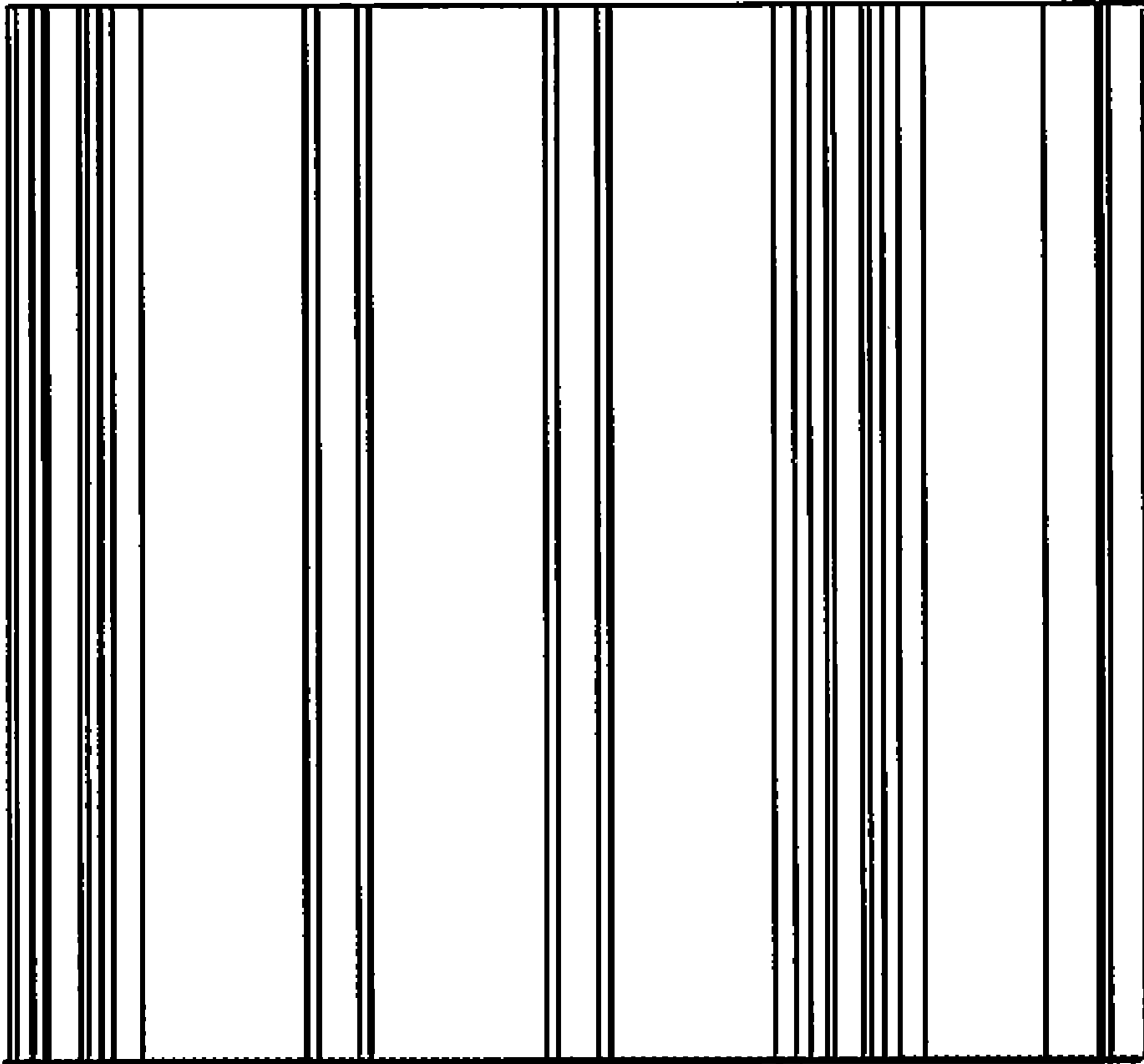


FIG. 6

UNITED STATES PATENT AND TRADEMARK OFFICE
CERTIFICATE OF CORRECTION

PATENT NO. : D641,894 S
APPLICATION NO. : 29/381477
DATED : July 19, 2011
INVENTOR(S) : Rick A. Bragg

Page 1 of 1

It is certified that error appears in the above-identified patent and that said Letters Patent is hereby corrected as shown below:

Title page, item [73] Assignee: should read as follows:

McElroy Metal, Inc., Bossier City, Louisiana

Signed and Sealed this
Fourth Day of October, 2011

A handwritten signature in black ink that reads "David J. Kappos". The signature is written in a cursive style with a large initial 'D' and 'K'.

David J. Kappos
Director of the United States Patent and Trademark Office