

US00D641893S

(12) **United States Design Patent**
Busschaert et al.

(10) **Patent No.:** **US D641,893 S**

(45) **Date of Patent:** **** Jul. 19, 2011**

(54) **PORTION OF A SAWHORSE**

(56) **References Cited**

(75) Inventors: **Jason F. Busschaert**, Bel Air, MD (US);
James A. Downing, Owings Mills, MD
(US); **Torrey R. Lambert**, Baltimore,
MD (US)

U.S. PATENT DOCUMENTS

2,959,245	A	*	11/1960	O—Keefe	182/151
D328,355	S	*	7/1992	Librach	D25/67
6,401,865	B1	*	6/2002	Elwick	182/182.1
6,789,649	B2	*	9/2004	Herrmann	182/186.7
D552,256	S	*	10/2007	Thurston	D25/68
D589,780	S	*	4/2009	Fernandez	D8/330

(73) Assignee: **Black & Decker Inc.**, Newark, DE (US)

* cited by examiner

(**) Term: **14 Years**

Primary Examiner — Doris Clark

(74) *Attorney, Agent, or Firm* — Adan Ayala

(21) Appl. No.: **29/389,546**

(57) **CLAIM**

We claim the ornamental design for a portion of a sawhorse,
as shown and described.

(22) Filed: **Apr. 13, 2011**

DESCRIPTION

Related U.S. Application Data

(63) Continuation of application No. 29/378,546, filed on
Nov. 5, 2010, now Pat. No. Des. 638,141.

FIG. 1 is a perspective view of portion of a sawhorse accord-
ing to the invention.

FIG. 2 is a right side view of the portion of the sawhorse.

FIG. 3 is a left side view of the portion of the sawhorse.

FIG. 4 is a front elevational view of the portion of the saw-
horse.

FIG. 5 is a top plan view of the portion of the sawhorse; and,
FIG. 6 is a bottom plan view of the portion of the sawhorse.

The broken lines are for illustrative purposes only and form
no part of claimed design.

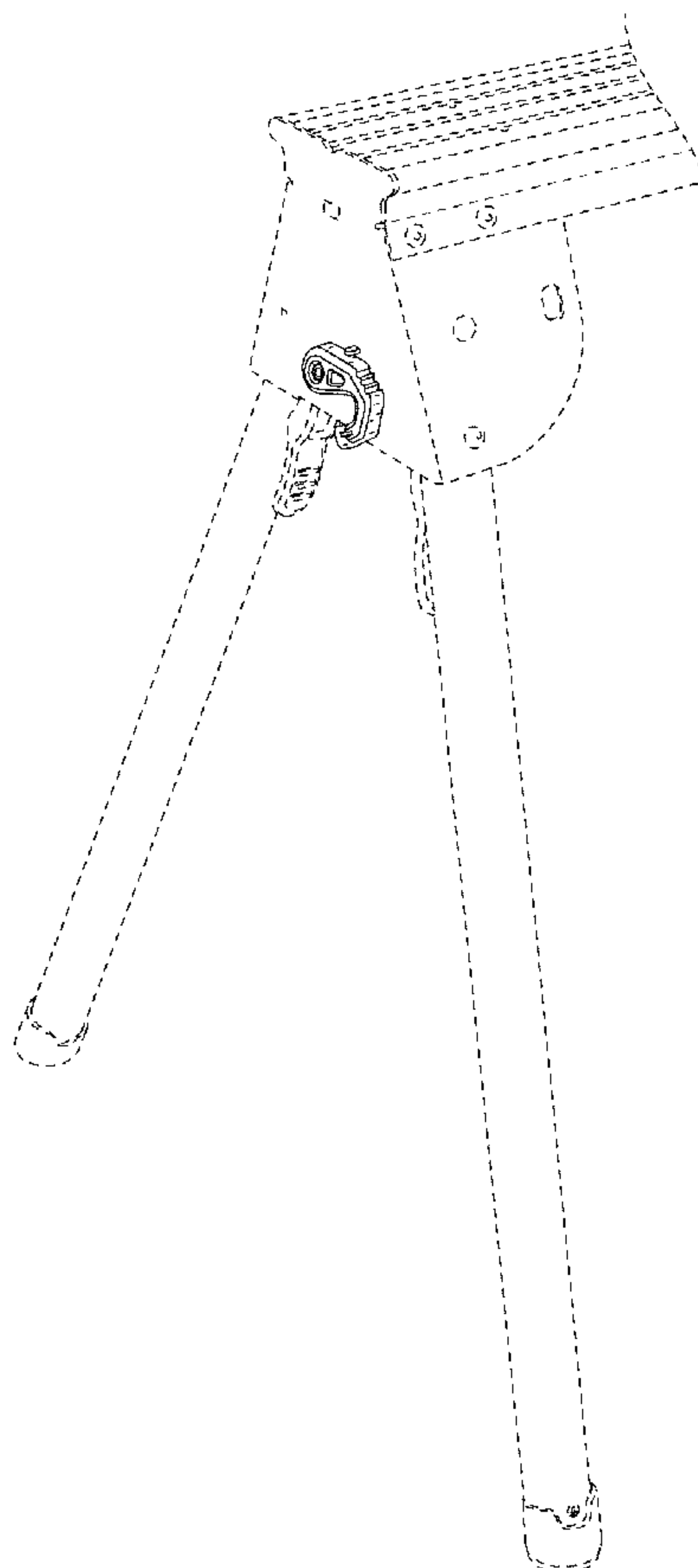
(51) **LOC (9) Cl.** **25-04**

(52) **U.S. Cl.** **D25/68; D8/336**

(58) **Field of Classification Search** D25/67,
D25/68; 182/181.1, 186.5, 224, 153, 186.8,
182/186.7, 151; D8/336

See application file for complete search history.

1 Claim, 6 Drawing Sheets



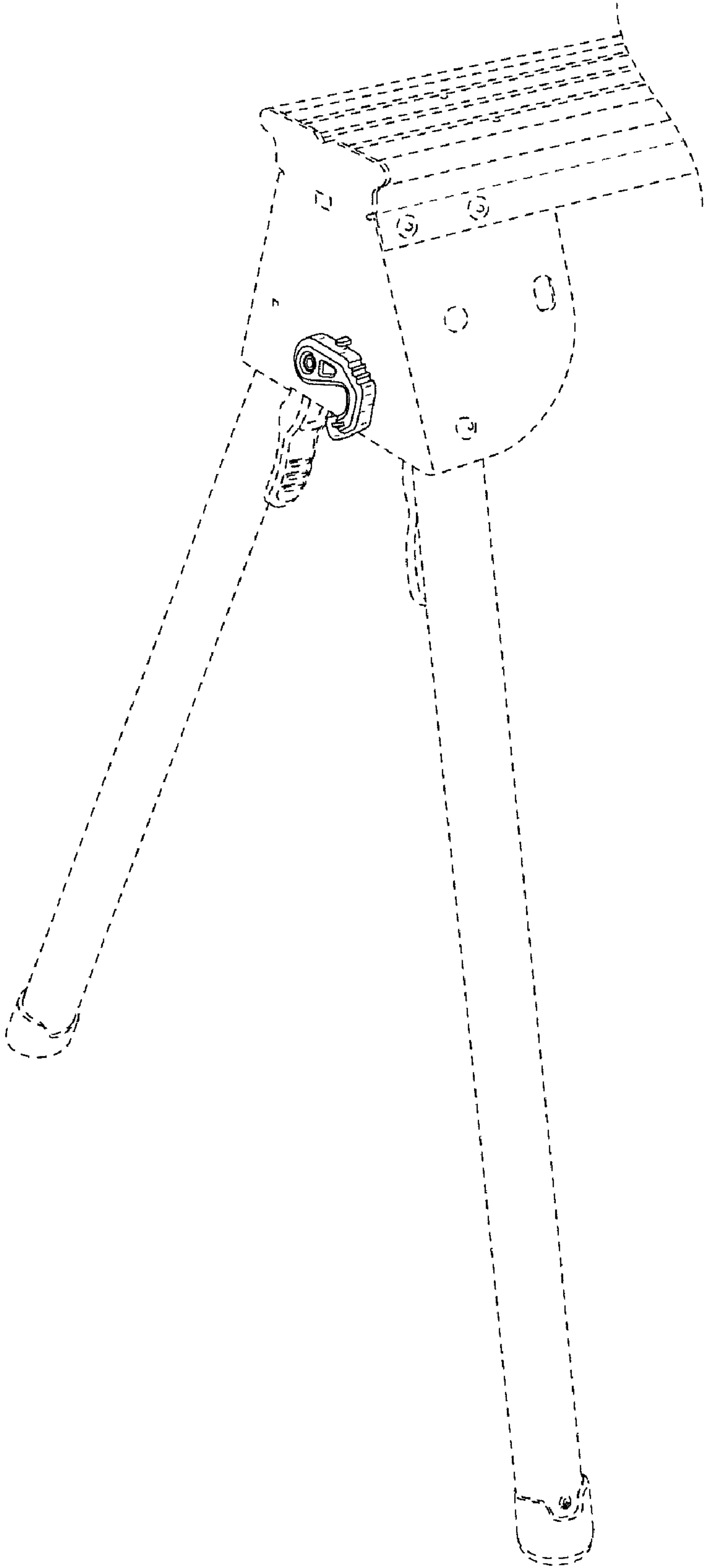


FIG. 1

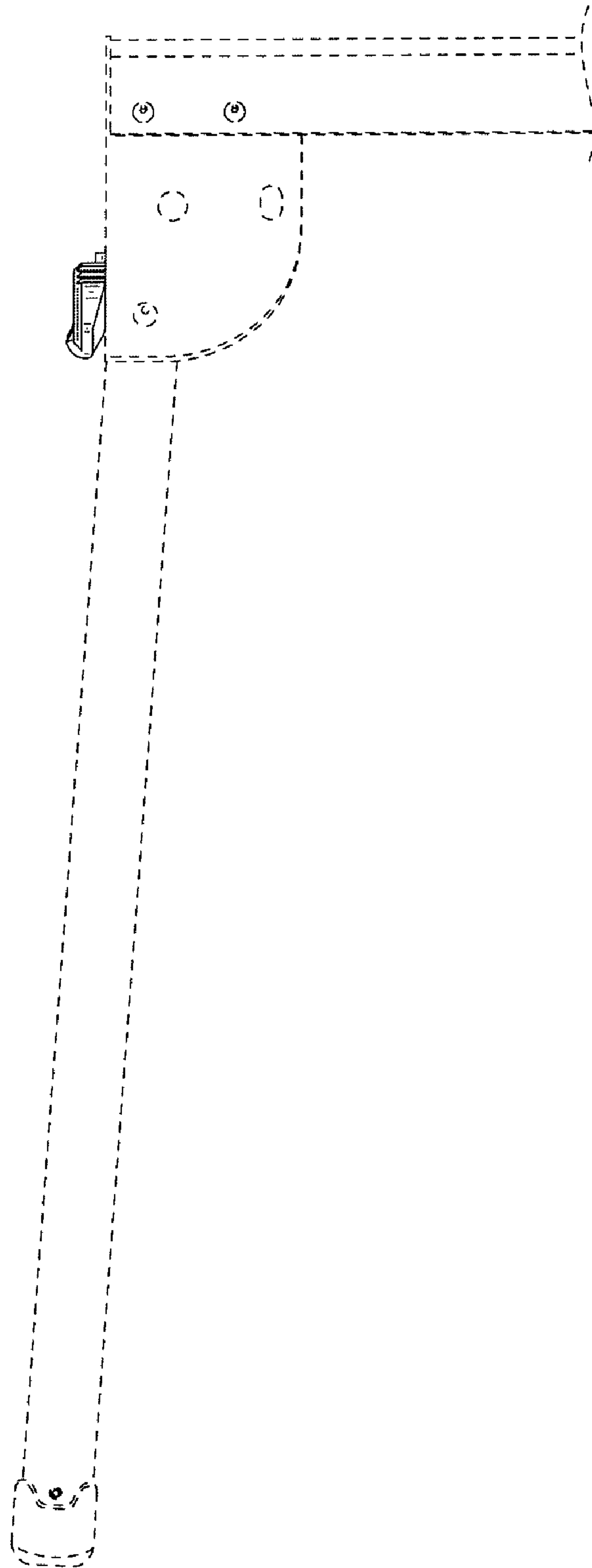


FIG. 2

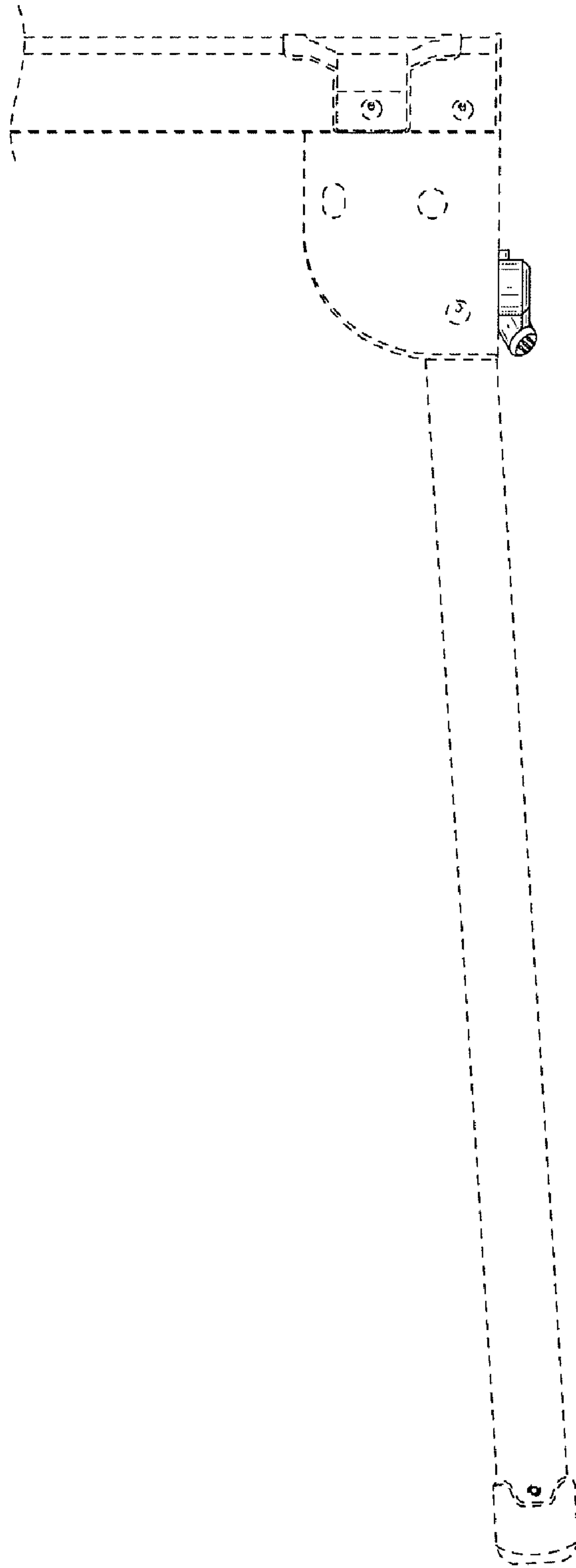


FIG. 3

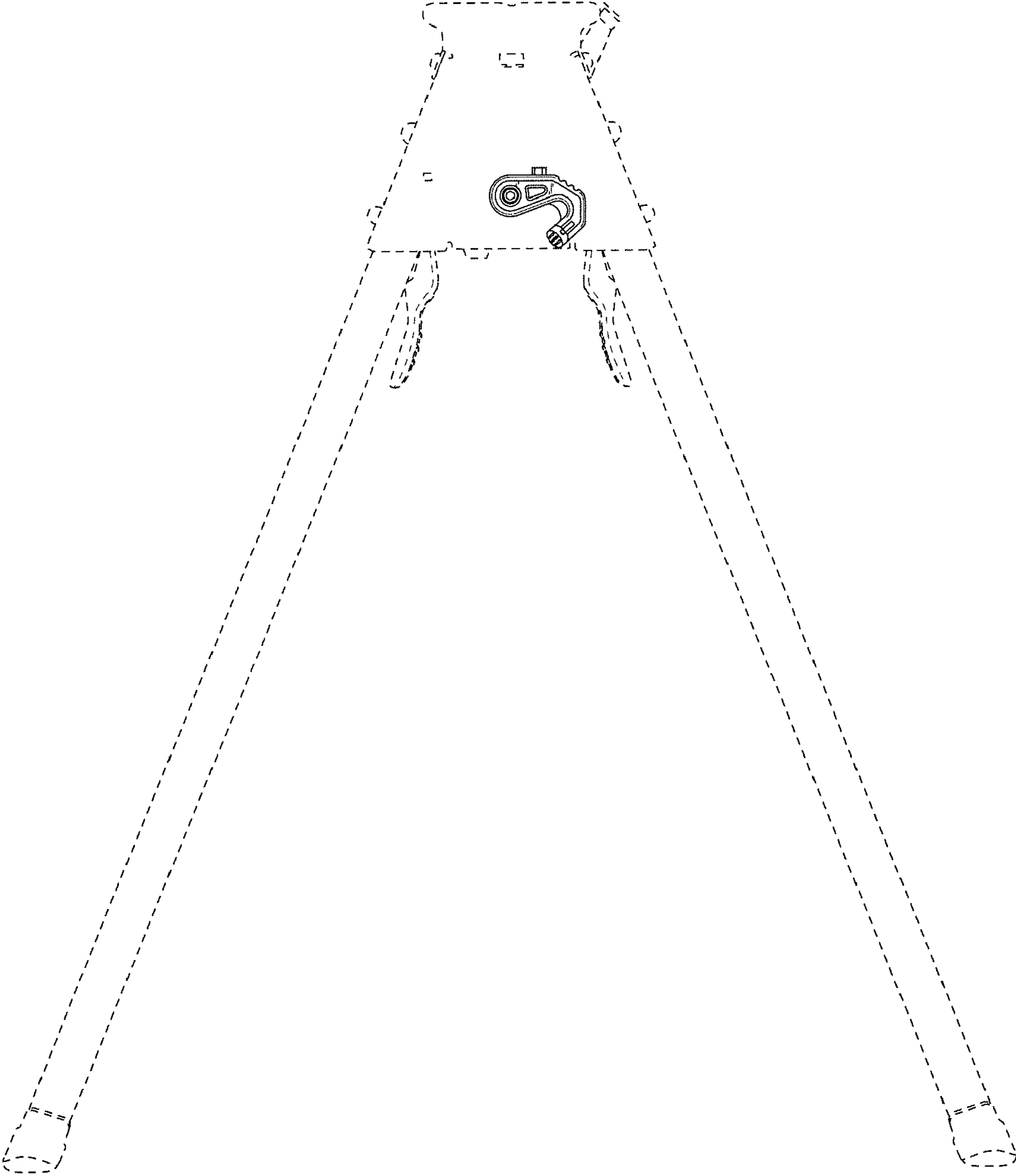


FIG. 4

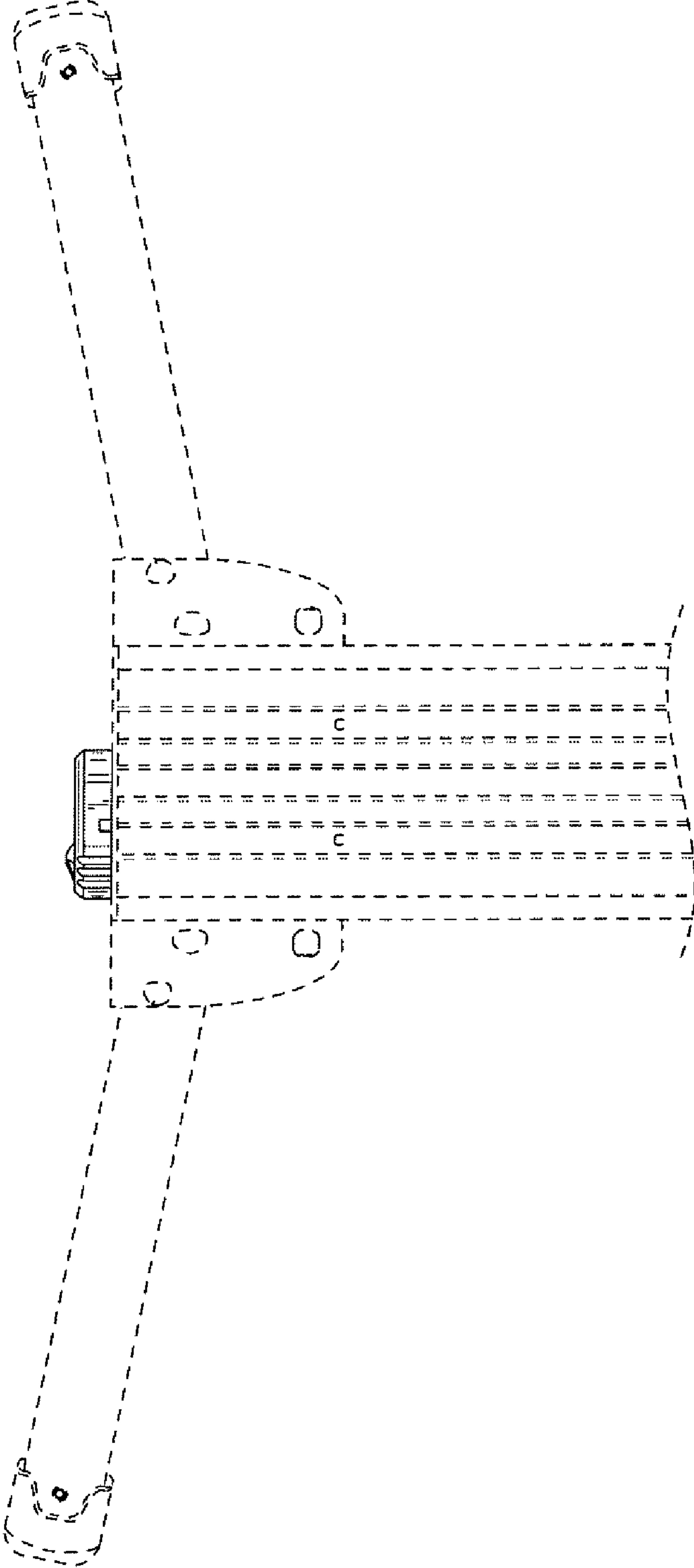


FIG. 5

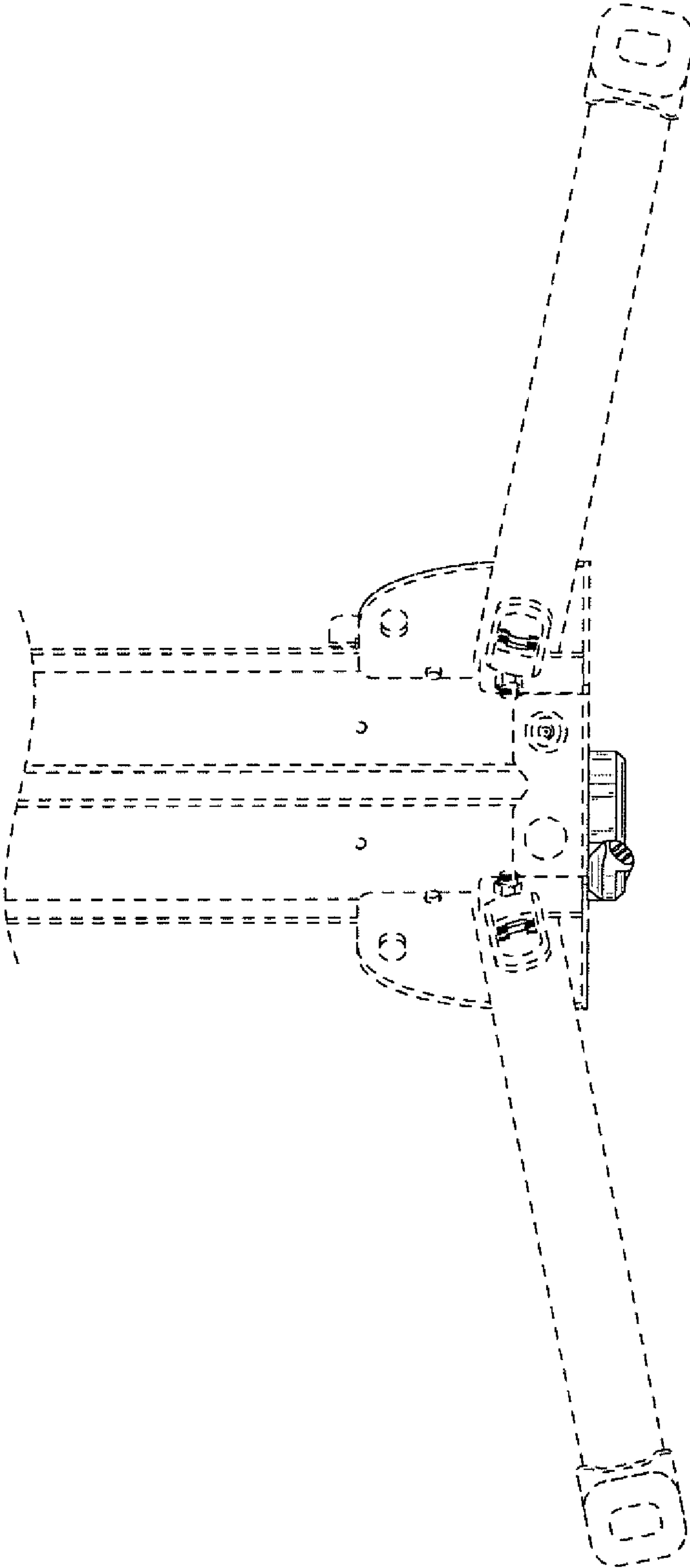


FIG. 6