



US00D641892S

(12) **United States Design Patent**  
**Schoettle**

(10) **Patent No.:** **US D641,892 S**

(45) **Date of Patent:** **\*\* Jul. 19, 2011**

(54) **SAWHORSE ASSEMBLY**

(76) Inventor: **Steven Schoettle**, Saint Simons Island,  
GA (US)

(\*\*) Term: **14 Years**

(21) Appl. No.: **29/378,767**

(22) Filed: **Nov. 9, 2010**

(51) **LOC (9) Cl.** ..... **25-04**

(52) **U.S. Cl.** ..... **D25/67**

(58) **Field of Classification Search** ..... D25/67;  
182/181.1, 186.5, 224

See application file for complete search history.

D279,606 S \* 7/1985 Merians ..... D25/67  
5,101,932 A \* 4/1992 Trudgeon ..... 182/129  
5,170,861 A 12/1992 Turner  
5,484,037 A 1/1996 Neumarkel  
6,755,282 B1 6/2004 Herold  
2003/0159886 A1 8/2003 McGillis et al.

\* cited by examiner

*Primary Examiner* — Doris Clark

(74) *Attorney, Agent, or Firm* — Ryan A. Schneider, Esq.;  
Jihan A. R. Jenkins, Esq.; Troutman Sanders LLP

(57) **CLAIM**

The ornamental design for sawhorse assembly, as shown and described.

**DESCRIPTION**

FIG. 1 illustrates a perspective, front view of a sawhorse assembly.

FIG. 2 illustrates a back view of a sawhorse assembly.

FIG. 3 illustrates an enlarged perspective, front view of a top portion of a sawhorse assembly; and,

FIG. 4 illustrates a side view of a sawhorse assembly.

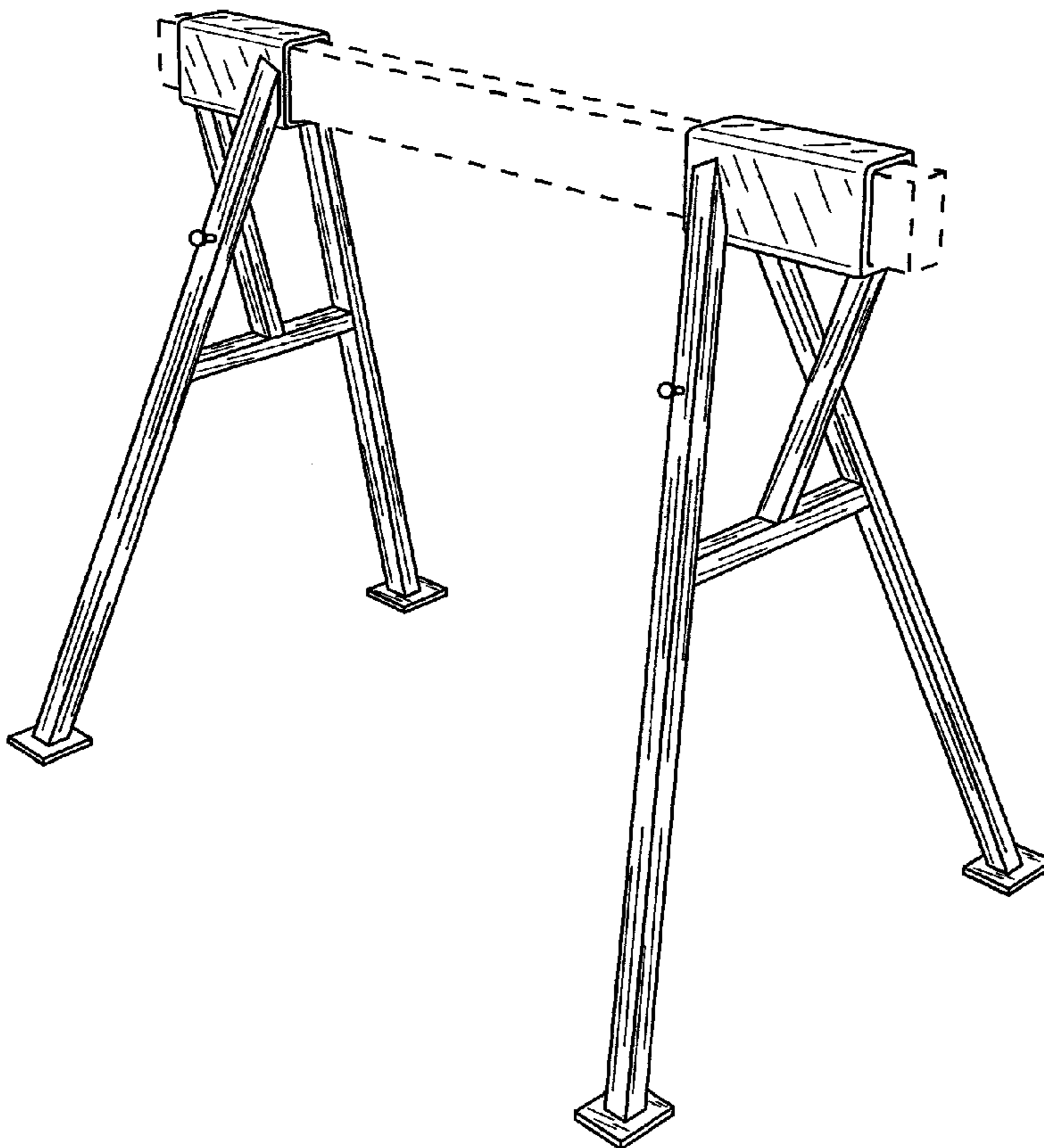
The broken, dashed lines shown in the various figures depicting embodiments of the invention are included for the purpose of illustrating environment and do not form any part of the claimed design.

**1 Claim, 4 Drawing Sheets**

(56) **References Cited**

**U.S. PATENT DOCUMENTS**

936,945	A	10/1909	Rice	
1,597,555	A	8/1926	Tolmie	
1,601,946	A	10/1926	Dujardin	
1,687,820	A	10/1928	Acker	
2,496,526	A	2/1950	Falcone	
2,983,329	A	5/1961	Brown	
3,637,045	A	1/1972	Poffenbaugh et al.	
3,763,958	A *	10/1973	Hanson	182/186.5
4,181,292	A *	1/1980	Hubel	256/23
4,248,326	A	2/1981	Hansen et al.	
4,506,761	A	3/1985	Brown	



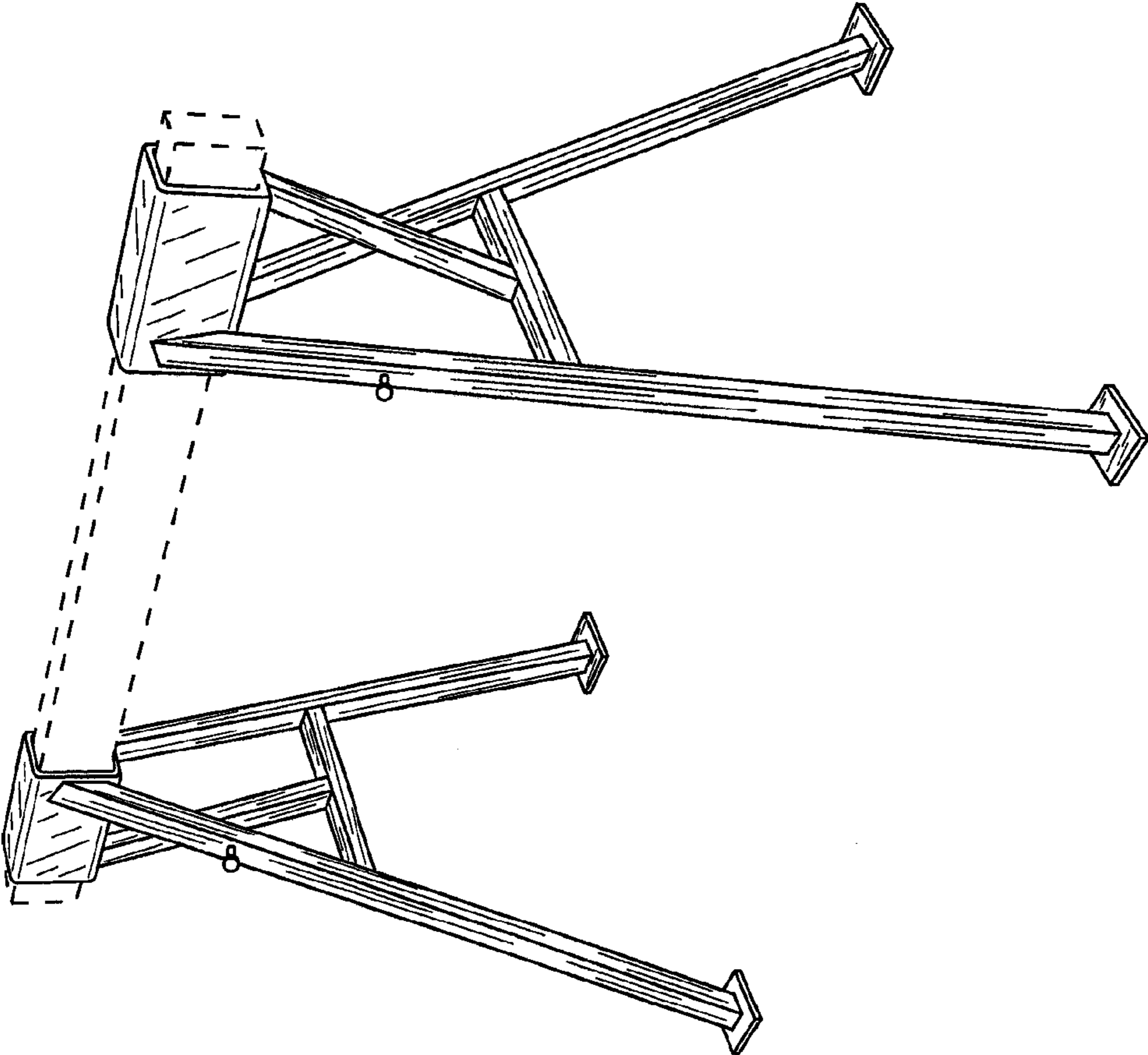


Fig. 1

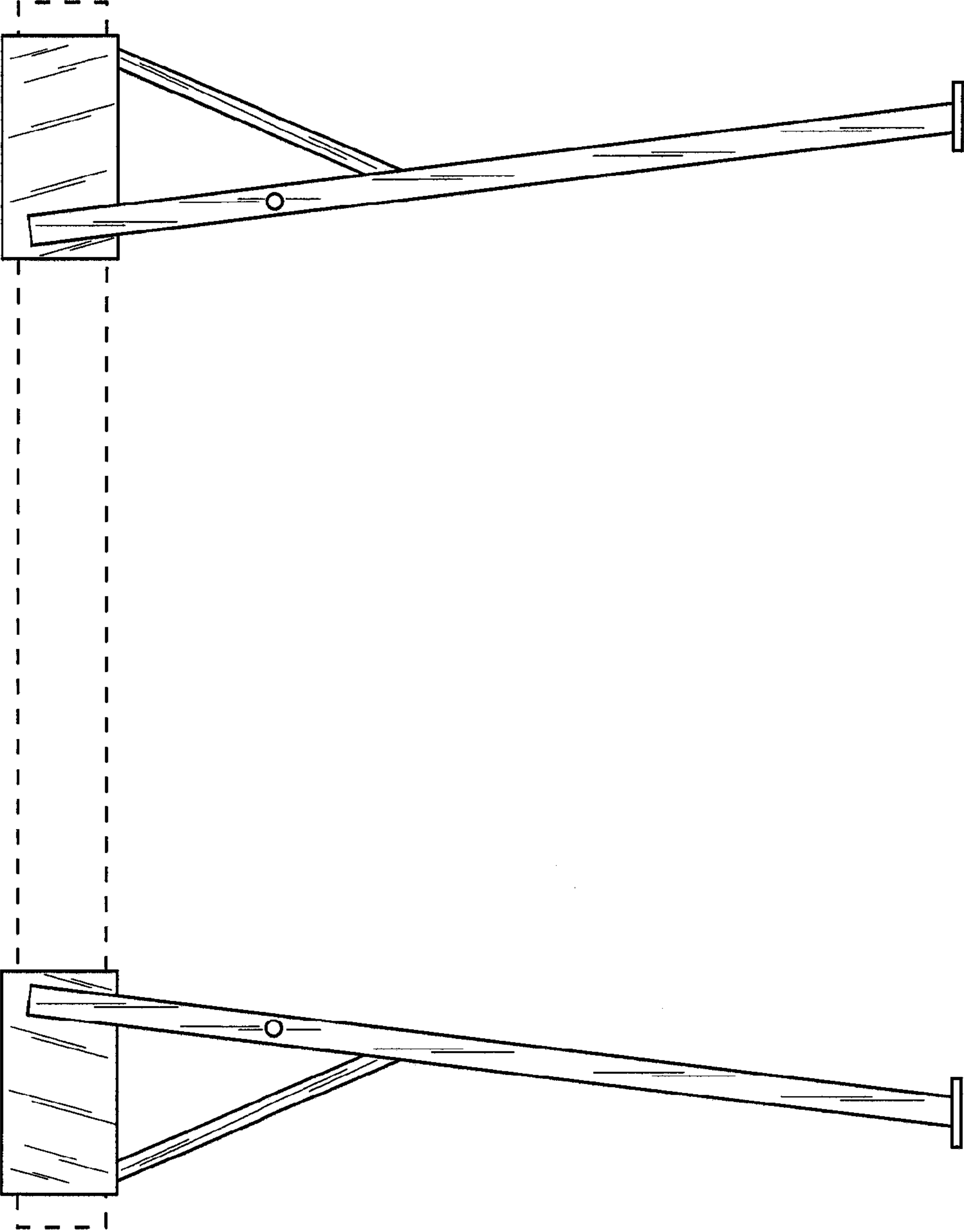
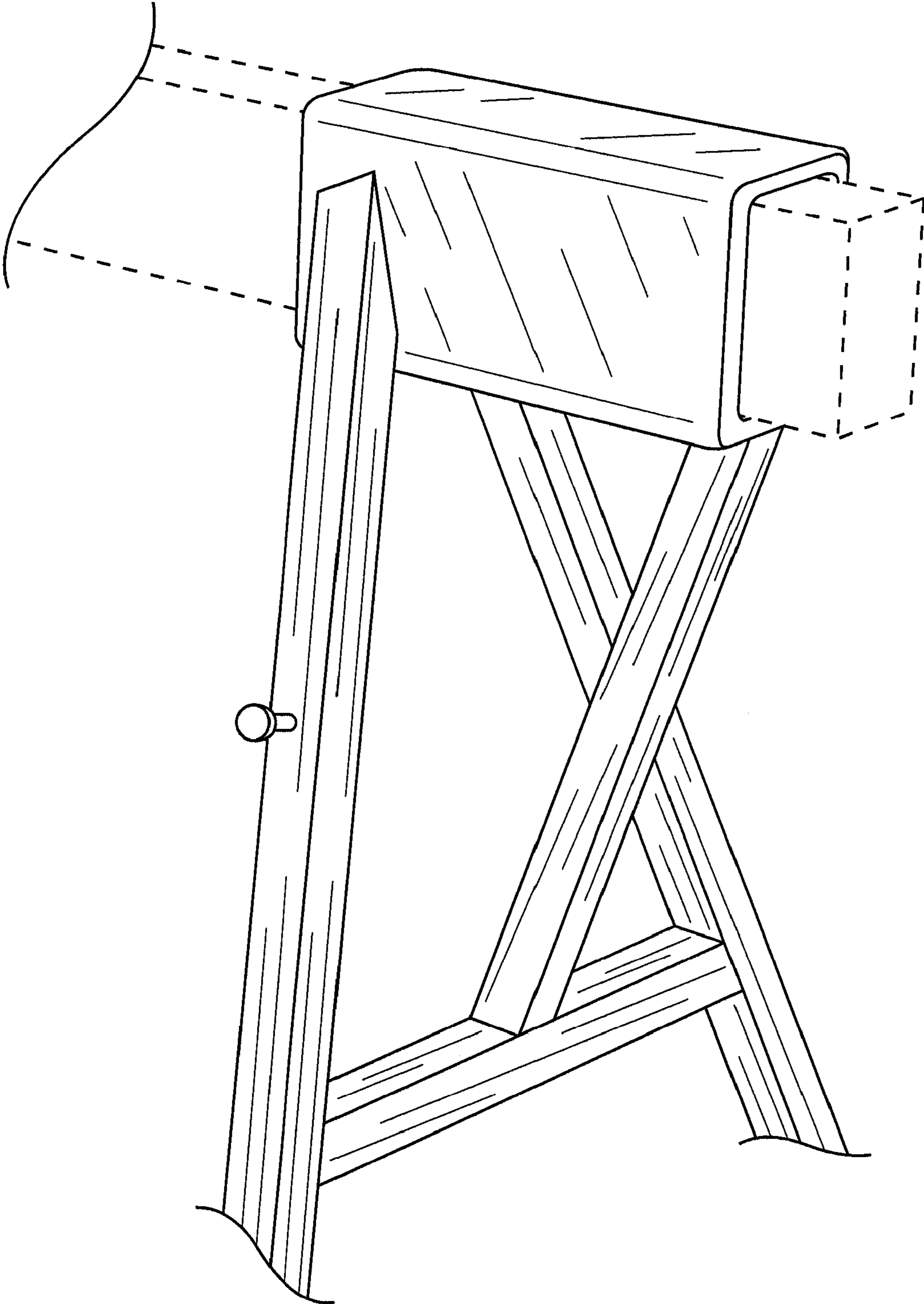
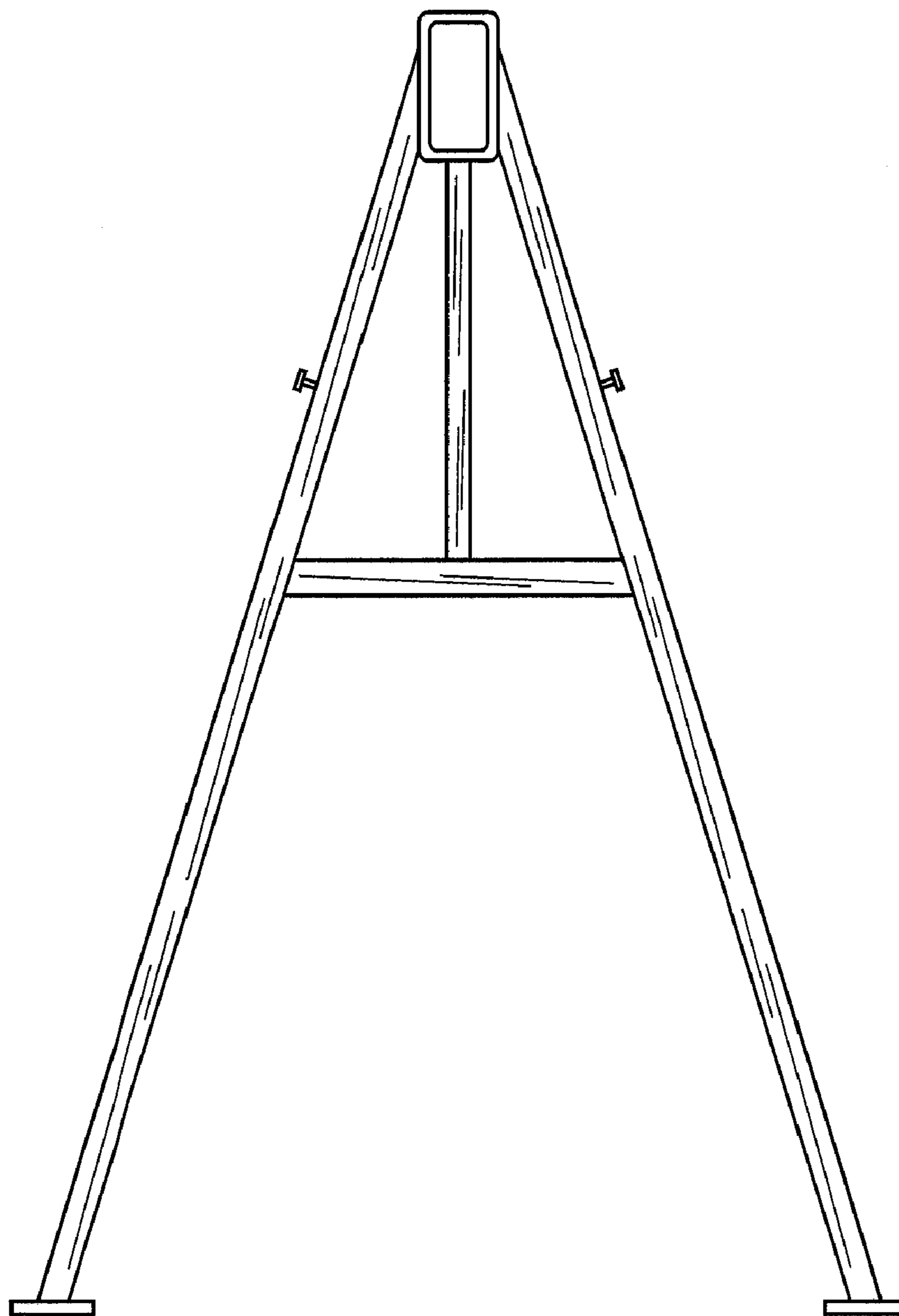


Fig. 2



**Fig. 3**



**Fig. 4**