



US00D641885S

(12) **United States Design Patent**  
**Wawro et al.**

(10) **Patent No.:** **US D641,885 S**

(45) **Date of Patent:** **\*\* Jul. 19, 2011**

(54) **PATIENT-MONITOR HOUSING**

(75) Inventors: **Thaddeus J. Wawro**, Auburn, NY (US);  
**Alan S. Knieriem**, Baldwinsville, NY  
(US); **Michael McAtamney**, Navan (IE);  
**Stephen Montgomery**, Virginia (IE);  
**Donwoong Kang**, Camillus, NY (US);  
**Jonathan A. Fitch**, Syracuse, NY (US)

(73) Assignee: **Welch Allyn, Inc.**, Skaneateles Falls, NY  
(US)

(\*\*) Term: **14 Years**

(21) Appl. No.: **29/380,149**

(22) Filed: **Dec. 1, 2010**

(51) **LOC (9) Cl.** ..... **24-01**

(52) **U.S. Cl.** ..... **D24/186**

(58) **Field of Classification Search** ..... D24/107,  
D24/111, 137-138, 164-165, 168-169, 185-186,  
D24/167; 600/301, 481, 483-485, 509, 513,  
600/519, 544; 128/900; D10/81, 104; D14/381,  
D14/126, 371

See application file for complete search history.

(56) **References Cited**

**U.S. PATENT DOCUMENTS**

D392,043 S \* 3/1998 Cooper et al. .... D24/186  
D554,266 S \* 10/2007 Striepe et al. .... D24/186  
D592,754 S \* 5/2009 Koike et al. .... D24/186  
D598,551 S \* 8/2009 Miwa et al. .... D24/186

D609,351 S \* 2/2010 Wagener et al. .... D24/186  
D615,199 S \* 5/2010 Zimmerli et al. .... D24/137  
D627,476 S \* 11/2010 Gaw et al. .... D24/186

\* cited by examiner

*Primary Examiner* — T. Chase Nelson

*Assistant Examiner* — Mark Cavanna

(74) *Attorney, Agent, or Firm* — Roger P. Bonenfant

(57) **CLAIM**

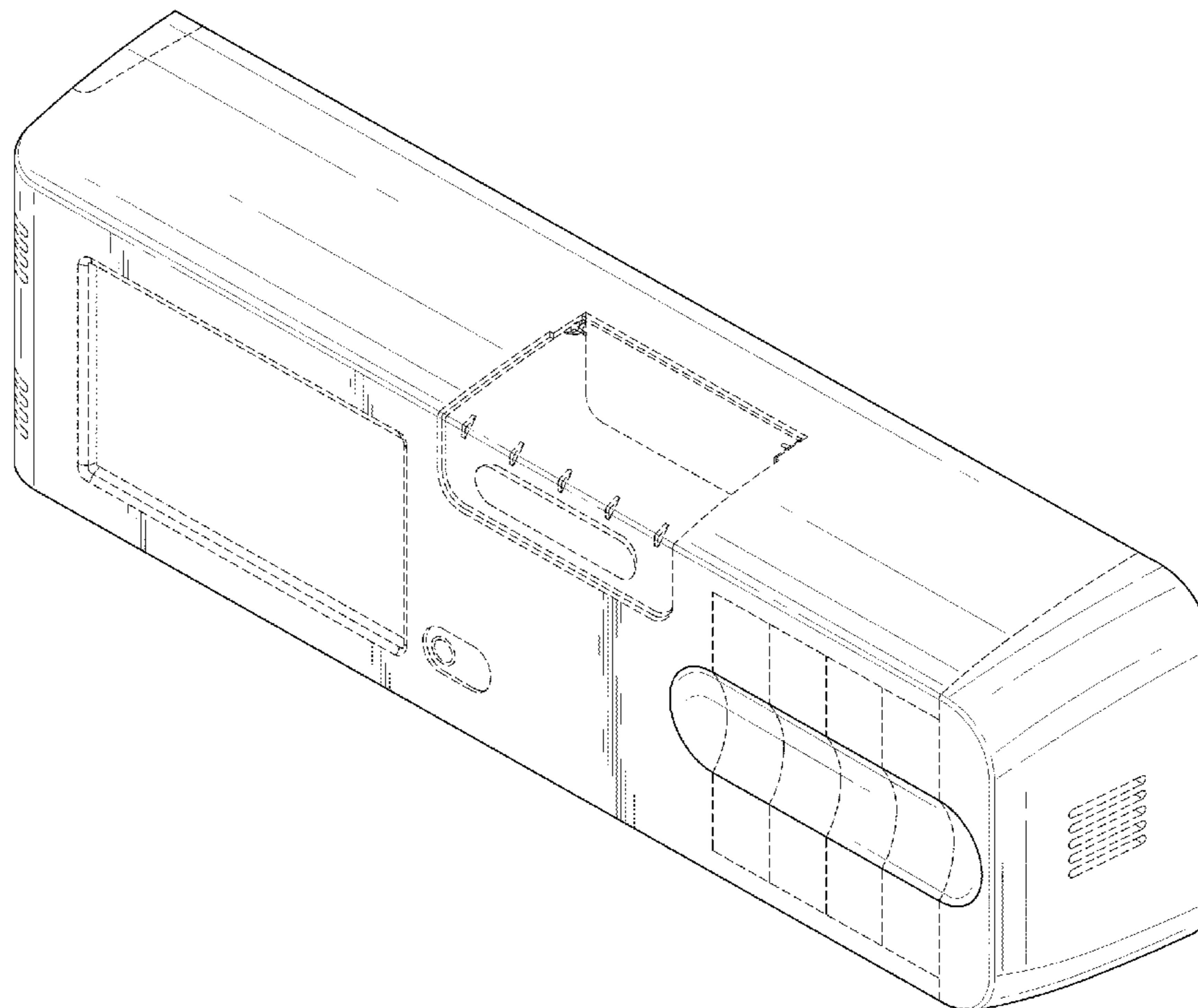
The ornamental design for a patient-monitor housing, as shown and described.

**DESCRIPTION**

FIG. 1 is a top perspective view of the patient-monitor housing according to an embodiment of the present invention; FIG. 2 is a front view of the patient-monitor housing shown in FIG. 1; FIG. 3 is a top view of the patient-monitor housing shown in FIG. 1; FIG. 4 is a bottom view of the patient-monitor housing shown in FIG. 1; FIG. 5 is a left-side view of the patient-monitor housing shown in FIG. 1; FIG. 6 is a right-side view of the patient-monitor housing shown in FIG. 1; and, FIG. 7 is a rear view of the patient-monitor housing shown in FIG. 1.

The broken lines shown herein are for illustrative purposes only and form no part of the claimed design.

**1 Claim, 6 Drawing Sheets**



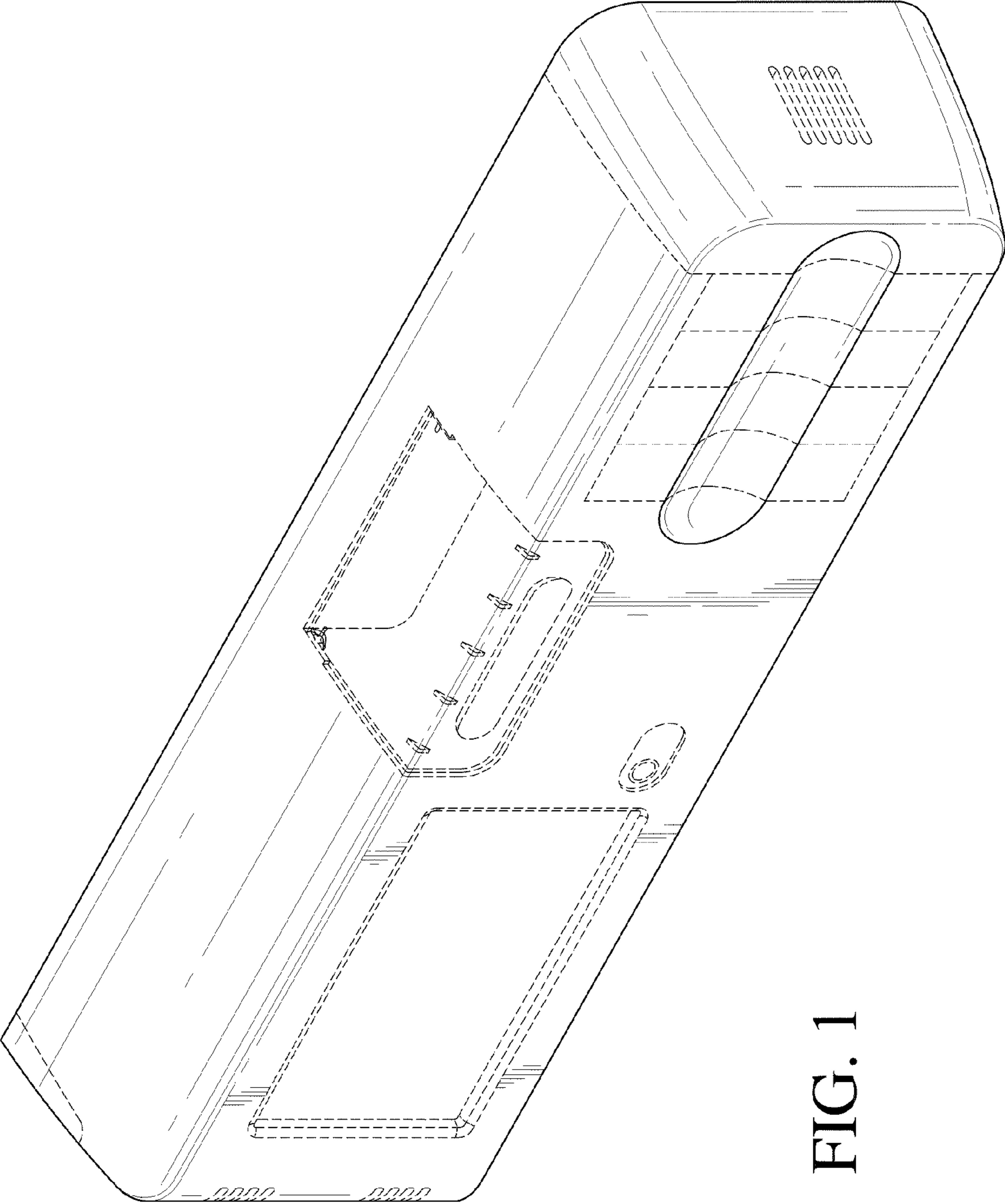


FIG. 1

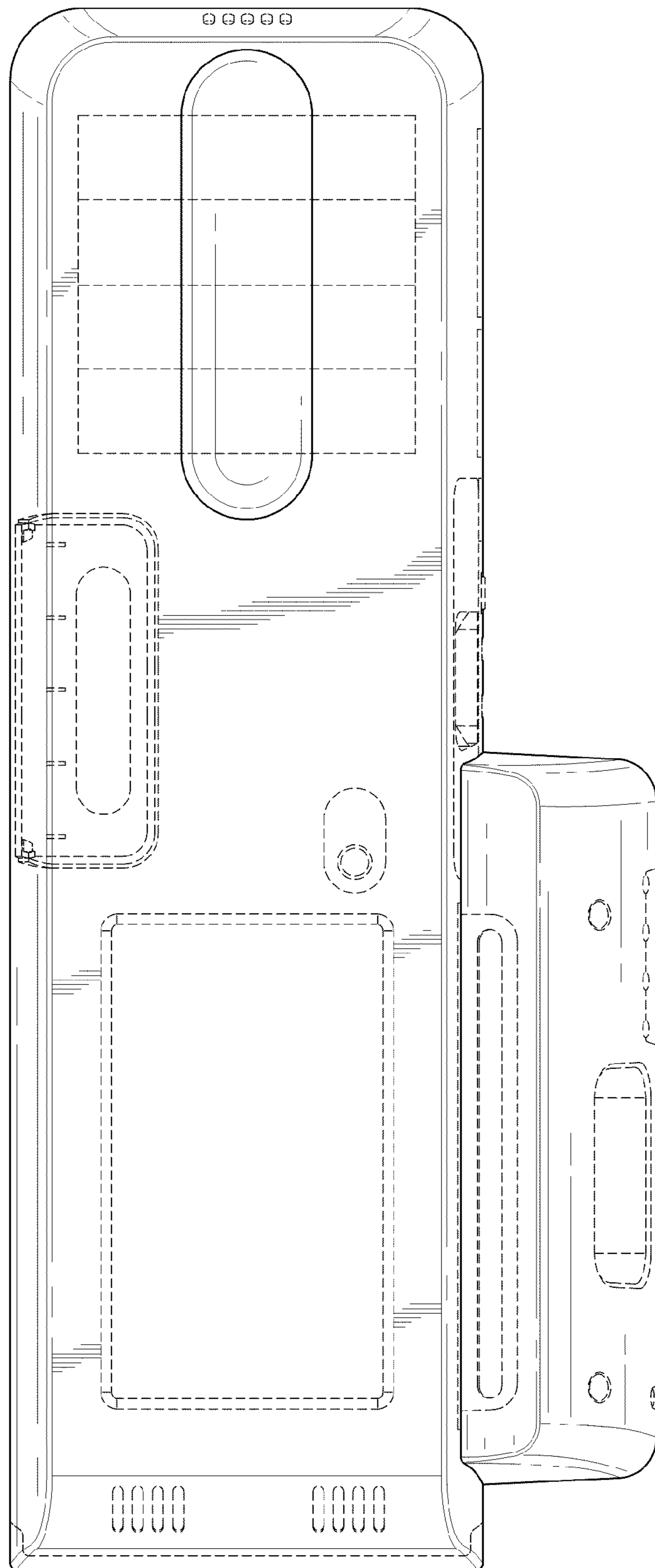


FIG. 2

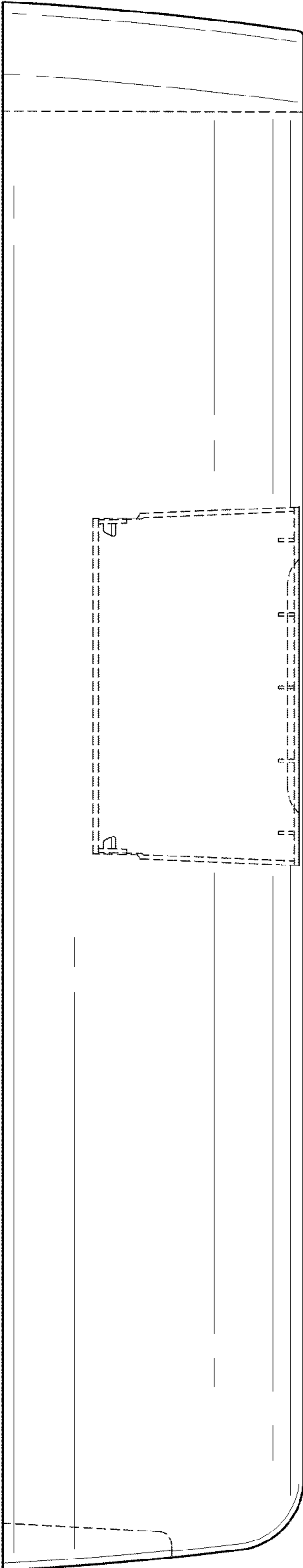


FIG. 3

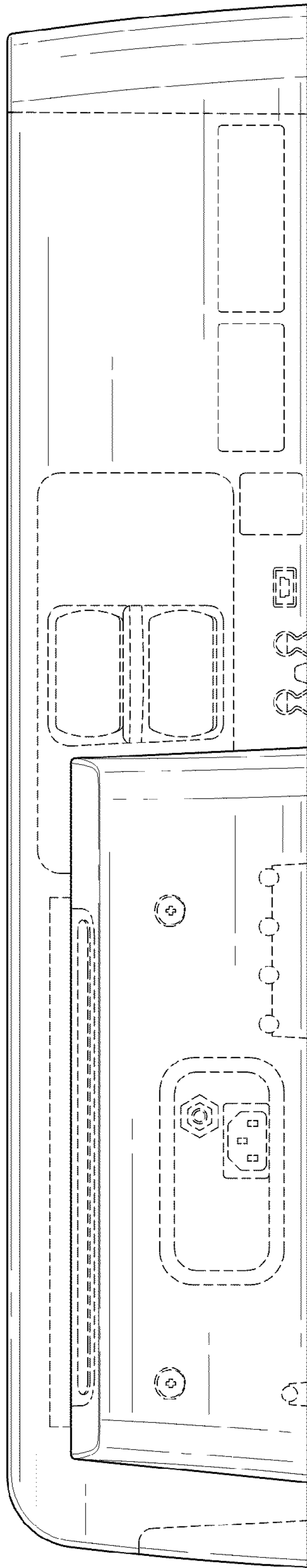


FIG. 4



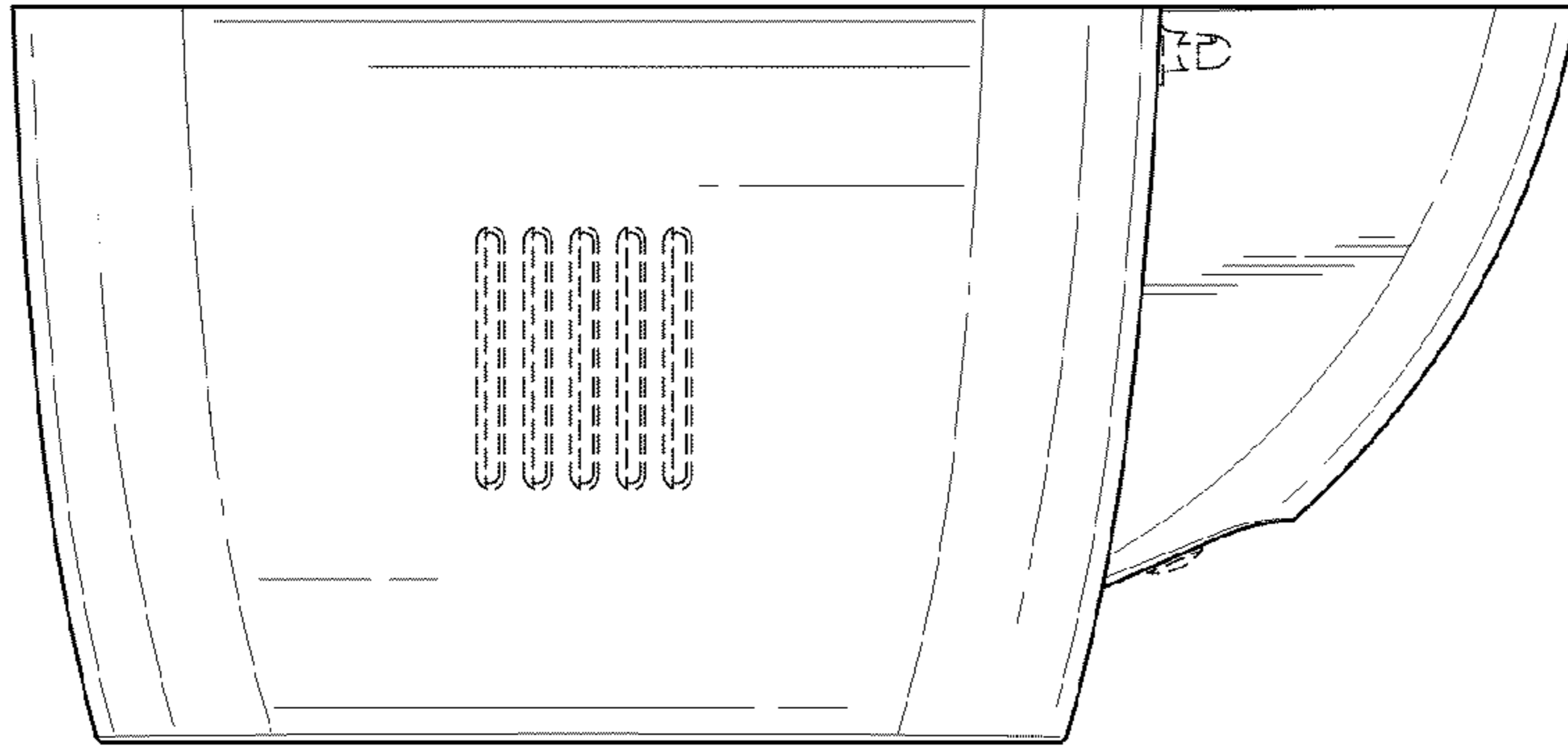


FIG. 6

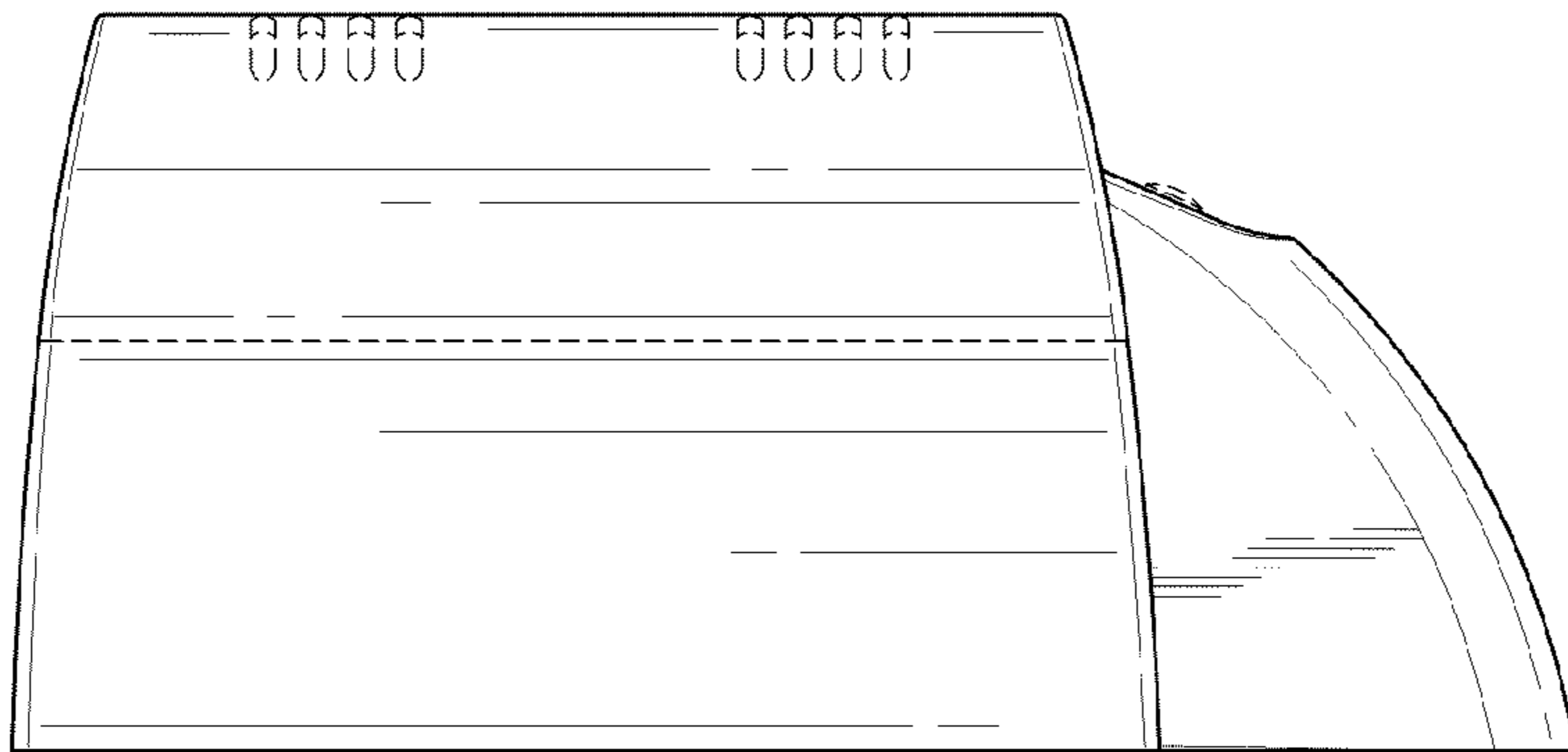


FIG. 5

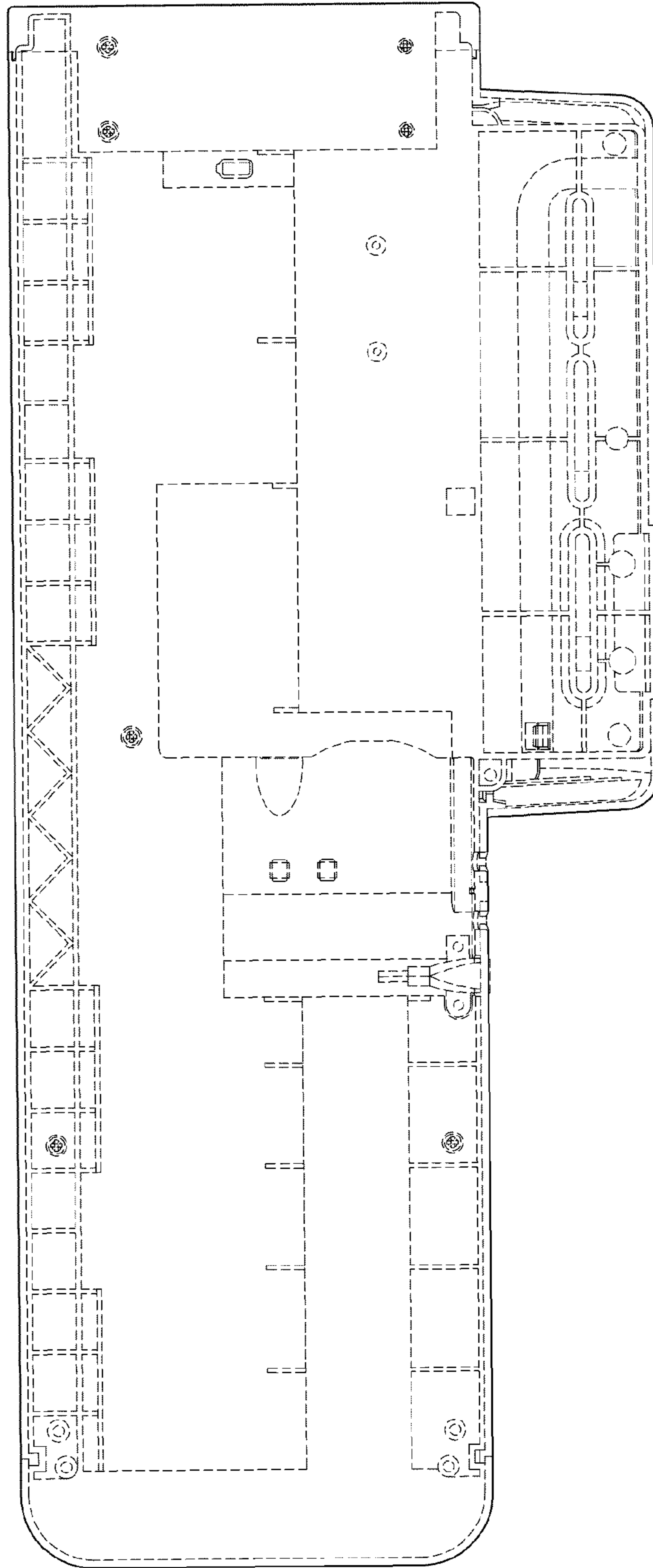


FIG. 7