



US00D641882S

(12) **United States Design Patent**
Hickey et al.

(10) **Patent No.:** **US D641,882 S**
(45) **Date of Patent:** **** Jul. 19, 2011**

(54) **PERITONEAL DIALYSIS MACHINE WITH USER INTERFACE**

(75) Inventors: **Katherine M. Hickey**, Manchester, NH (US); **Jesse T. Bodwell**, Manchester, NH (US); **James D. Dale**, Nashua, NH (US); **Jacob W. Scarpaci**, Manchester, NH (US); **David J. Hibbard**, Bedford, NH (US); **David E. Collins**, Manchester, NH (US); **Jason A. Demers**, Manchester, NH (US)

(73) Assignee: **DEKA Products Limited Partnership**, Manchester, NH (US)

(**) Term: **14 Years**

(21) Appl. No.: **29/379,133**

(22) Filed: **Nov. 15, 2010**

Related U.S. Application Data

(63) Continuation of application No. 29/331,330, filed on Jan. 23, 2009, now Pat. No. Des. 627,470, which is a continuation-in-part of application No. 29/319,080, filed on Jun. 3, 2008, now abandoned.

(51) **LOC (9) Cl.** **24-01**

(52) **U.S. Cl.** **D24/169**

(58) **Field of Classification Search** D24/169, D24/186, 138; D10/81; 210/252, 253, 321.65, 210/321.75, 645, 646; 435/286.5, 297.1, 435/297.2; 604/28, 29, 65, 131

See application file for complete search history.

(56) **References Cited**

U.S. PATENT DOCUMENTS

D308,249 S *	5/1990	Buckley	D24/169
D341,890 S *	11/1993	Sievert et al.	D24/169
5,350,357 A	9/1994	Kamen et al.		
D351,469 S *	10/1994	Okamoto et al.	D24/169
D351,470 S *	10/1994	Scherer et al.	D24/169
D381,748 S *	7/1997	Matsuda et al.	D24/169

(Continued)

FOREIGN PATENT DOCUMENTS

WO	WO 2009/094182	A2	7/2009
WO	WO 2009/094183	A1	7/2009
WO	WO 2009/094185	A2	7/2009
WO	WO 2009/094186	A2	7/2009

OTHER PUBLICATIONS

From the Fresenius Medical Care web site: <http://www.fmc-ag.com/internet/fmc/fmcag/neu/fmcpub.nsf/Content/Photo+Gallery+Product+PD>.

Primary Examiner — T. Chase Nelson

Assistant Examiner — Anhdao Doan

(74) *Attorney, Agent, or Firm* — Wolf, Greenfield & Sacks, P.C.

(57) **CLAIM**

The ornamental design for a peritoneal dialysis machine with user interface, as shown and described.

DESCRIPTION

FIG. 1 is a perspective view of the peritoneal dialysis machine with user interface showing the top, front and left sides thereof;

FIG. 2 is a perspective view of the peritoneal dialysis machine with user interface showing the top, front and right sides thereof;

FIG. 3 is a perspective view of the peritoneal dialysis machine with user interface showing the top, rear and right sides thereof;

FIG. 4 is a perspective view of the peritoneal dialysis machine with user interface showing the top, rear and left sides thereof;

FIG. 5 is a front side view thereof;

FIG. 6 is a rear side view thereof;

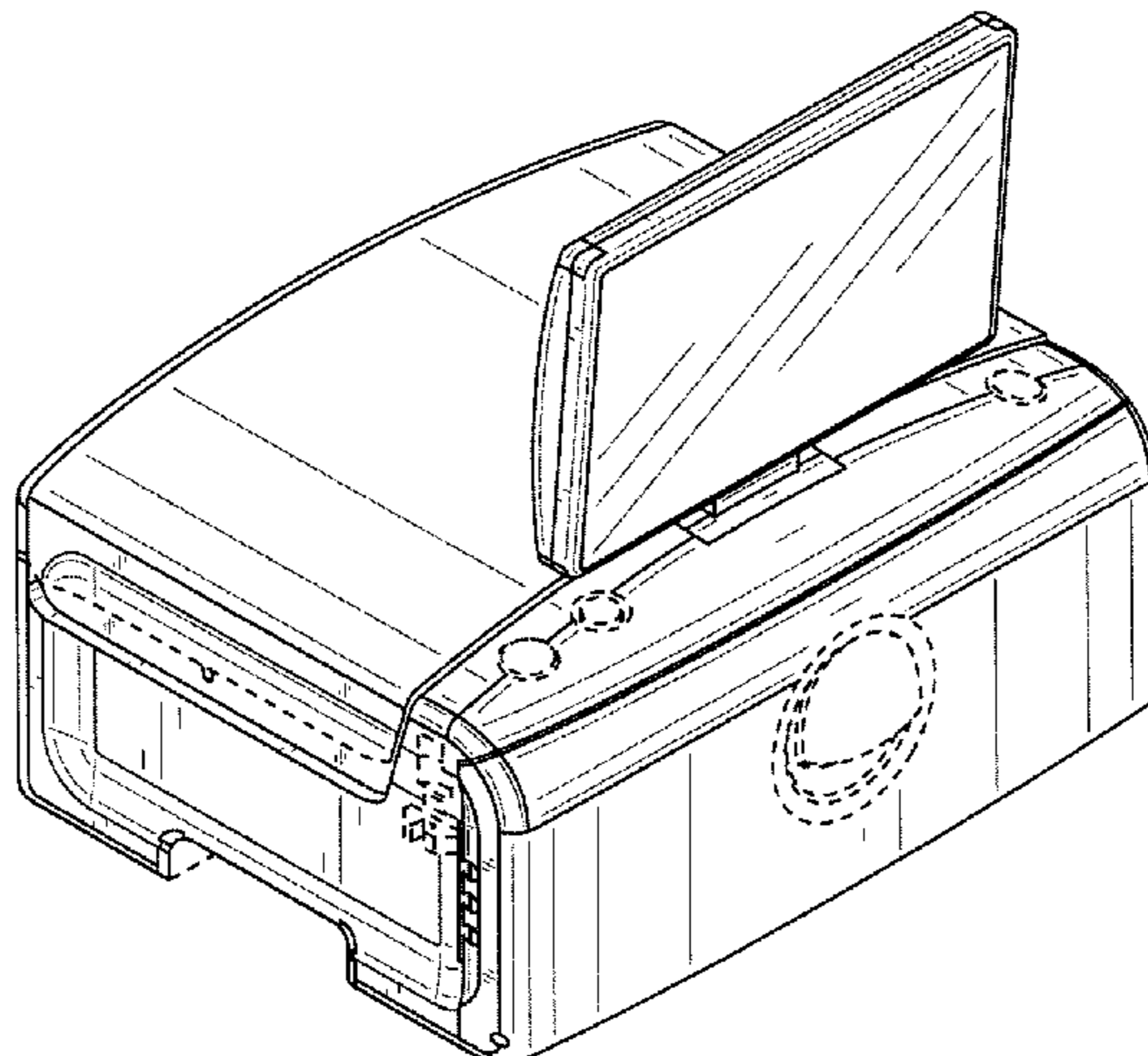
FIG. 7 is a left side view thereof;

FIG. 8 is a right side view thereof; and,

FIG. 9 is a top side view thereof.

The broken lines in the drawing views are included for the purpose of illustrating portions of the dialysis machine that form no part of the claimed design.

1 Claim, 9 Drawing Sheets



US D641,882 S

Page 2

U.S. PATENT DOCUMENTS			
6,070,761	A	6/2000	Bloom et al.
6,210,361	B1	4/2001	Kamen et al.
D556,910	S *	12/2007	Reihanifam et al. D24/169
7,632,080	B2	12/2009	Tracey et al.
7,736,328	B2 *	6/2010	Childers et al. 604/29
7,780,619	B2 *	8/2010	Brugger et al. 210/252
			* cited by examiner

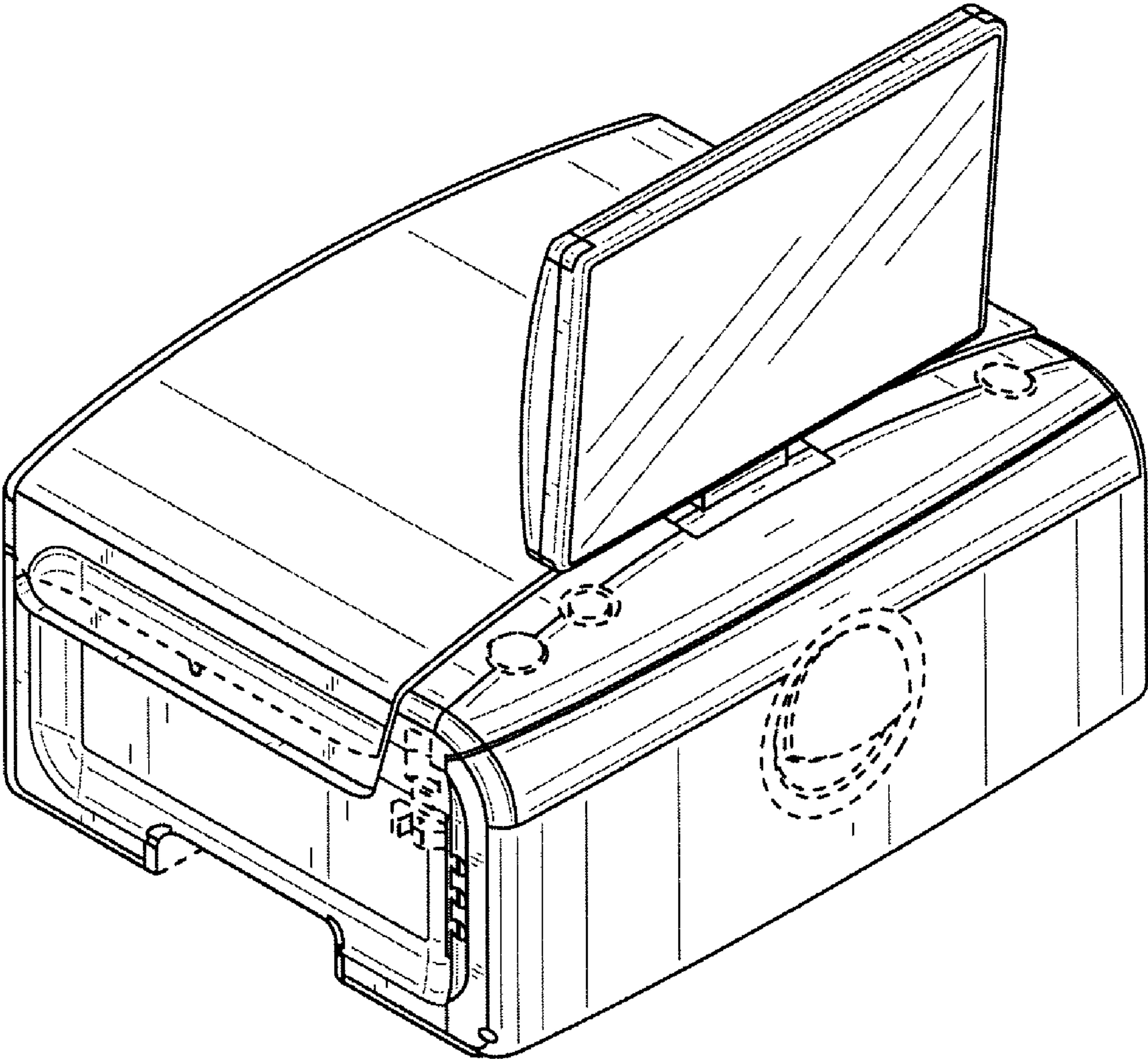


FIG. 1

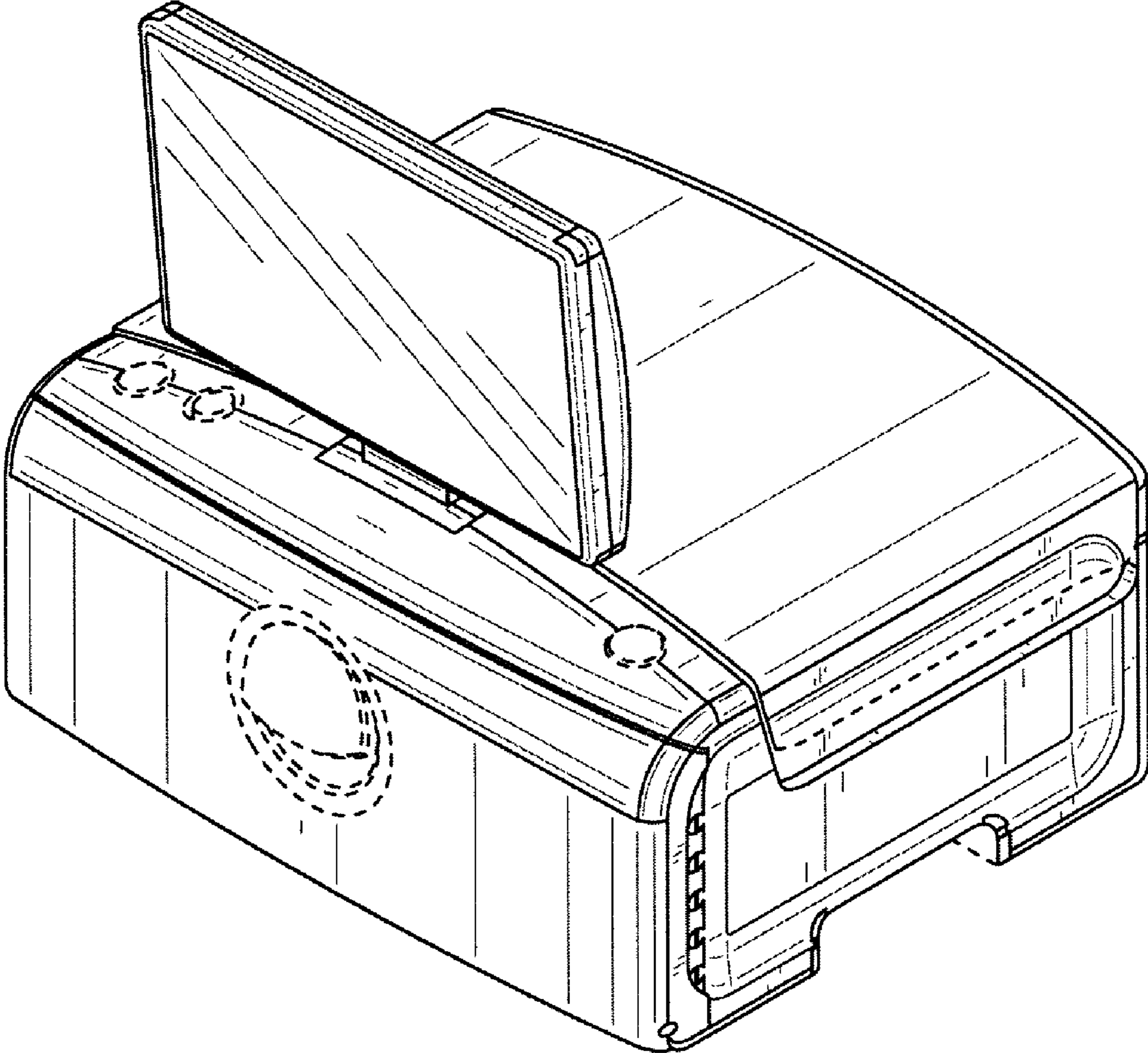


FIG. 2

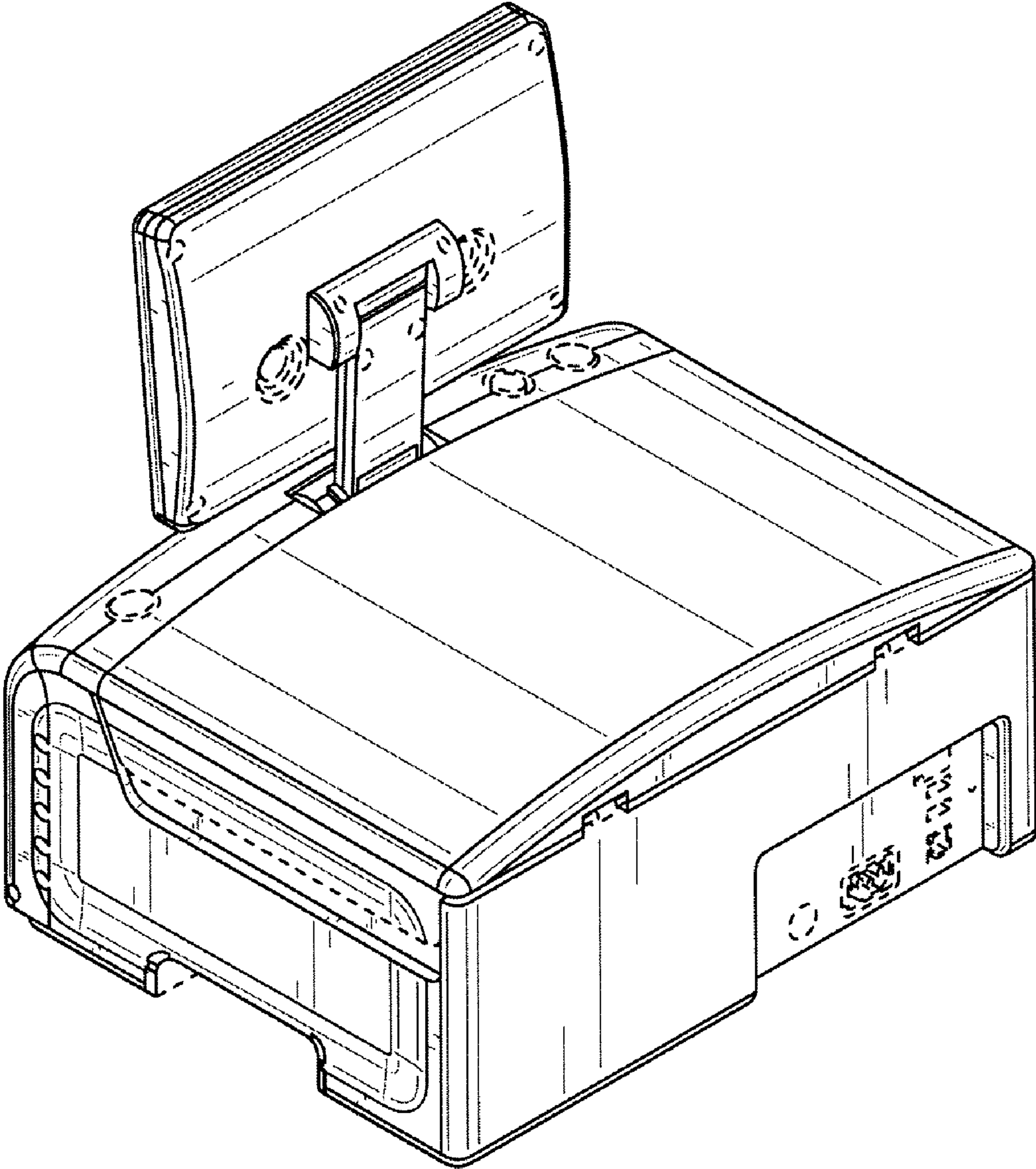


FIG. 3

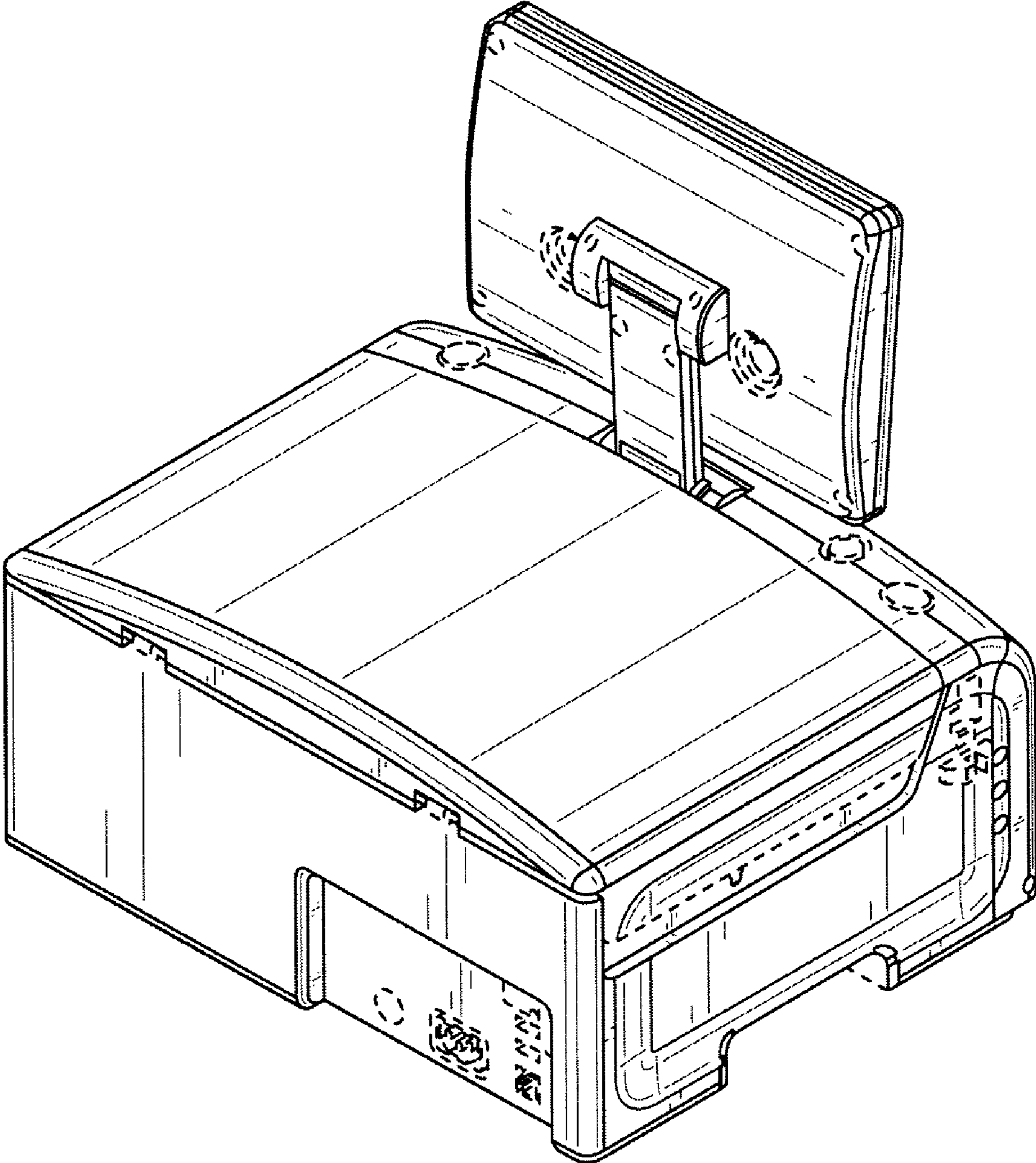


FIG. 4

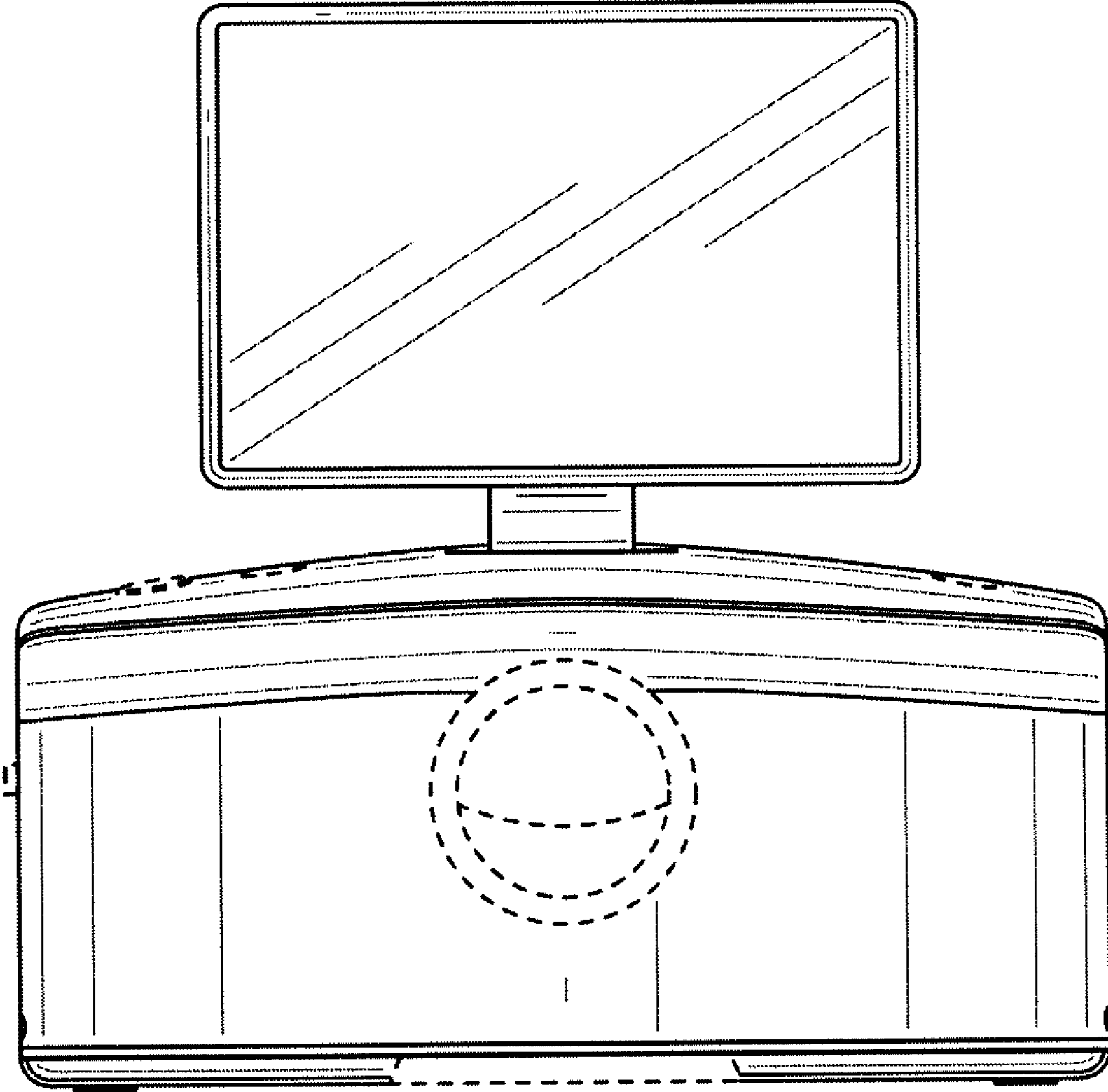


FIG. 5

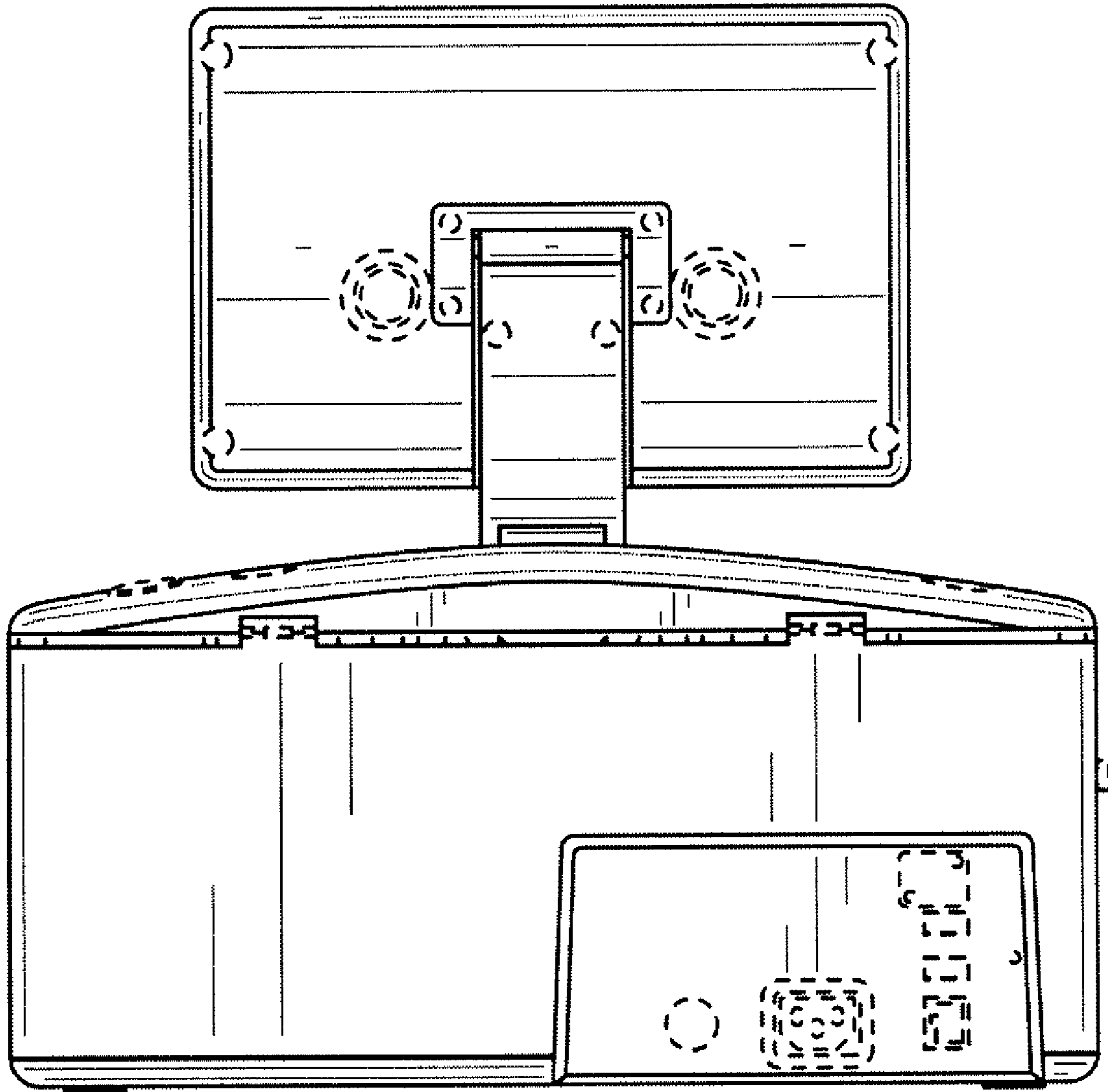


FIG. 6

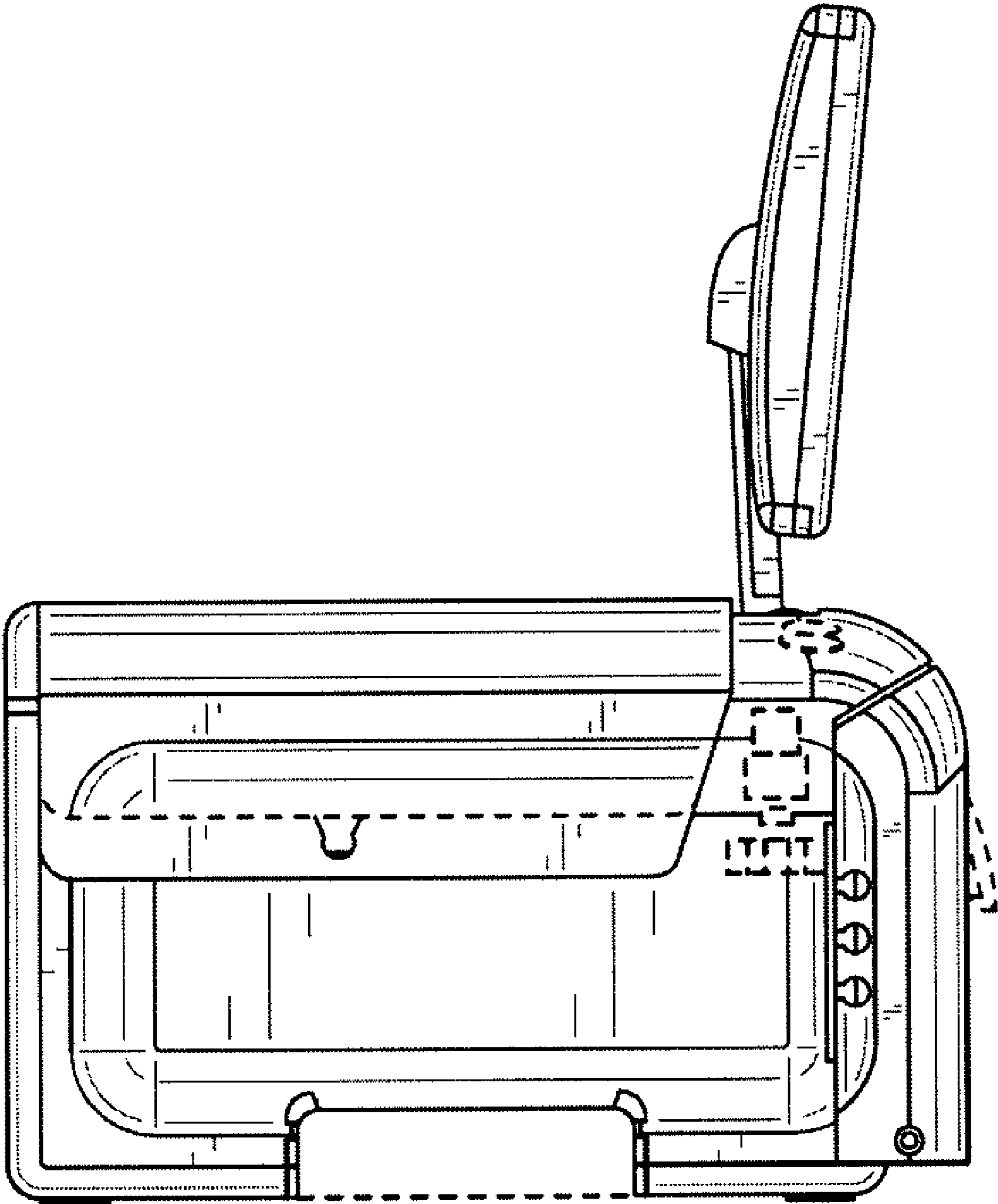


FIG. 7

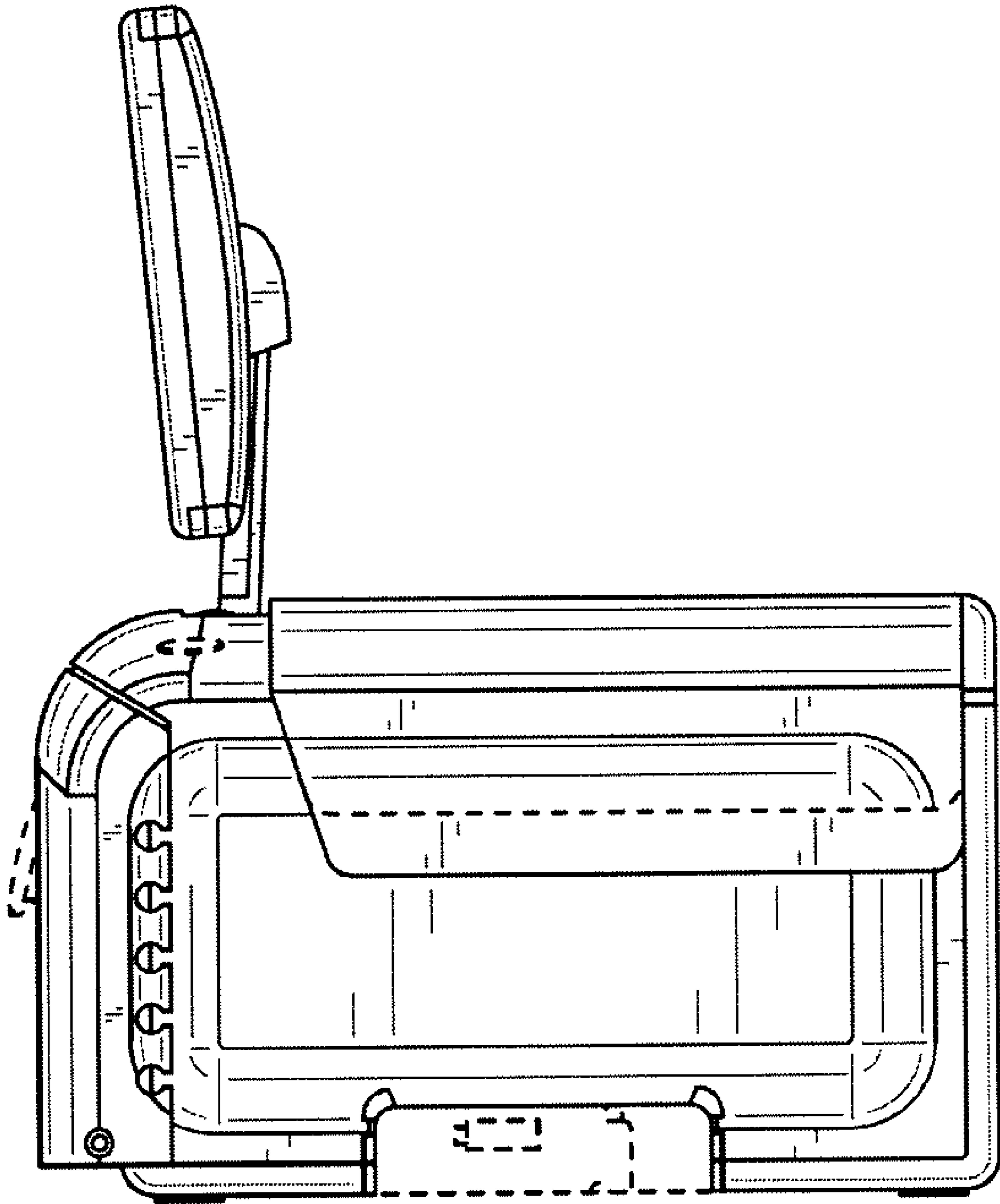


FIG. 8

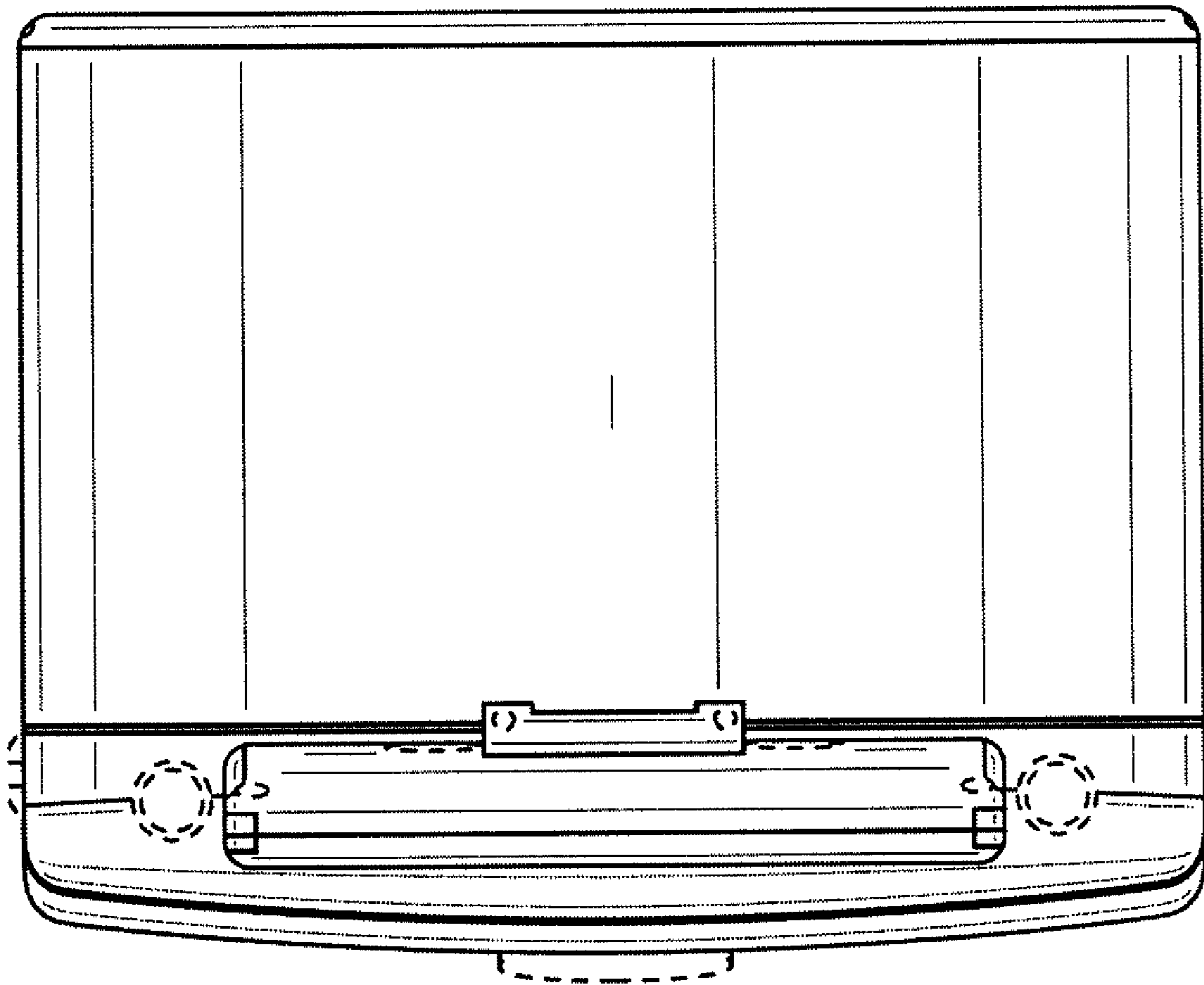


FIG. 9